



US00D908436S

(12) **United States Design Patent** (10) **Patent No.:** **US D908,436 S**
Lu (45) **Date of Patent:** **** Jan. 26, 2021**

(54) **STORAGE BOX**
(71) Applicant: **SHENZHEN PRIME TECHNOLOGY CO., LTD**, Shenzhen (CN)
(72) Inventor: **Chengan Lu**, Shenzhen (CN)
(73) Assignee: **SHENZHEN PRIME TECHNOLOGY CO., LTD**, Shenzhen (CN)
(**) Term: **15 Years**
(21) Appl. No.: **29/749,935**
(22) Filed: **Sep. 10, 2020**
(51) **LOC (13) Cl.** **07-01**
(52) **U.S. Cl.**
USPC **D7/553.2**
(58) **Field of Classification Search**
USPC D3/304, 307, 308, 310, 311, 313, 314, D3/315; D6/672, 673, 675, 683, 683.1; D7/500, 550.1, 553.1, 553.2, 554.3, 555, D7/601, 602
CPC . B65D 1/00; B65D 1/34; A47G 19/02; A47G 19/30; A47G 21/08; A47G 23/06; A47G 23/0608
See application file for complete search history.

D413,442 S * 9/1999 Jacober D3/304
5,992,959 A * 11/1999 Kawamoto G07G 1/0027
312/348.3
D421,554 S * 3/2000 Govrik D6/706
D472,711 S * 4/2003 Chen D3/313
6,695,419 B2 * 2/2004 Searer A47B 88/994
312/348.3
D555,938 S * 11/2007 Brisco D3/313
D595,959 S * 7/2009 Wade D3/319
D605,896 S * 12/2009 Zalewski D7/553.1
D660,086 S * 5/2012 Buchman D7/553.2
D727,623 S * 4/2015 Nickell D3/313
D746,643 S * 1/2016 Kraemer D7/637
D780,846 S * 3/2017 Greenspon D19/77
D783,286 S 4/2017 Silverman
D860,649 S 9/2019 Li
D876,092 S 2/2020 Guo
D884,073 S * 5/2020 Tsai D19/92
2019/0254340 A1 * 8/2019 Espinoza A24F 15/10

* cited by examiner

Primary Examiner — Kelley A Donnelly

(57) **CLAIM**

The ornamental design for a storage box, as shown and described.

DESCRIPTION

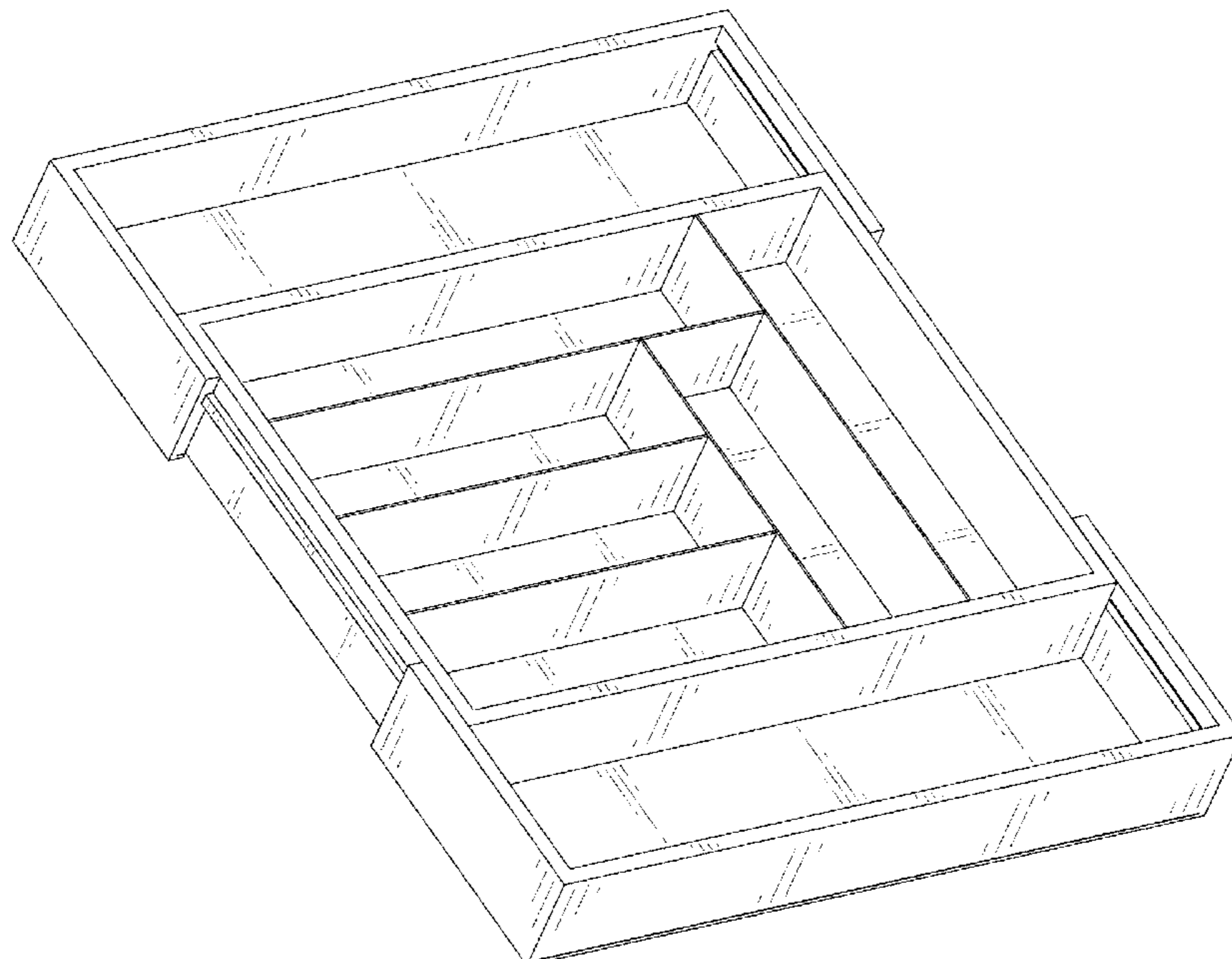
FIG. 1 is a perspective view of a storage box showing my new design;
FIG. 2 is another perspective view thereof;
FIG. 3 is a front elevational view thereof;
FIG. 4 is a rear elevational view thereof;
FIG. 5 is a left side elevational view thereof;
FIG. 6 is a right side elevational view thereof;
FIG. 7 is a top plan view thereof;
FIG. 8 is a bottom plan view thereof; and,
FIG. 9 is a perspective view of the storage box where the storage box is in a configuration of use.

1 Claim, 9 Drawing Sheets

(56) **References Cited**

U.S. PATENT DOCUMENTS

1,777,483 A * 10/1930 Copeman F25C 1/24
249/127
D253,628 S * 12/1979 Adamson D7/553.2
D298,079 S * 10/1988 Chatham D3/308
D380,299 S * 7/1997 Schlaeger D3/310
D397,274 S * 8/1998 Hise D7/637



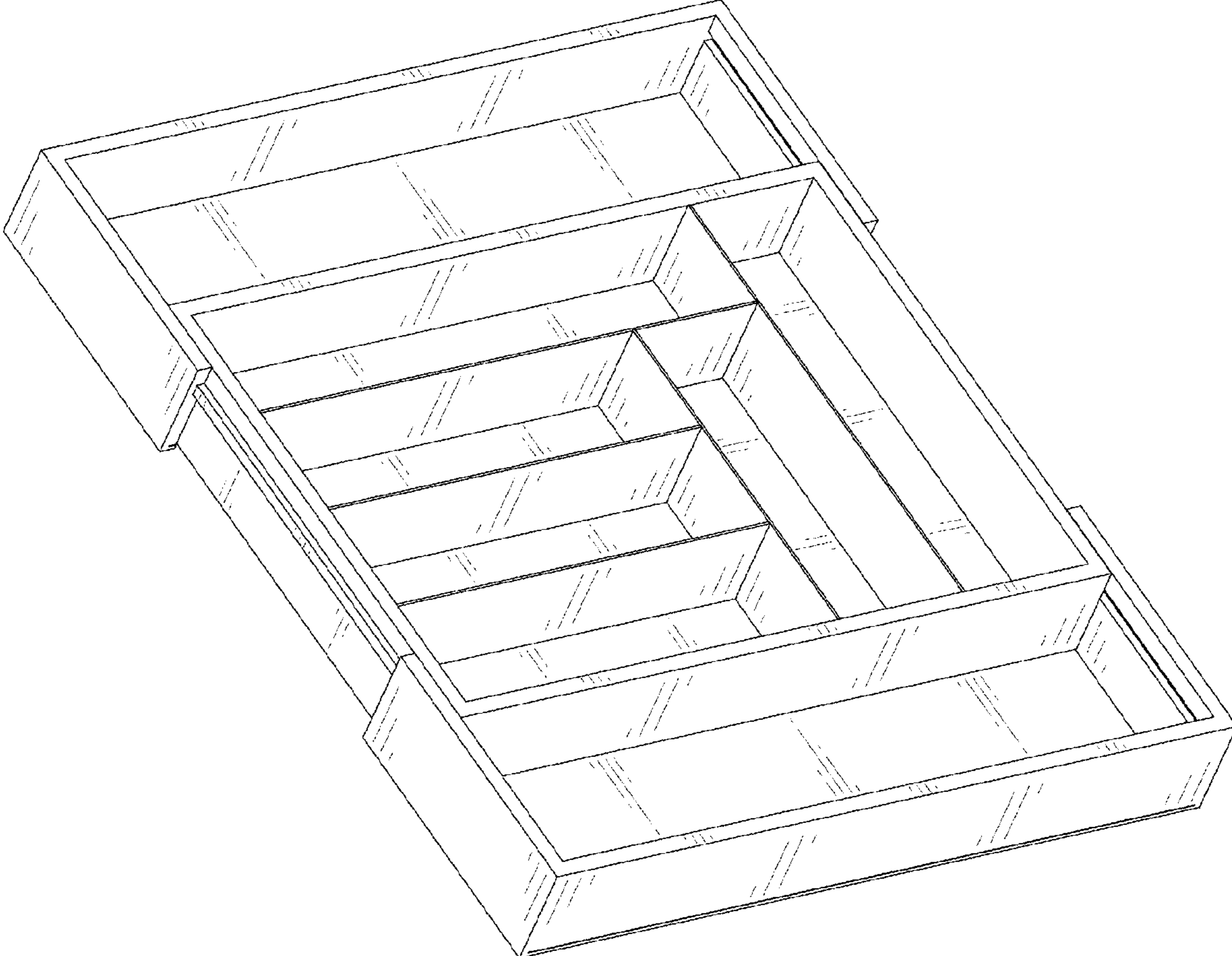


FIG. 1

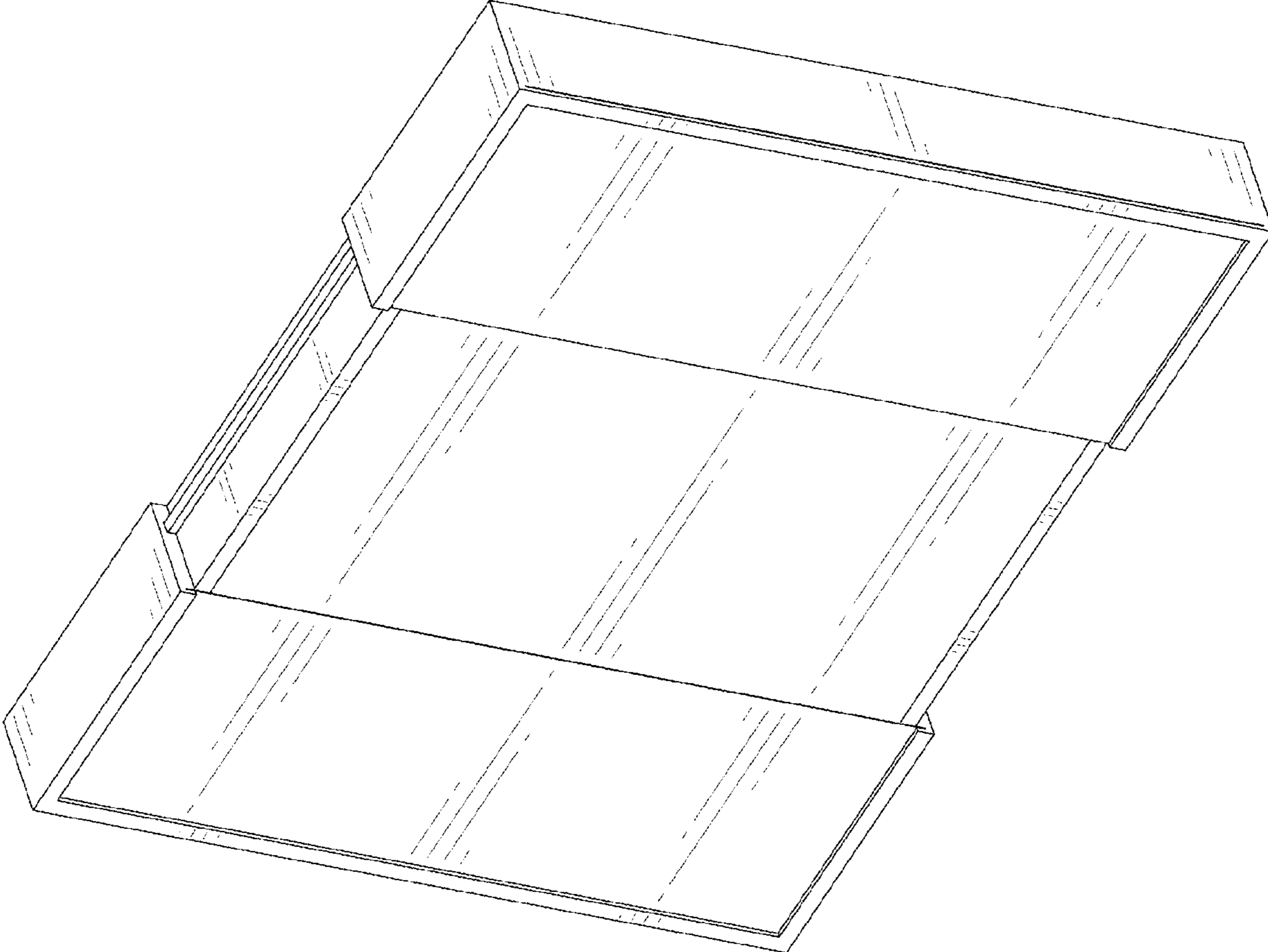


FIG. 2

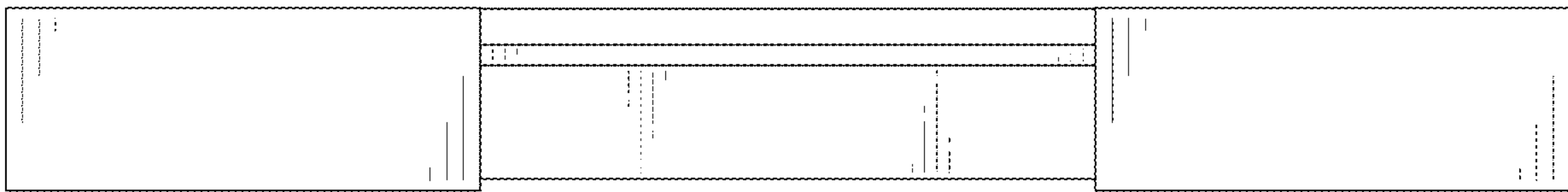


FIG. 3

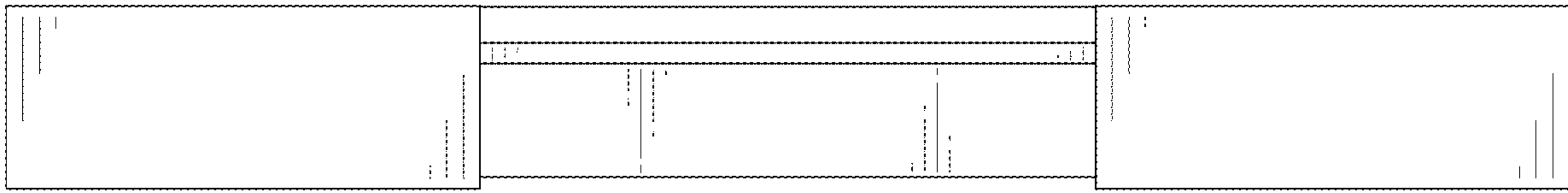


FIG. 4

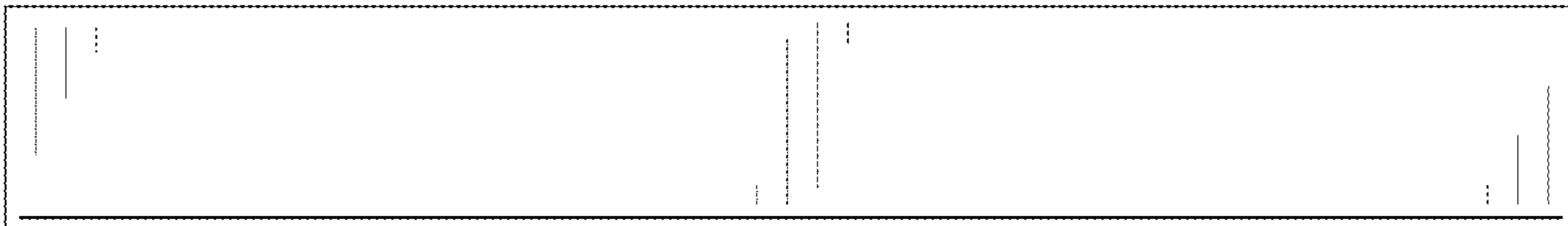


FIG. 5

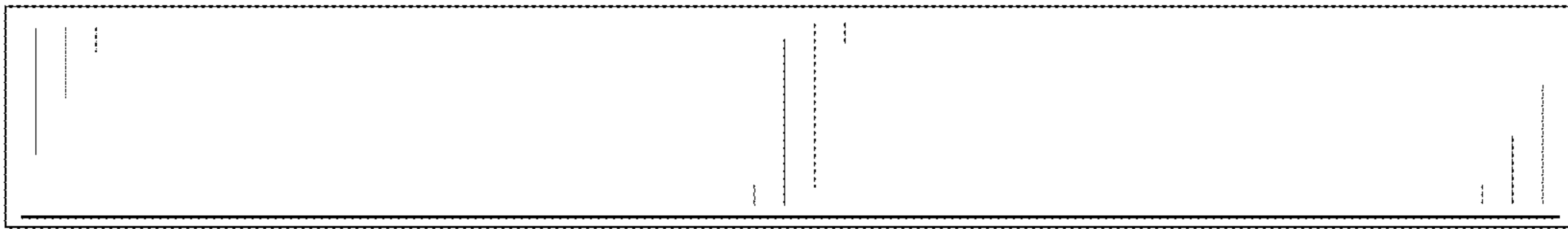


FIG. 6

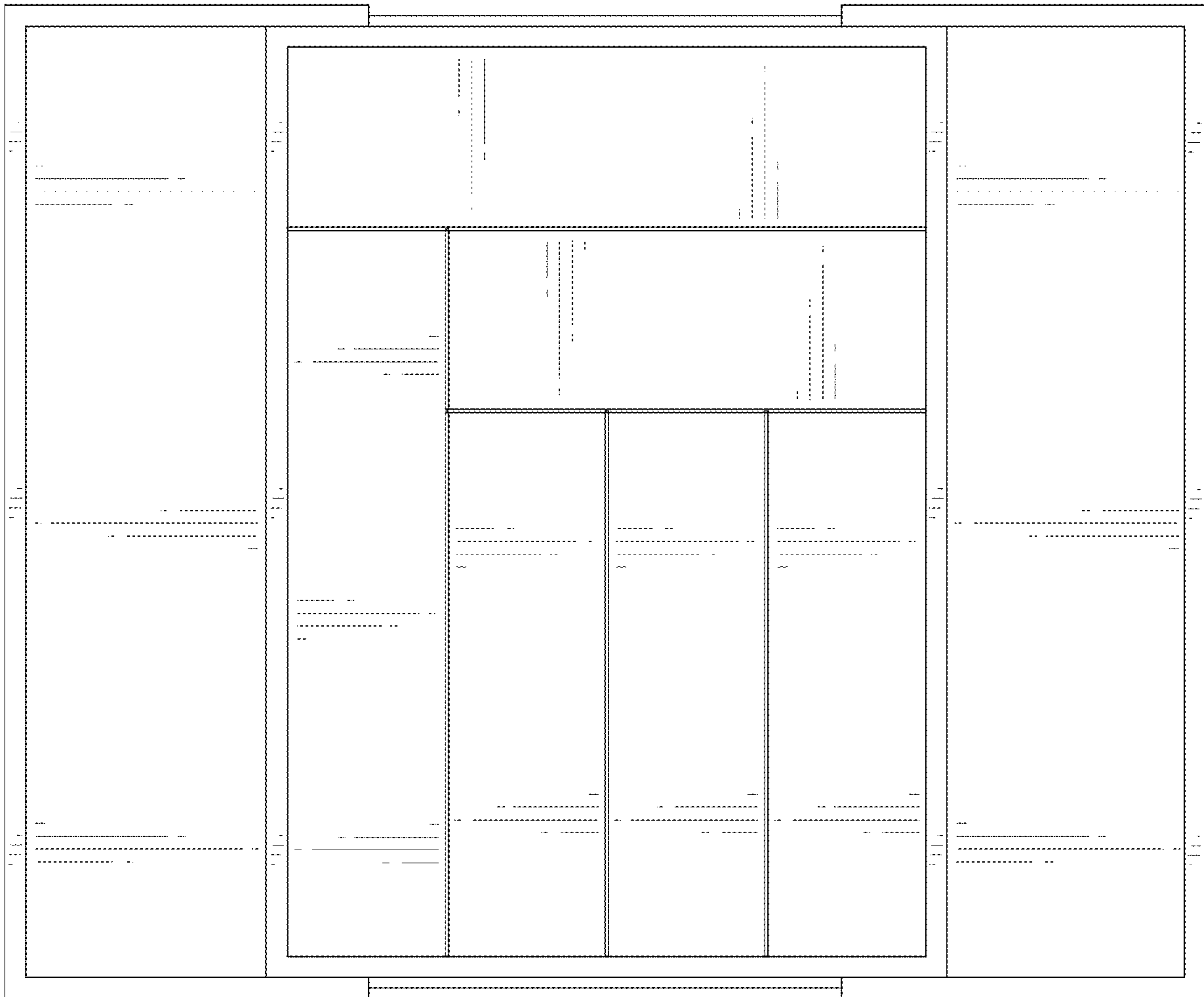


FIG. 7

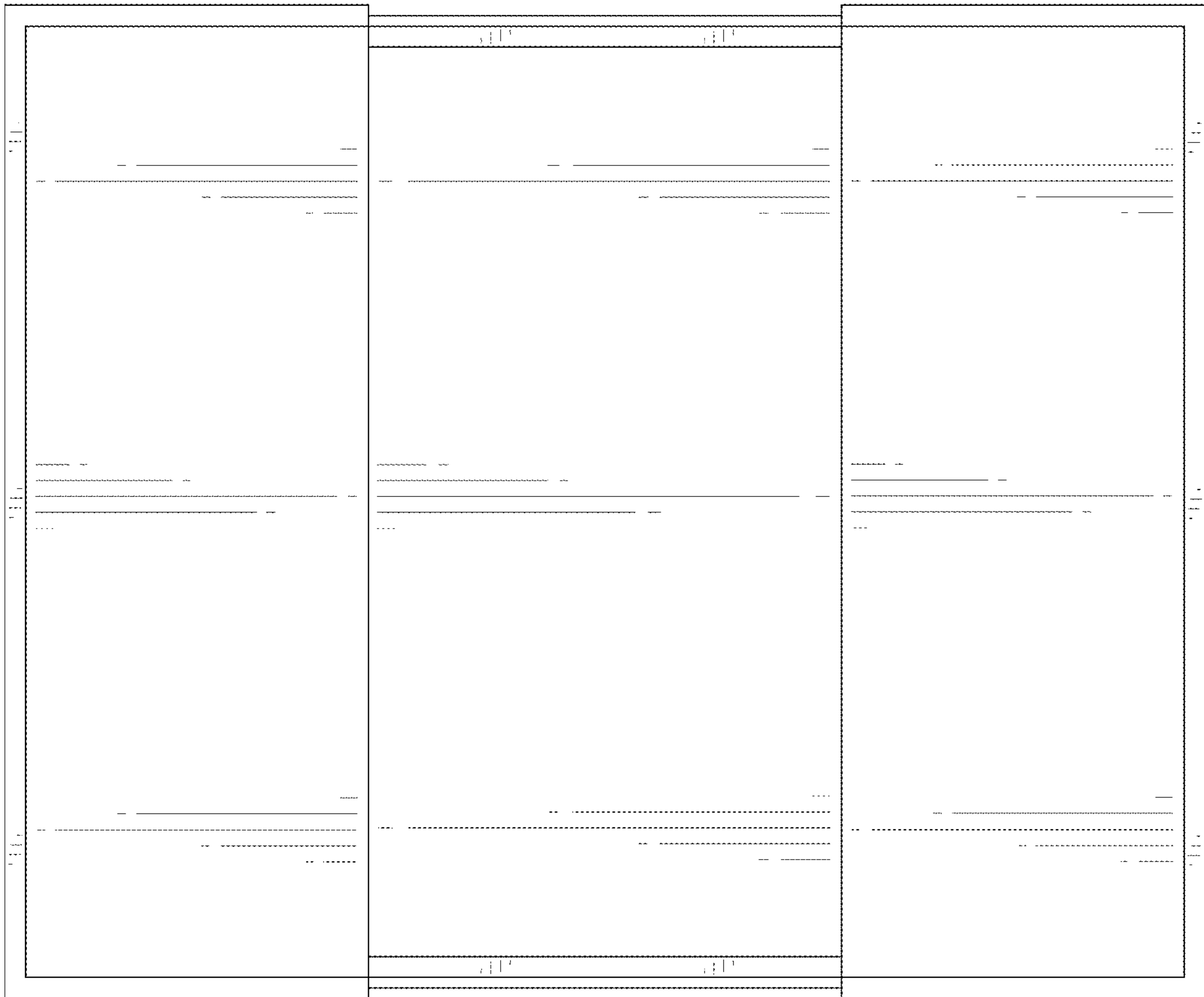


FIG. 8

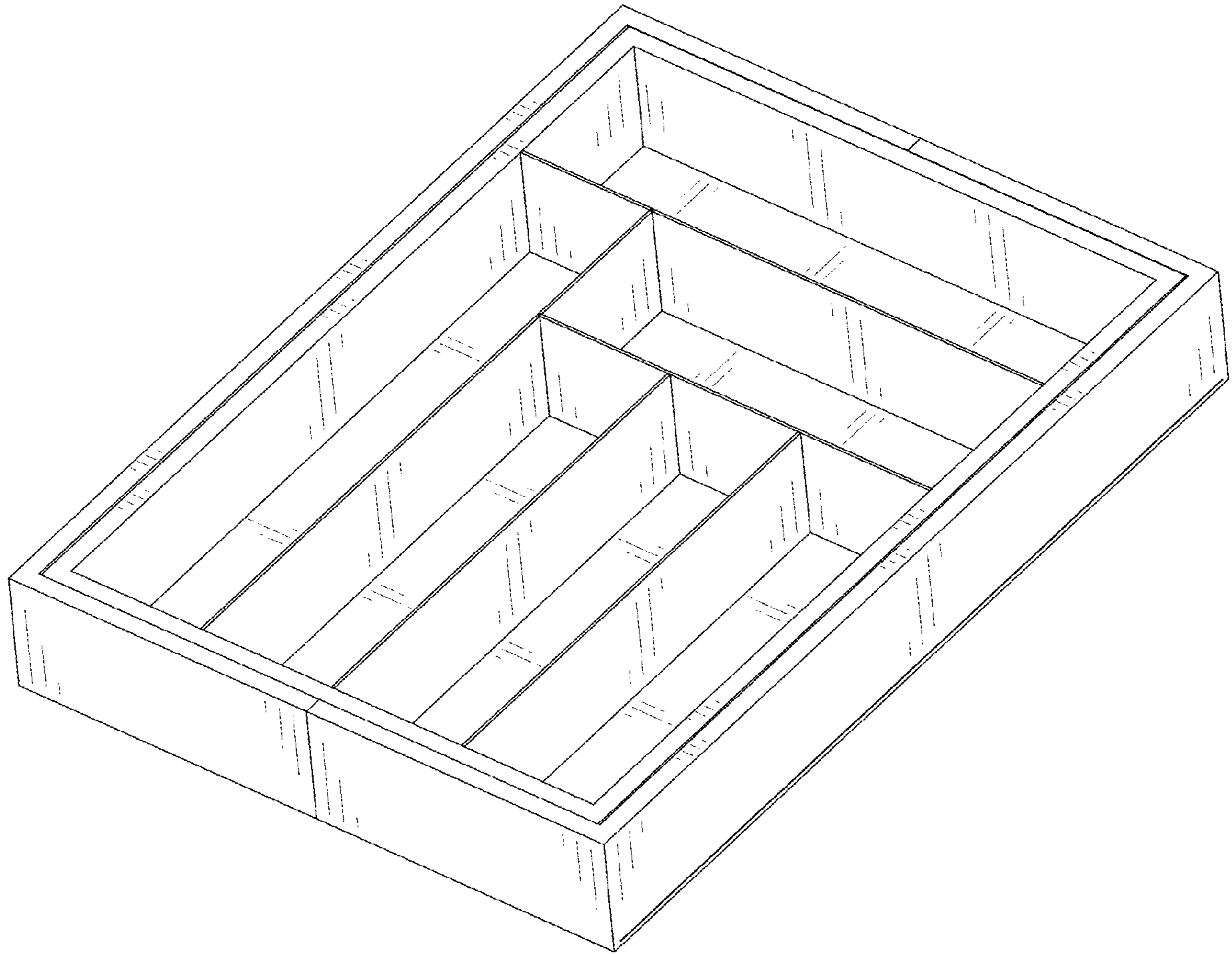


FIG. 9