



US00D908435S

(12) **United States Design Patent**  
**DeYang**

(10) **Patent No.:** **US D908,435 S**

(45) **Date of Patent:** **\*\* \*Jan. 26, 2021**

(54) **FOOD TRAY ASSEMBLY**

(71) Applicant: **Luan DeYang**, Shenyang (CN)

(72) Inventor: **Luan DeYang**, Shenyang (CN)

(\*) Notice: This patent is subject to a terminal disclaimer.

(\*\*) Term: **15 Years**

(21) Appl. No.: **29/682,913**

(22) Filed: **Mar. 8, 2019**

(51) **LOC (13) Cl.** ..... **07-01**

(52) **U.S. Cl.**

USPC ..... **D7/552.1**

(58) **Field of Classification Search**

USPC ..... D7/550.1, 701, 396.1, 396.2, 500, 526,  
D7/553.5, 552.1, 301, 302, 306, 553.8,  
D7/558, 554.3, 553.2, 553.4, 553.6,  
D7/553.3, 587, 600.1, 501, 505;  
D27/109; D9/544, 545, 455; D24/227;  
206/370; D6/309; D3/5, 16, 6  
CPC .... A47G 23/06; A47G 23/0641; A47G 23/08;  
A47G 23/0208; A47G 23/065; A47G  
23/0633; G07D 9/002; G07D 9/02; G07D  
9/00

See application file for complete search history.

(56) **References Cited**

**U.S. PATENT DOCUMENTS**

2,047,835 A \* 7/1936 Prew ..... B21D 53/74  
294/172  
D226,446 S \* 3/1973 Wilton ..... D7/507  
D235,300 S \* 6/1975 Mountain ..... D7/505  
D235,301 S \* 6/1975 Mountain ..... A47G 19/10  
D7/505  
D250,439 S \* 12/1978 Holstein ..... D6/525  
D267,848 S \* 2/1983 Dowling ..... D7/505  
4,525,882 A \* 7/1985 Stenberg ..... A47K 3/004  
108/137  
D373,798 S \* 9/1996 Yang ..... D6/570

D375,658 S \* 11/1996 Reichert ..... D7/505  
D383,806 S \* 9/1997 Yang ..... 446/475  
D574,189 S \* 8/2008 Stamper ..... D7/505  
D575,582 S \* 8/2008 Geens ..... B60N 3/002  
D7/505  
D601,381 S \* 10/2009 Stamper ..... A61L 2/26  
D7/505

(Continued)

**FOREIGN PATENT DOCUMENTS**

DE 102010010667 A1 \* 7/2011 ..... A47G 23/0633  
FR 002653982 A1 \* 5/1991 ..... A47G 23/0625

**OTHER PUBLICATIONS**

Royal Craft Wood, Luxury Bathtub Caddy Tray, Jan. 2018, Amazon.com. <https://www.amazon.com/Royal-Craft-Wood-Bathtub-Natural/dp/B01C4IS4Q2/> (Year: 2018).\*

(Continued)

*Primary Examiner* — Shannon W Morgan

*Assistant Examiner* — Arva P Adams

(74) *Attorney, Agent, or Firm* — Dinsmore & Shohl LLP

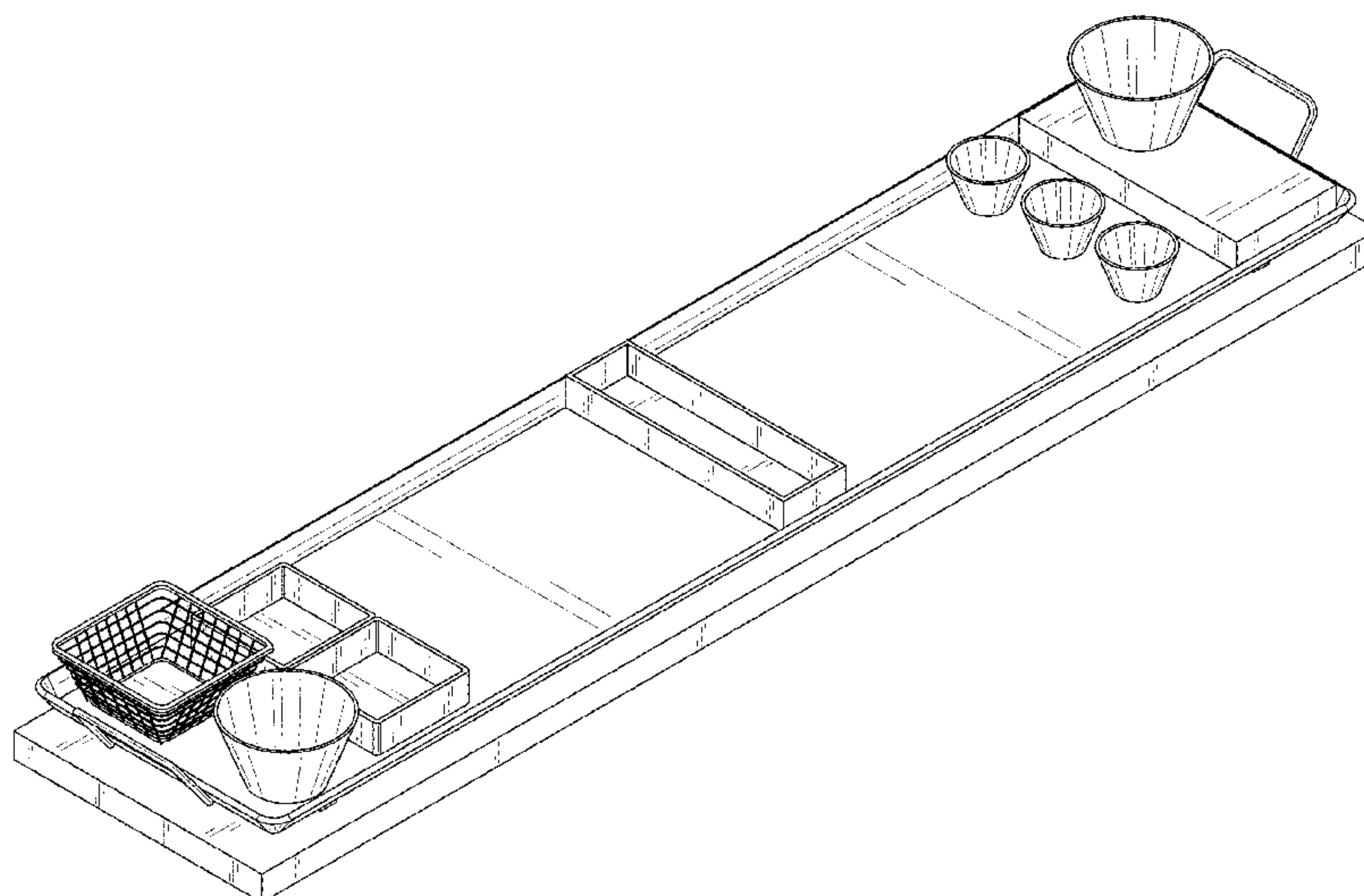
(57) **CLAIM**

The ornamental design for a food tray assembly, as shown and described.

**DESCRIPTION**

FIG. 1 is a top perspective view of a food tray assembly illustrating my new design;  
FIG. 2 is a side view of the design of FIG. 1;  
FIG. 3 is a side view of the design of FIG. 1;  
FIG. 4 is an end view of the design of FIG. 1;  
FIG. 5 is an end view of the design of FIG. 1;  
FIG. 6 is a top view of the design of FIG. 1;  
FIG. 7 is a bottom view of the design of FIG. 1; and,  
FIG. 8 is a top perspective view of the design of FIG. 1.

**1 Claim, 7 Drawing Sheets**



(56)

**References Cited**

U.S. PATENT DOCUMENTS

D608,150 S \* 1/2010 Lilly ..... B65D 1/28  
D7/552.1  
D615,822 S \* 5/2010 Klein ..... D7/392.1  
7,905,353 B2 \* 3/2011 Baker ..... B65D 1/28  
206/370  
7,966,949 B2 \* 6/2011 Willey ..... B60N 3/002  
108/25  
7,992,714 B1 \* 8/2011 Devault ..... A47G 19/10  
206/564  
D658,943 S \* 5/2012 Galinski ..... D7/505  
8,272,508 B2 \* 9/2012 Bettenhausen ..... A61L 2/26  
206/370  
D735,531 S \* 8/2015 Wilson ..... D7/505

OTHER PUBLICATIONS

Belmint, Bambusi Bathtub Caddy Tray, Dec. 2018, Overstock.com.  
<https://www.overstock.com/Bedding-Bath/Bambusi-Bathtub-Caddy-Tray-with-Book-and-Wine-Holder-Spa-Relaxing-Bath/23607866/product.html> (Year: 2018).\*

\* cited by examiner

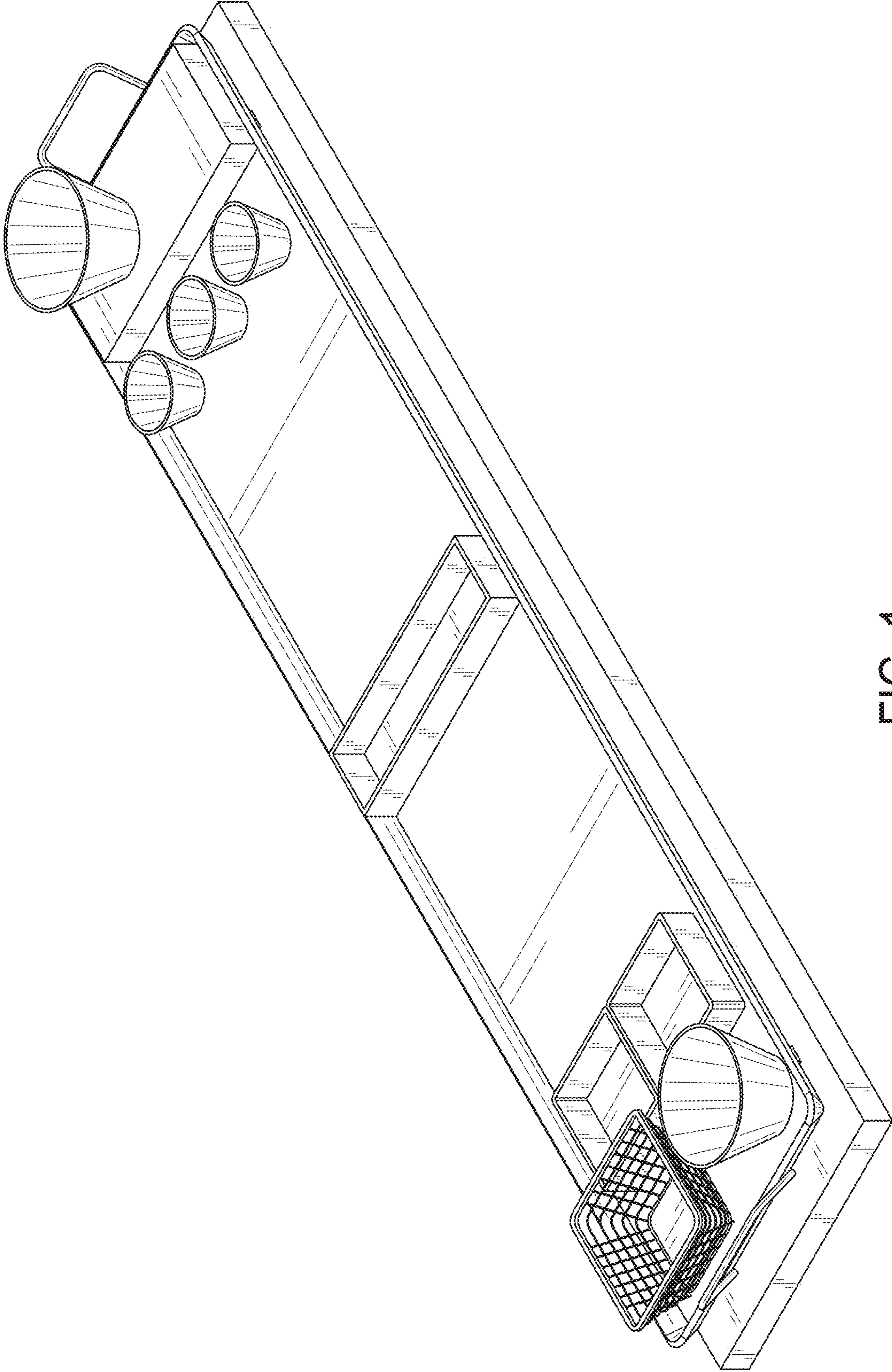


FIG. 1

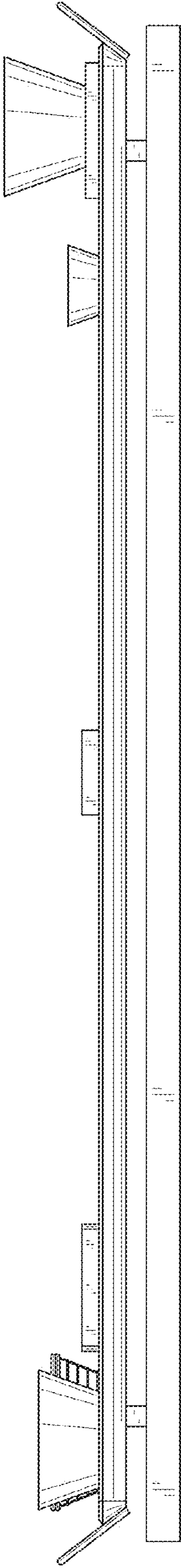


FIG. 2



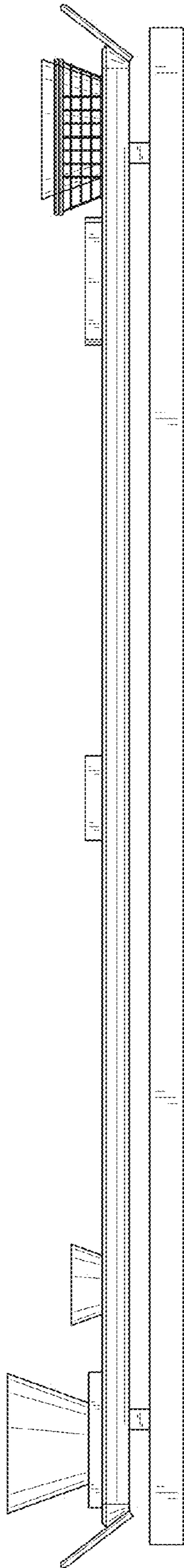


FIG. 3

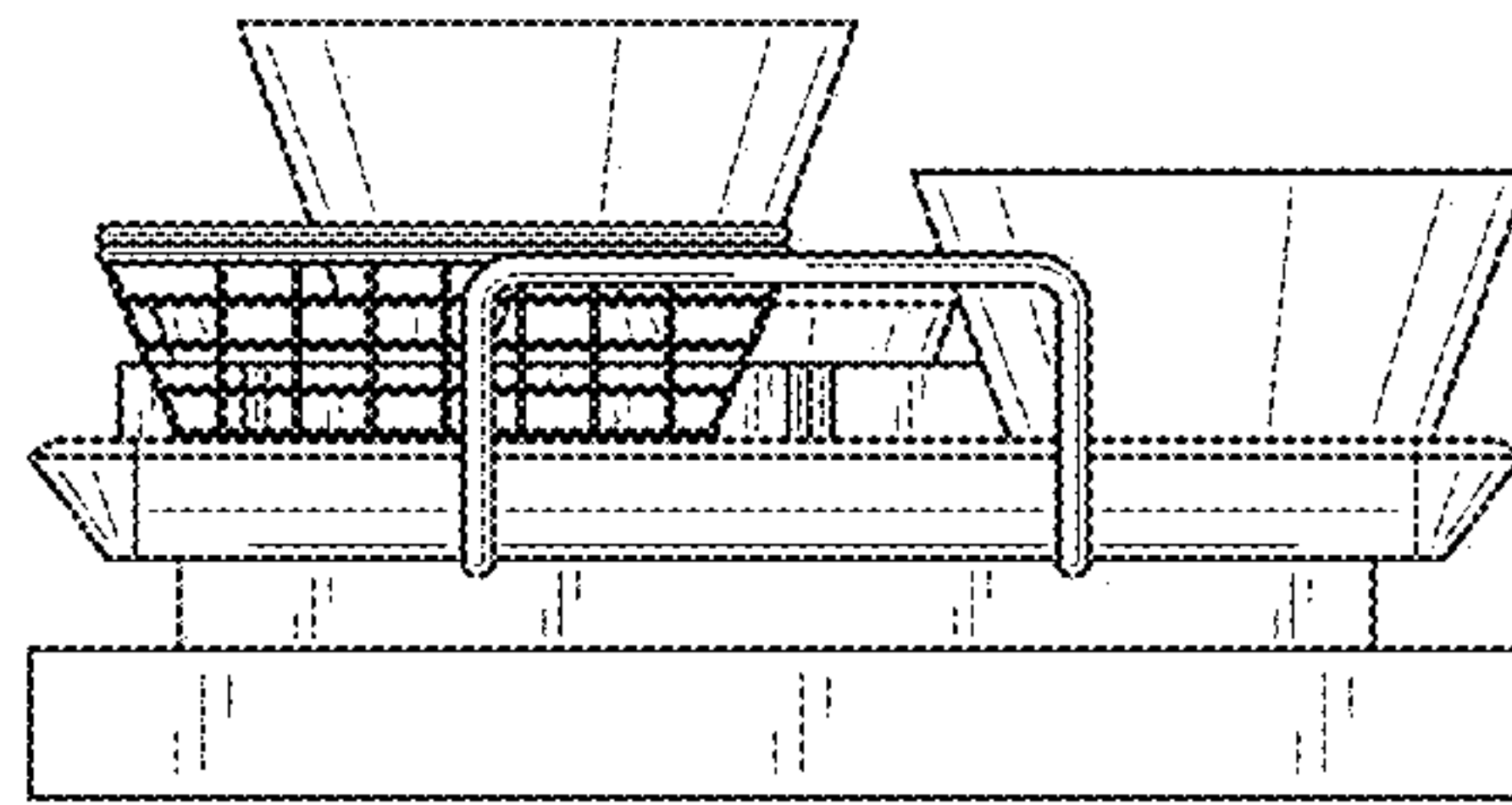


FIG. 4

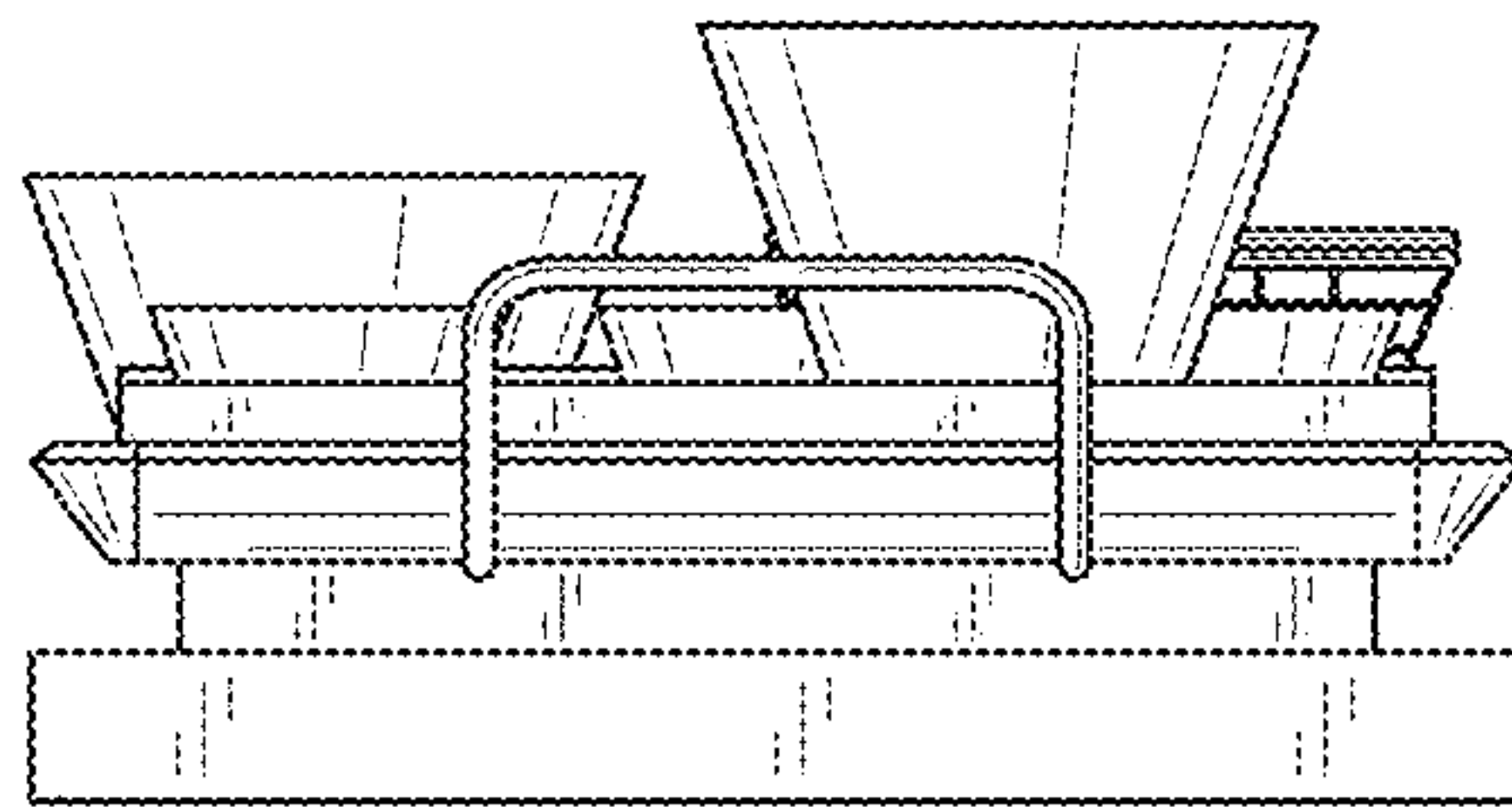


FIG. 5

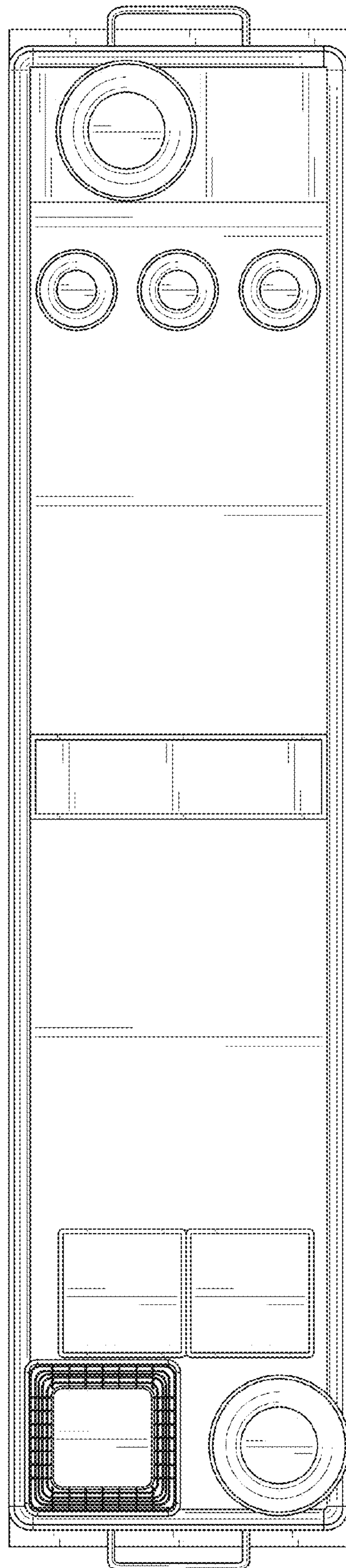


FIG. 6

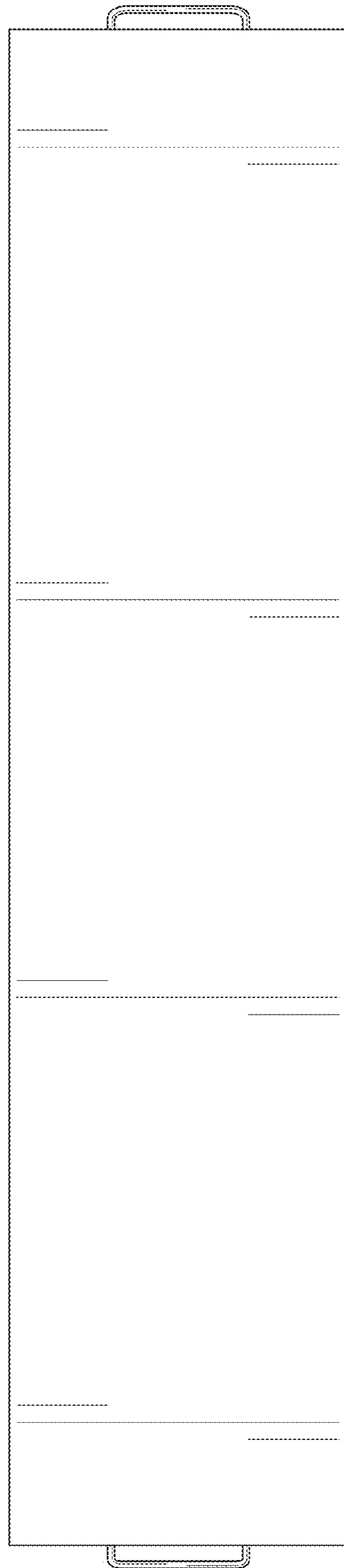


FIG. 7



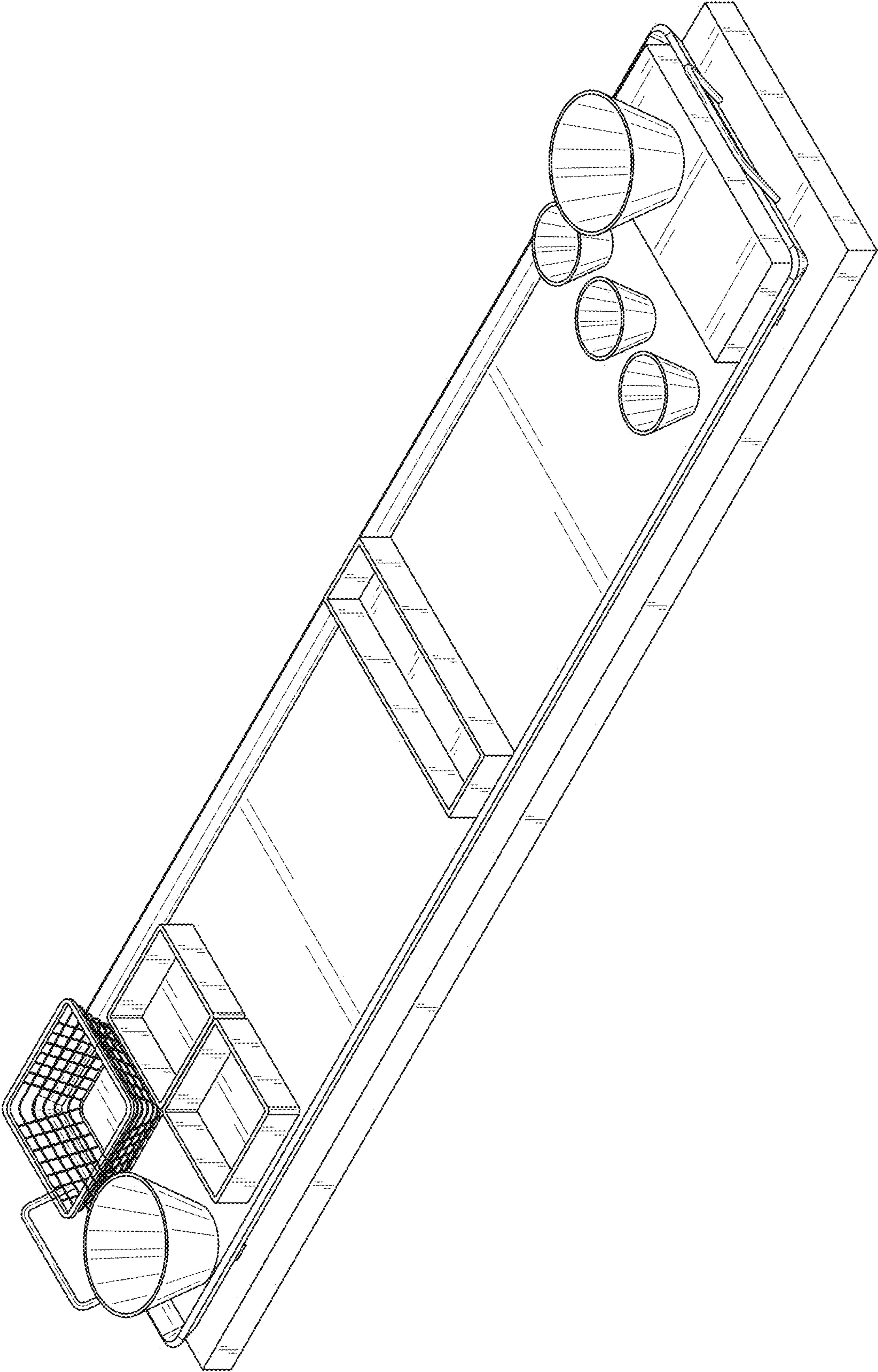


FIG. 8