



US00D908433S

(12) **United States Design Patent** (10) **Patent No.:** **US D908,433 S**
Sapire et al. (45) **Date of Patent:** **** Jan. 26, 2021**

(54) **VESSEL WITH SLEEVE AND LID**
(71) Applicant: **Beast Health, LLC**, Pacific Palisades, CA (US)
(72) Inventors: **Colin Sapire**, Pacific Palisades, CA (US); **Benjamin Bangser**, Los Angeles, CA (US); **Gregory Thune**, Los Angeles, CA (US)
(73) Assignee: **Beast Health, LLC**, Pacific Palisades, CA (US)

5,261,558 A * 11/1993 Claydon B21D 51/2646
220/671
D368,035 S * 3/1996 Ahern, Jr. D9/556
D373,706 S * 9/1996 Gregg D7/511
D437,233 S * 2/2001 Gibert D9/556
D447,957 S * 9/2001 Lichtman D9/556
D489,987 S * 5/2004 Ogata D9/774
D522,879 S * 6/2006 Chadfield D9/727
D534,433 S * 1/2007 Chadfield D9/723
D583,627 S * 12/2008 Kortleven D7/509
D592,455 S * 5/2009 Germann D7/510
D622,604 S * 8/2010 Wheeler D9/556
D661,198 S * 6/2012 Duecker D9/556
D662,827 S * 7/2012 Watabe D9/529

(Continued)

(**) Term: **15 Years**

(21) Appl. No.: **29/704,005**

(22) Filed: **Aug. 30, 2019**

(51) **LOC (13) Cl.** **07-01**

(52) **U.S. Cl.**
USPC **D7/531**; D7/511; D9/556

(58) **Field of Classification Search**
USPC D7/507, 509, 510, 511, 513, 529, 531, D7/532, 523, 533, 534, 535, 536, 392.1, D7/296.1, 396.2, 300.1, 608, 300, 320, D7/624.1, 624.2; D3/202; D9/501, 502, D9/503, 504, 530, 529, 522, 554, 567, D9/571, 569, 449, 516, 523, 524, 543, D9/565, 575, 556
CPC A47G 19/22; A47G 19/2288; A47G 19/2205; A47G 19/2211; A47J 41/0077; A45F 3/16

See application file for complete search history.

(56) **References Cited**

U.S. PATENT DOCUMENTS

D49,420 S * 7/1916 Curtiss D7/608
D68,873 S * 11/1925 Rosenstein D9/556
D100,112 S * 6/1936 McIntosh D9/545
D202,072 S * 8/1965 Hunter D7/608
D222,340 S * 10/1971 Weekman D9/556

OTHER PUBLICATIONS

https://www.amazon.com/dp/B07XJ6SYRM/ref=sbl_dp_x_B01B0PS1RM_0?th=1 (Year: 2020).*

(Continued)

Primary Examiner — Jae Liang

(74) *Attorney, Agent, or Firm* — Alston & Bird LLP

(57) **CLAIM**

I claim the ornamental design for a vessel with sleeve and lid, as shown and described.

DESCRIPTION

FIG. 1 is a top perspective view of a vessel with sleeve and lid.

FIG. 2 is a bottom perspective view thereof.

FIG. 3 is a front view thereof, the rear view being a mirror image.

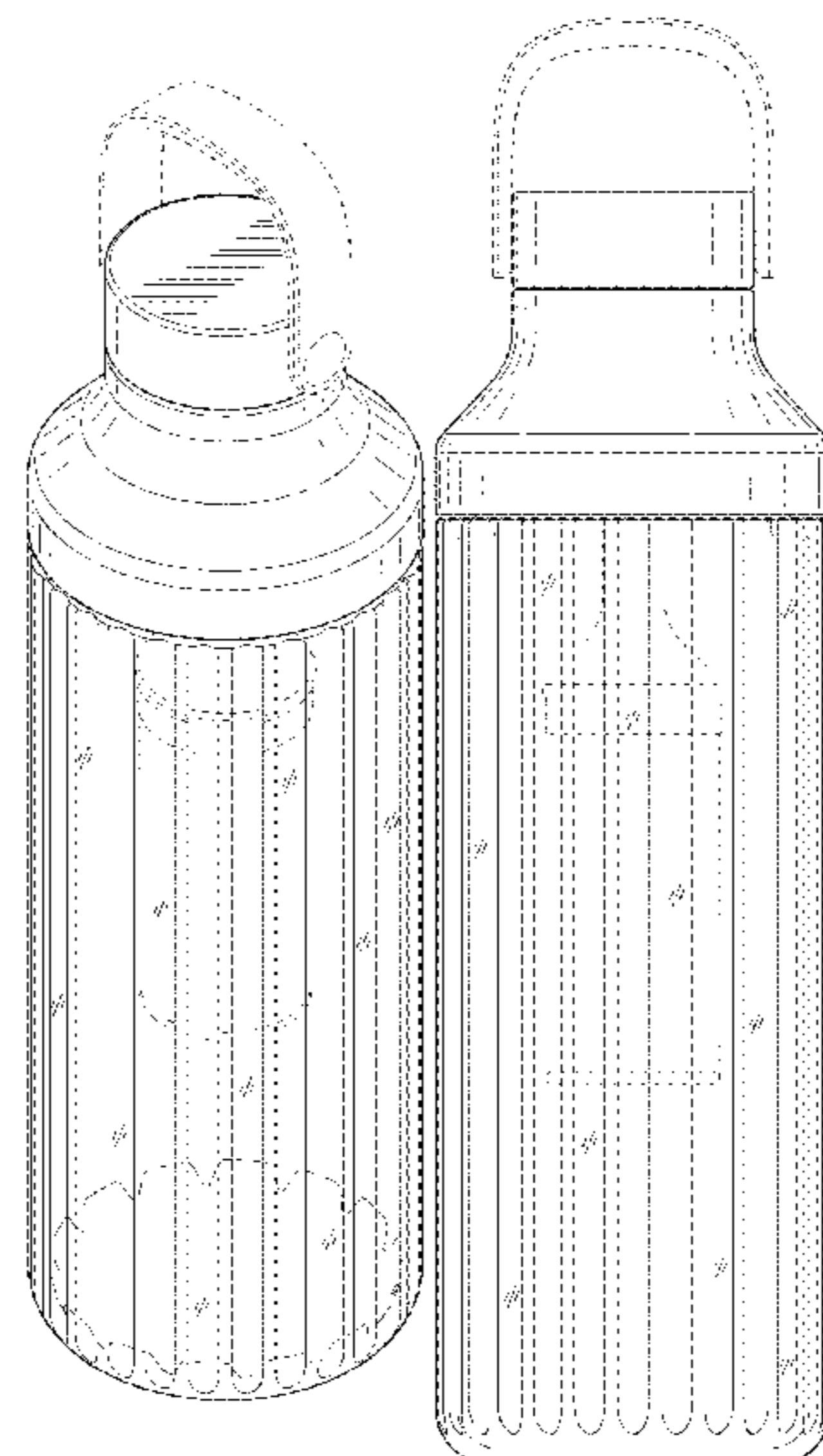
FIG. 4 is a right side elevation view thereof, the left side elevation view being a mirror image.

FIG. 5 is a top plan view thereof; and,

FIG. 6 is a bottom view thereof.

The broken lines shown depict portions of the vessel with sleeve and lid that form no part of the claimed design.

1 Claim, 3 Drawing Sheets



(56)

References Cited

U.S. PATENT DOCUMENTS

D696,945 S * 1/2014 Newman D9/500
D723,333 S * 3/2015 Lin D7/511
D724,385 S * 3/2015 Hurley D7/511
D740,073 S * 10/2015 Zorovich D7/531
D786,012 S * 5/2017 Hein D7/396.2
D799,967 S * 10/2017 Wade D9/500
D812,428 S * 3/2018 Wu D7/510
D827,447 S * 9/2018 Prinz D9/611
D829,101 S * 9/2018 Spivey D9/504
D832,650 S * 11/2018 Diebel D7/511
D851,996 S * 6/2019 Umholtz D7/511
D857,456 S * 8/2019 Bell D7/511
D861,430 S * 10/2019 Yueh D7/507
D878,868 S * 3/2020 Pisarevsky D7/511
D885,823 S * 6/2020 Ayres D7/392
D885,836 S * 6/2020 Wang D7/510
2016/0159538 A1 * 6/2016 Michie A45F 3/16
215/306
2016/0270602 A1 * 9/2016 Casey B65B 29/10
2017/0224140 A1 * 8/2017 Vertegaal G06F 1/1601

OTHER PUBLICATIONS

https://www.amazon.com/Brita-Premium-Filtering-Bottle-Filter/dp/B07H1R7M45/ref=sr_1_35?dchild=1&keywords=transparent+water+bottle+with+opaque+top&qid=1601043907&s=home-garden&sr=1-35 (Year: 2018).*

* cited by examiner

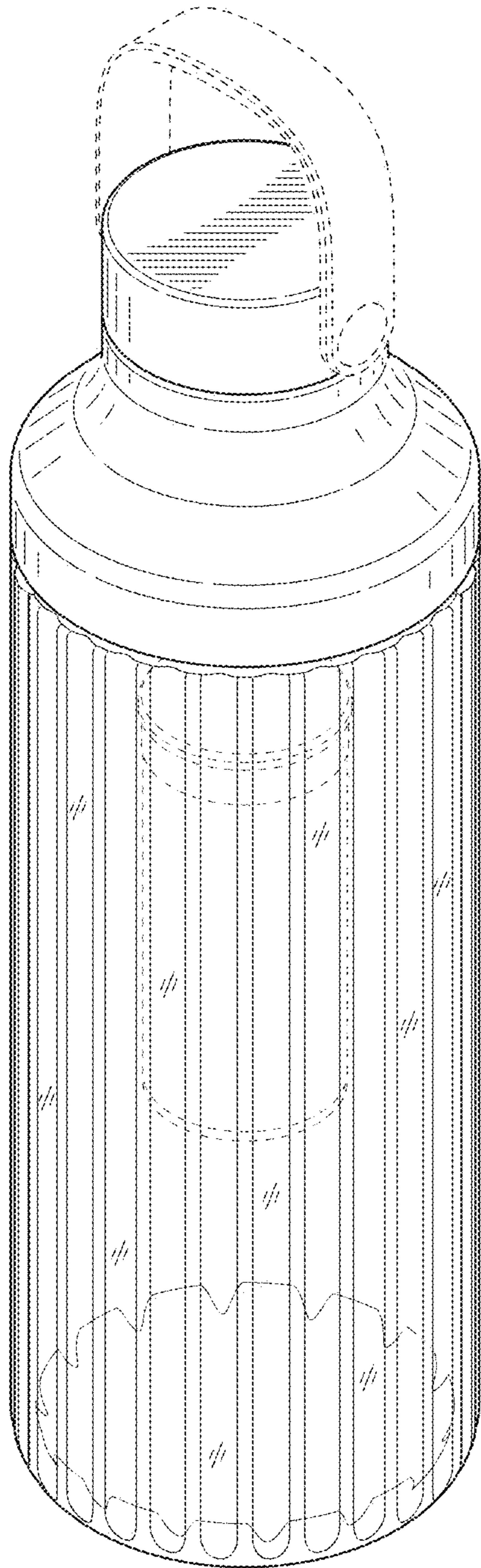


FIG. 1

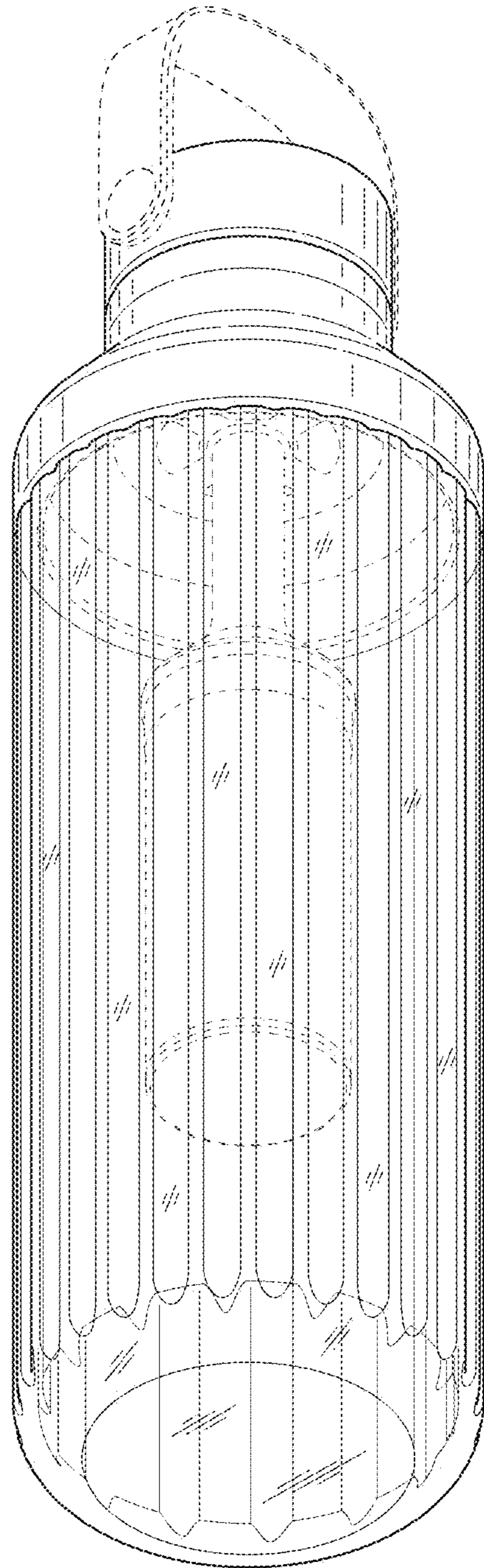


FIG. 2

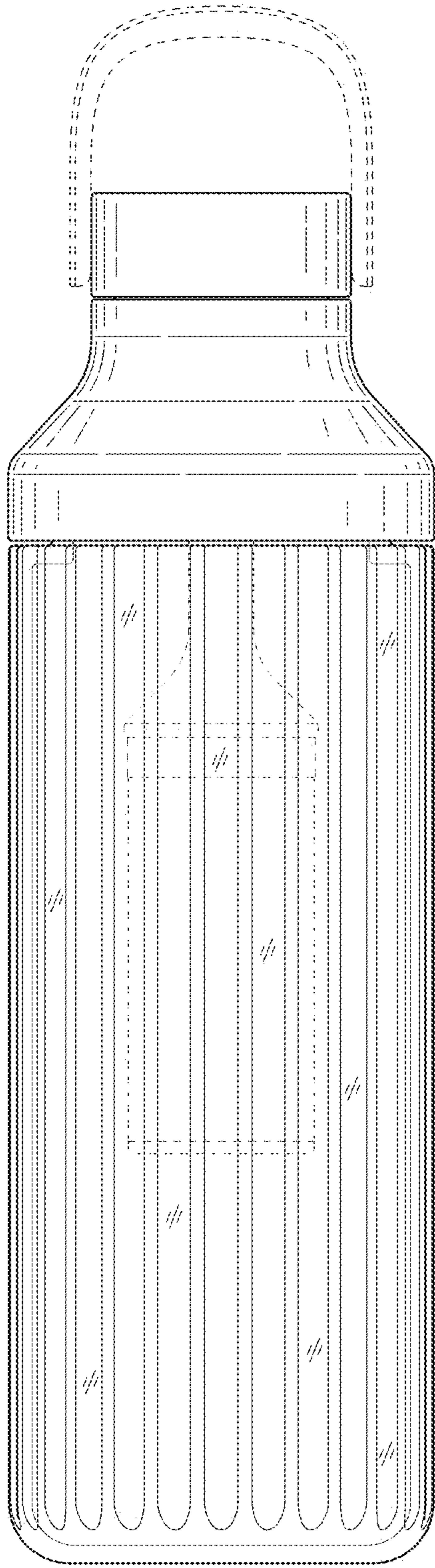


FIG. 3

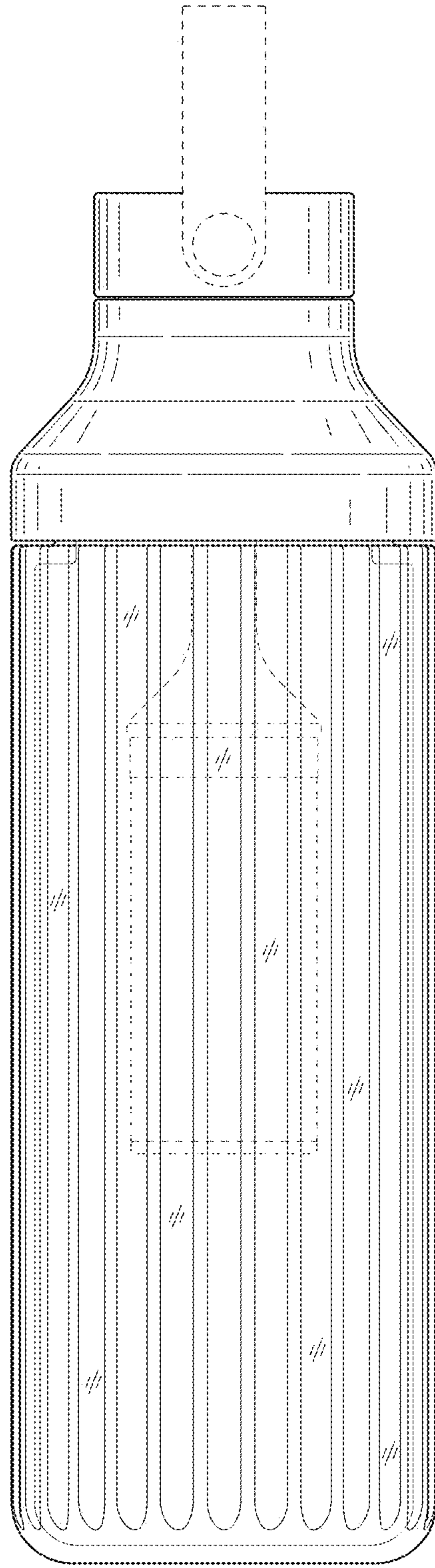


FIG. 4

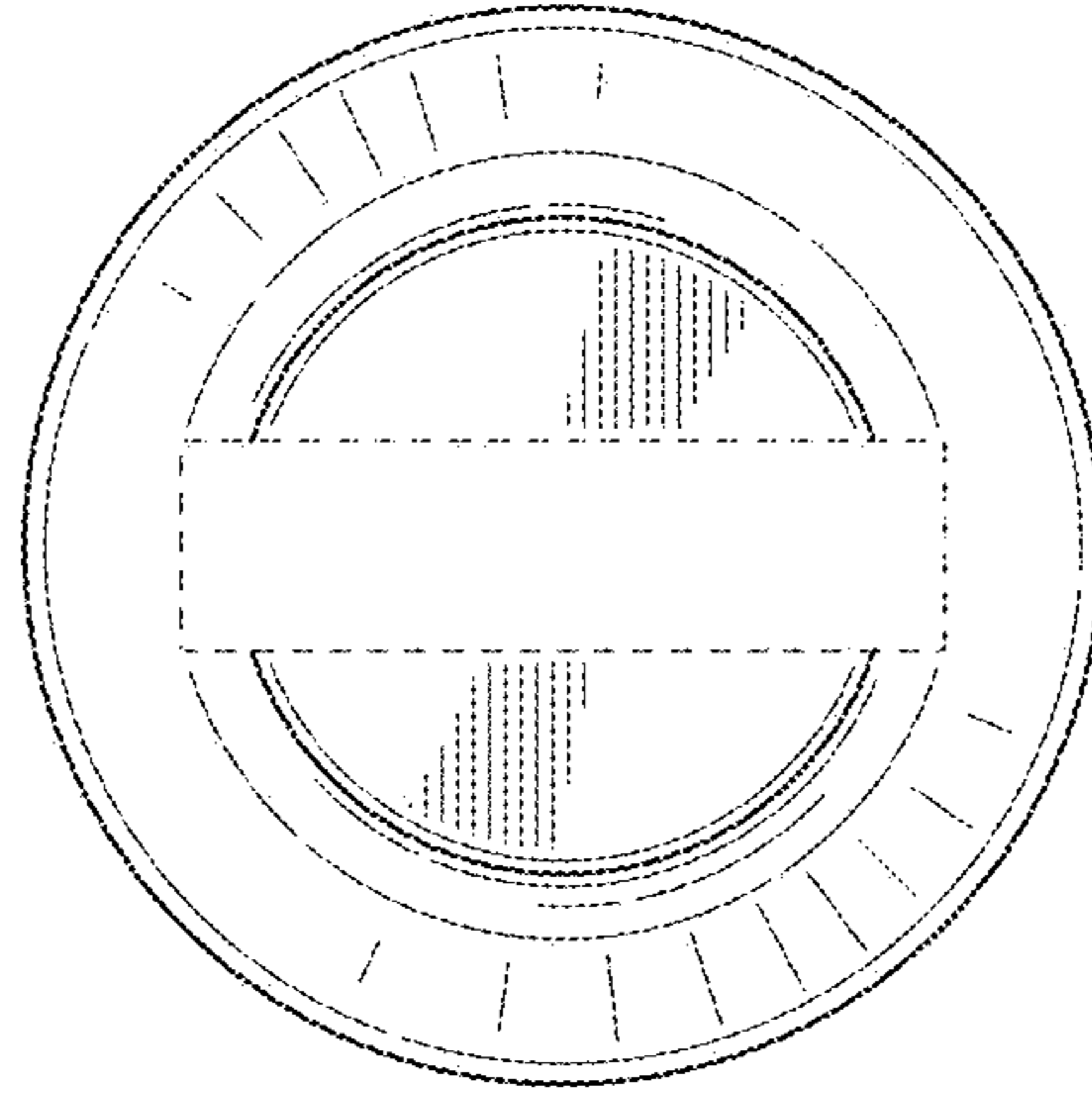


FIG. 5

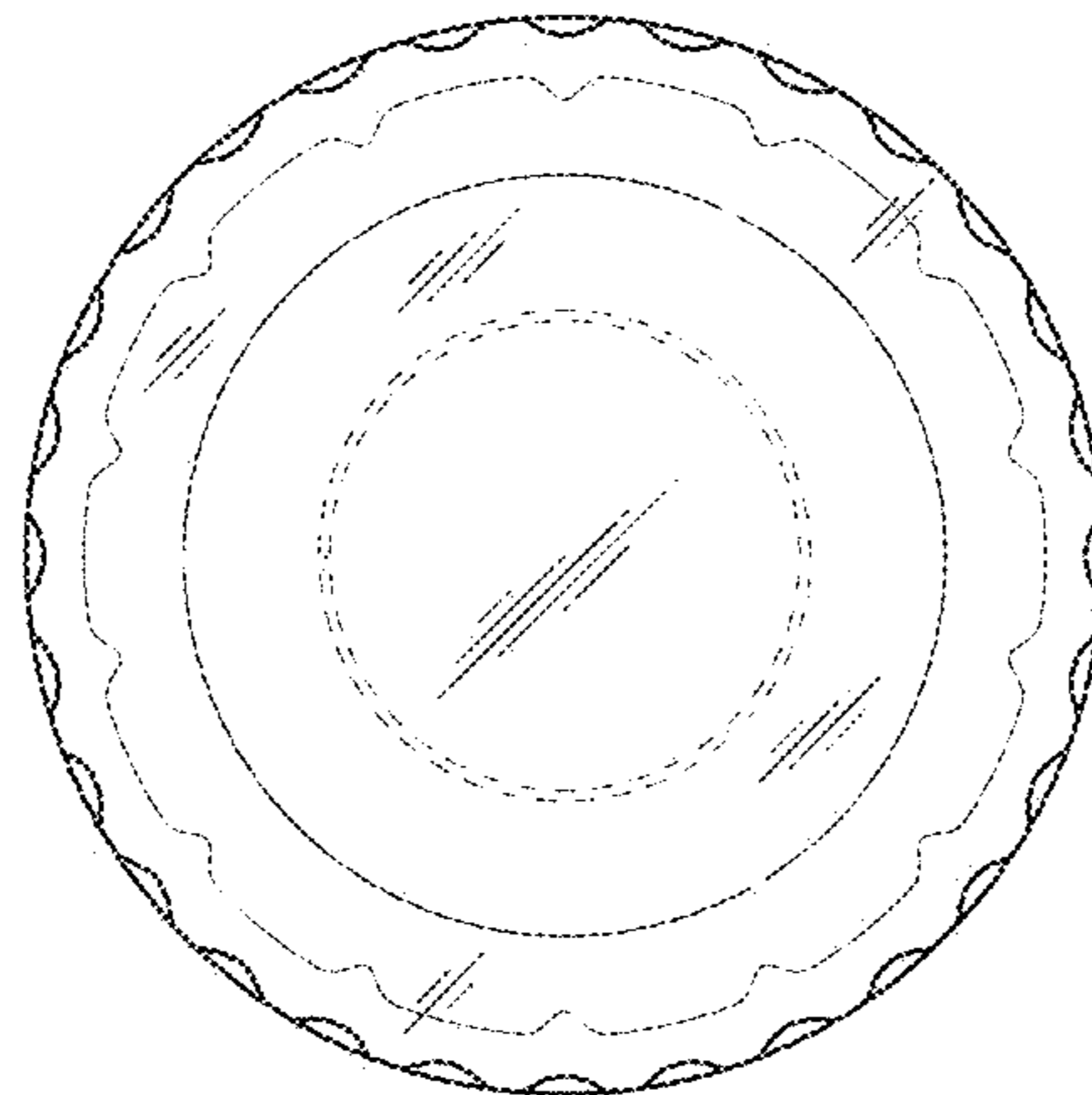


FIG. 6