



US00D908427S

(12) **United States Design Patent**
Kuhnel et al.

(10) **Patent No.:** **US D908,427 S**
(45) **Date of Patent:** **** Jan. 26, 2021**

(54) **SLIDABLE INSERT FOR HOUSEHOLD APPLIANCE**

(71) Applicant: **Baverican LLC**, Simpsonville, SC (US)

(72) Inventors: **Jessica Kuhnel**, Simpsonville, SC (US);
Dennis Kuhnel, Simpsonville, SC (US)

(73) Assignee: **BAVERICAN LLC**, Simpsonville, SC (US)

(**) Term: **15 Years**

(21) Appl. No.: **29/708,483**

(22) Filed: **Oct. 7, 2019**

(51) **LOC (13) Cl.** **31-00**

(52) **U.S. Cl.**

USPC **D7/412; D7/379**

(58) **Field of Classification Search**

USPC D7/372, 376–386, 412–413, 507, 602,
D7/624.1, 629, 665–666, 669, 679,
D7/693–694

CPC A21C 1/02; A21C 1/04; A23N 1/00; A23N
1/02; A47J 42/04; A47J 42/08; A47J
42/40; A47J 43/04; A47J 43/25; A47J
43/27; A47J 43/042; A47J 43/044; A47J
43/046; A47J 43/075; A47J 43/0705;
A47J 43/0722; A47J 43/0727; A61J 9/00;
A61J 9/04; A61J 11/0085; B01F 3/00;
B01F 3/0807; B01F 3/0853; B01F
13/0059; B01F 13/0064; B02C 1/08;
B02C 2/04; B02C 4/42; B02C 4/142;
B02C 4/143; B02C 4/423; B02C 13/1835;
B28C 5/10; B28C 5/12; B28C 5/14;
B28C 5/16; B65D 11/04

See application file for complete search history.

(56) **References Cited**

U.S. PATENT DOCUMENTS

6,068,397 A * 5/2000 Wilday A47J 43/044
366/199
7,604,191 B2 * 10/2009 Pai A47J 42/08
241/169.1

7,793,874 B2 * 9/2010 Pai A47J 42/04
241/168
8,480,017 B2 * 7/2013 Pai A47J 42/40
241/169.1
D799,266 S * 10/2017 Schroedter D7/507
D823,647 S * 7/2018 Curl, Jr. D7/624.1
D891,173 S * 7/2020 Saubert D7/379
2011/0024537 A1 * 2/2011 Gonzalez A47J 43/046
241/101.2
2014/0061145 A1 * 3/2014 Harris A61J 9/00
215/6
2016/0067146 A1 * 3/2016 Zhou A61J 9/04
215/11.5

(Continued)

Primary Examiner — Ricky Pham

(74) *Attorney, Agent, or Firm* — Dority & Manning, P.A.

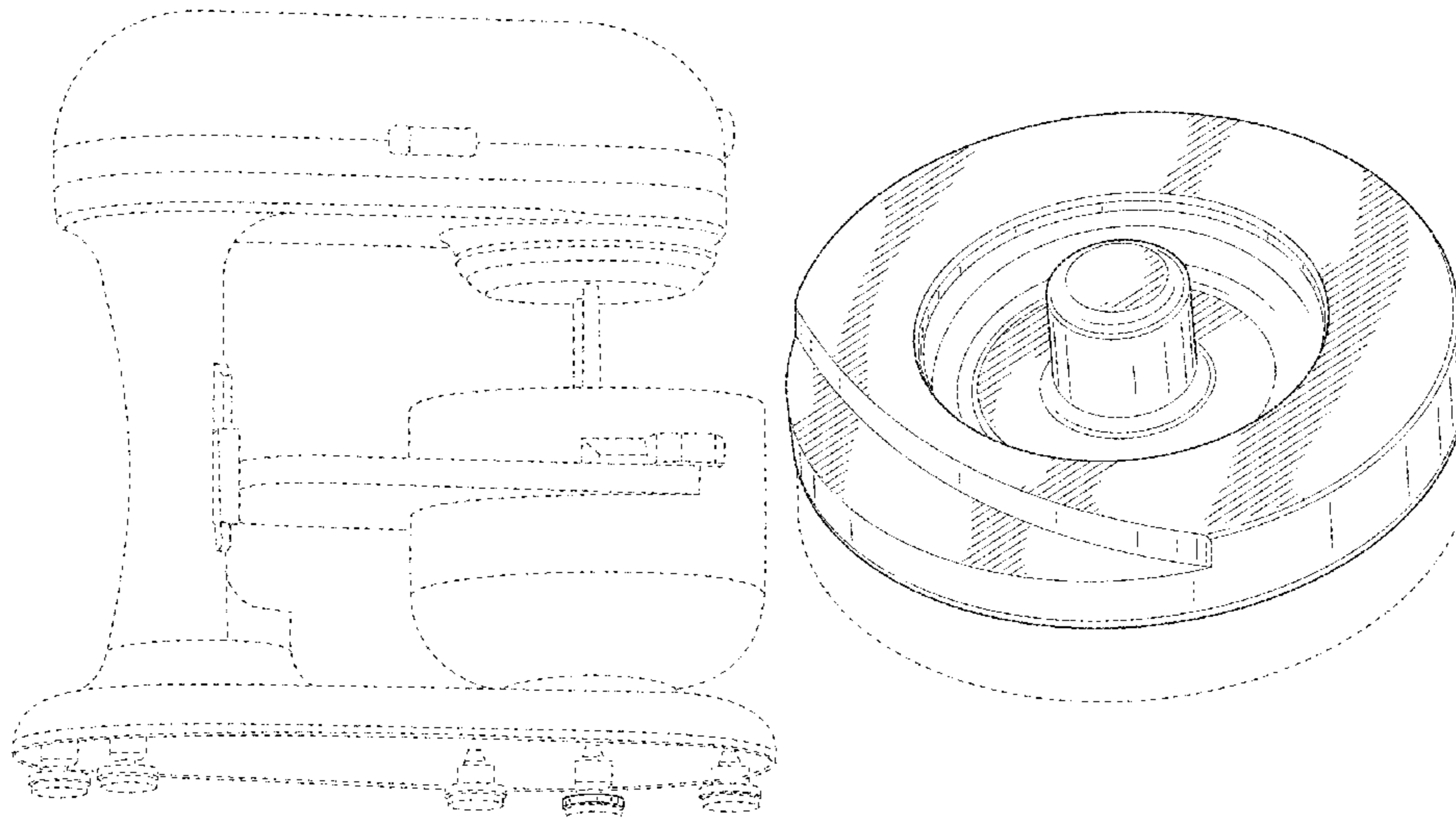
(57) **CLAIM**

The ornamental design for a slidable insert for household appliance, as shown and described.

DESCRIPTION

FIG. 1 is a perspective exploded view of a slidable insert in an illustrative environment on a household appliance; FIG. 2 is a perspective view of the slidable insert of FIG. 1; FIG. 3 is a top view of the slidable insert of FIG. 1; FIG. 4 is a bottom view of the slidable insert of FIG. 1; FIG. 5 is a right side view of the slidable insert of FIG. 1; FIG. 6 is a left side view of the slidable insert of FIG. 1; FIG. 7 is a front side view of the slidable insert of FIG. 1; and, FIG. 8 is a rear side view of the slidable insert of FIG. 1. The broken lines illustrate portions of the design that form no part of the claim.

1 Claim, 4 Drawing Sheets



(56)

References Cited

U.S. PATENT DOCUMENTS

2016/0089306 A1* 3/2016 Chee A61J 11/0085
215/11.1
2017/0113836 A1* 4/2017 Labedzki B65D 11/04
2020/0245639 A1* 8/2020 Crema A47J 43/0705

* cited by examiner

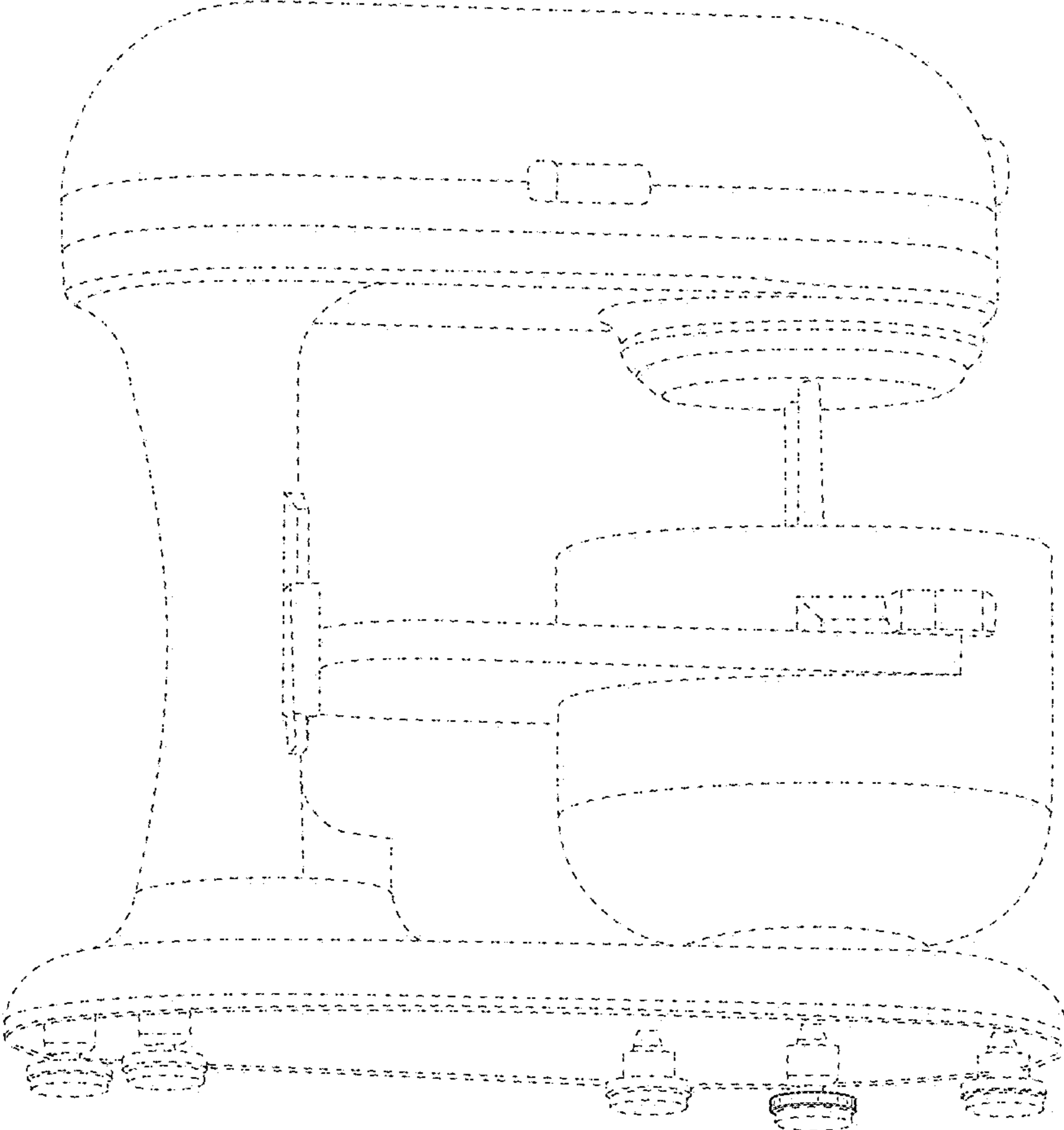


FIG. 1

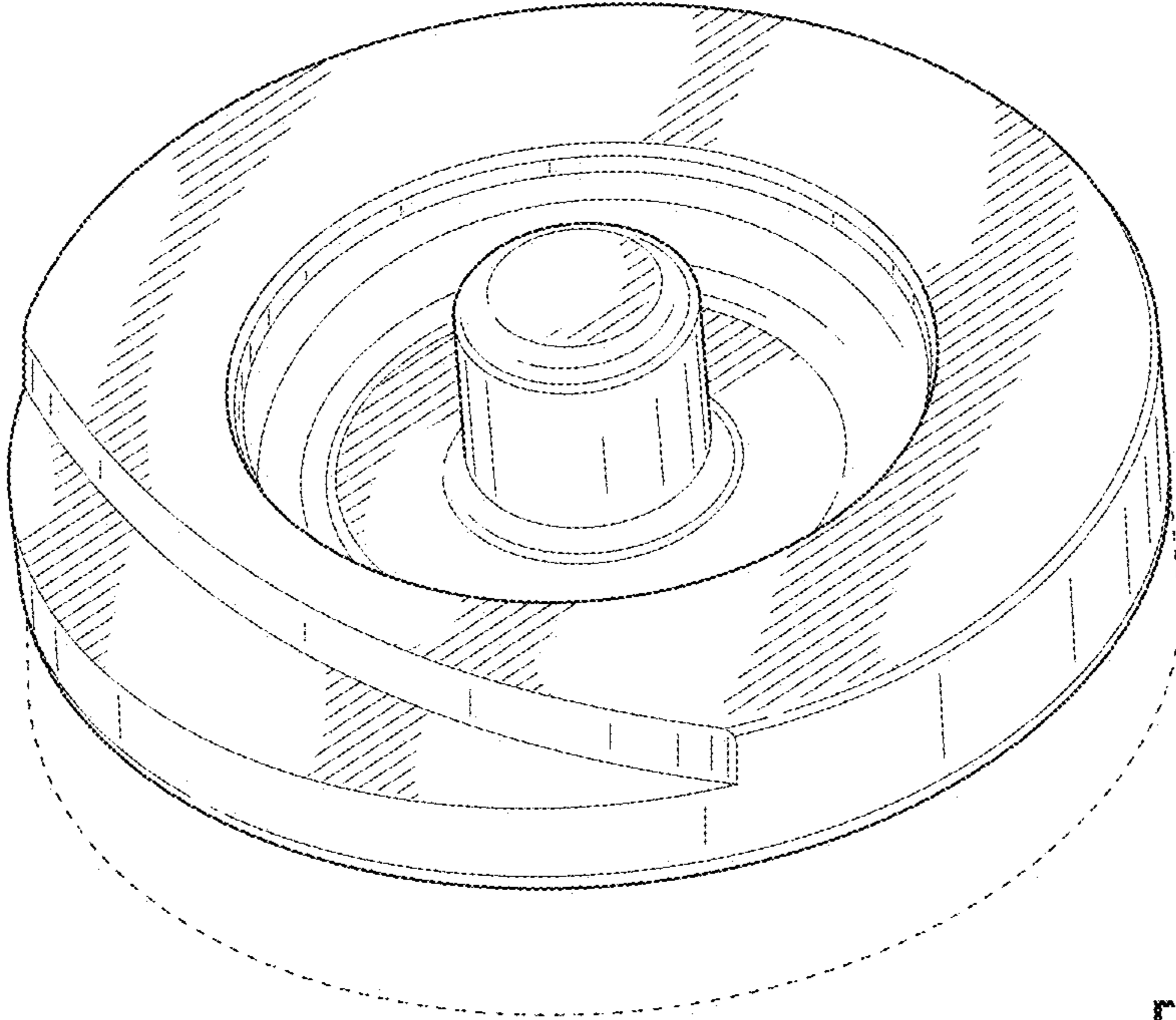


FIG. 2

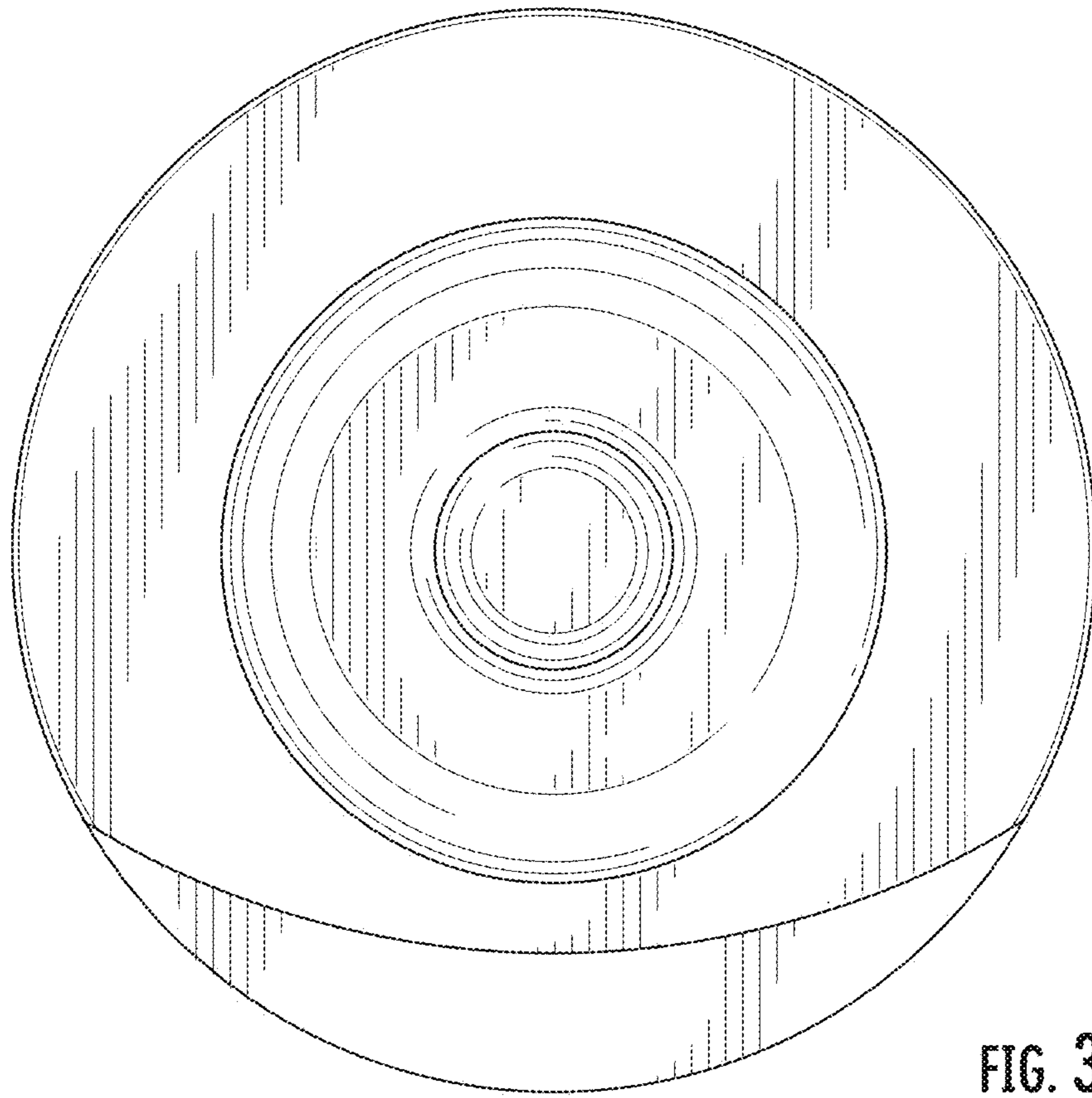


FIG. 3

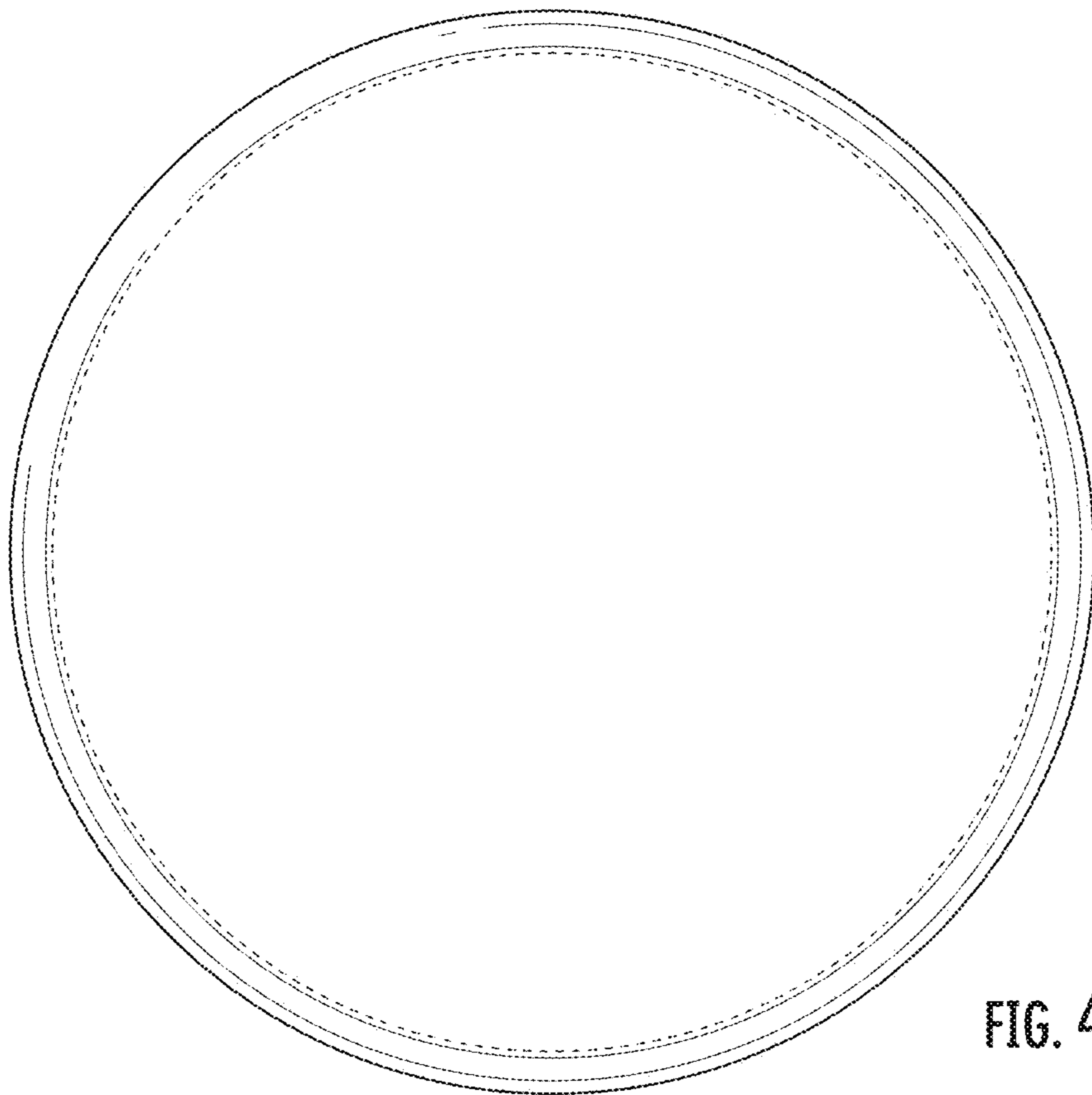


FIG. 4

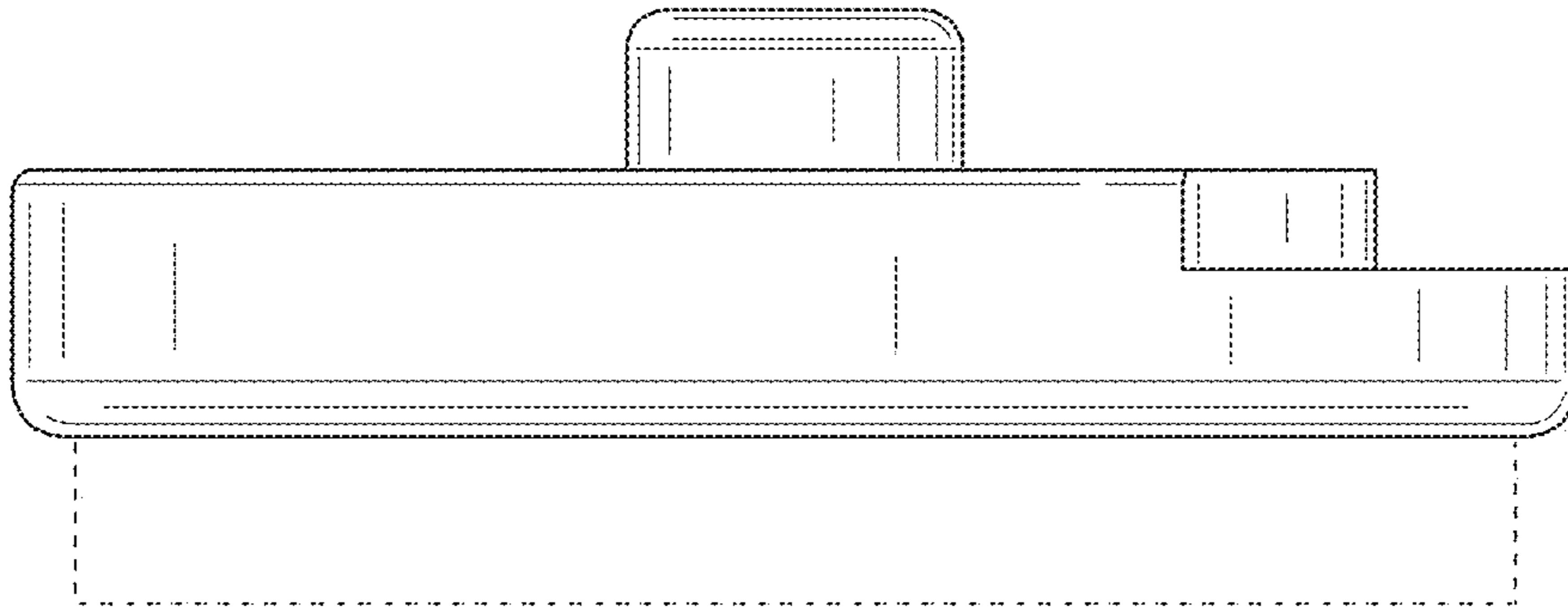


FIG. 5

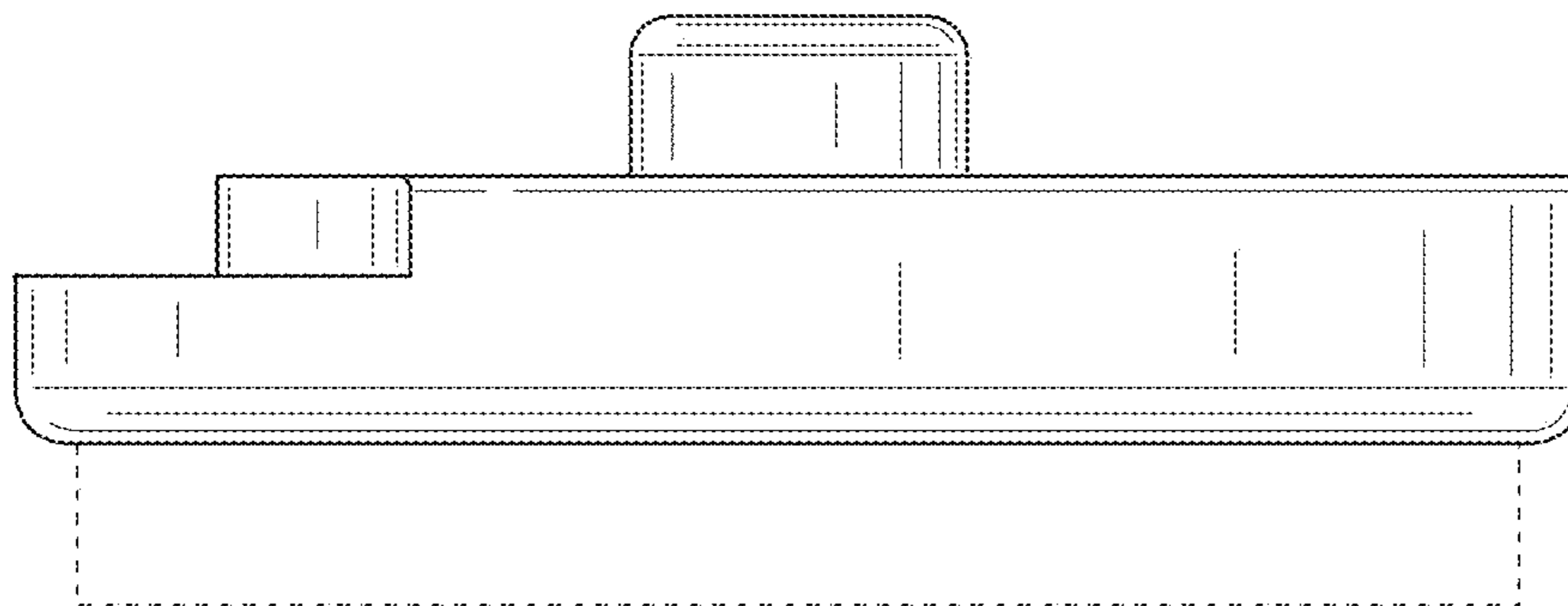


FIG. 6

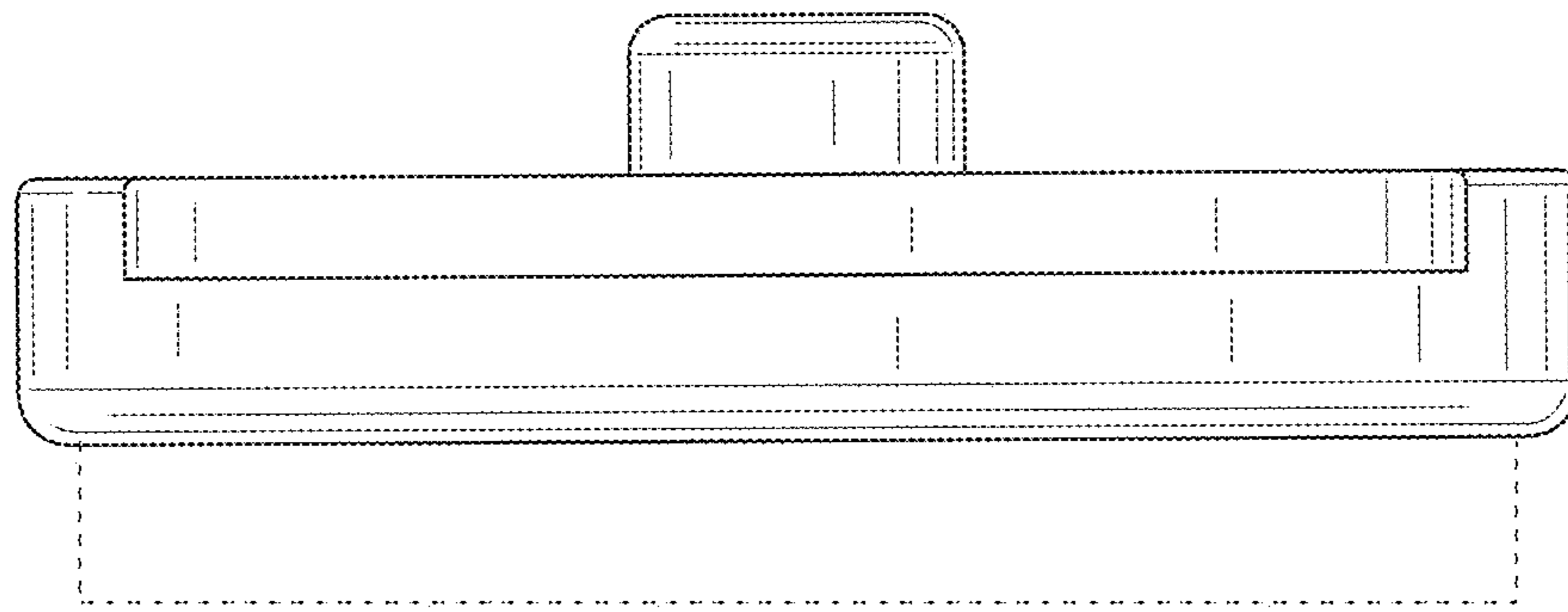


FIG. 7

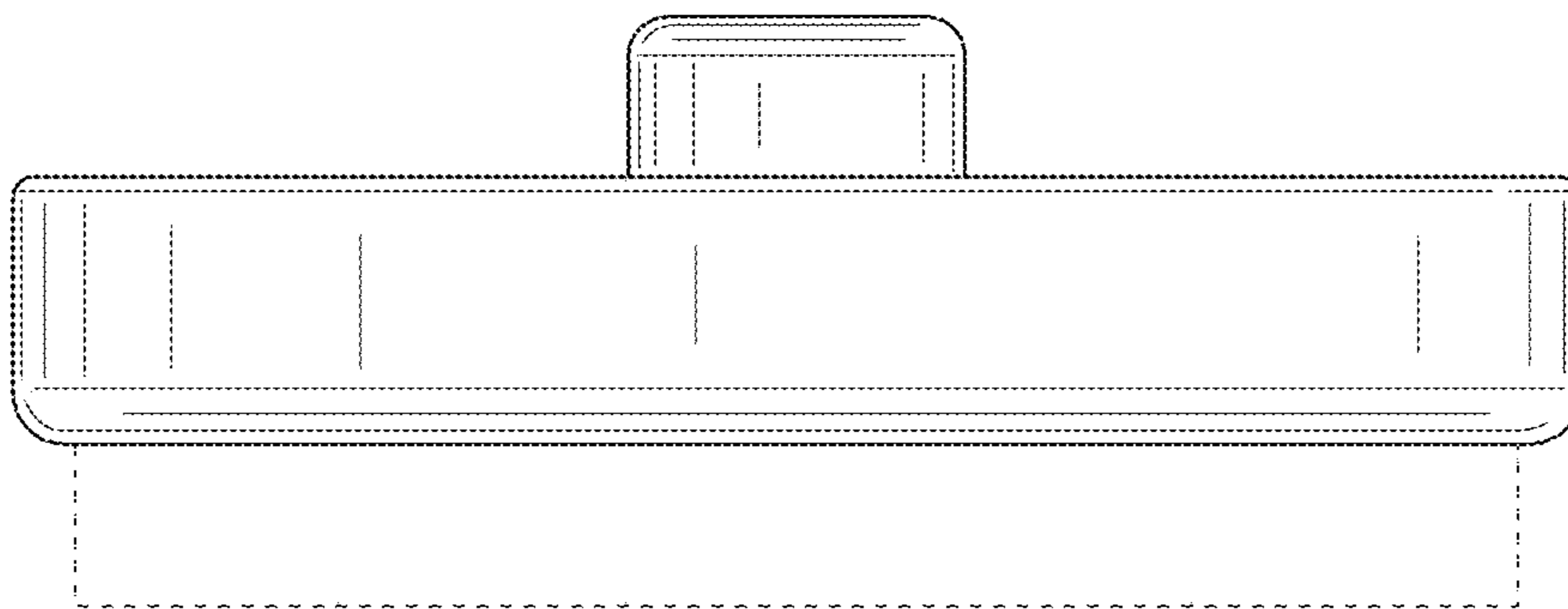


FIG. 8