



US00D908426S

(12) **United States Design Patent** (10) **Patent No.:** **US D908,426 S**
Mikkelsen et al. (45) **Date of Patent:** **** Jan. 26, 2021**

(54) **NEEDLE ARRANGEMENT**
(71) Applicant: **Keurig Green Mountain, Inc.**,
Burlington, MA (US)
(72) Inventors: **Blair Mikkelsen**, Chelmsford, MA
(US); **Joseph George Fucci**, Amherst,
NH (US); **Robert Dana Cassano**,
Natick, MA (US)

D640,092 S * 6/2011 Aardenburg D7/397
D689,605 S * 9/2013 Bellenoit D24/112
D775,341 S * 12/2016 Holland D24/162
D778,410 S * 2/2017 Smith D23/259
D783,132 S * 4/2017 Smith D23/259
D797,904 S * 9/2017 Smith D23/259
D801,747 S * 11/2017 Hanneson D7/397

(Continued)

FOREIGN PATENT DOCUMENTS

(73) Assignee: **Keurig Green Mountain, Inc.**,
Burlington, MA (US)

CN 203252455 U 10/2013
WO WO 2002/074144 A2 9/2002

(**) Term: **15 Years**

OTHER PUBLICATIONS

(21) Appl. No.: **29/680,937**

Invitation to Pay Additional Fees dated Feb. 25, 2020 in connection
with International Application No. PCT/US2019/058718.

(22) Filed: **Feb. 21, 2019**

(Continued)

(51) **LOC (13) Cl.** **07-99**

(52) **U.S. Cl.**
USPC **D7/397**; D7/399; D23/259

Primary Examiner — Marianne N Pandozzi
(74) *Attorney, Agent, or Firm* — Wolf, Greenfield &
Sacks, P.C.

(58) **Field of Classification Search**
USPC D7/300, 397, 387, 398, 399, 400, 305;
D23/259; D24/112; D22/108; D28/7
CPC B67B 7/26; B67D 3/041; B65D 85/8043
See application file for complete search history.

(57) **CLAIM**
The ornamental design for a needle arrangement, as shown
and described.

(56) **References Cited**

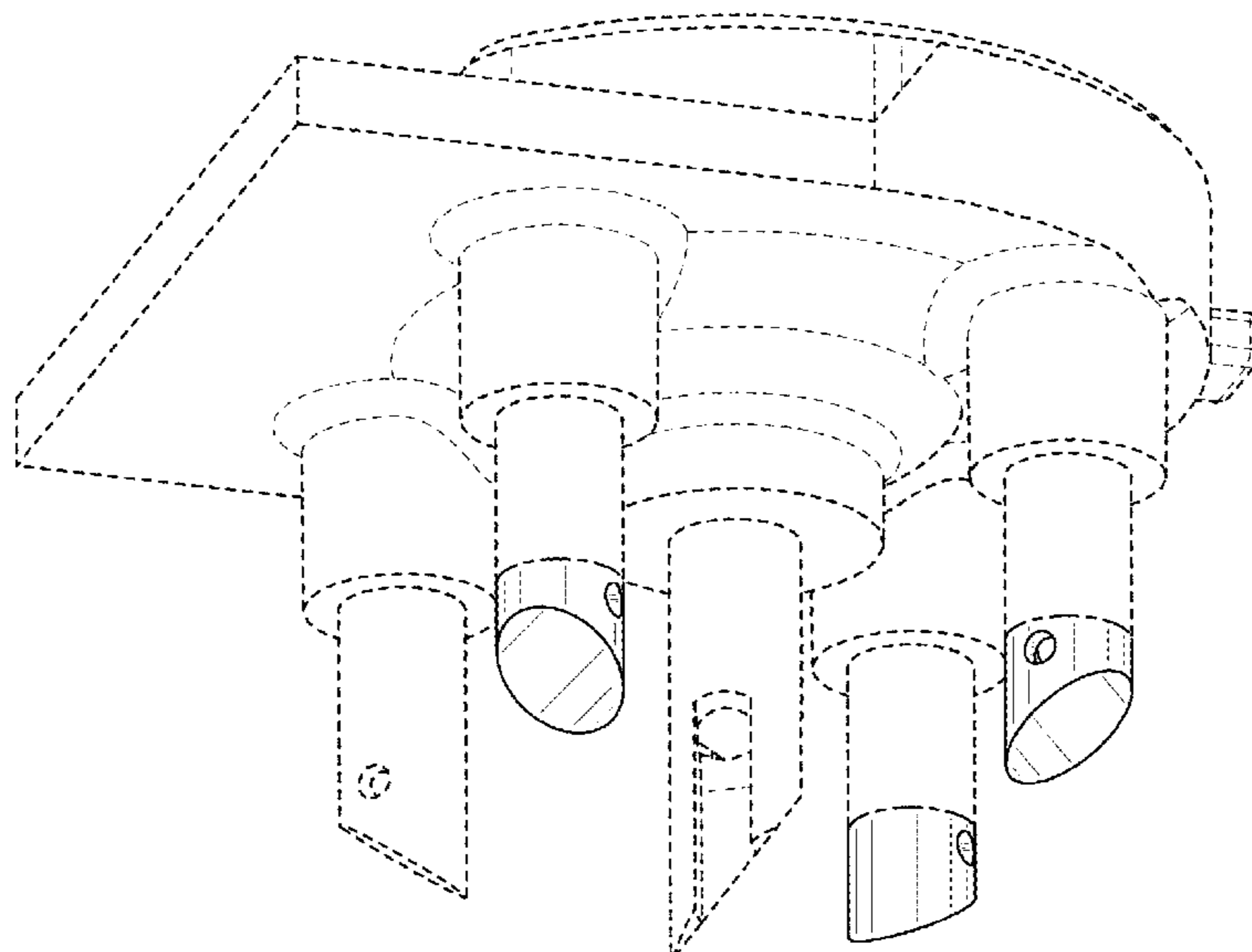
DESCRIPTION

U.S. PATENT DOCUMENTS

D271,050 S * 10/1983 Berkman D28/77
D280,451 S * 9/1985 Bakic D28/88
D280,692 S * 9/1985 Sullivan D7/387
D285,730 S * 9/1986 Bulwick D19/901
D357,733 S * 4/1995 Matkovich D24/112
D403,398 S * 12/1998 Guala D24/112
D458,843 S * 6/2002 Jensen D9/440
6,607,762 B2 8/2003 Lazaris et al.
6,644,173 B2 11/2003 Lazaris et al.
D536,925 S * 2/2007 Macler D7/387
D552,798 S * 10/2007 Py D28/76
D581,212 S * 11/2008 Macler D7/397
D633,178 S * 2/2011 Smith D23/233

FIG. 1 is a bottom, rear, left side perspective view of a
needle arrangement;
FIG. 2 is a front view thereof;
FIG. 3 is a rear view thereof;
FIG. 4 is a left side view thereof;
FIG. 5 is a right side view thereof; and,
FIG. 6 is a bottom plan view thereof.
The long dash-short dash lines immediately adjacent the
shaded areas represent the bounds of the claimed design.
The broken lines shown illustrate portions of the needle
arrangement that form no part of the claimed design.

1 Claim, 6 Drawing Sheets



(56)

References Cited

U.S. PATENT DOCUMENTS

D804,234	S *	12/2017	Cedergren	D7/305
D808,263	S *	1/2018	Patel	D9/436
9,867,493	B2	1/2018	Novak et al.		
10,011,421	B2	7/2018	Bartoli et al.		
D845,486	S *	4/2019	Holland	D24/162
2006/0225575	A1 *	10/2006	Denisart	A47J 31/3695 99/275
2007/0213631	A1 *	9/2007	Kondo	A61B 10/06 600/562
2014/0072676	A1 *	3/2014	Moutty	B65D 85/8043 426/112
2015/0335872	A1 *	11/2015	Yang	A61B 17/064 604/46
2016/0229677	A1	8/2016	Girault et al.		
2017/0258265	A1	9/2017	Trombetta et al.		
2020/0114136	A1 *	4/2020	Nangou	A61K 9/70

OTHER PUBLICATIONS

International Search Report and Written Opinion dated Jun. 23, 2020 in connection with International Application No. PCT/US2019/058718.

U.S. Appl. No. 29/715,744, filed Dec. 4, 2019, Cassano et al. PCT/US2019/058718, Jun. 23, 2020, International Search Report and Written Opinion.

PCT/US2019/058718, Feb. 25, 2020, Invitation to Pay Additional Fees.

* cited by examiner

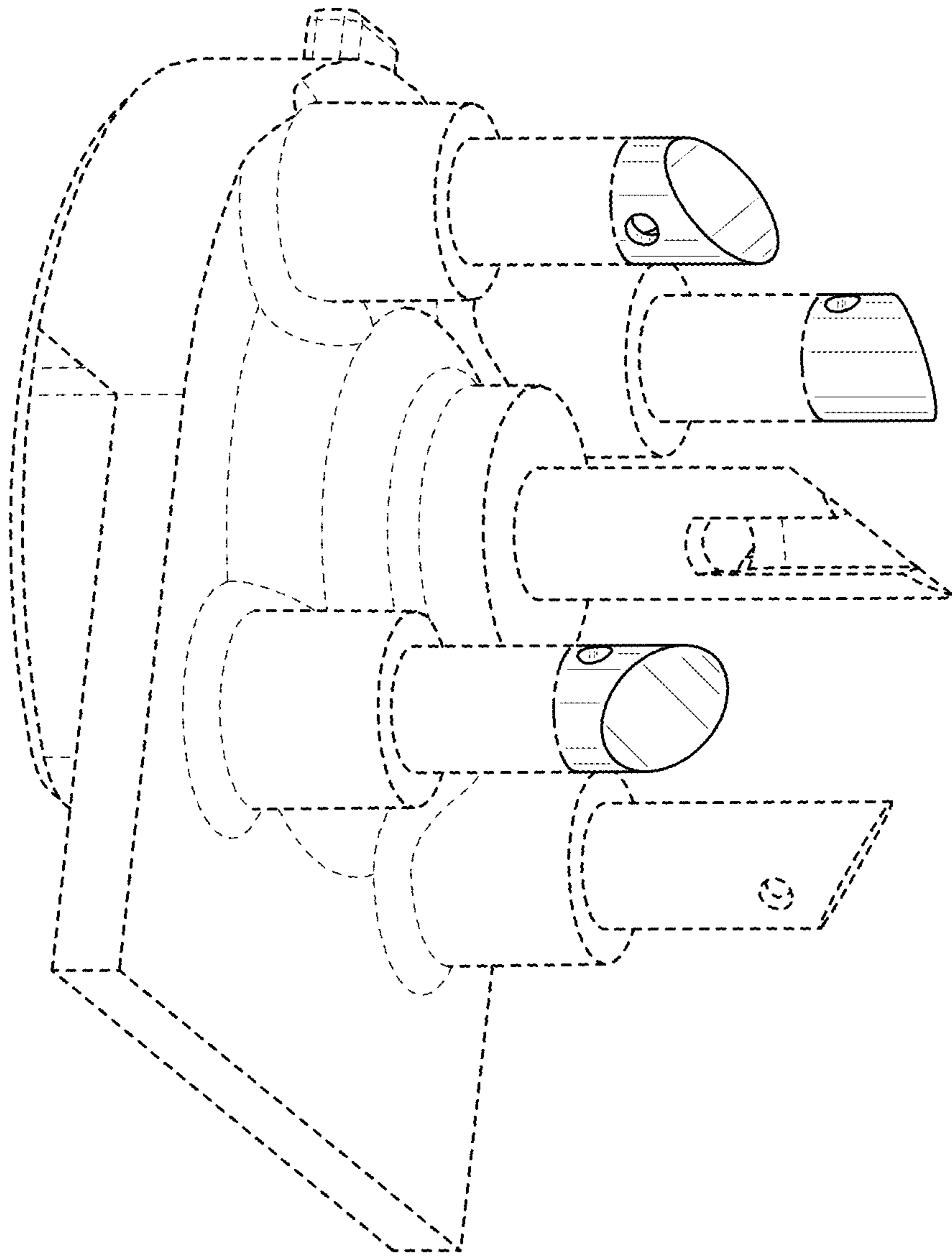


FIG. 1

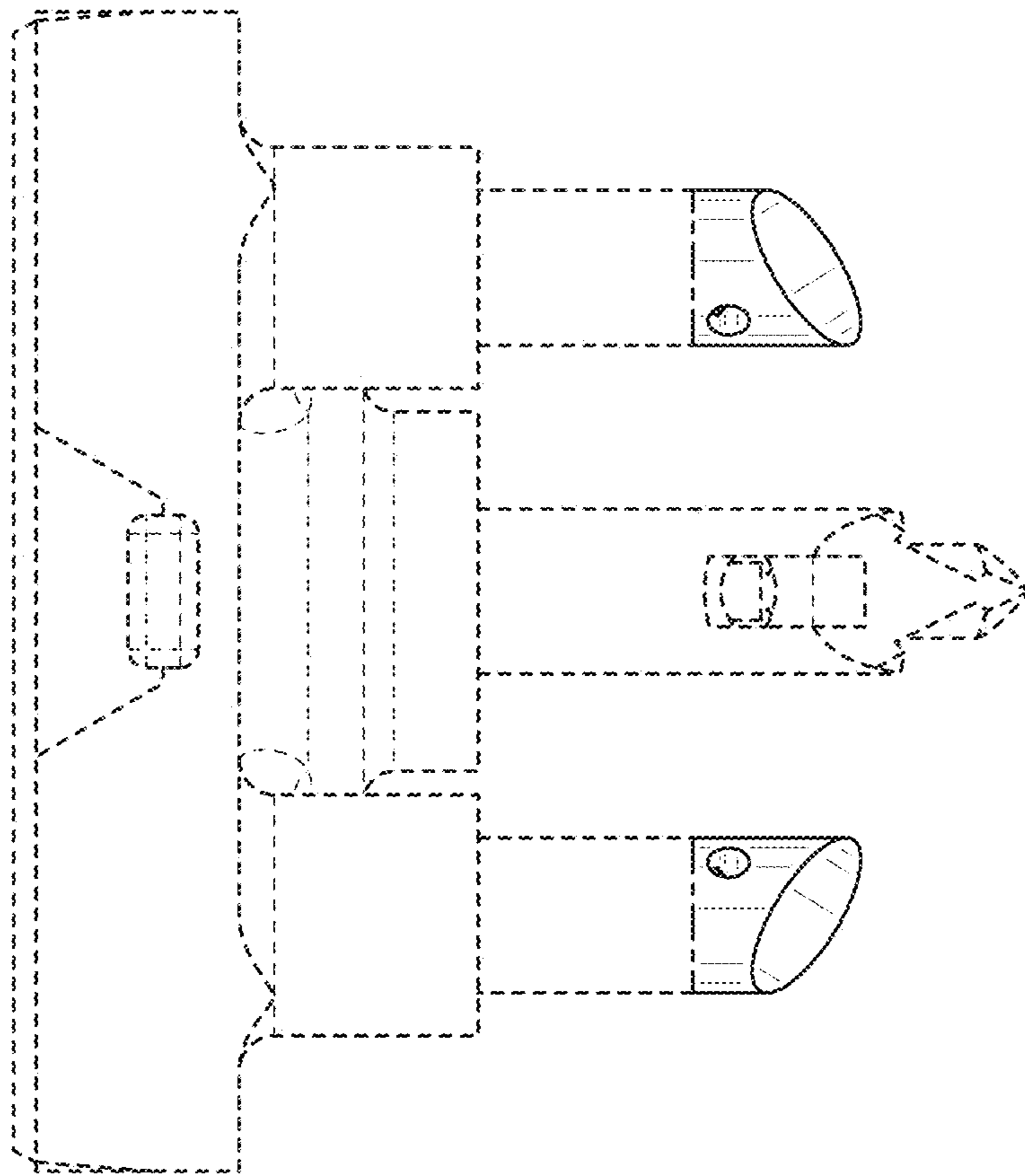


FIG. 2

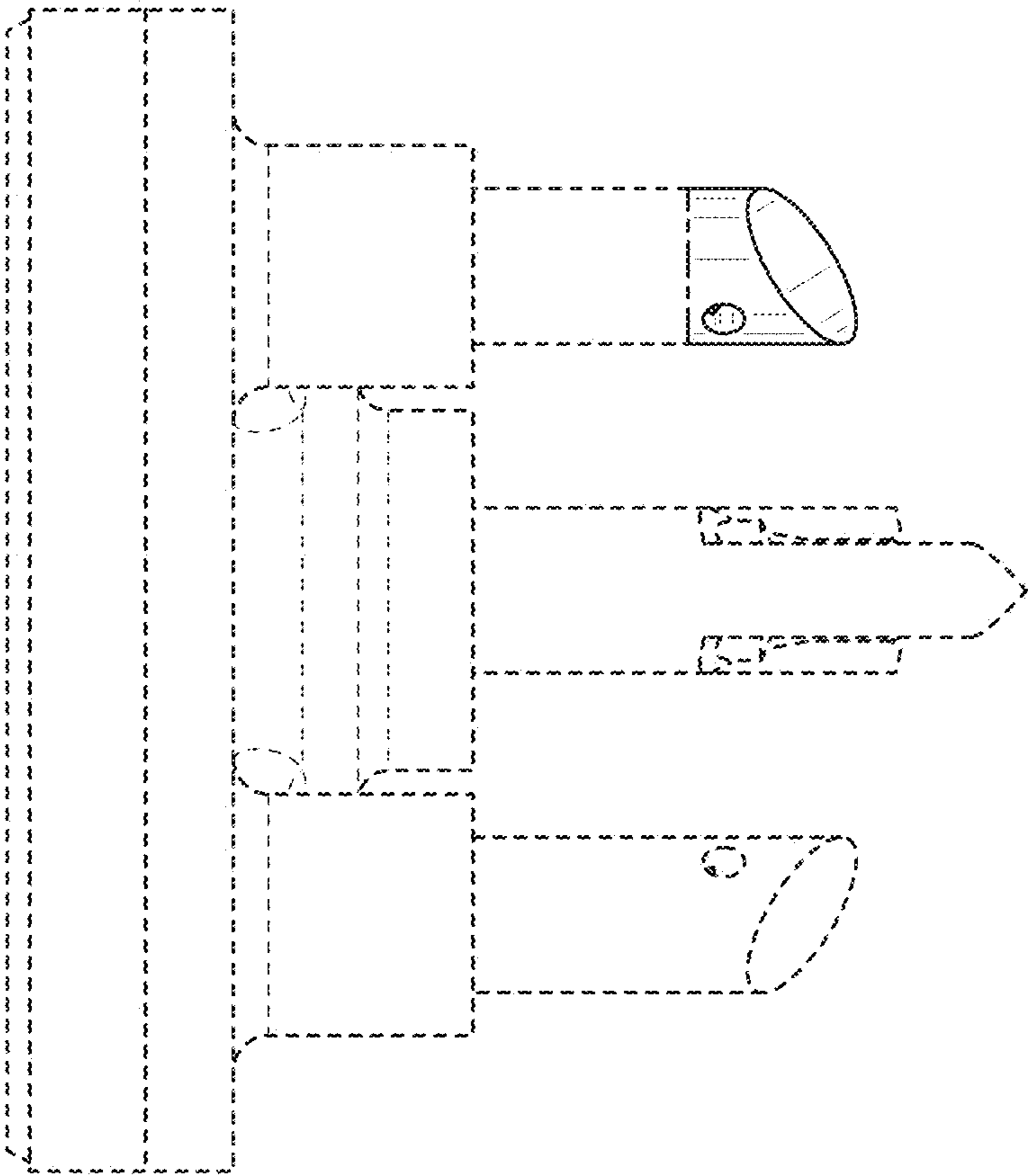


FIG. 3

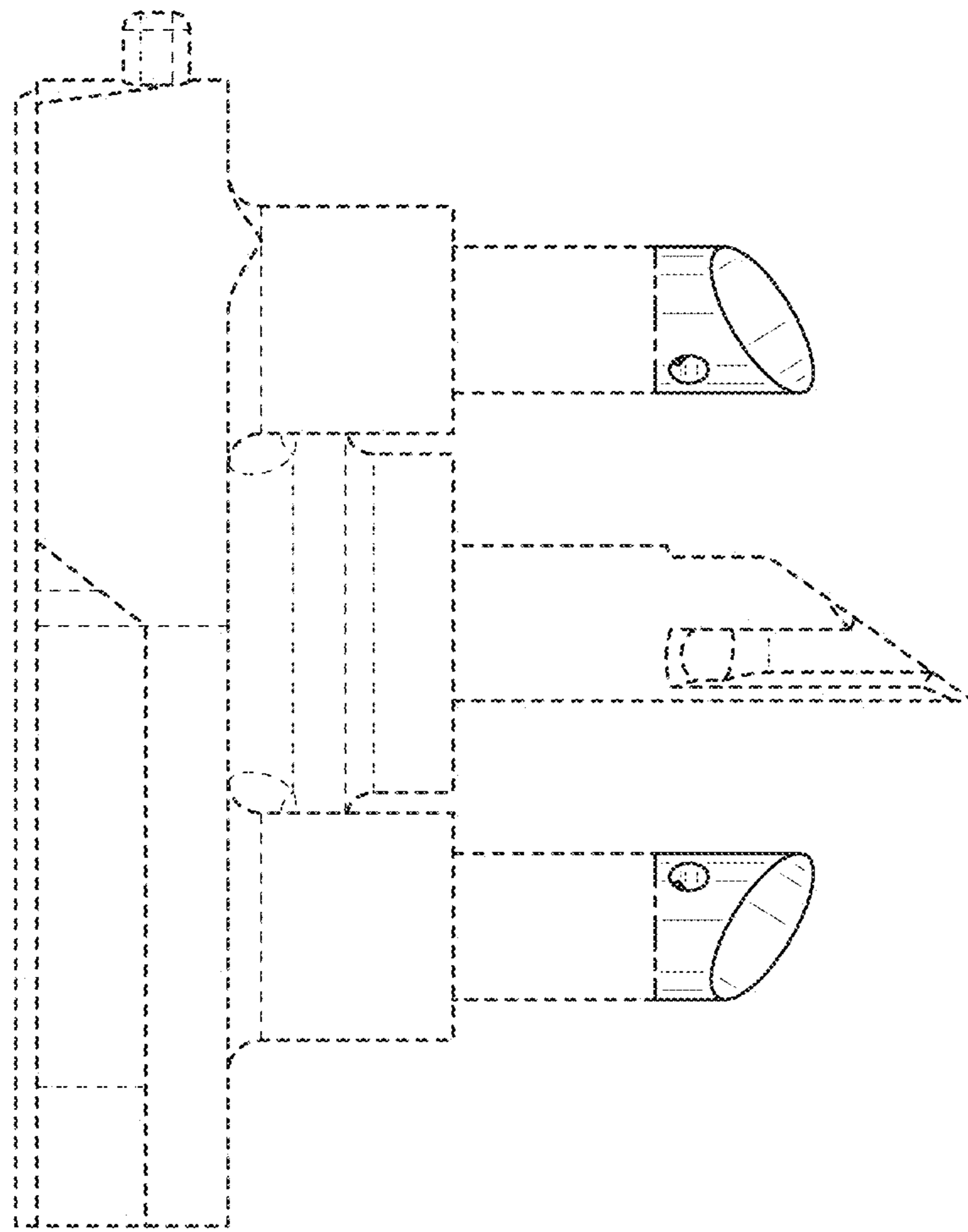


FIG. 4

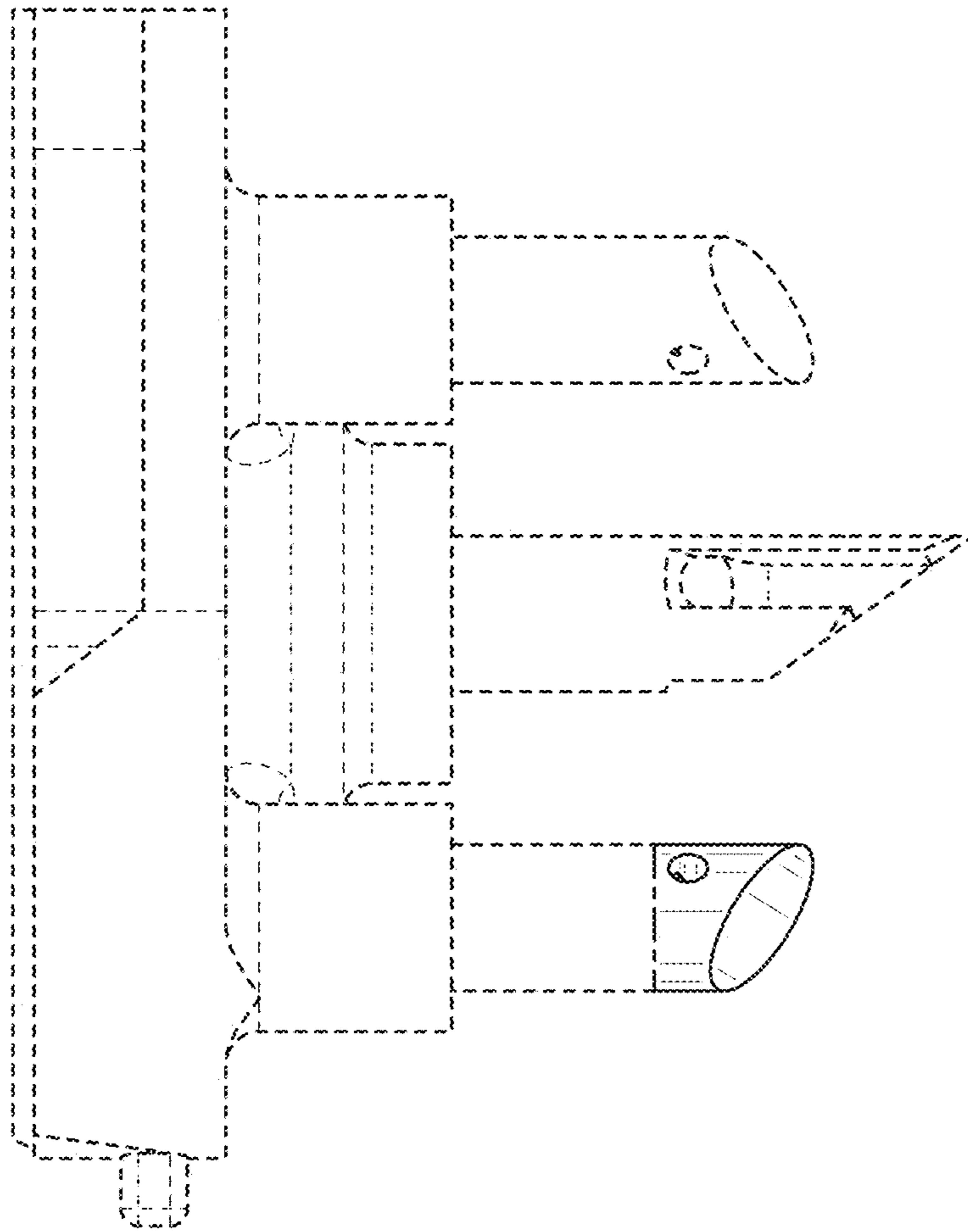


FIG. 5

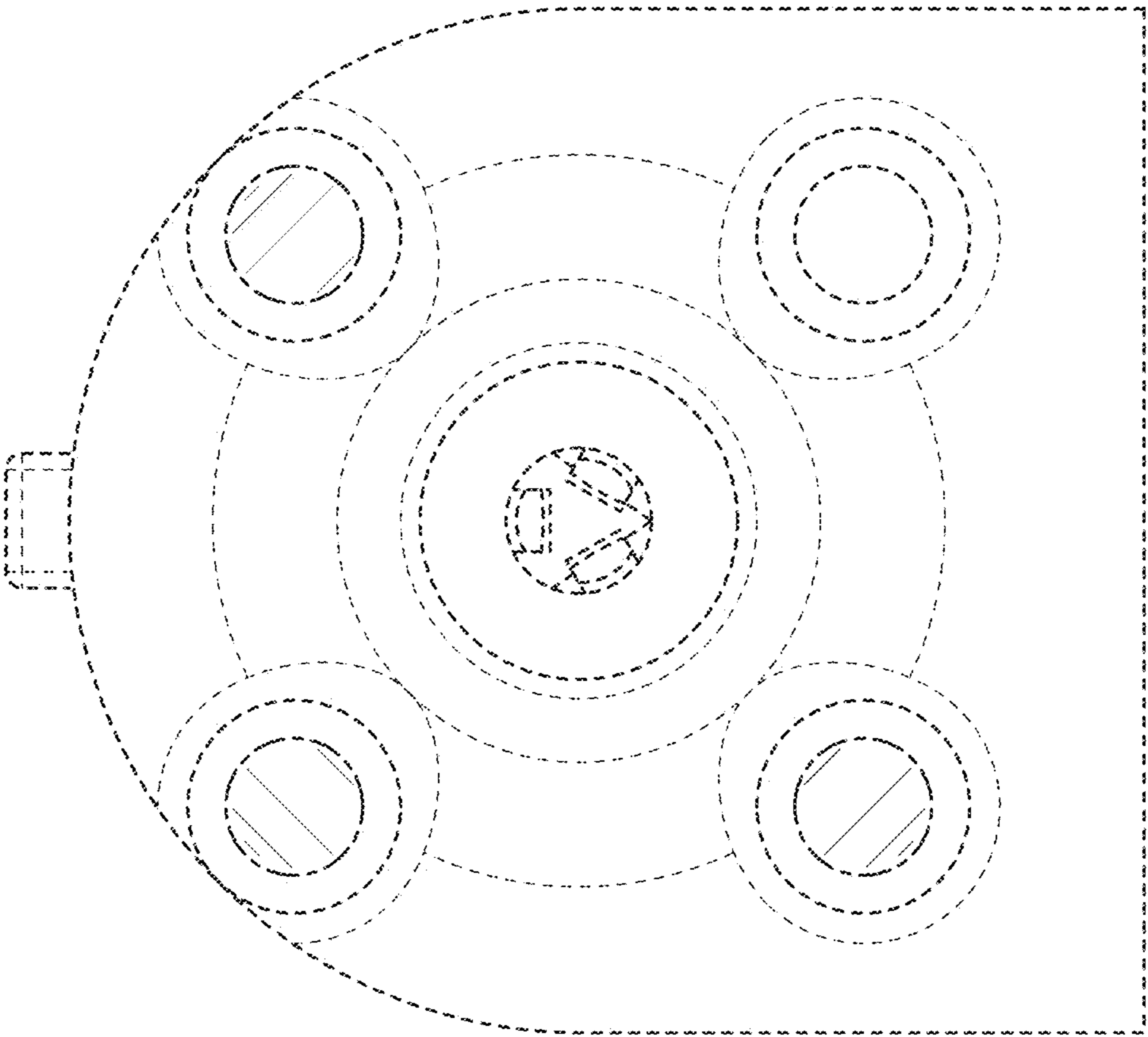


FIG. 6