



US00D908424S

(12) **United States Design Patent**
Nathan et al.

(10) **Patent No.:** **US D908,424 S**
(45) **Date of Patent:** **** Jan. 26, 2021**

- (54) **COOKWARE PAN HANDLE**
- (71) Applicant: **Caraway Home, Inc.**, New York, NY (US)
- (72) Inventors: **Jordan Nathan**, New York, NY (US); **Benjamin Gross**, San Francisco, CA (US); **Kenneth Young**, San Francisco, CA (US); **Bret Recor**, San Francisco, CA (US)
- (73) Assignee: **Caraway Home, Inc.**, New York, NY (US)
- (**) Term: **15 Years**
- (21) Appl. No.: **29/709,085**
- (22) Filed: **Oct. 11, 2019**
- (51) **LOC (13) Cl.** **07-02**
- (52) **U.S. Cl.**
USPC **D7/395**
- (58) **Field of Classification Search**
USPC D7/354-361, 393-395, 664, 401.2, 402
CPC A47J 45/06; A47J 45/061; A47J 45/062;
A47J 45/071; A47J 45/072; A47J 45/08;
A47J 45/085
See application file for complete search history.

D617,607 S	6/2010	Pantaleo	
D682,023 S *	5/2013	Rae	D7/395
D693,638 S	11/2013	Sweet et al.	
D711,188 S *	8/2014	Shen	D7/395
D749,356 S *	2/2016	Steiner	D7/395
D779,873 S *	2/2017	Barberi	D7/395
D809,337 S	2/2018	Chen	
D813,595 S *	3/2018	Narvaez Lopez	D7/395
D824,211 S *	7/2018	Kastner	D7/395
D849,470 S *	5/2019	Hollinger	D7/395
D852,576 S *	7/2019	Jamison	D7/395
D885,820 S *	6/2020	Girdaukas	D7/361

* cited by examiner

Primary Examiner — Cynthia M. Chin

(74) *Attorney, Agent, or Firm* — Bochner IP; Andrew D. Bochner

(57) **CLAIM**

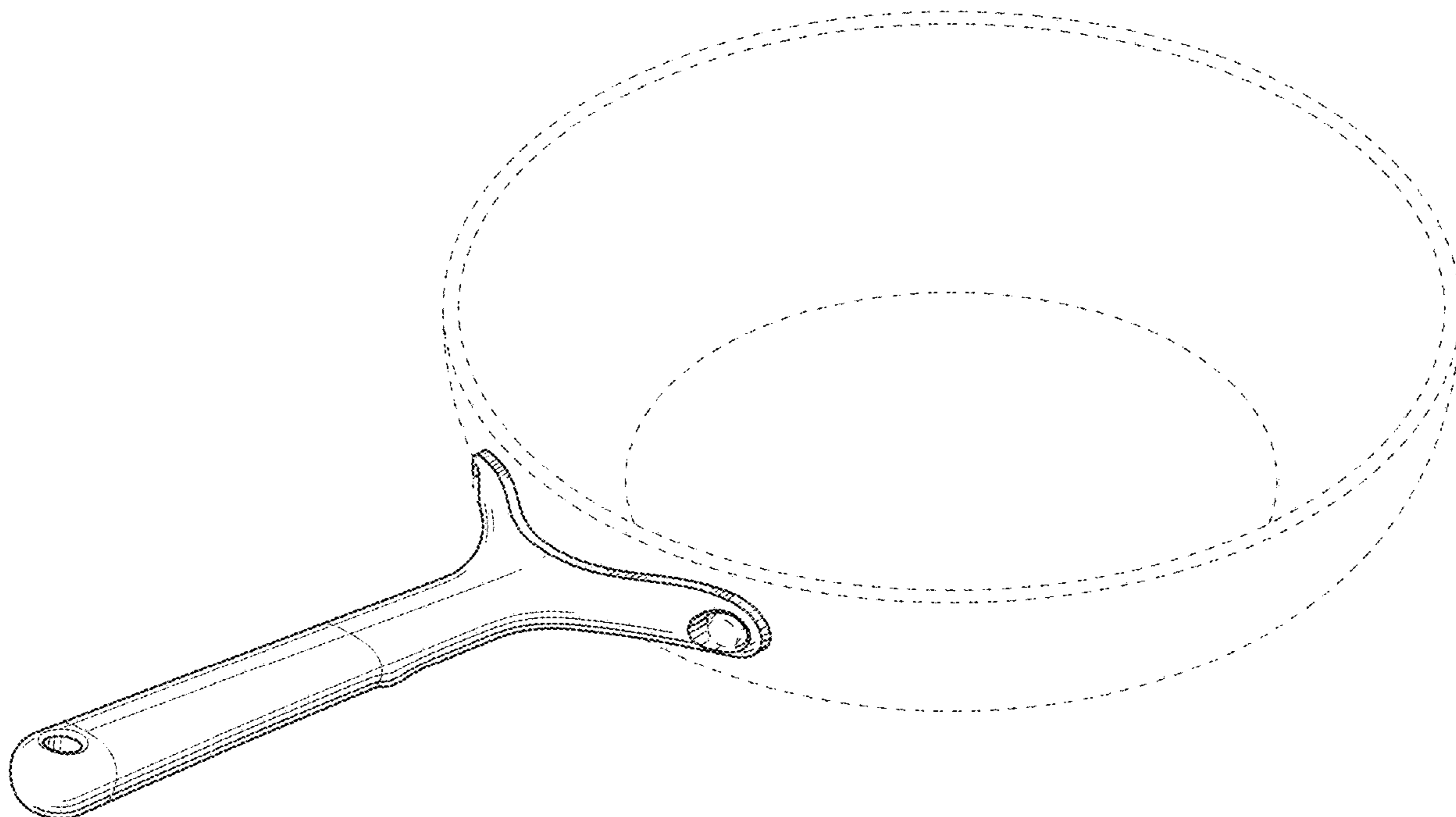
The ornamental design for a cookware pan handle, as shown and described.

DESCRIPTION

FIG. 1 is a top, front, right side perspective view of a cookware pan handle;
 FIG. 2 is a front elevation view rear elevation thereof;
 FIG. 3 is a rear elevation view thereof;
 FIG. 4 is a left side elevation view, thereof the right side elevation view being a mirror image;
 FIG. 5 is a top plan view thereof; and,
 FIG. 6 is a bottom plan view thereof.
 In the drawings, the broken lines are for the purpose of illustrating environment only, and form no part of the claimed design.

1 Claim, 4 Drawing Sheets

- (56) **References Cited**
U.S. PATENT DOCUMENTS
D477,967 S * 8/2003 Burton D7/395
D482,567 S * 11/2003 Demers D7/395



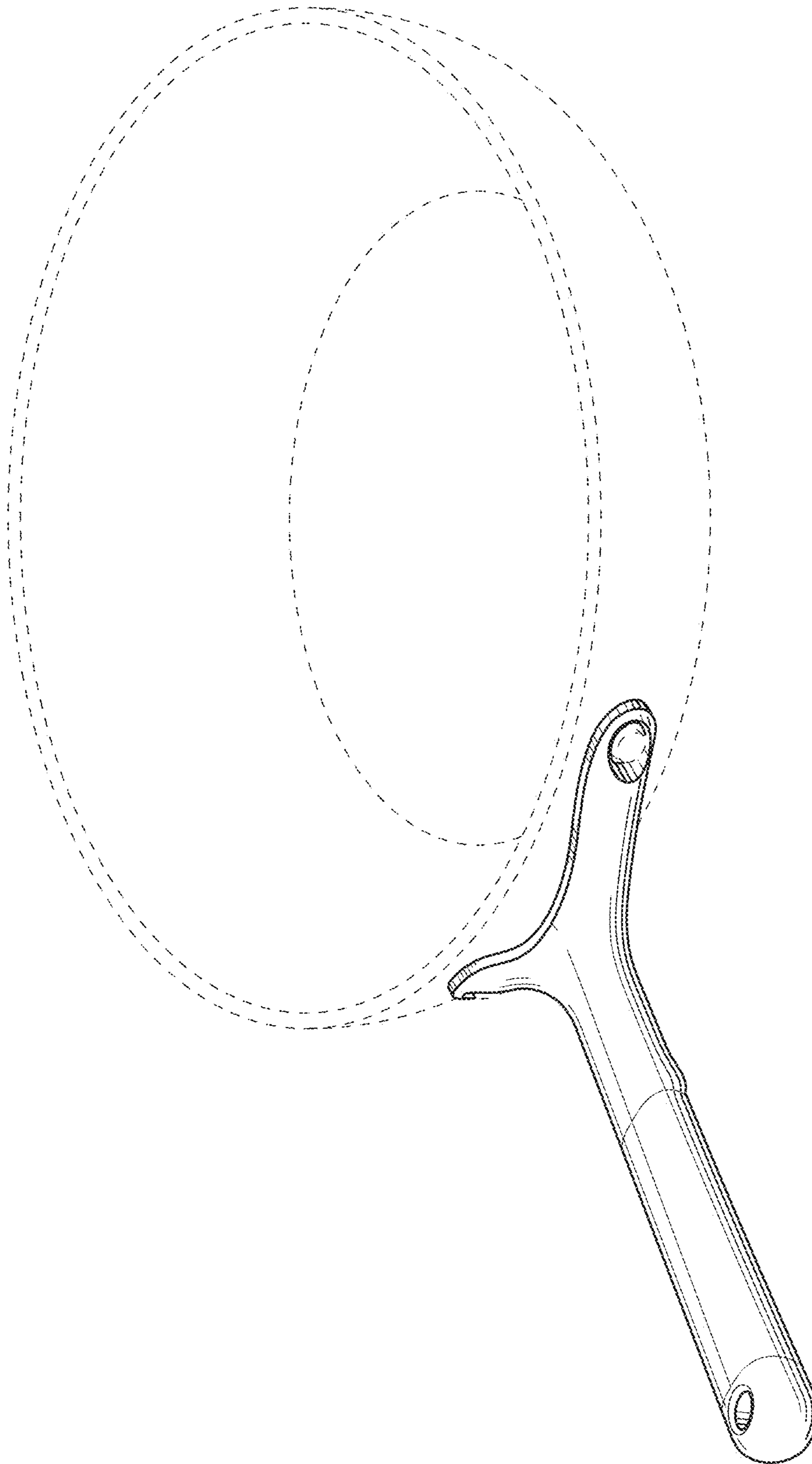


FIG. 1

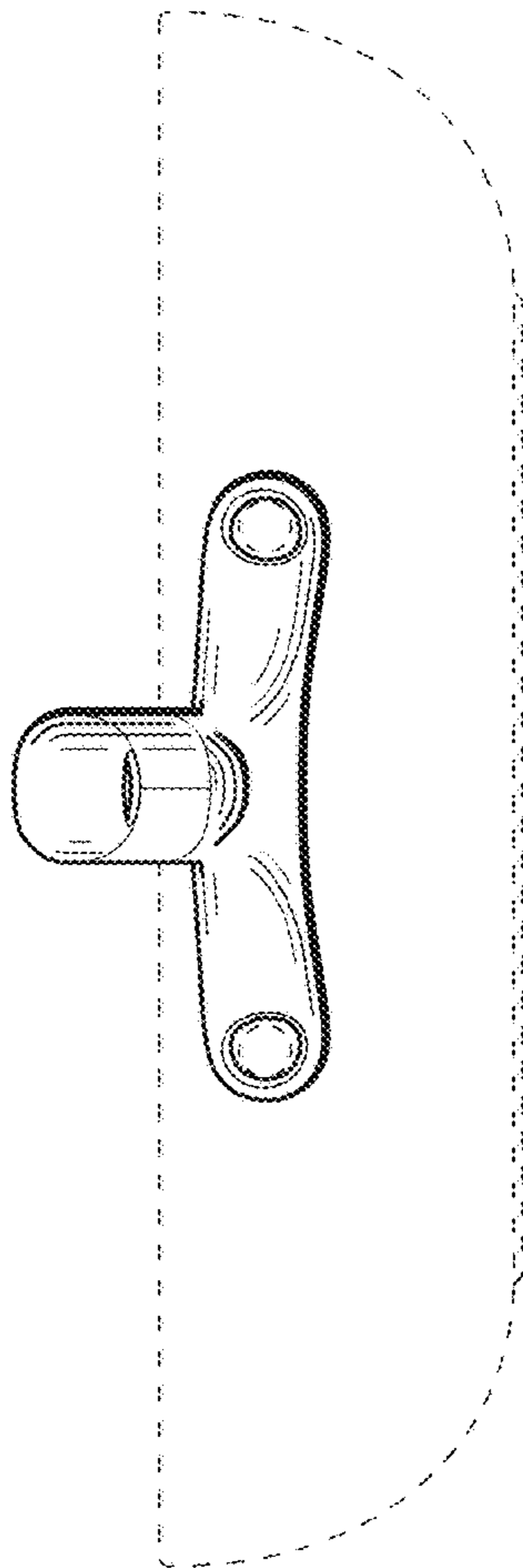


FIG. 2

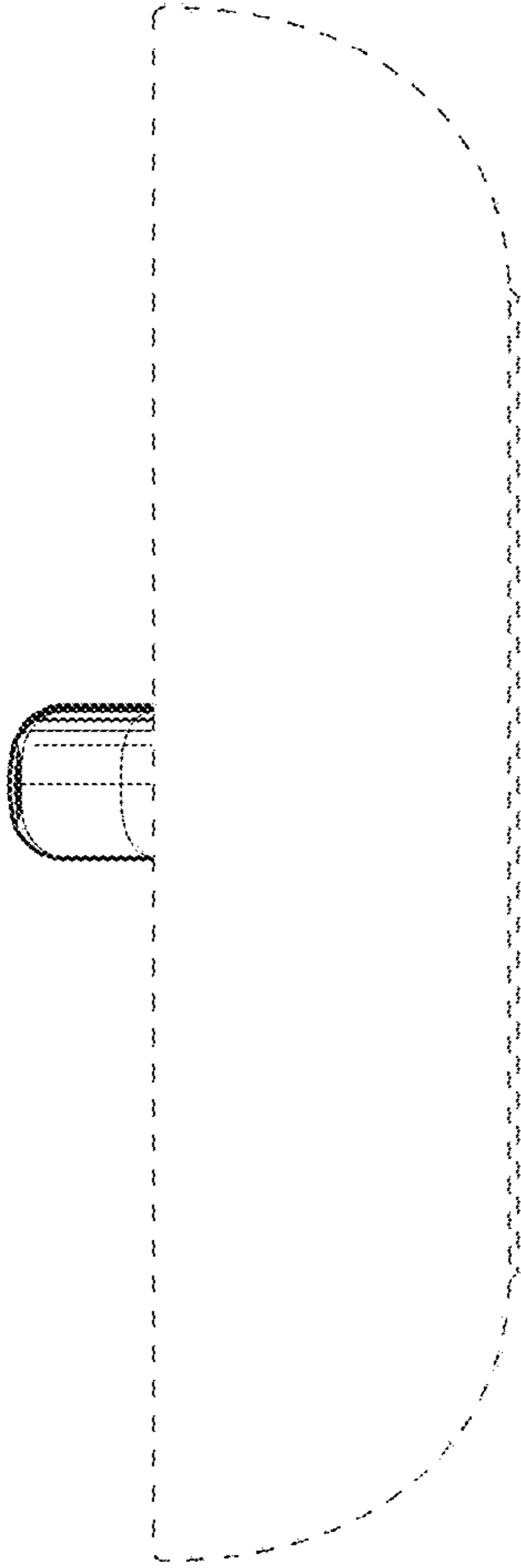


FIG. 3

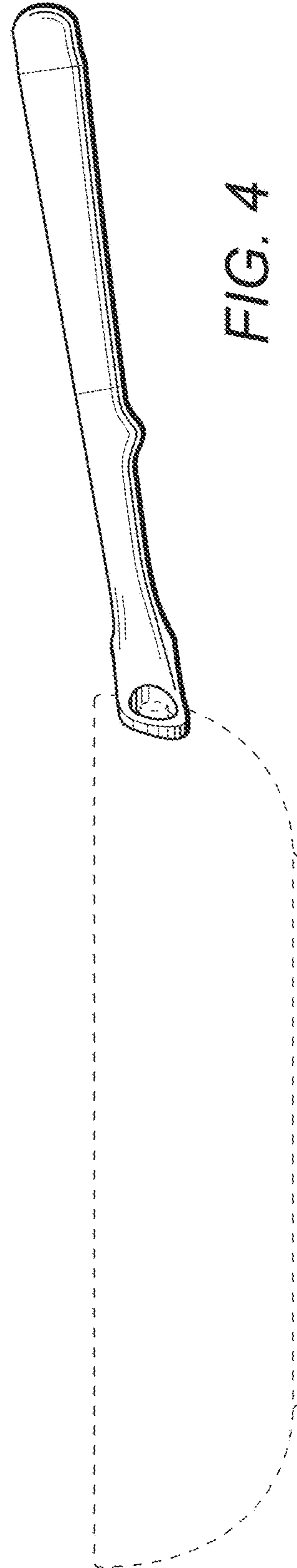


FIG. 4

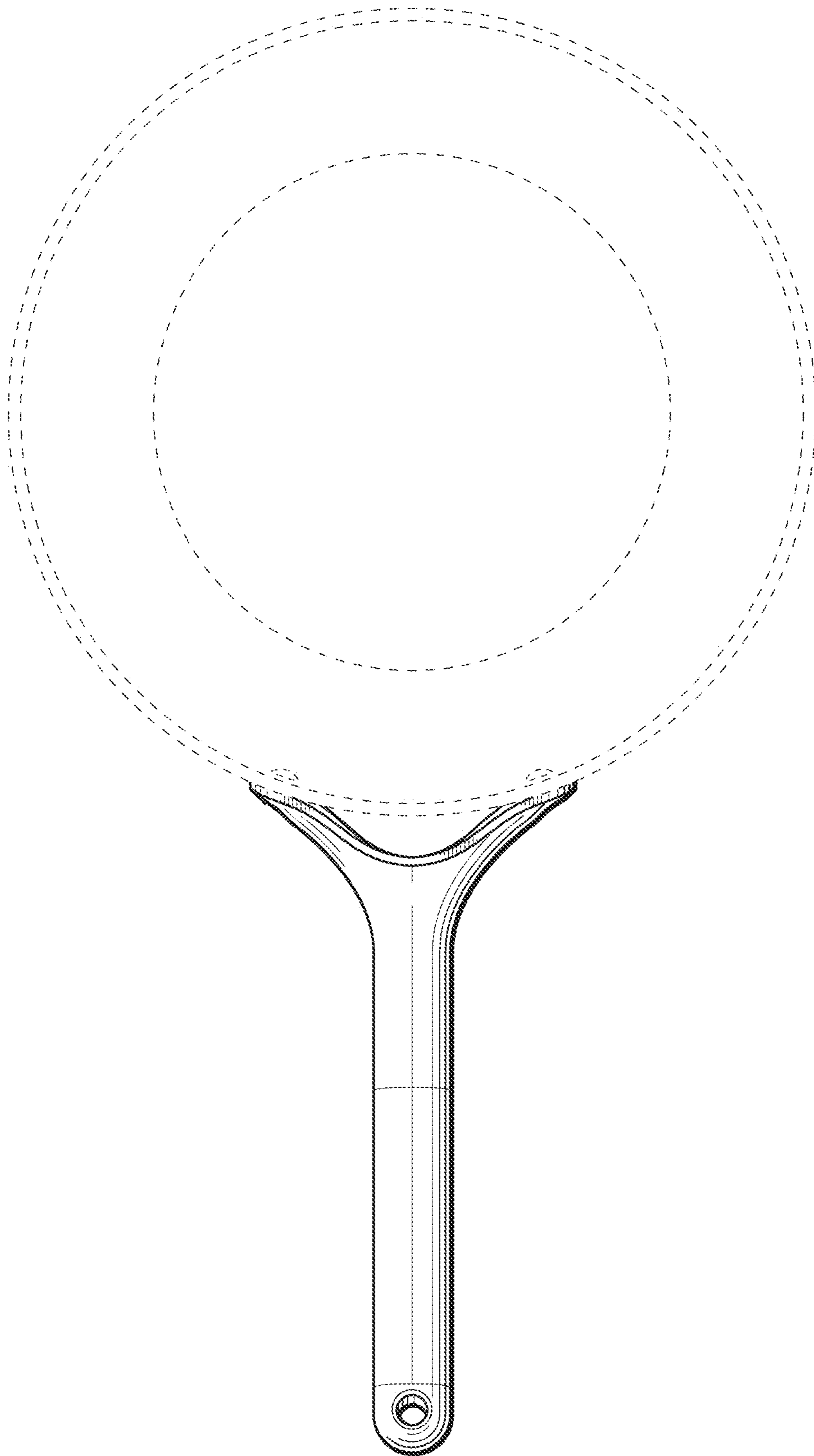


FIG. 5

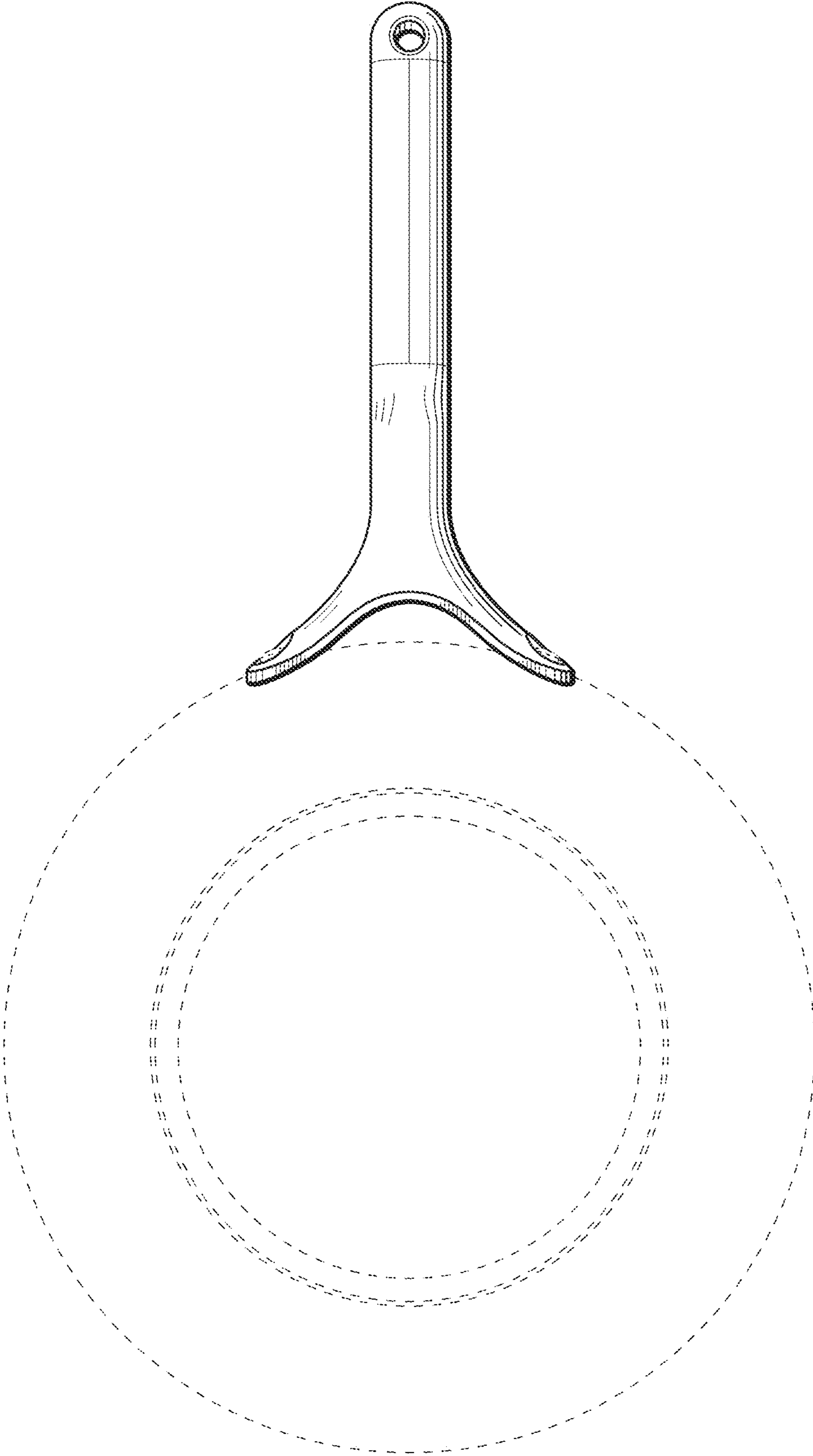


FIG. 6