



US00D908423S

(12) **United States Design Patent**
Xia et al.

(10) **Patent No.:** **US D908,423 S**
(45) **Date of Patent:** **** Jan. 26, 2021**

(54) **BOTTLE LID**

(71) Applicant: **ZHEJIANG FEIJIAN TECHNOLOGY CO., LTD.**, Jinhua (CN)

(72) Inventors: **Feijian Xia**, Yongkang (CN); **Chenhan Ouyang**, Anqing (CN); **Jinxiong Yan**, Yongkang (CN)

(73) Assignee: **ZHEJIANG FEIJIAN TECHNOLOGY CO., LTD.**, Jinhua (CN)

(**) Term: **15 Years**

(21) Appl. No.: **29/740,700**

(22) Filed: **Jul. 7, 2020**

(51) **LOC (13) Cl.** **07-99**

(52) **U.S. Cl.**
USPC **D7/392.1; D7/396.2; D9/443; D9/450**

(58) **Field of Classification Search**
USPC D9/434, 435, 439, 440, 442-450, D9/452-457, 499, 503-505, 682, 685, D9/686; D7/387, 391, 392, 392.1, 396.1, D7/396.2, 507, 509-511, 538, 900; D3/202, 203.2, 294, 318; D28/91, 91.1; D24/108, 111, 112; D23/213, 223
CPC .. A61J 1/00; A61J 1/1412; B65D 1/00; B65D 1/02; B65D 1/10; B65D 1/46; B65D 5/46; B65D 41/00; B65D 41/38; B65D 41/56; B65D 41/62; B65D 47/00; B65D 47/06; B65D 47/08; B65D 2251/00; B65D 2543/00046; B65D 2543/00092; B65D 2543/00296

See application file for complete search history.

(56) **References Cited**

U.S. PATENT DOCUMENTS

D632,176 S * 2/2011 McKinney D9/450
D649,879 S * 12/2011 Gullickson D9/443

D685,606 S * 7/2013 Keys D7/392.1
D688,093 S * 8/2013 Roth D9/447
8,602,238 B2 * 12/2013 El-Saden B65D 51/242
215/389
D704,986 S * 5/2014 Manies D7/392.1
D732,892 S * 6/2015 Keys D7/510
D781,654 S * 3/2017 Marquard D7/510
D799,320 S * 10/2017 Goodwin D7/392.1
D801,173 S * 10/2017 Lown D9/449
D801,174 S * 10/2017 Lown D9/443
D807,692 S 1/2018 Yao

(Continued)

Primary Examiner — Wendy L Arminio

(57) **CLAIM**

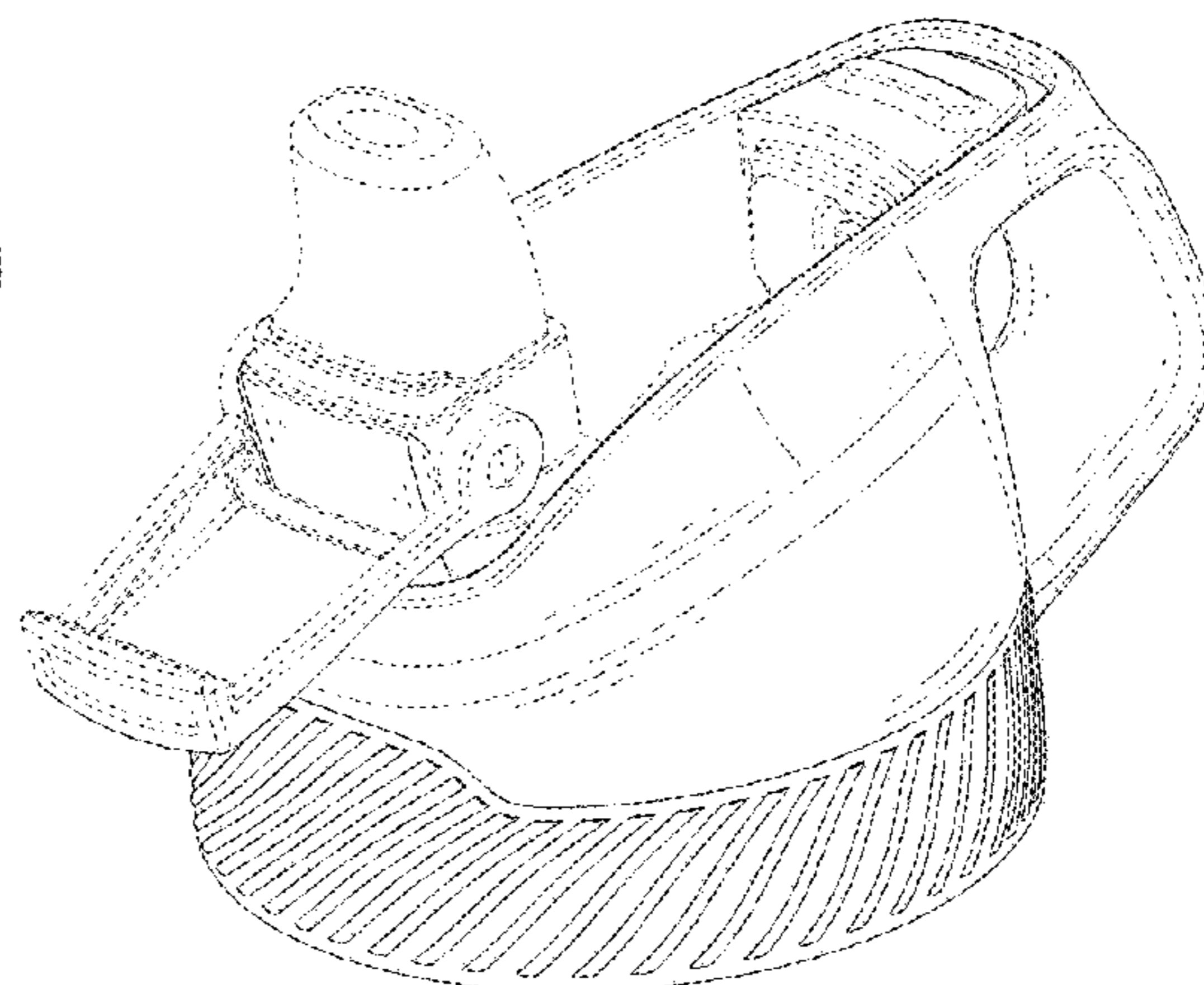
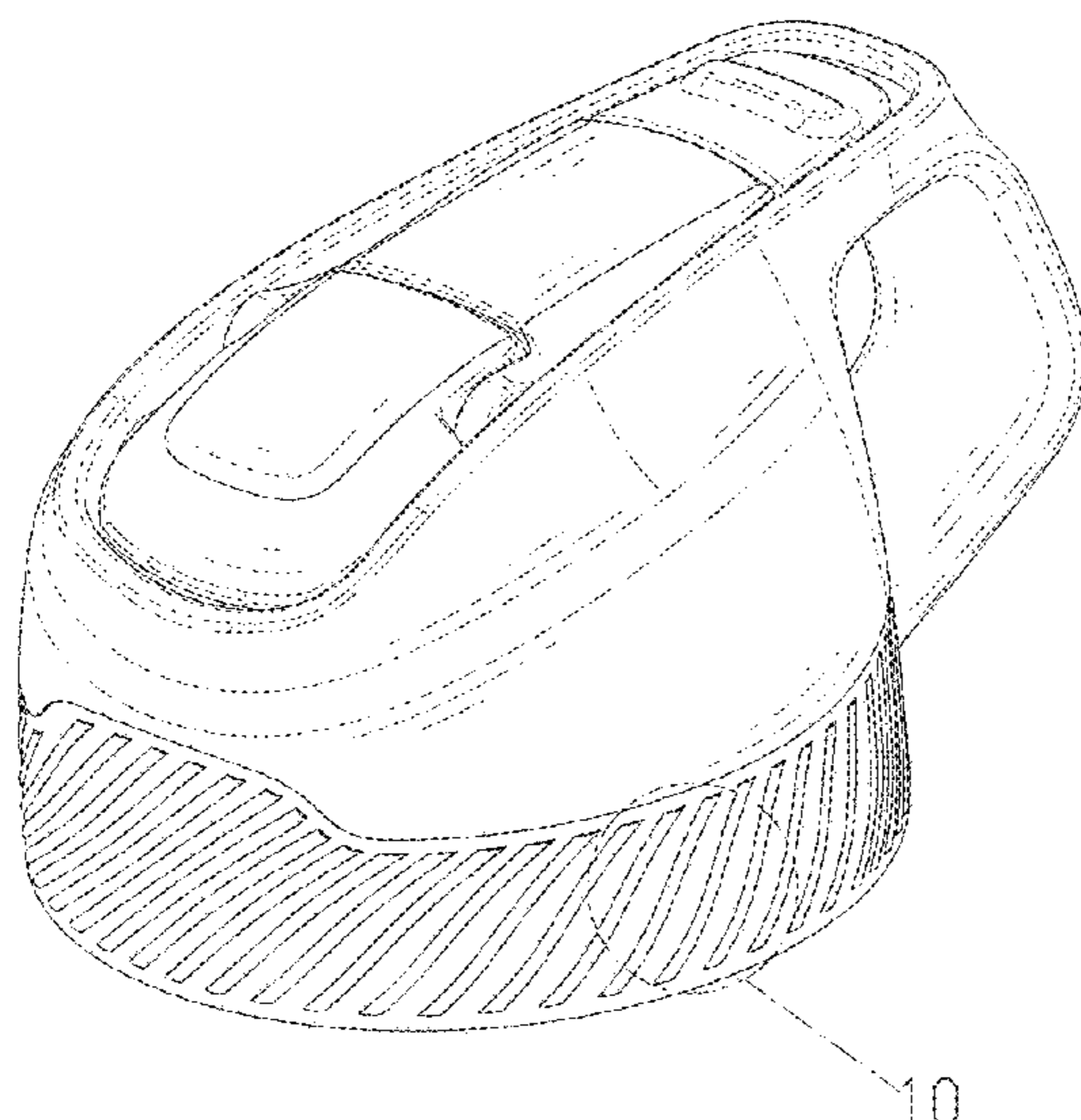
The ornamental design for a bottle lid, as shown and described.

DESCRIPTION

FIG. 1 is a top, front, right perspective view of a bottle lid showing our new design;
FIG. 2 is a bottom rear left perspective view thereof;
FIG. 3 is a front elevational view thereof;
FIG. 4 is a rear elevational view thereof;
FIG. 5 is a left side elevational view thereof;
FIG. 6 is a right side elevational view thereof;
FIG. 7 is a top plan view thereof;
FIG. 8 is a bottom plan view thereof;
FIG. 9 is a top, front, right perspective view of the bottle lid of FIG. 1 showing the bottle lid in an alternative in use configuration; and,
FIG. 10 is an enlarged detail view of area 10 shown in FIG. 1.

The dash-dash broken lines in the drawings depict portions of the bottle lid that form no part of the claimed design. The dash-dot-dash broken line encircling the area of the detail in FIG. 1 and surrounding FIG. 10 denotes the boundary of the enlarged detail and forms no part of the claimed design.

1 Claim, 10 Drawing Sheets



(56)

References Cited

U.S. PATENT DOCUMENTS

D810,500 S * 2/2018 Maple D7/392.1
D818,317 S * 5/2018 Fu D7/510
D830,771 S * 10/2018 Lin D7/511
D830,772 S * 10/2018 Rosette D7/510
D835,938 S * 12/2018 Zou D7/396.2
D844,376 S * 4/2019 Rosette D7/392.1
D867,812 S * 11/2019 Lane D7/392
D869,229 S * 12/2019 Hao D7/392.1
D871,144 S * 12/2019 Zhang D7/510
D878,855 S * 3/2020 Nucci D7/396.2
D886,518 S * 6/2020 Li D7/392.1
D887,775 S * 6/2020 Bo D7/392.1
D887,776 S * 6/2020 Bo
D897,760 S * 10/2020 Feng D7/392.1
D899,181 S * 10/2020 Xie D7/392.1

* cited by examiner

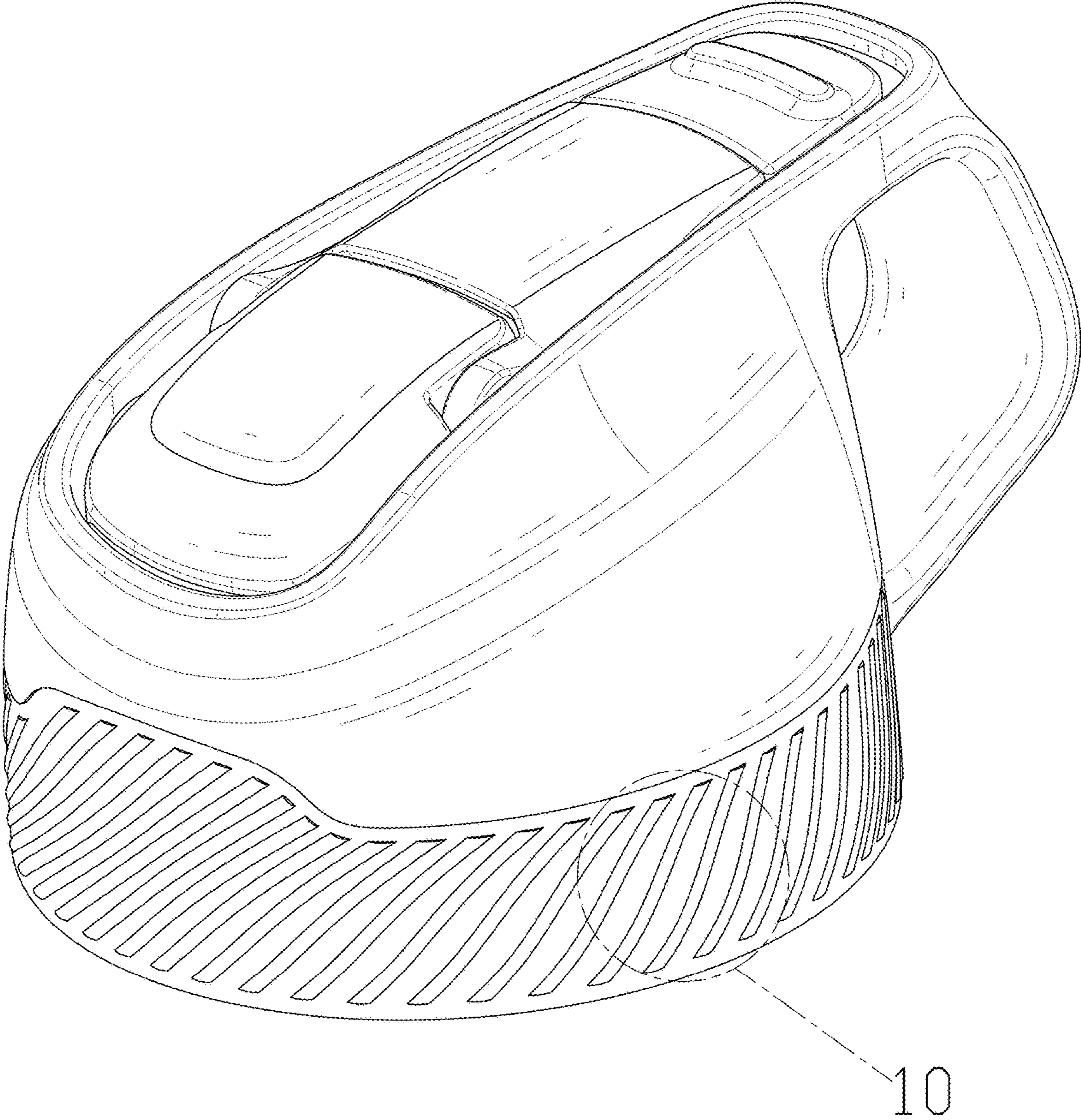


FIG. 1

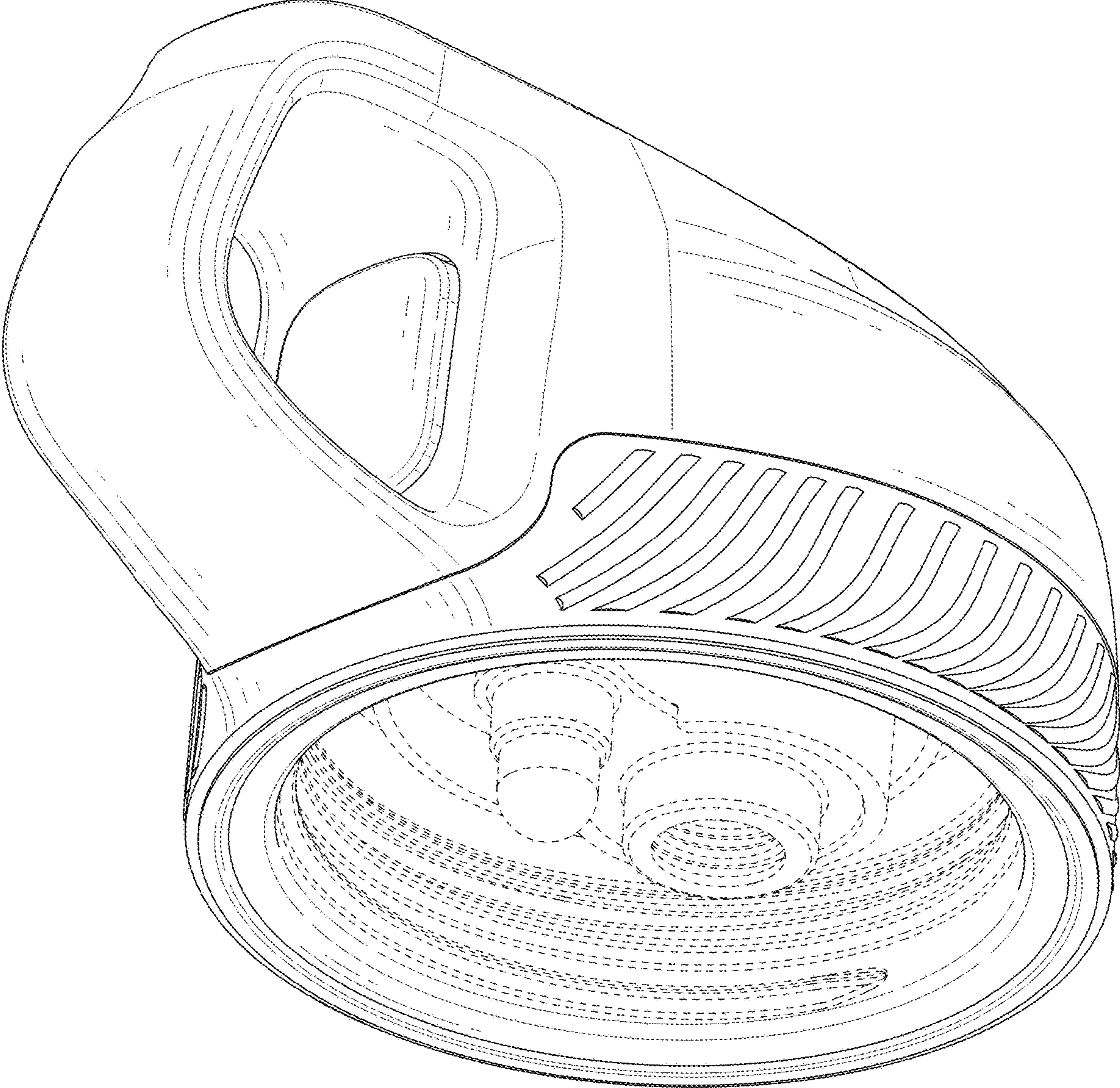


FIG. 2

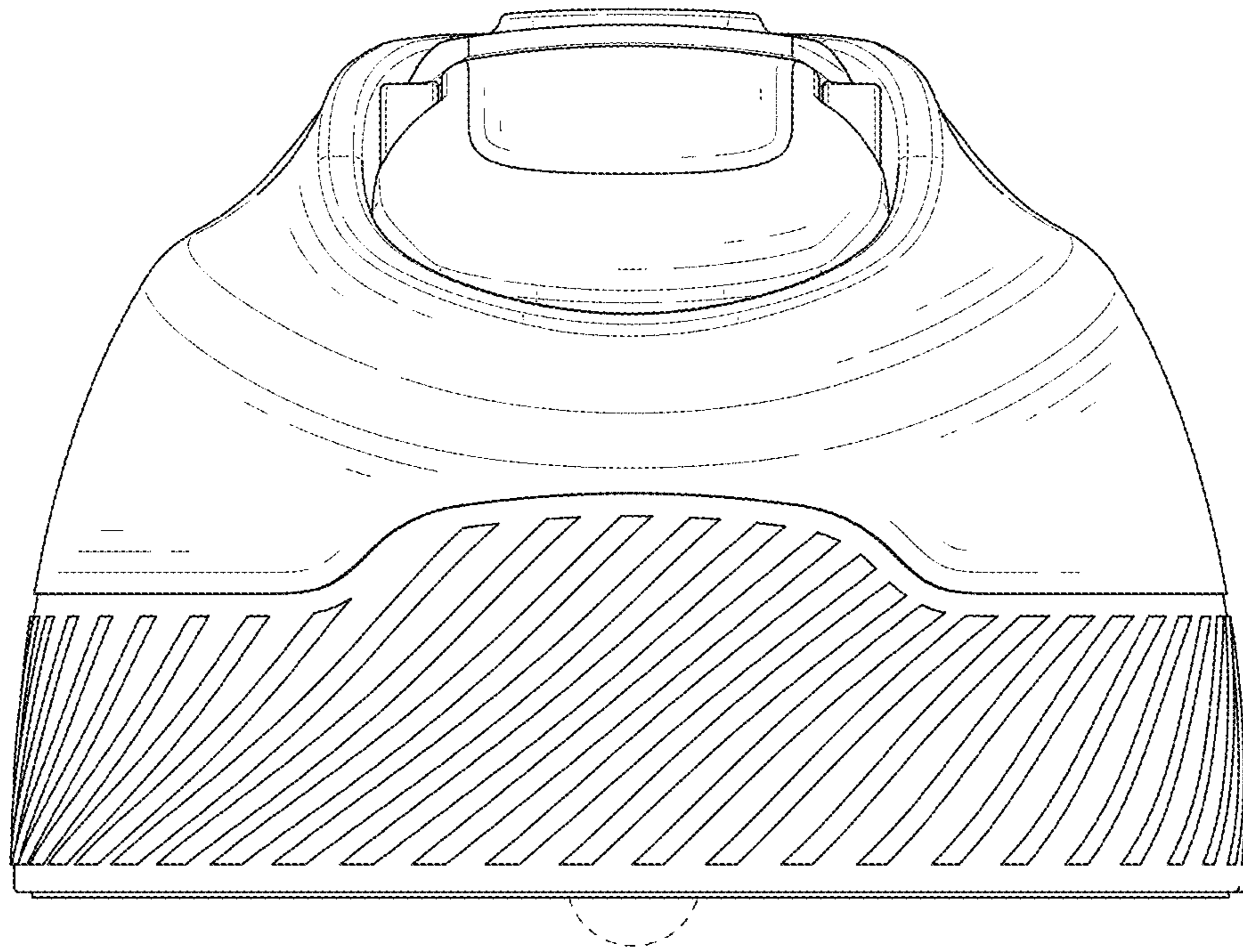


FIG. 3

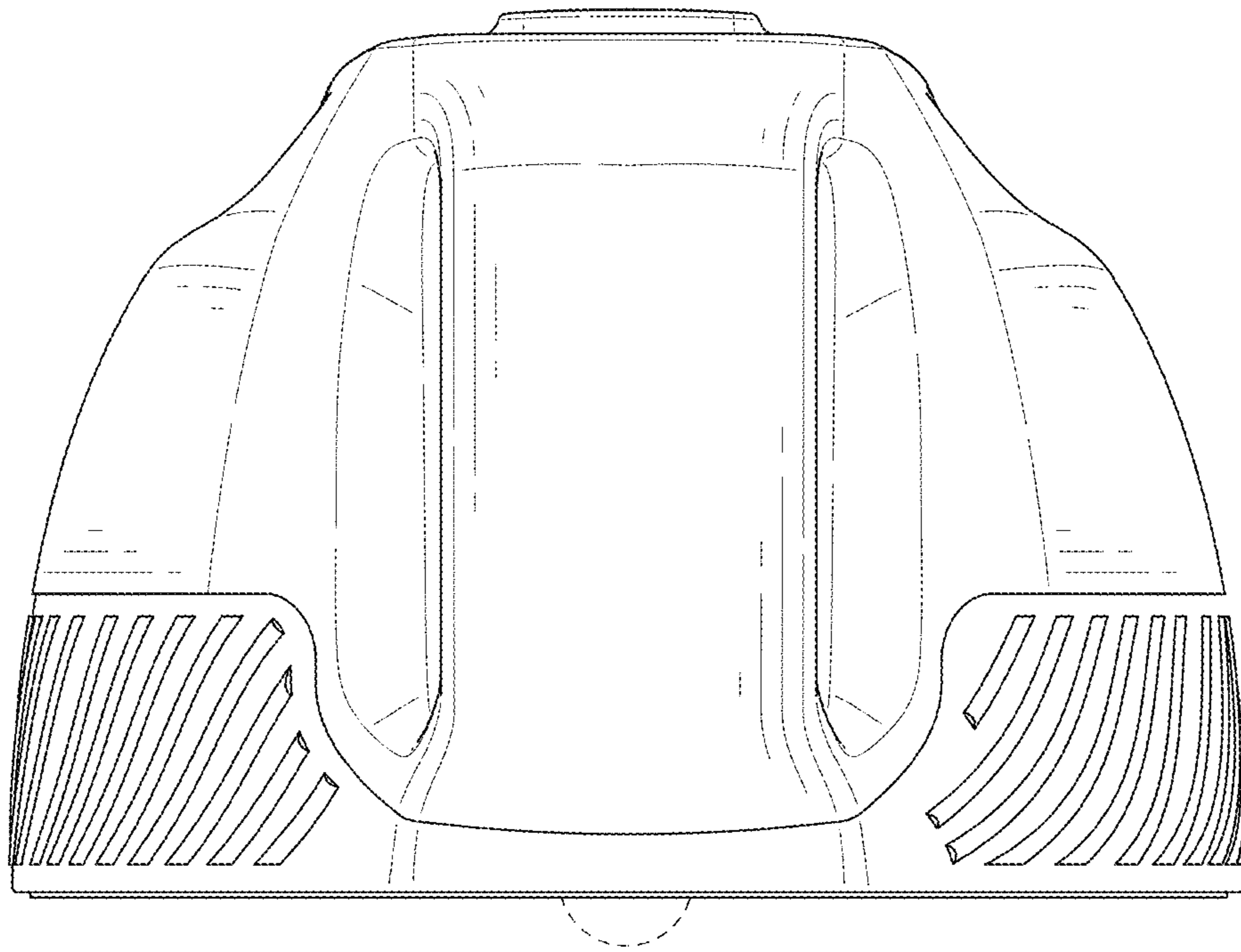


FIG. 4

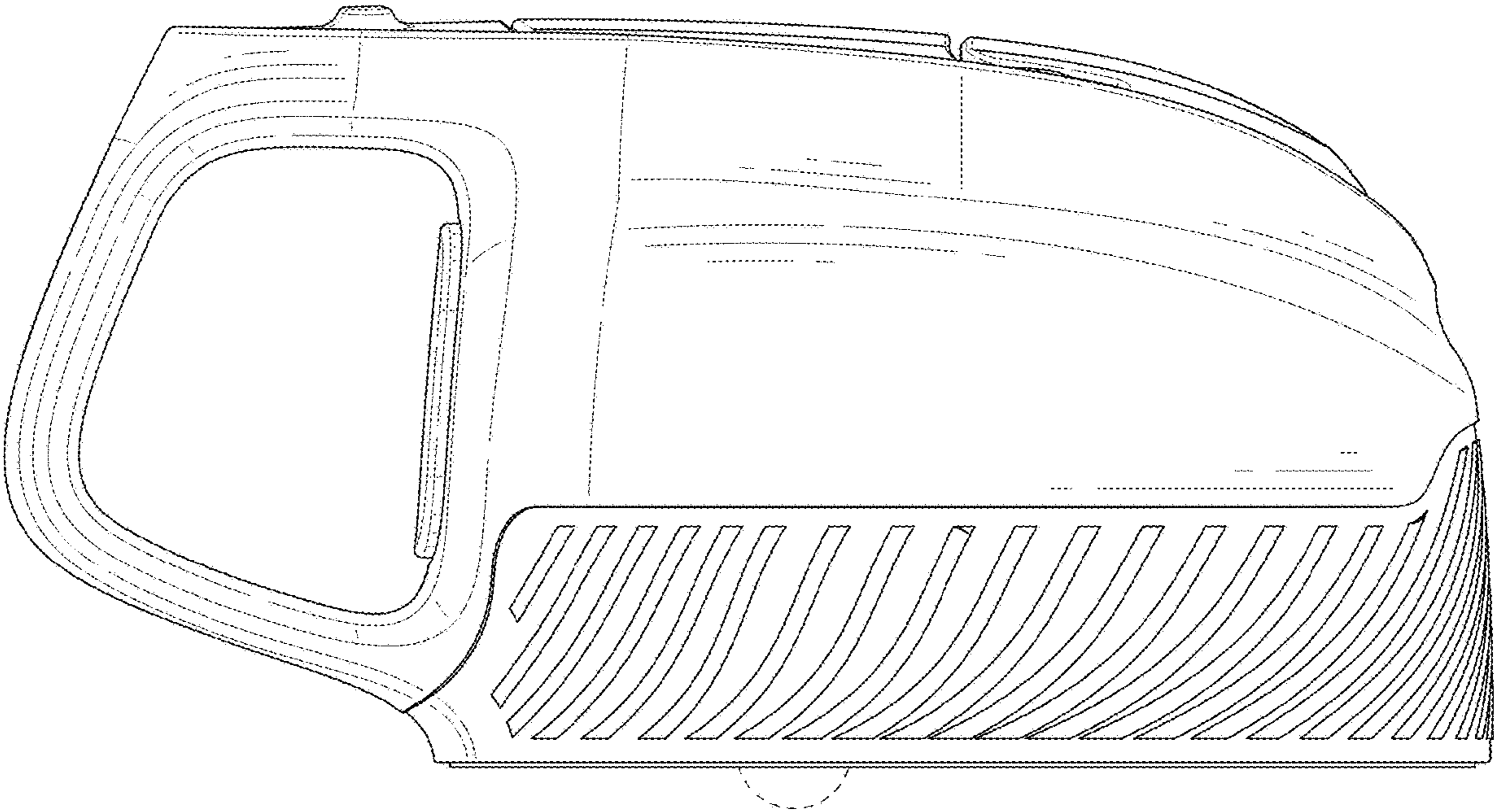


FIG. 5

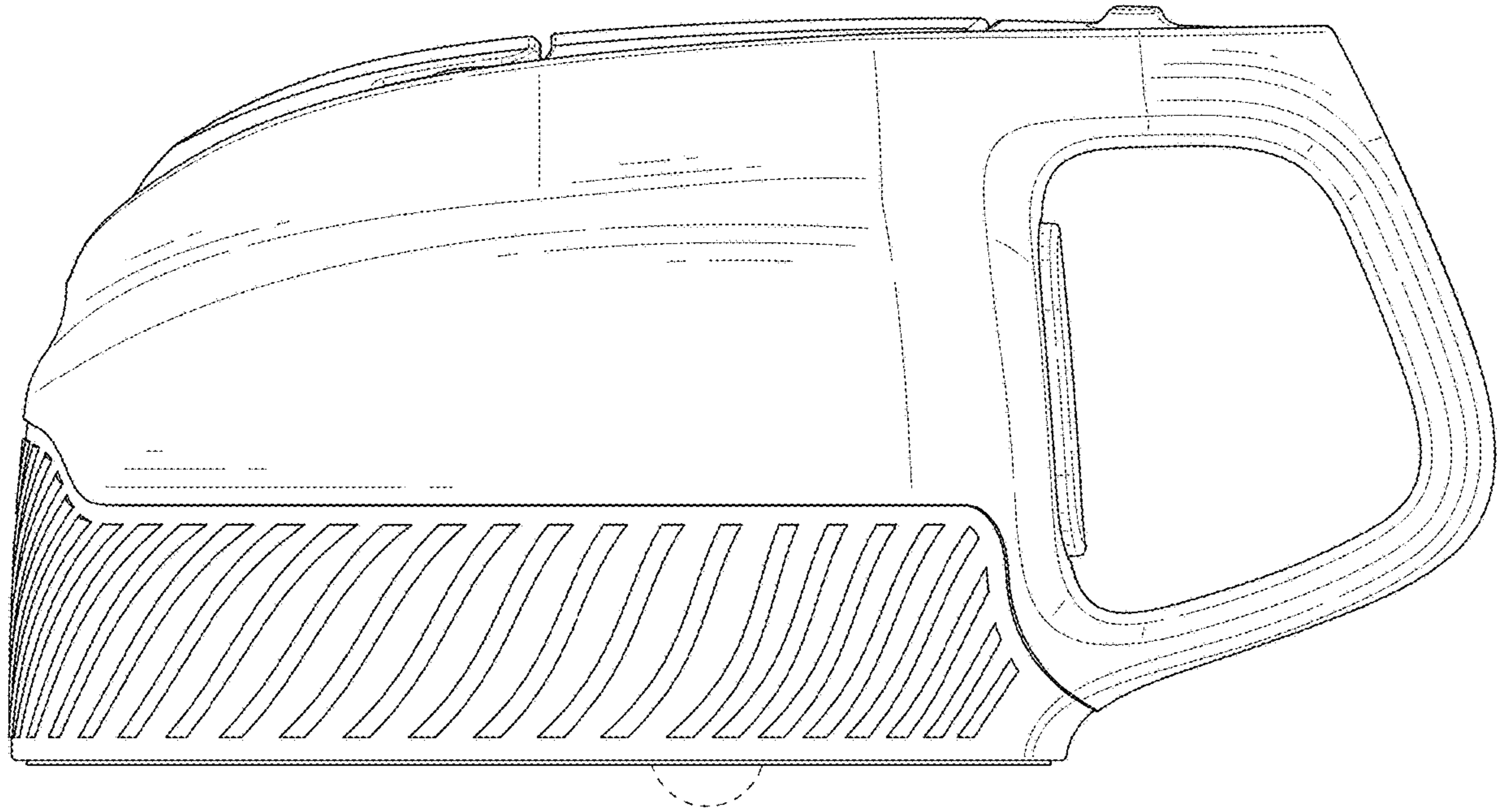


FIG. 6

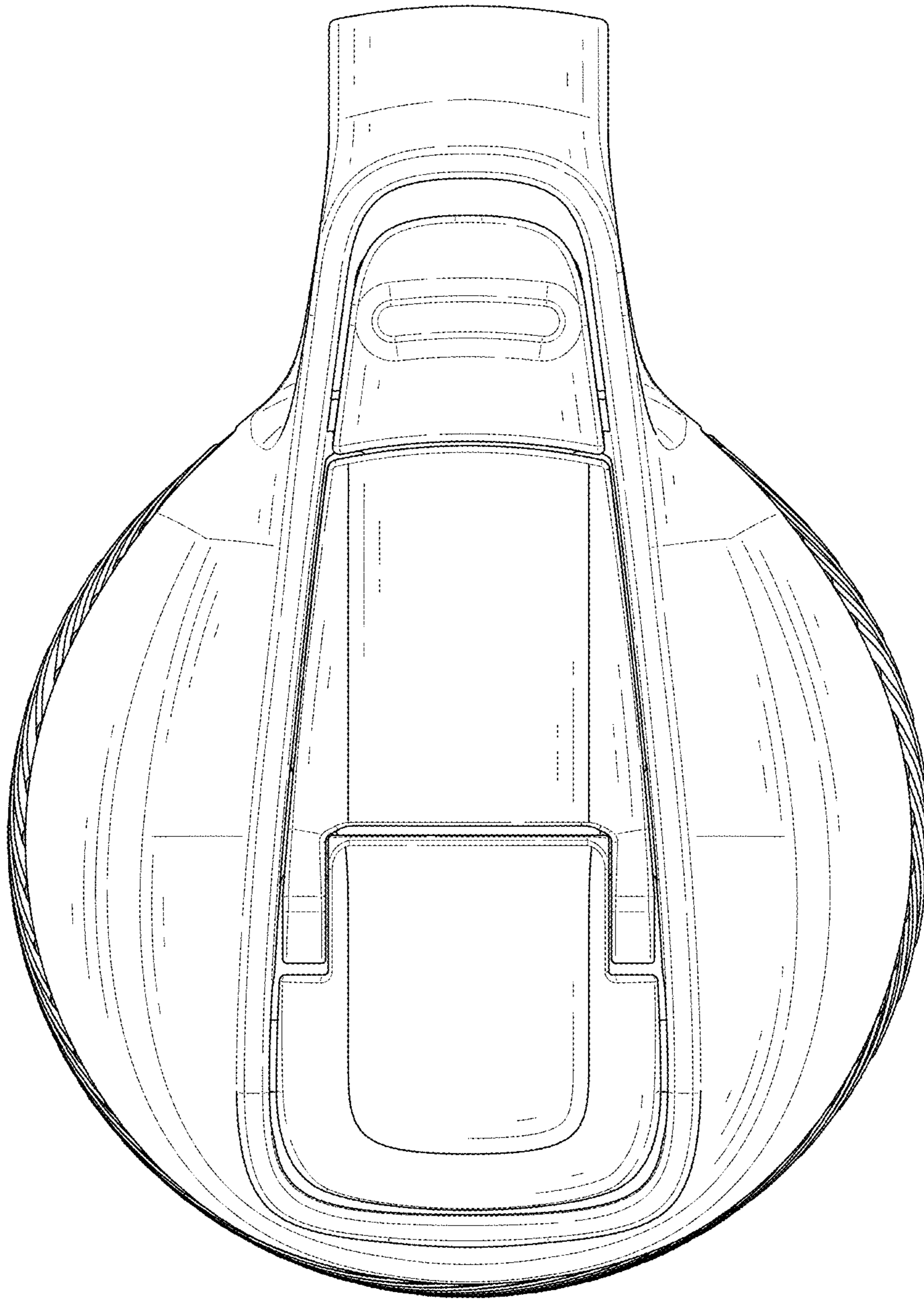


FIG. 7

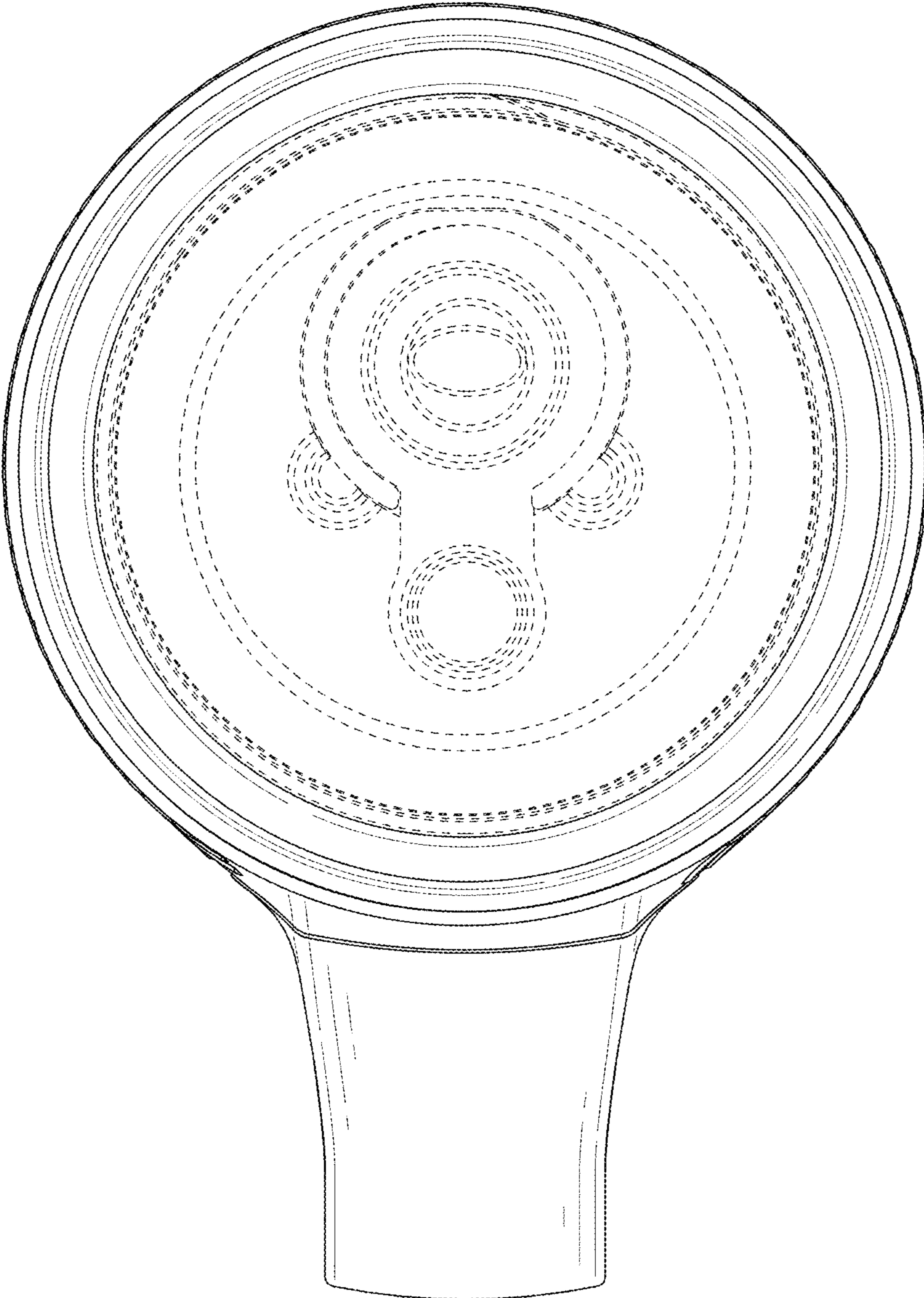


FIG. 8

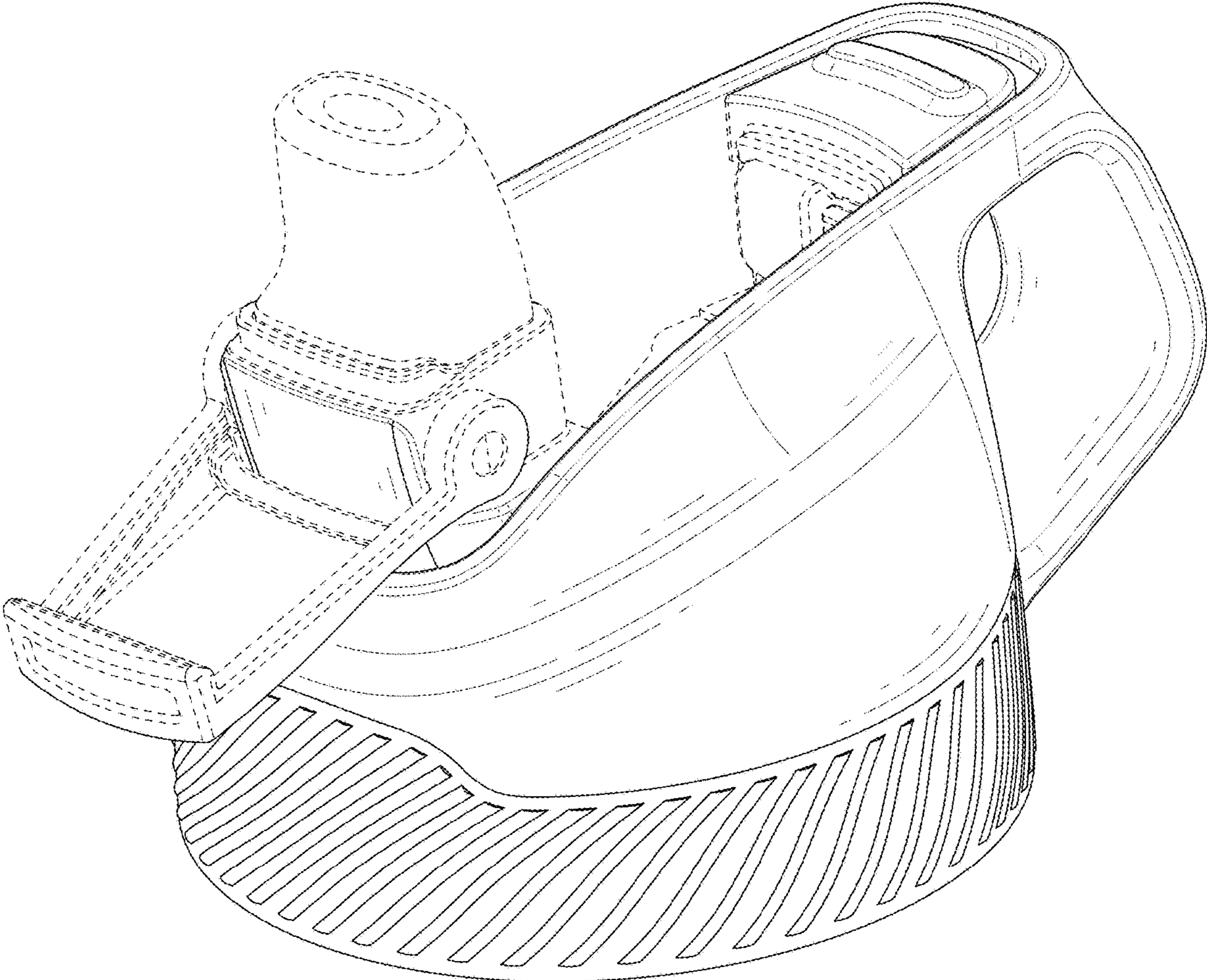


FIG. 9

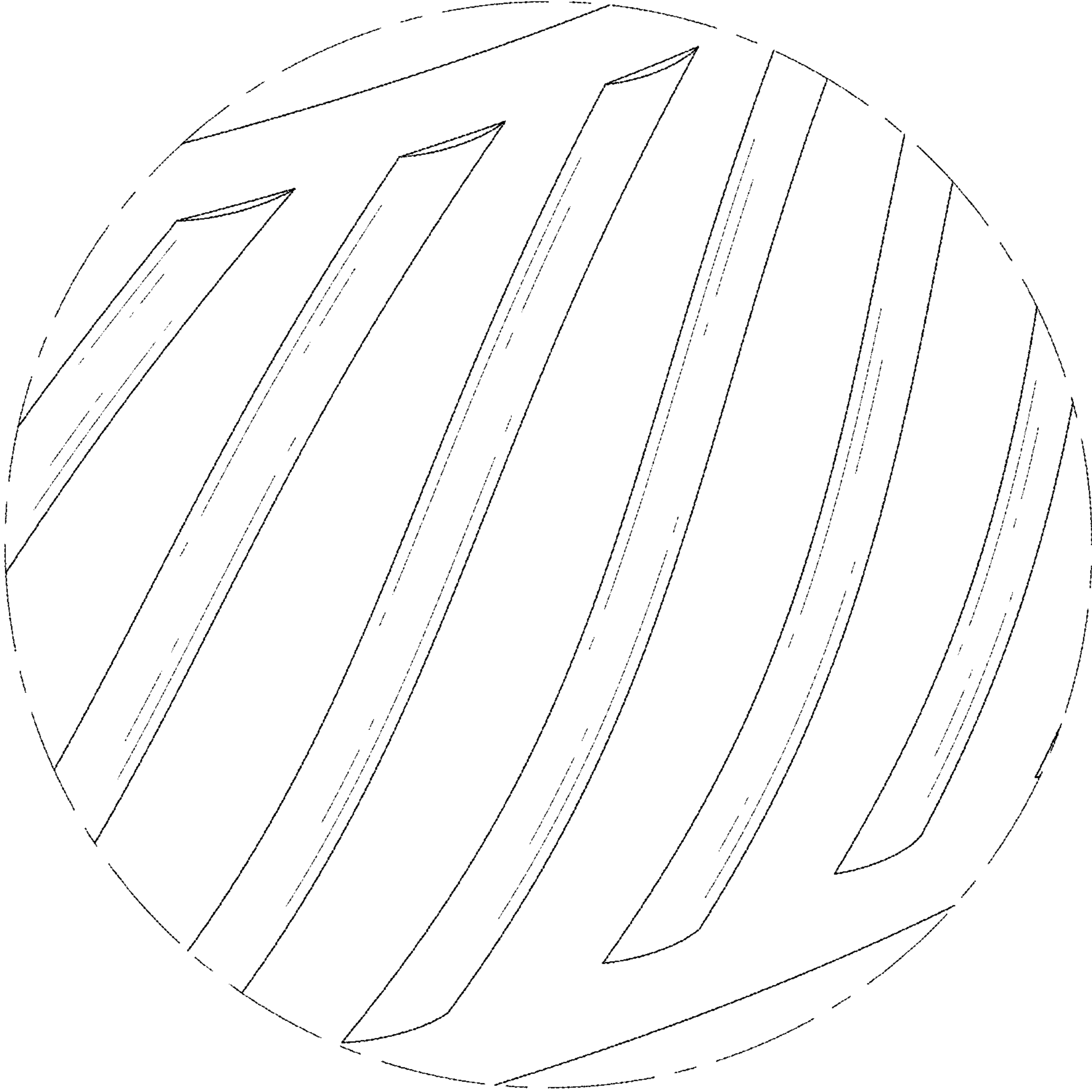


FIG. 10