



US00D908422S

(12) **United States Design Patent**
Baron et al.

(10) **Patent No.:** **US D908,422 S**
(45) **Date of Patent:** **** Jan. 26, 2021**

- (54) **MASON JAR LID**
- (71) Applicant: **MASONTOPS, INC.**, Toronto (CA)
- (72) Inventors: **Philip Baron**, Toronto (CA); **Michael Bacher**, Toronto (CA)
- (73) Assignee: **Masontops, Inc.**, Toronto (CA)
- (**) Term: **15 Years**

- D608,195 S * 1/2010 Germann D9/443
 - D651,044 S 12/2011 Gilbert
 - D674,241 S 1/2013 Bickert et al.
 - D680,805 S 4/2013 Rosbach
 - D697,366 S 1/2014 Kristinik
 - D714,146 S 9/2014 King et al.
 - D721,963 S 2/2015 Finkbohner et al.
 - D723,370 S 3/2015 Medlin
 - D727,152 S 4/2015 Yaseen
- (Continued)

- (21) Appl. No.: **29/732,103**
- (22) Filed: **Apr. 21, 2020**

Related U.S. Application Data

- (63) Continuation of application No. 29/701,667, filed on Aug. 13, 2019, now Pat. No. Des. 881,641, which is a continuation of application No. 29/663,021, filed on Sep. 11, 2018, now Pat. No. Des. 856,070, which is a continuation of application No. 29/604,259, filed on May 16, 2017, now Pat. No. Des. 828,085.

- (51) **LOC (13) Cl.** **07-99**
- (52) **U.S. Cl.**
USPC **D7/392.1**; D9/454; D9/443; D7/392
- (58) **Field of Classification Search**
USPC D7/391, 510, 511, 538, 540, 542, 543, D7/544, 545, 629, 392.1, 392; D9/452, D9/453, 454, 435, 447, 449, 780, 434, D9/440
CPC ... A47G 19/2205; A47G 19/2222; A45F 3/16; A45F 3/20; B67D 7/06; B67D 1/0004; B65D 25/14; B65D 47/065; B65D 47/066
See application file for complete search history.

(56) **References Cited**

U.S. PATENT DOCUMENTS

- | | | |
|-------------|--------|---------------|
| 5,529,217 A | 6/1996 | Siegel |
| D500,677 S | 1/2005 | Druitt |
| D501,362 S | 2/2005 | Gauss |
| D517,322 S | 3/2006 | Zettle et al. |
| D542,656 S | 5/2007 | Szczesniak |

OTHER PUBLICATIONS

Masontops.com, Tough Tops—Ourable & Leak-Proof Mason Jar Lids, Publication date unknown, [site visited Apr. 10, 2018], Available on the Internet URL <https://www.masontops.com/collections/storage-solutions/products/tough-tops-leak-proof-reusable-mason-jar-storage-lids-wide-mouth>.

Primary Examiner — Karen S Acker
Assistant Examiner — Steven B Reinholdt, Jr.
(74) *Attorney, Agent, or Firm* — McAndrews, Held & Malloy, Ltd.

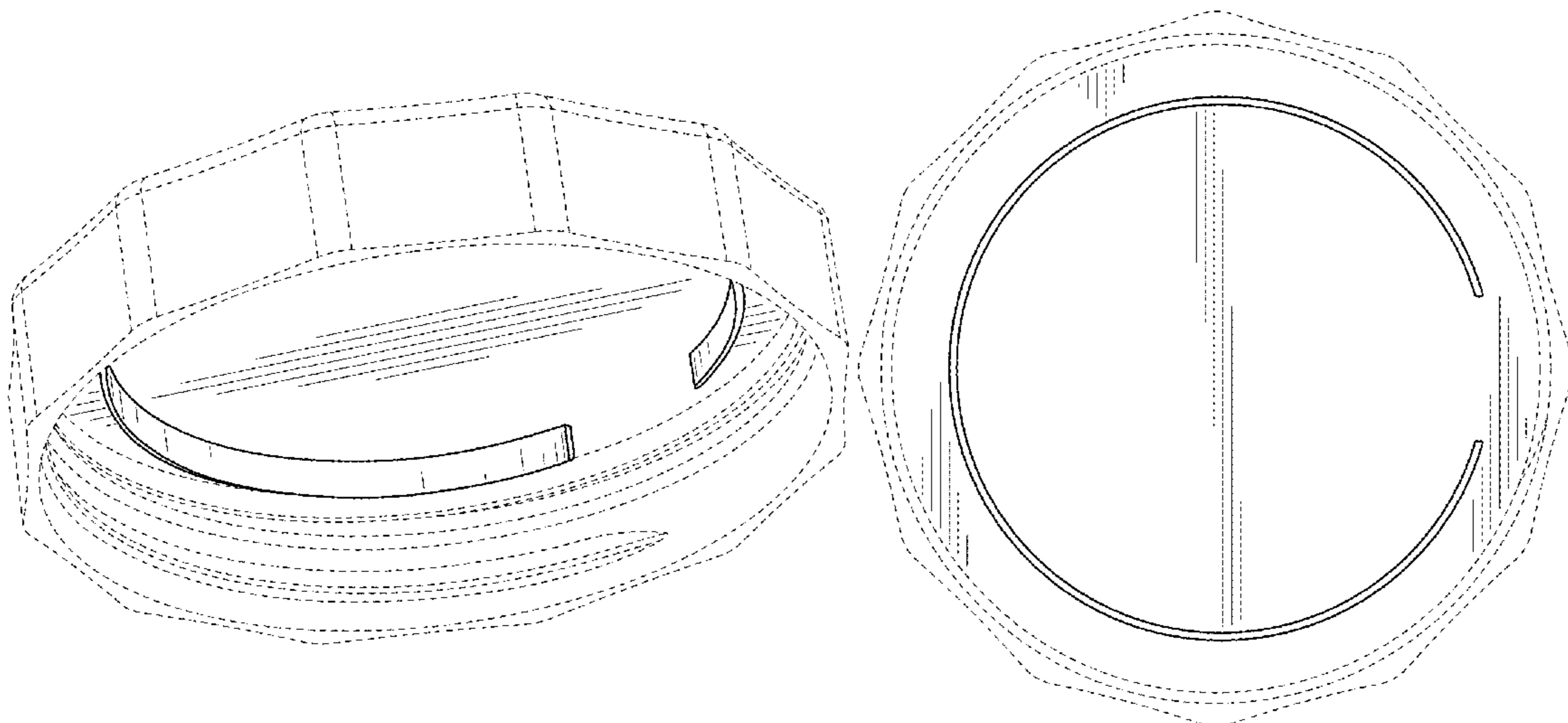
(57) **CLAIM**

The ornamental design for a mason jar lid, as shown and described.

DESCRIPTION

FIG. 1 is a bottom rear perspective view of a mason jar lid showing our new design;
FIG. 2 is a bottom front perspective view thereof;
FIG. 3 is a front elevation view thereof;
FIG. 4 is a rear elevation view thereof;
FIG. 5 is a right side elevation view thereof;
FIG. 6 is a left side elevation view thereof;
FIG. 7 is a top plan view thereof; and,
FIG. 8 is a bottom plan view thereof.
The dashed broken lines and unshaded areas within them in the figures illustrate portions of the mason jar lid that form no part of the claimed design.

1 Claim, 3 Drawing Sheets



(56)

References Cited

U.S. PATENT DOCUMENTS

D756,221	S	5/2016	Koop et al.	
D756,710	S	8/2016	Greenfield	
D763,690	S	8/2016	Greenfield	
D769,069	S	10/2016	Sanbar	
D769,119	S	10/2016	Hooker et al.	
D799,269	S	10/2017	Vargo	
D799,272	S	10/2017	Pisarevsky	
D804,907	S	12/2017	Sandoval	
D813,671	S	3/2018	Arthur et al.	
D826,631	S *	8/2018	Baron	D7/392.1
D828,085	S	9/2018	Baron et al.	
D838,140	S	1/2019	Furneaux et al.	
D839,739	S	2/2019	Stammen et al.	
D839,740	S	2/2019	Stammen et al.	
D850,911	S	6/2019	Holmes	
D855,389	S *	8/2019	Waggoner	D7/392.1
D856,064	S *	8/2019	Baron	D7/392
D856,070	S	8/2019	Baron et al.	
D866,248	S	11/2019	Baron et al.	
D869,274	S	12/2019	Kim	
10,501,244	B2	12/2019	Bacher et al.	
10,512,347	B1 *	12/2019	Shepard	B65D 47/148
D876,237	S *	2/2020	Rust	D9/454
D881,641	S *	4/2020	Baron	D7/392.1
D885,891	S *	6/2020	Bacher	B65D 43/0231
				D9/436
D893,242	S *	8/2020	Baron	D7/392
2015/0320246	A1	11/2015	Jorge	
2017/0055743	A1	3/2017	Jorge	

* cited by examiner

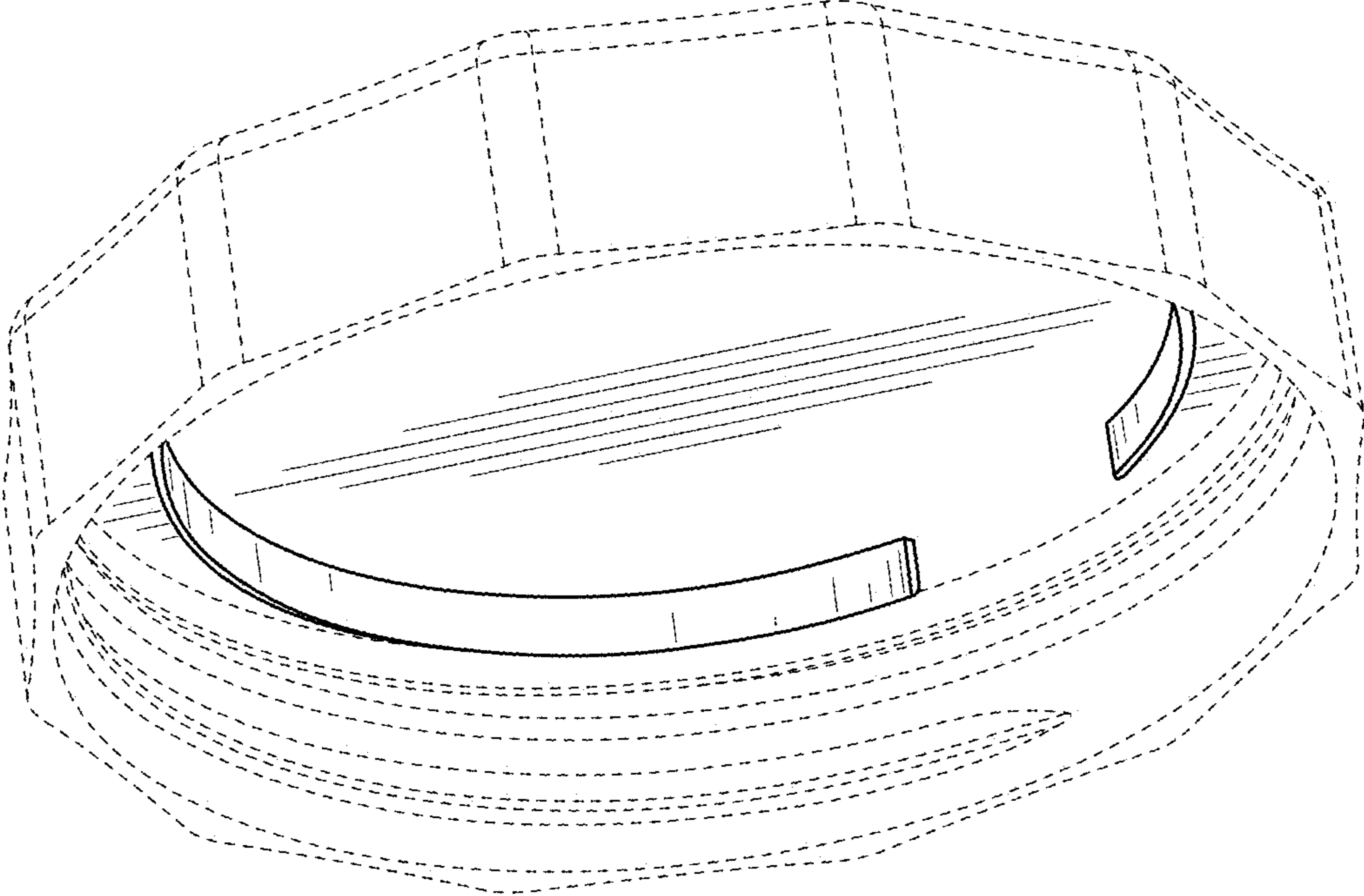


FIG. 1

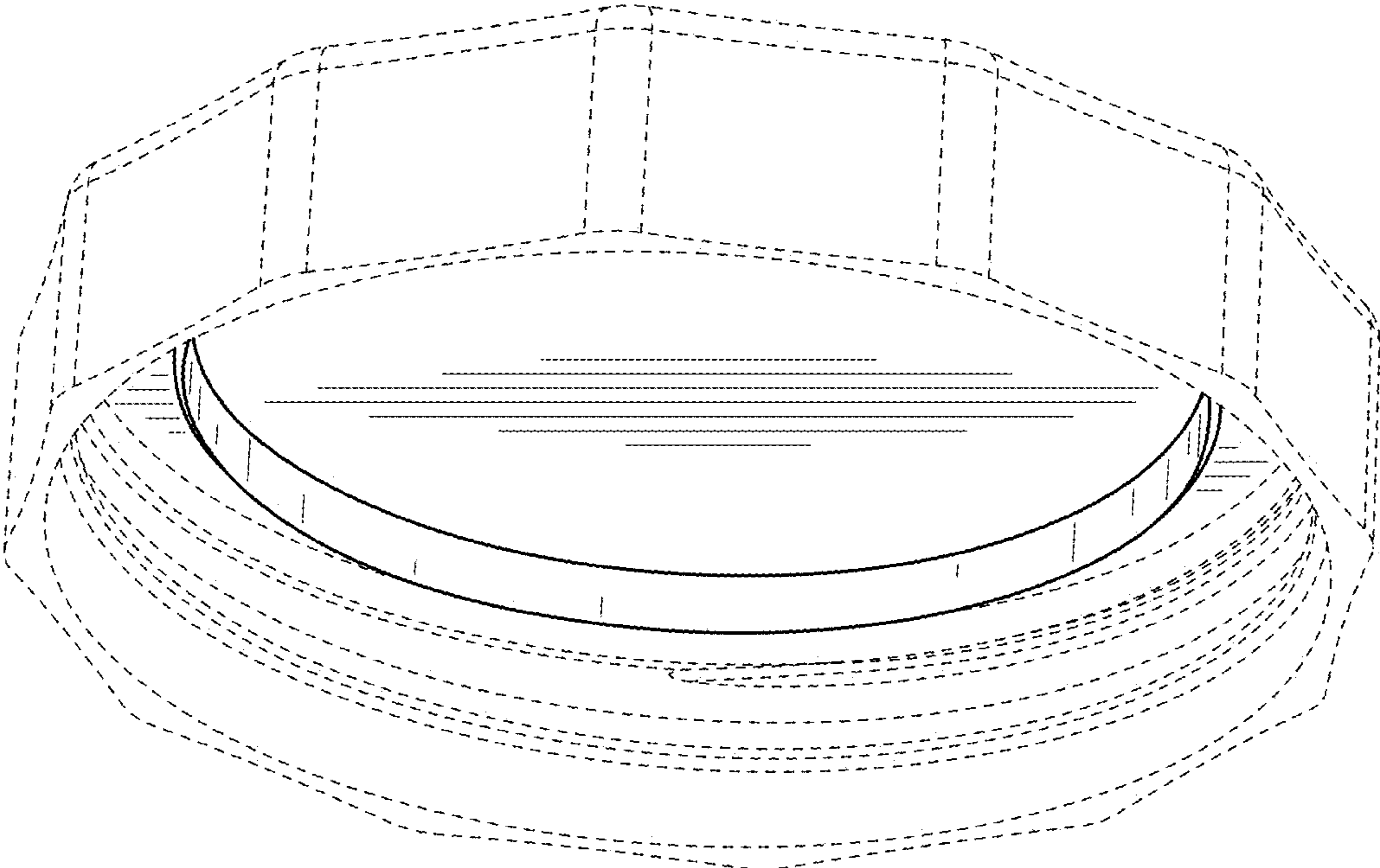


FIG. 2

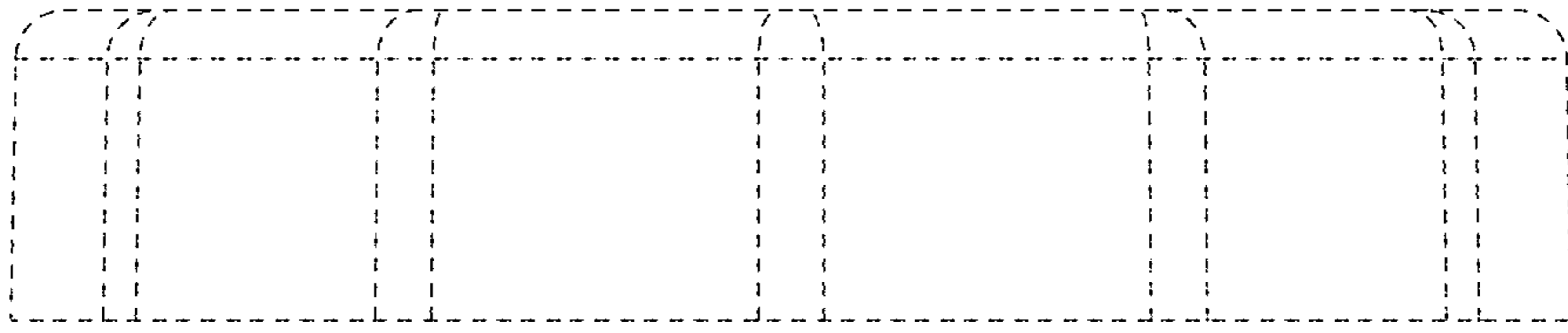


FIG. 3

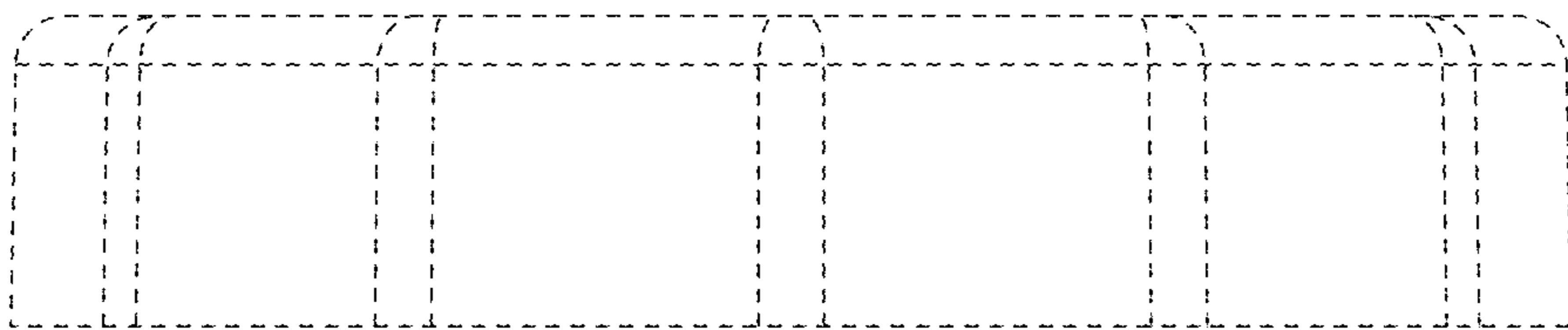


FIG. 4

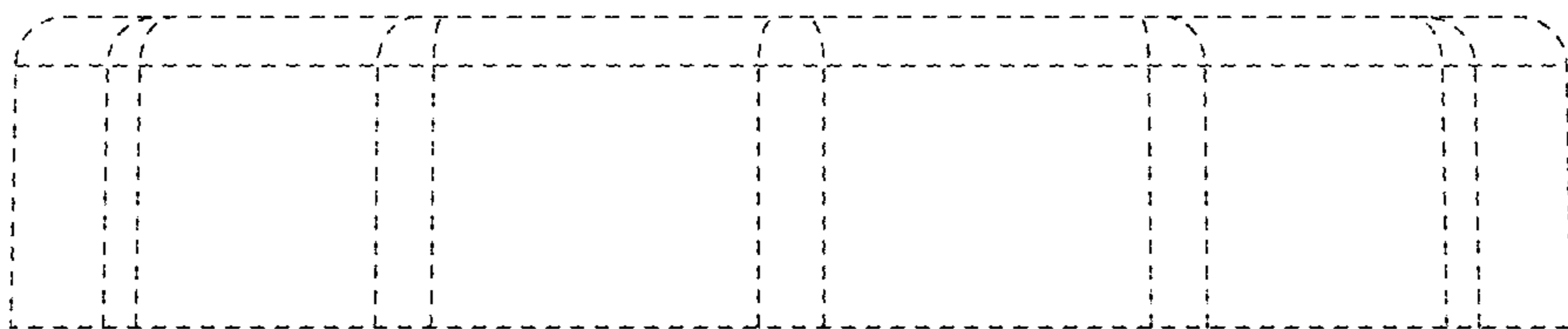


FIG. 5

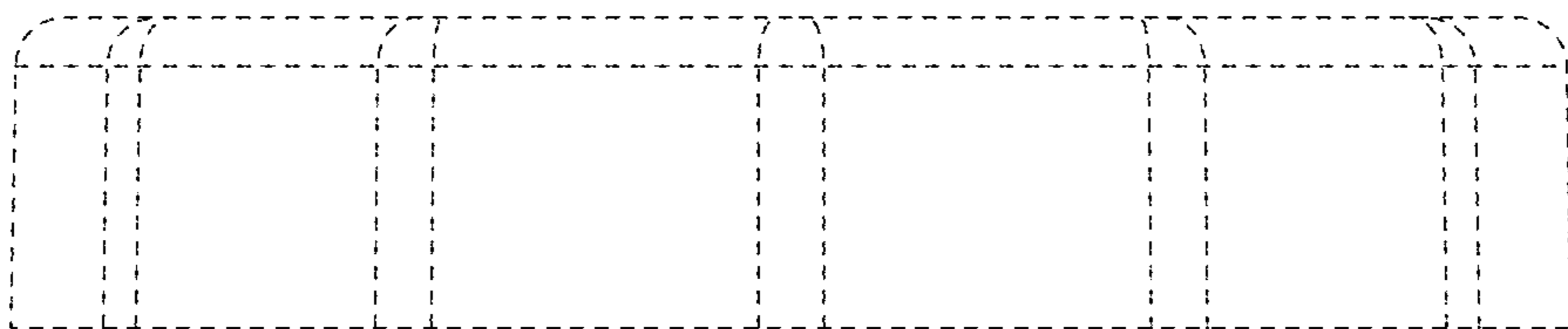


FIG. 6

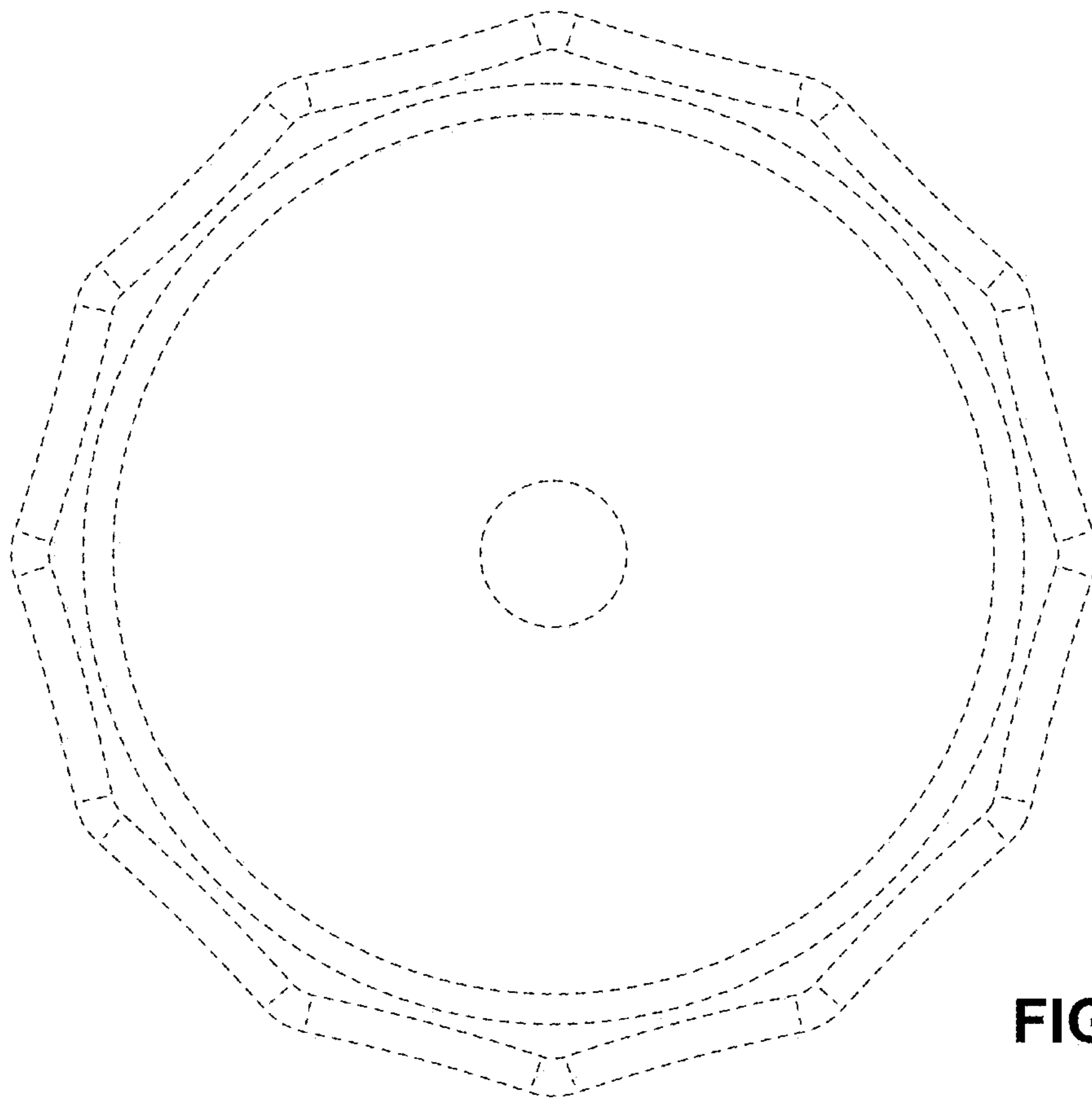


FIG. 7

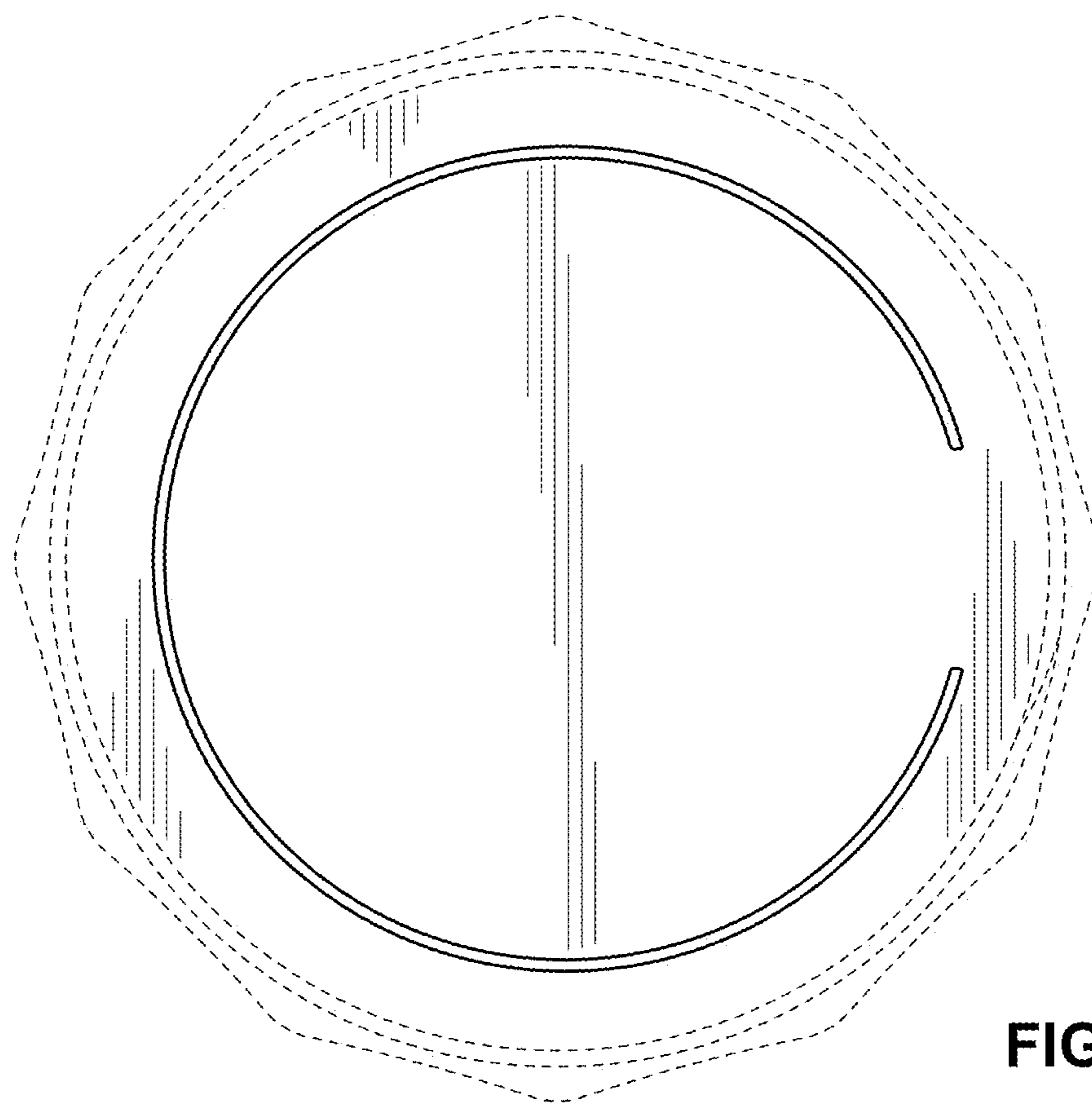


FIG. 8