



US00D908420S

(12) **United States Design Patent** (10) **Patent No.:** **US D908,420 S**
Liu (45) **Date of Patent:** **** Jan. 26, 2021**

(54) **LID FOR A CONTAINER**
(71) Applicant: **SHENZHEN LIKAWEI ELECTRONIC TECHNOLOGY CO., LTD.**, Shenzhen (CN)
(72) Inventor: **Xiao Liu**, Shenzhen (CN)
(**) Term: **15 Years**
(21) Appl. No.: **29/736,464**

D771,431 S 11/2016 Affatato et al.
D800,494 S * 10/2017 Peng D7/391
D803,631 S * 11/2017 Min D7/605
D820,636 S 6/2018 Zhang
D822,301 S * 7/2018 Ricks D34/7
D828,084 S * 9/2018 Zhang D7/392.1
D828,717 S 9/2018 Zhang
D853,179 S 7/2019 Duvigneau
D861,416 S 10/2019 Zhang
D862,155 S * 10/2019 Dai D7/391
D869,228 S 12/2019 Zhang

(Continued)

(22) Filed: **May 30, 2020**
(51) **LOC (13) Cl.** **07-02**
(52) **U.S. Cl.**
USPC **D7/391**
(58) **Field of Classification Search**
USPC D34/7; D7/391, 392, 392.1, 393, 397,
D7/601-602, 605, 629-630, 538-542;
D9/414, 424-432, 435, 451-452
CPC A47J 36/027; A47J 36/06; A47J 37/10;
A47J 37/101; B65D 21/0209; B65D
43/00; B65D 43/02; B65D 43/0212;
B65D 43/022; B65D 43/161; B65D
43/162; B65D 45/00; B65D 45/16; B65D
45/18; B65D 45/20; B65D 51/16; B65D
51/1683; B65D 51/1688; B65D 51/1694;
B65D 2251/00; B65F 1/1615
See application file for complete search history.

OTHER PUBLICATIONS

AILTEC [3-Pack,36 OZ]Large Glass Food Storage Containers with Locking Lids. Date First Available on Amazon.com Aug. 22, 2019. <https://www.amazon.com/dp/B07WXGXHZZ/> (Year: 2019).*

Primary Examiner — Ricky Pham
(74) *Attorney, Agent, or Firm* — Law Offices of Steven W. Weinrieb

(57) **CLAIM**

The ornamental design for a lid for a container, as shown and described.

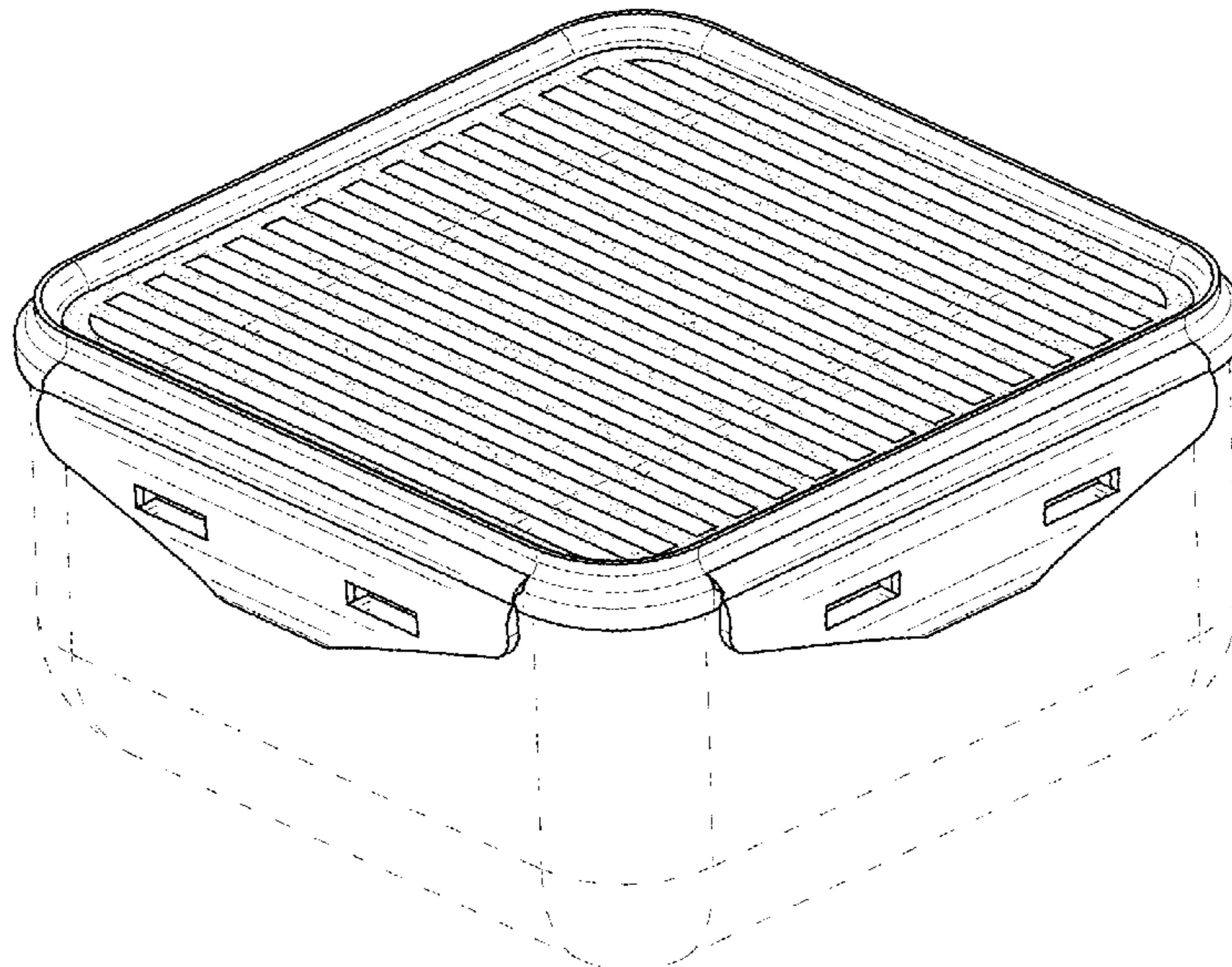
DESCRIPTION

FIG. 1 is a front, right side, top perspective view of a lid for a container showing my new design;
FIG. 2 is a front elevational view thereof, the rear view being a mirror image;
FIG. 3 is a left side elevational view thereof, the right side view being a mirror image;
FIG. 4 is a top plan view thereof;
FIG. 5 is a bottom plan view thereof; and,
FIG. 6 is a front, right side, top perspective view thereof when the lid for a container is applied to a container.
The broken lines depict environment within which the lid for a container is used and forms no part of the claimed design.

(56) **References Cited**
U.S. PATENT DOCUMENTS

D516,376 S * 3/2006 Kim D7/392.1
D528,357 S * 9/2006 Hsu D7/392.1
D536,571 S * 2/2007 Kim D7/391
D549,519 S * 8/2007 Moon D7/391
D580,218 S * 11/2008 Kim D7/391
D677,116 S * 3/2013 Smyers D7/391
D708,898 S * 7/2014 Carlson D7/391
D730,112 S 5/2015 Yessin et al.
D740,601 S 10/2015 Carlson

1 Claim, 6 Drawing Sheets



(56)

References Cited

U.S. PATENT DOCUMENTS

D879,549 S	3/2020	Zhang	
2005/0035125 A1 *	2/2005	Bae	B65D 45/20 220/326

* cited by examiner

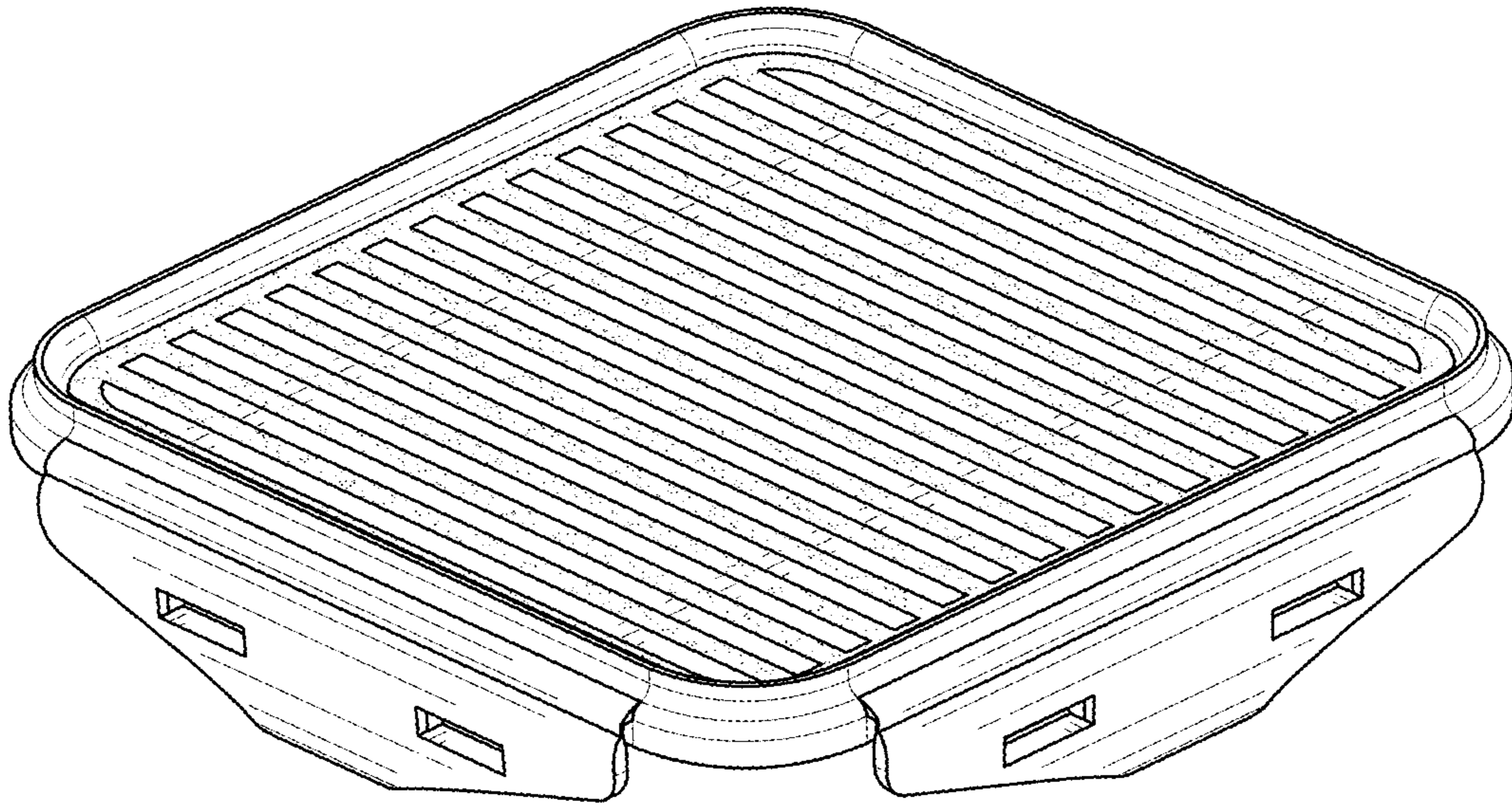


FIG.1

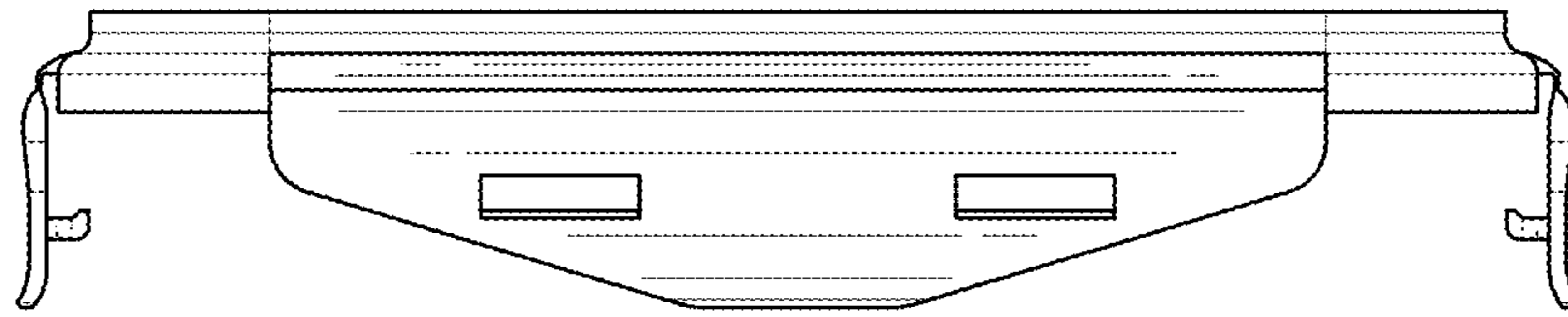


FIG.2

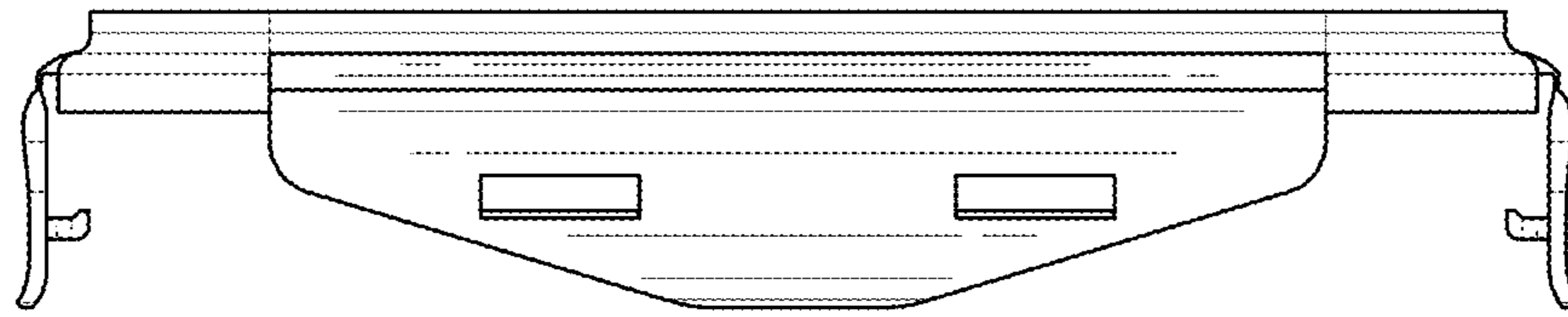


FIG.3

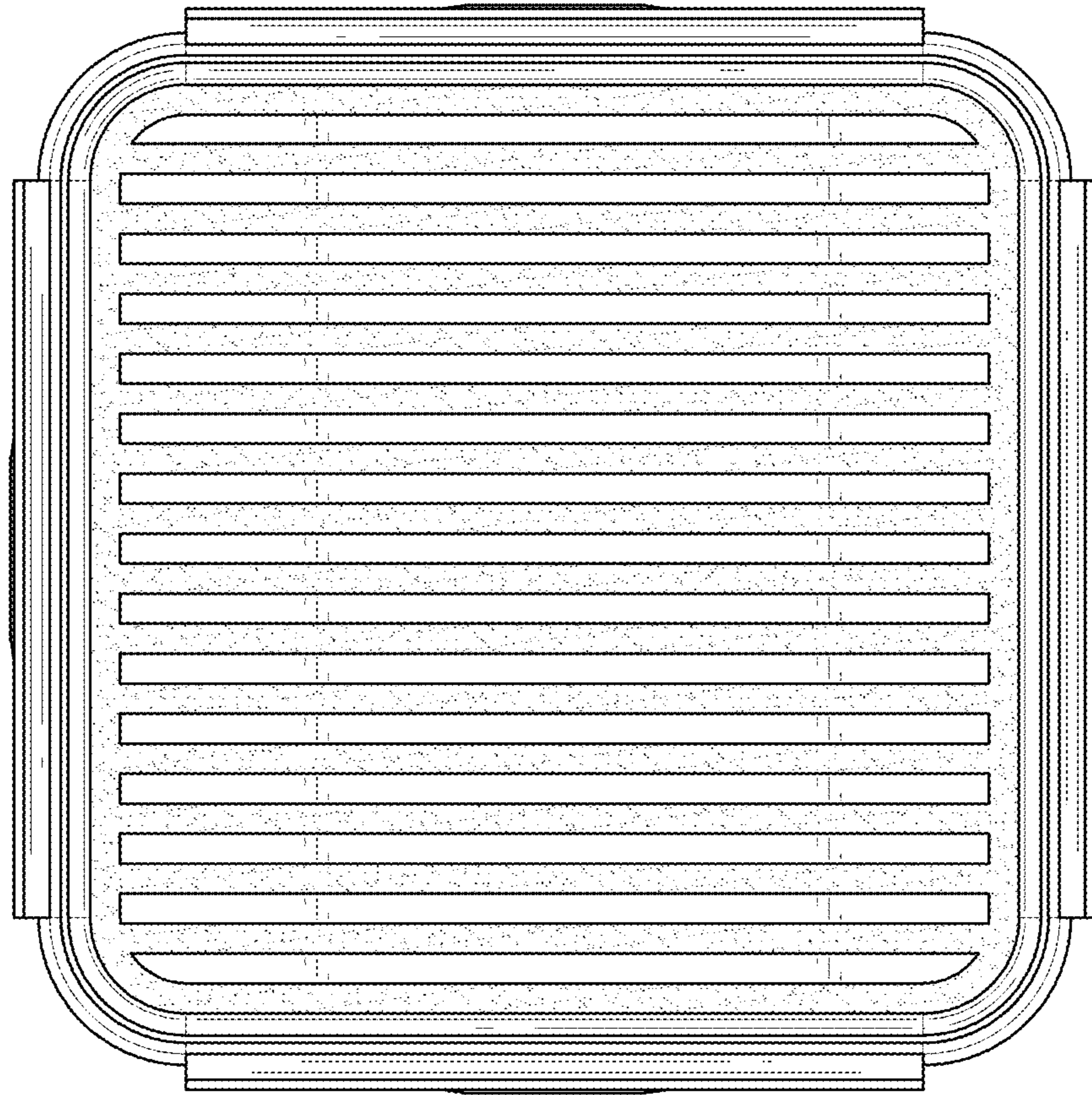


FIG.4

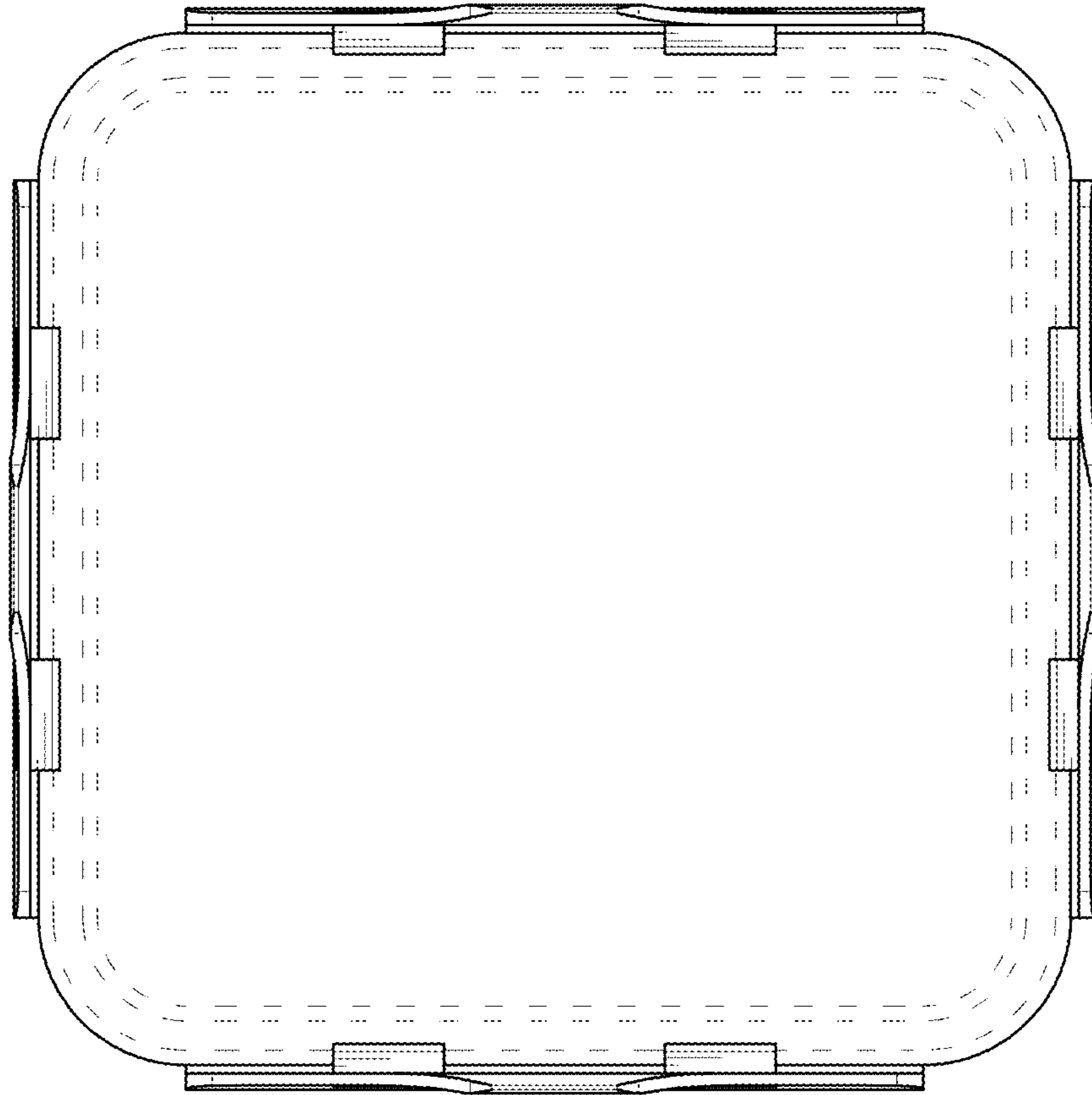


FIG.5

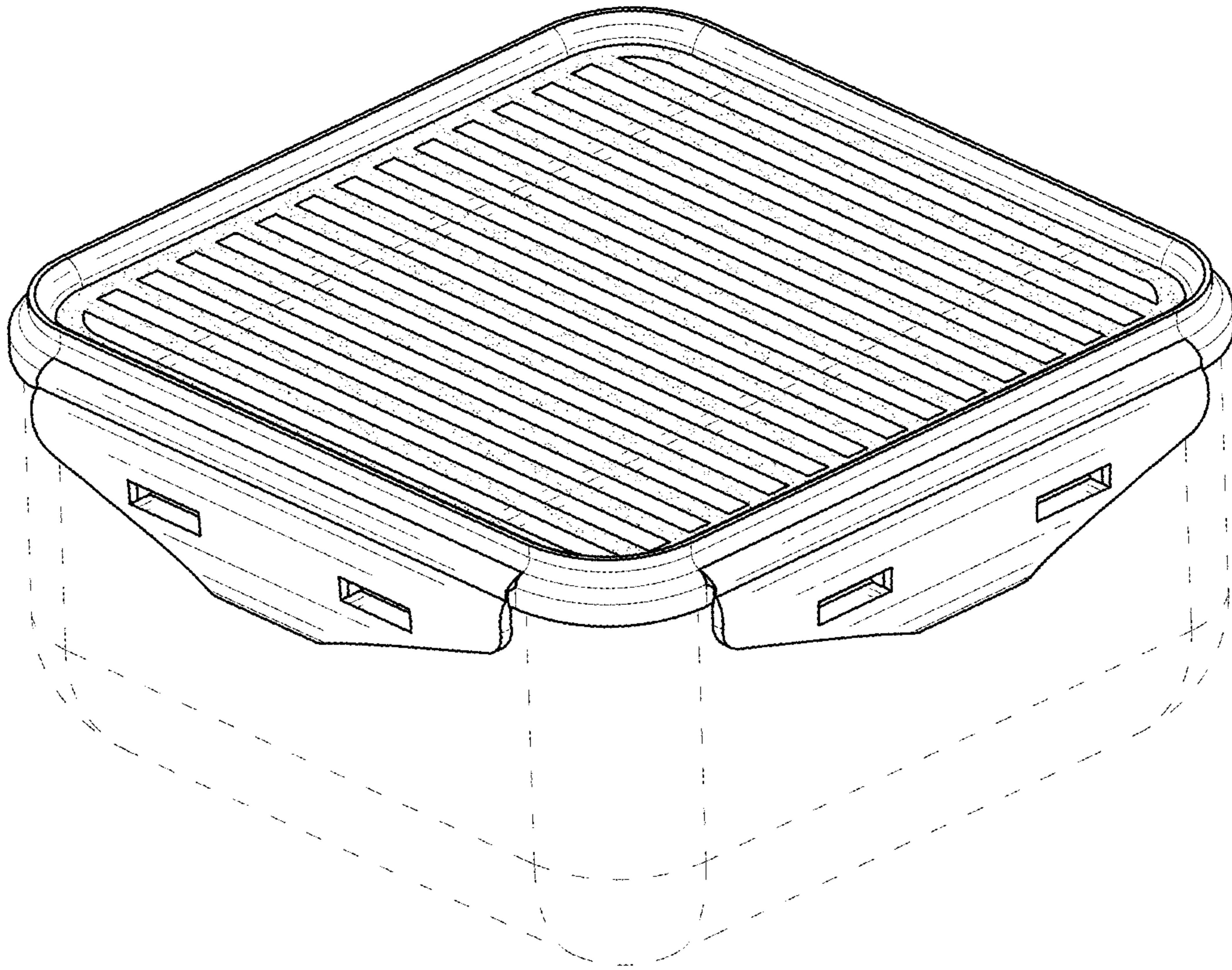


FIG.6