



US00D908419S

(12) **United States Design Patent**
Souza et al.

(10) **Patent No.:** **US D908,419 S**
(45) **Date of Patent:** **** Jan. 26, 2021**

(54) **LID FOR FOOD STORAGE CONTAINER**

(71) Applicant: **Rubbermaid Incorporated**,
Huntersville, NC (US)
(72) Inventors: **Marcel A. Souza**, Kalamazoo, MI (US);
Caleb Teerman, Grand Rapids, MI
(US)
(73) Assignee: **Rubbermaid Incorporated**,
Huntersville, NC (US)

(**) Term: **15 Years**

(21) Appl. No.: **29/706,175**

(22) Filed: **Sep. 18, 2019**

(51) **LOC (13) Cl.** **07-02**

(52) **U.S. Cl.**
USPC **D7/391**

(58) **Field of Classification Search**
USPC D7/391, 392, 392.1, 393, 397, 538–542,
D7/601–602, 629–630; D9/414,
D9/424–432, 434–435, 451–452
CPC A47J 36/027; A47J 36/06; A47J 37/10;
A47J 37/101; A47J 47/08; B65D
21/0209; B65D 43/00; B65D 43/02;
B65D 43/0206; B65D 43/022; B65D
43/161; B65D 43/162; B65D 45/00;
B65D 45/16; B65D 45/18; B65D 51/16;
B65D 51/1683; B65D 51/1688; B65D
51/1694; B65D 2251/00; B65F 1/1615
See application file for complete search history.

(56) **References Cited**

U.S. PATENT DOCUMENTS

D590,666 S *	4/2009	Wang	D7/629
D644,513 S *	9/2011	Marotti	D9/434
D682,047 S *	5/2013	Myoung	D7/629
D715,645 S *	10/2014	Bergbohm	D9/435
D796,266 S *	9/2017	Croft	D7/538
10,105,014 B2 *	10/2018	Bagley	A47J 47/08
D837,588 S *	1/2019	Croft	D7/391
D853,179 S *	7/2019	Duvigneau	D7/391

* cited by examiner

Primary Examiner — Ricky Pham

(57) **CLAIM**

The ornamental design for the lid for food storage container, as shown and described.

DESCRIPTION

FIG. 1 is a front perspective view of the lid for food storage container illustrating the lid when attached to the food storage container;
FIG. 2 is a front view thereof;
FIG. 3 is a rear view thereof;
FIG. 4 is left side view thereof;
FIG. 5 is a right side view thereof; and,
FIG. 6 is a top view thereof.
The broken lines depict portions of the lid for food storage container that form no part of the claimed design.

1 Claim, 3 Drawing Sheets

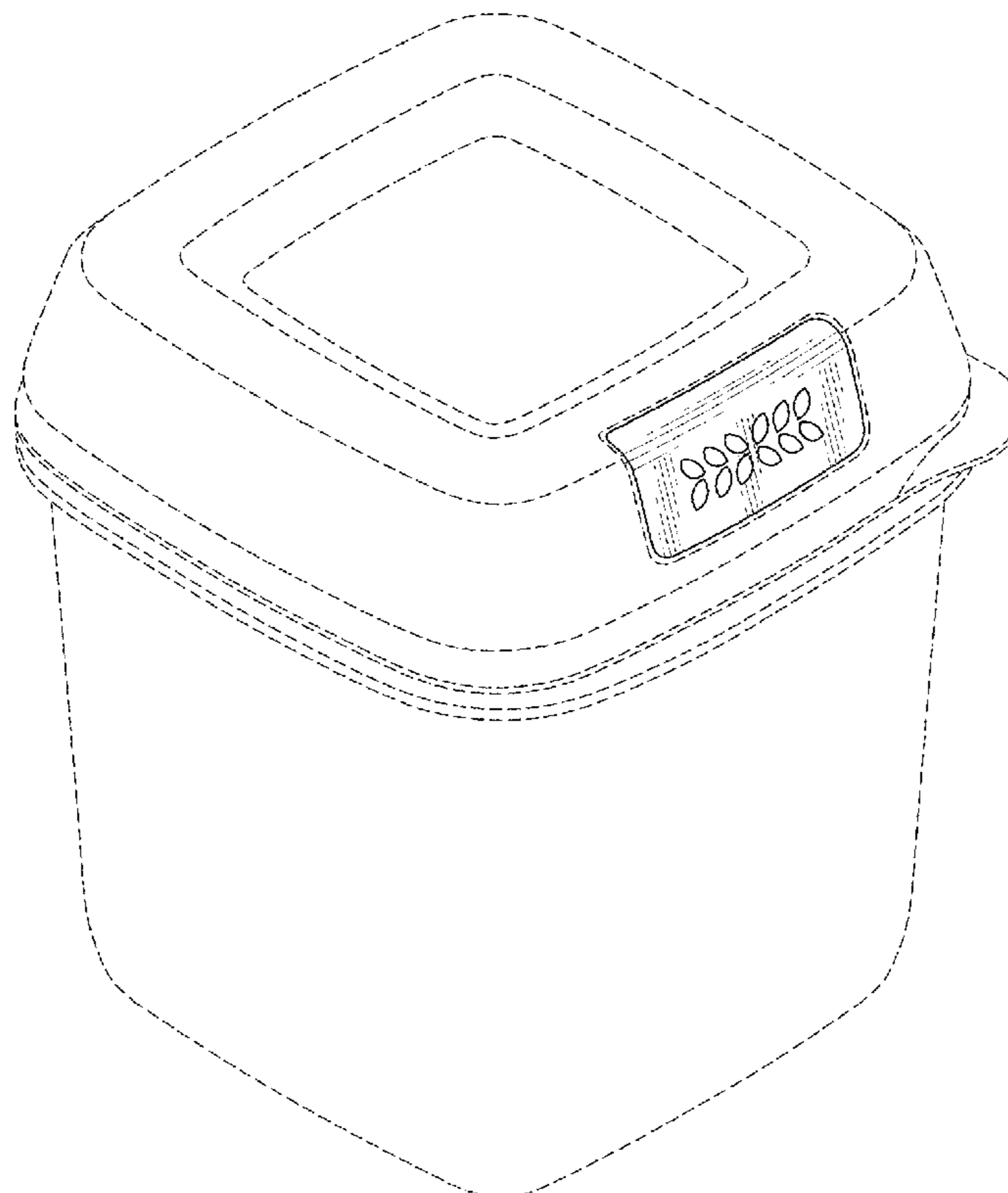


FIG. 1

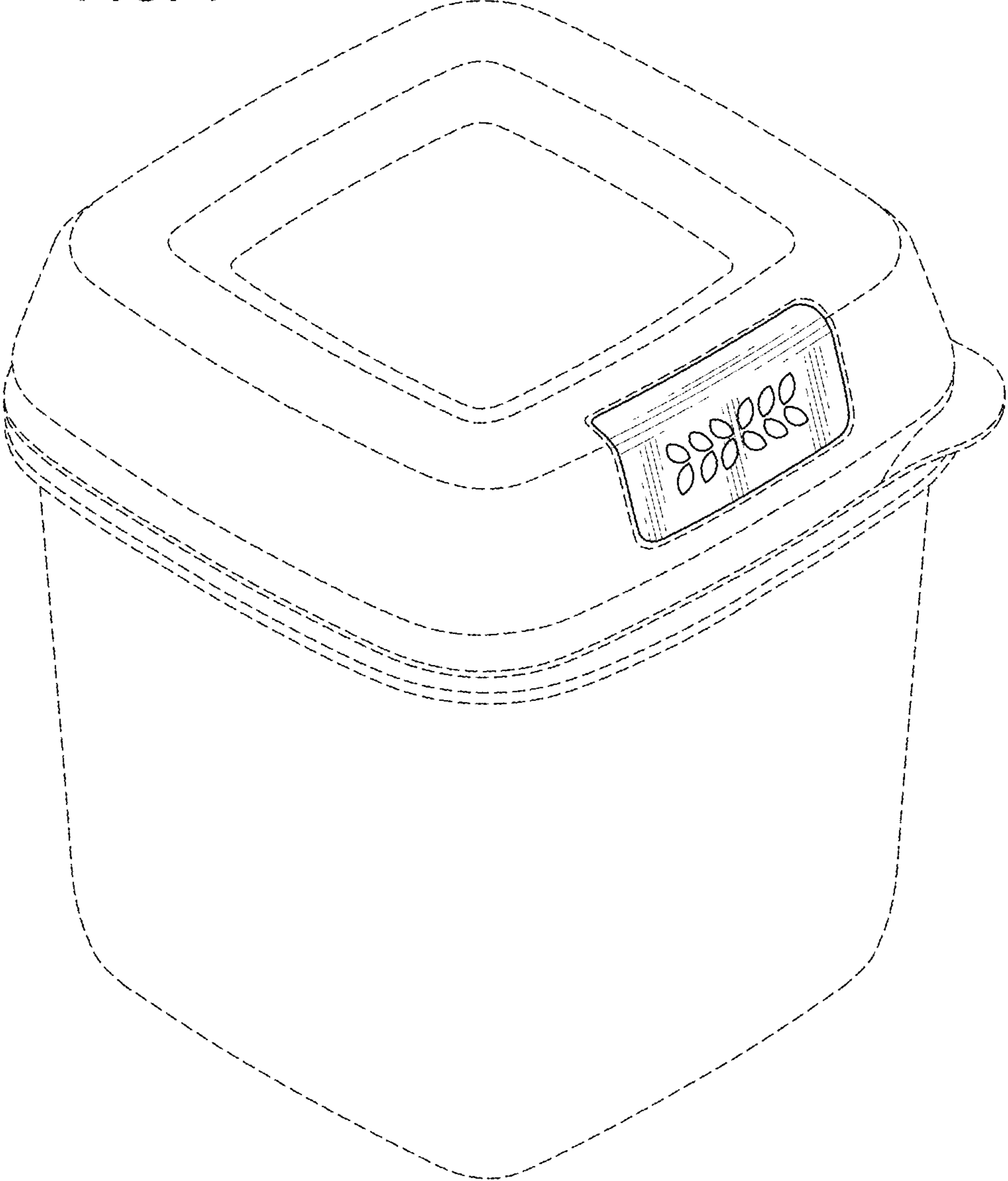


FIG. 2

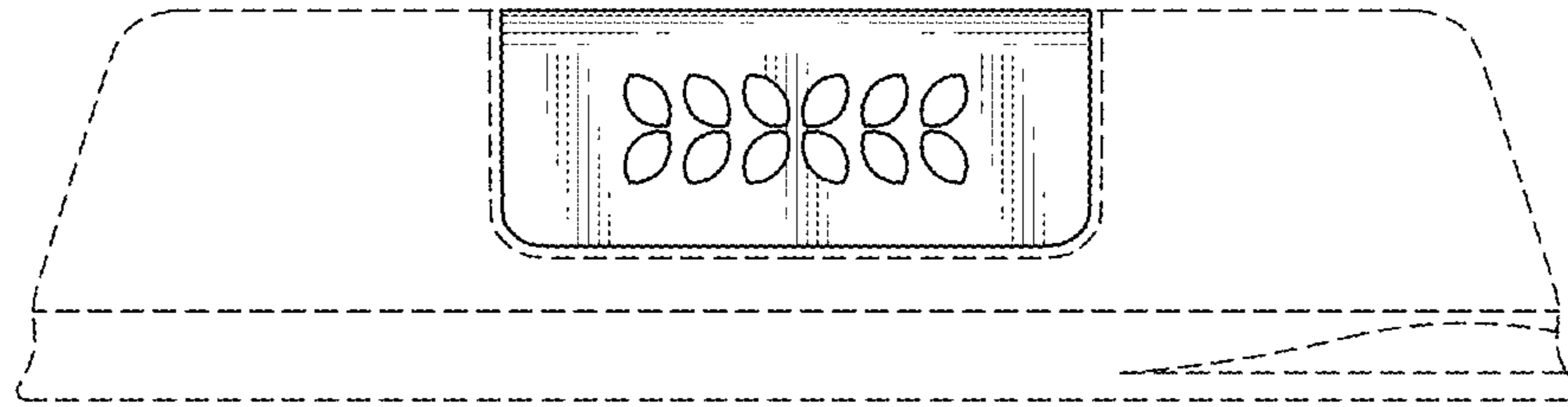


FIG. 3

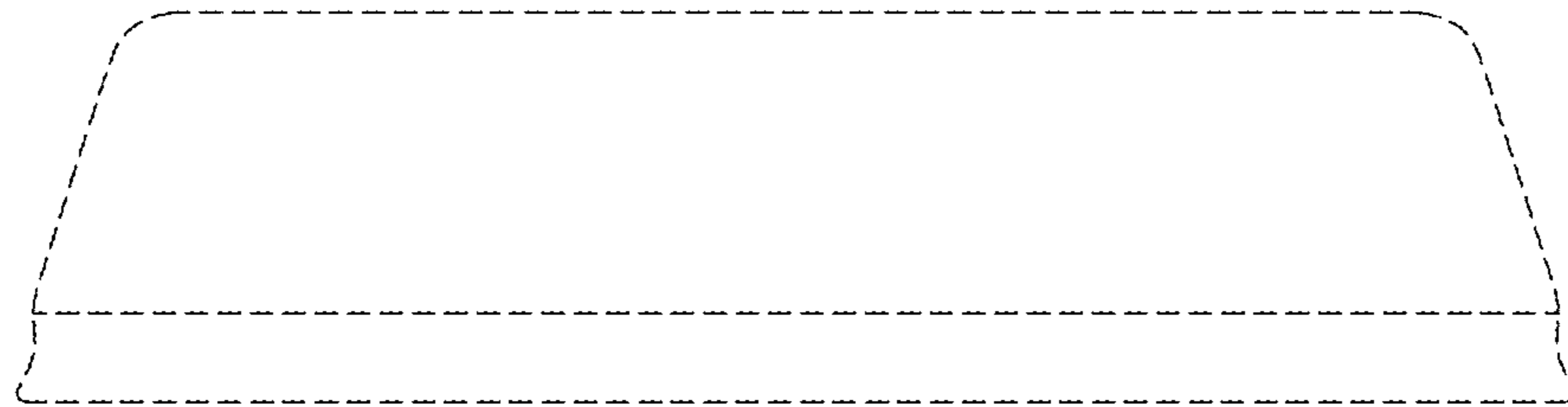


FIG. 4

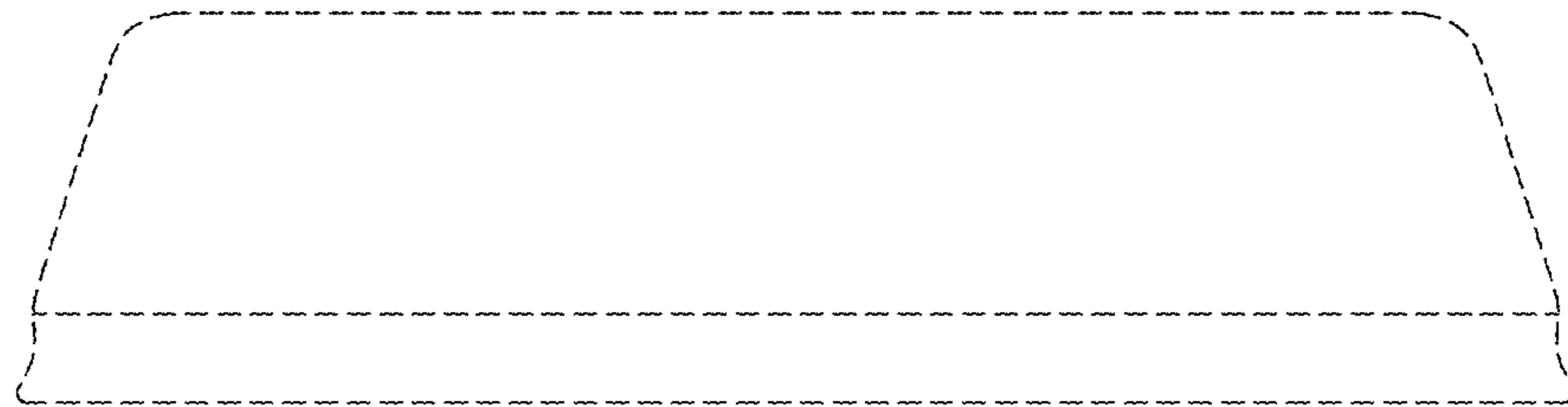


FIG. 5

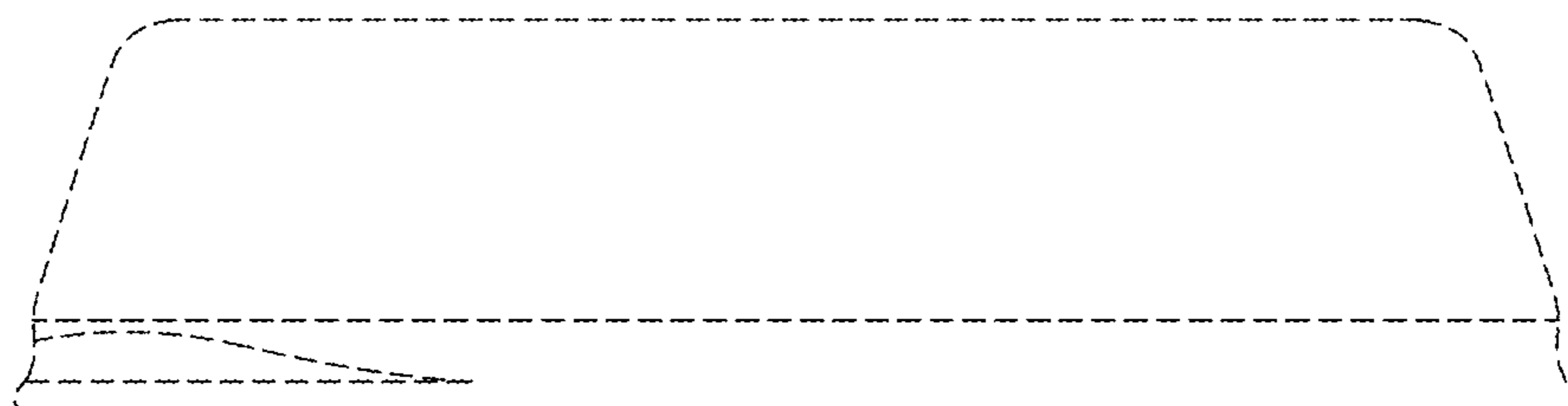


FIG. 6

