



US00D908418S

(12) **United States Design Patent** (10) **Patent No.:** **US D908,418 S**  
**DeLeo** (45) **Date of Patent:** **\*\* Jan. 26, 2021**

(54) **VACUUM BLENDER**

(71) Applicant: **Sunbeam Products, Inc.**, Boca Raton, FL (US)

(72) Inventor: **Anthony M. DeLeo**, Portage, MI (US)

(73) Assignee: **Sunbeam Products, Inc.**, Boca Raton, FL (US)

(\*\*) Term: **15 Years**

(21) Appl. No.: **29/694,070**

(22) Filed: **Jun. 7, 2019**

(51) **LOC (13) Cl.** ..... **31-00**

(52) **U.S. Cl.**  
USPC ..... **D7/378; D7/376; D7/386; D7/412; D7/413**

(58) **Field of Classification Search**

USPC ..... D7/313, 372, 376–386, 412–413, 602, D7/629, 665–666, 669, 679, 693–694  
CPC .... A21C 1/02; A21C 1/04; A23N 1/00; A23N 1/02; A47J 43/04; A47J 43/25; A47J 43/27; A47J 43/042; A47J 43/044; A47J 43/046; A47J 43/075; A47J 43/0711; A47J 43/0722; A47J 43/0727; A47J 43/082; B01F 3/00; B01F 3/0807; B01F 3/0853; B01F 13/0059; B01F 13/0064; B02C 1/08; B02C 2/04; B02C 4/42; B02C 4/142; B02C 4/143; B02C 4/423; B02C 13/1835; B28C 5/10; B28C 5/12; B28C 5/14; B28C 5/16

See application file for complete search history.

(56) **References Cited**

**U.S. PATENT DOCUMENTS**

D444,344 S \* 7/2001 Barthelemy ..... D7/378  
D711,682 S \* 8/2014 Norland ..... D7/384  
D755,004 S \* 5/2016 Bock ..... D7/386  
D761,617 S \* 7/2016 Dennisur ..... D7/386  
D769,061 S \* 10/2016 Diderotto ..... D7/378

(Continued)

*Primary Examiner* — Ricky Pham

(74) *Attorney, Agent, or Firm* — Husch Blackwell LLP

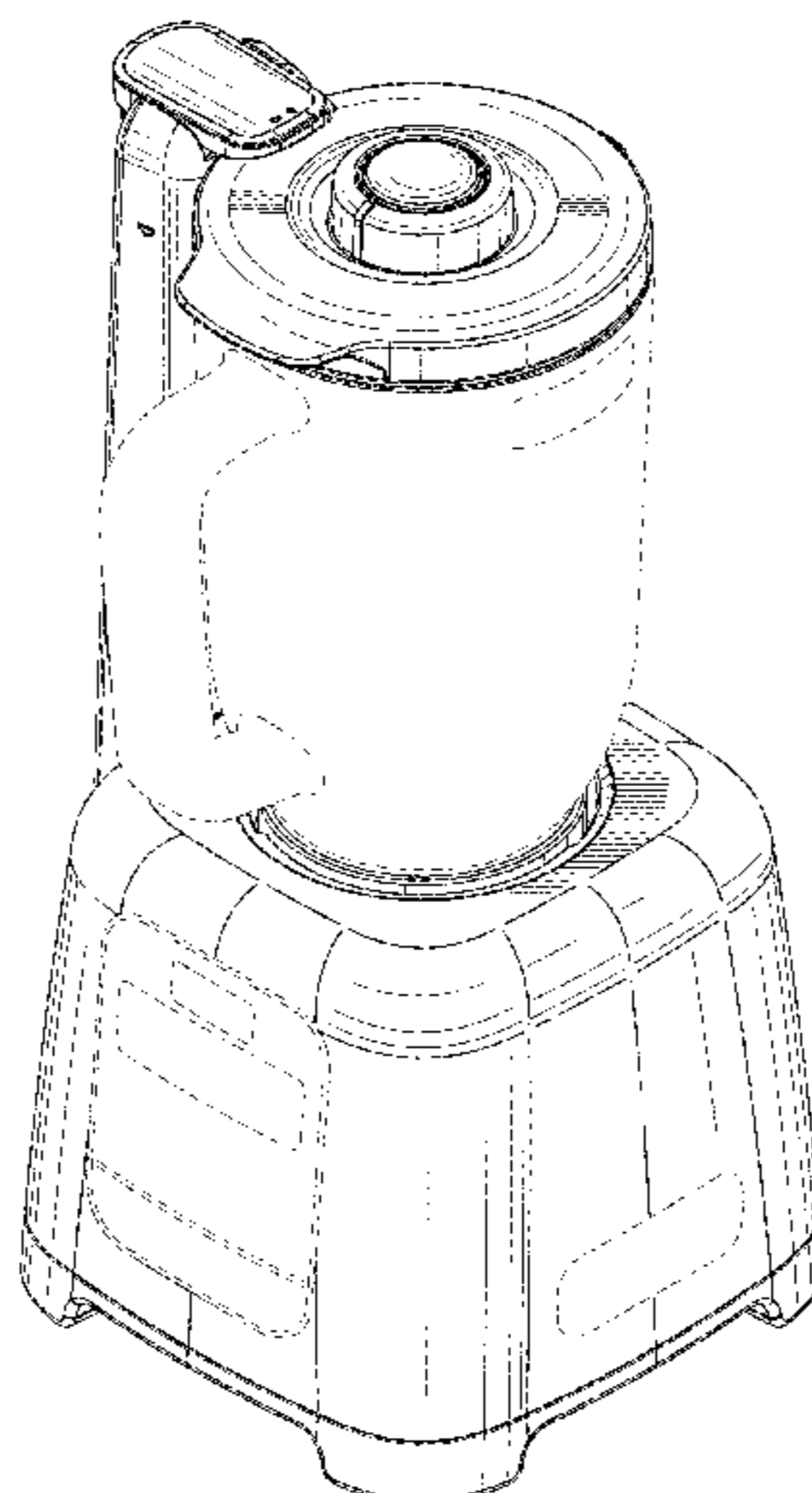
(57) **CLAIM**

I claim the ornamental design for a vacuum blender, as shown and described.

**DESCRIPTION**

FIG. 1 is a perspective view of a vacuum blender with its vertical arm in a first position showing our new design; FIG. 2 is a right elevation view of the vacuum blender of FIG. 1; FIG. 3 is a front elevation view of the vacuum blender of FIG. 1; FIG. 4 is a left elevation view of the vacuum blender of FIG. 1; FIG. 5 is a rear elevation view of the vacuum blender of FIG. 1; FIG. 6 is a top plan view of the vacuum blender of FIG. 1; FIG. 7 is a bottom plan view of the vacuum blender of FIG. 1; FIG. 8 is a perspective view of the vacuum blender with its vertical arm in a second position; FIG. 9 is a right elevation view of the vacuum blender of FIG. 8; FIG. 10 is a front elevation view of the vacuum blender of FIG. 8; FIG. 11 is a left elevation view of the vacuum blender of FIG. 8; FIG. 12 is a rear elevation view of the vacuum blender of FIG. 8; FIG. 13 is a top plan view of the vacuum blender of FIG. 8; and, FIG. 14 is a bottom plan view of the vacuum blender of FIG. 8.  
Broken lines and the area within the broken lines are for illustrative purposes only and form no part of the claimed design.

**1 Claim, 12 Drawing Sheets**



(56)

**References Cited**

U.S. PATENT DOCUMENTS

D786,613 S *	5/2017	McConnell	.....	D7/378
D798,653 S *	10/2017	Fan	.....	D7/386
D844,374 S *	4/2019	McConnell	.....	D7/386
D850,221 S *	6/2019	Gross	.....	D7/665
D852,574 S *	7/2019	McConnell	.....	D7/378
D874,869 S *	2/2020	McConnell	.....	D7/386
D878,847 S *	3/2020	Gross	.....	D7/313
2018/0014695 A1 *	1/2018	Gross	.....	A47J 43/0722

\* cited by examiner

FIG. 1

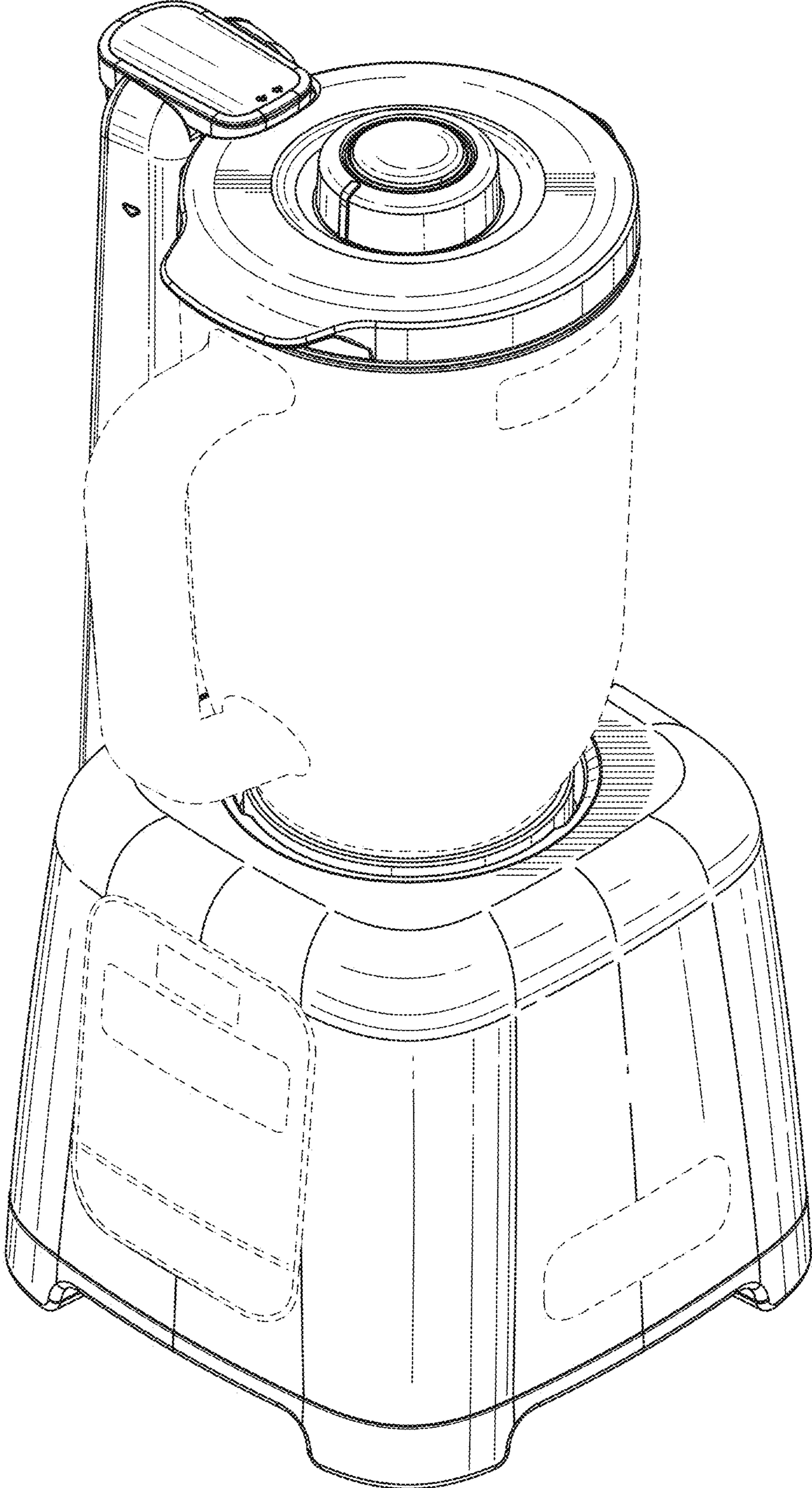


FIG. 2

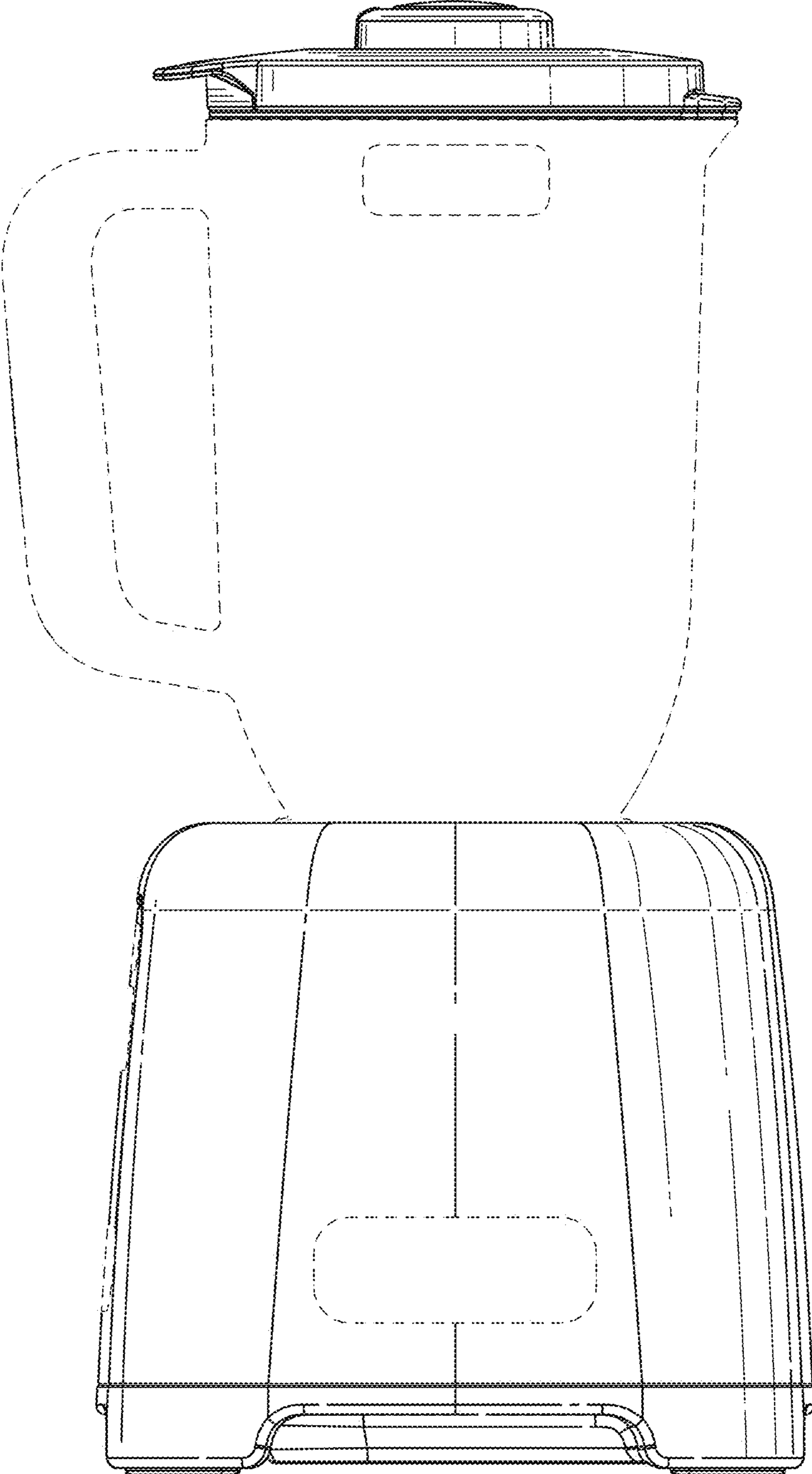


FIG. 3

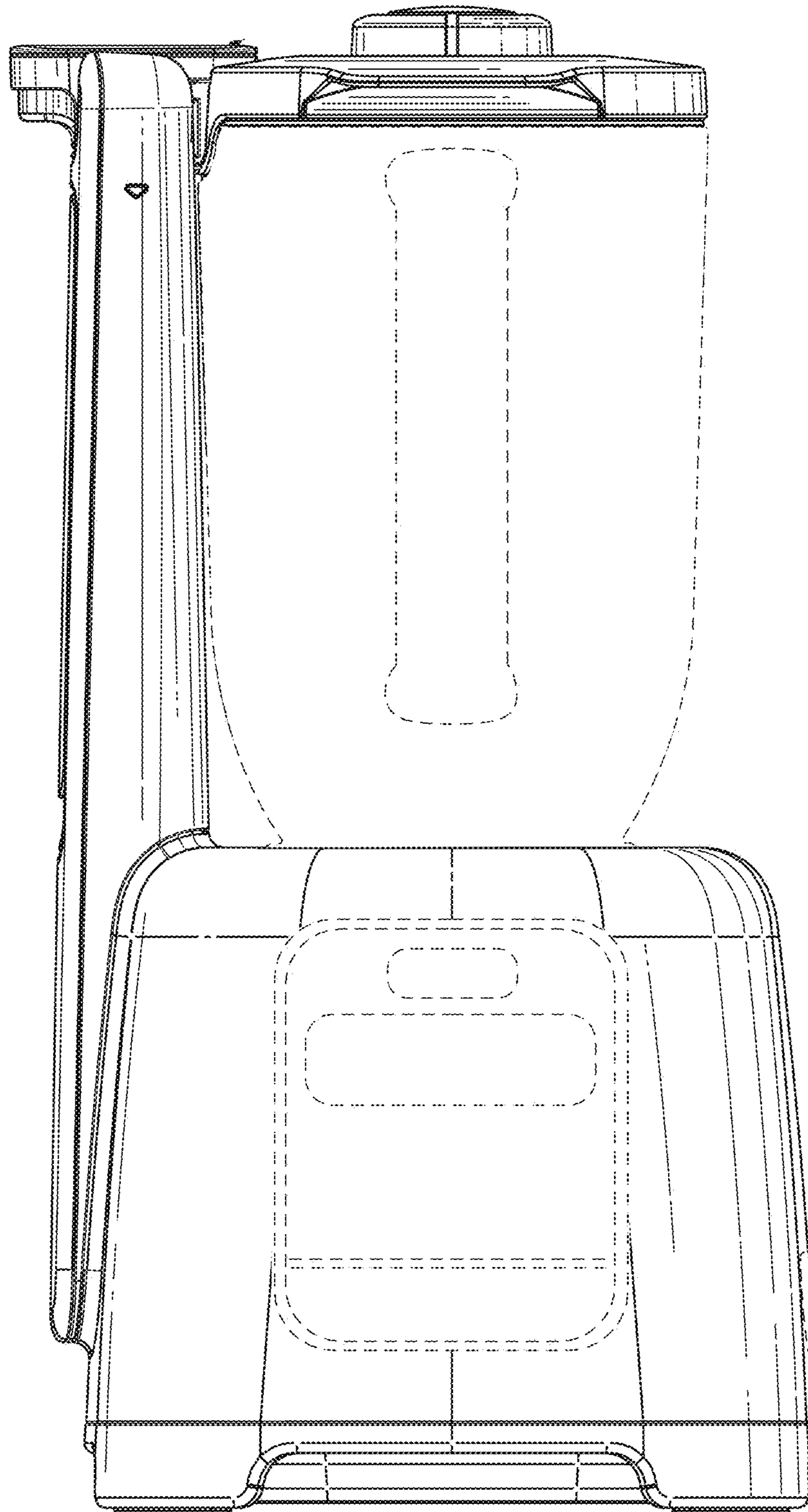


FIG. 4

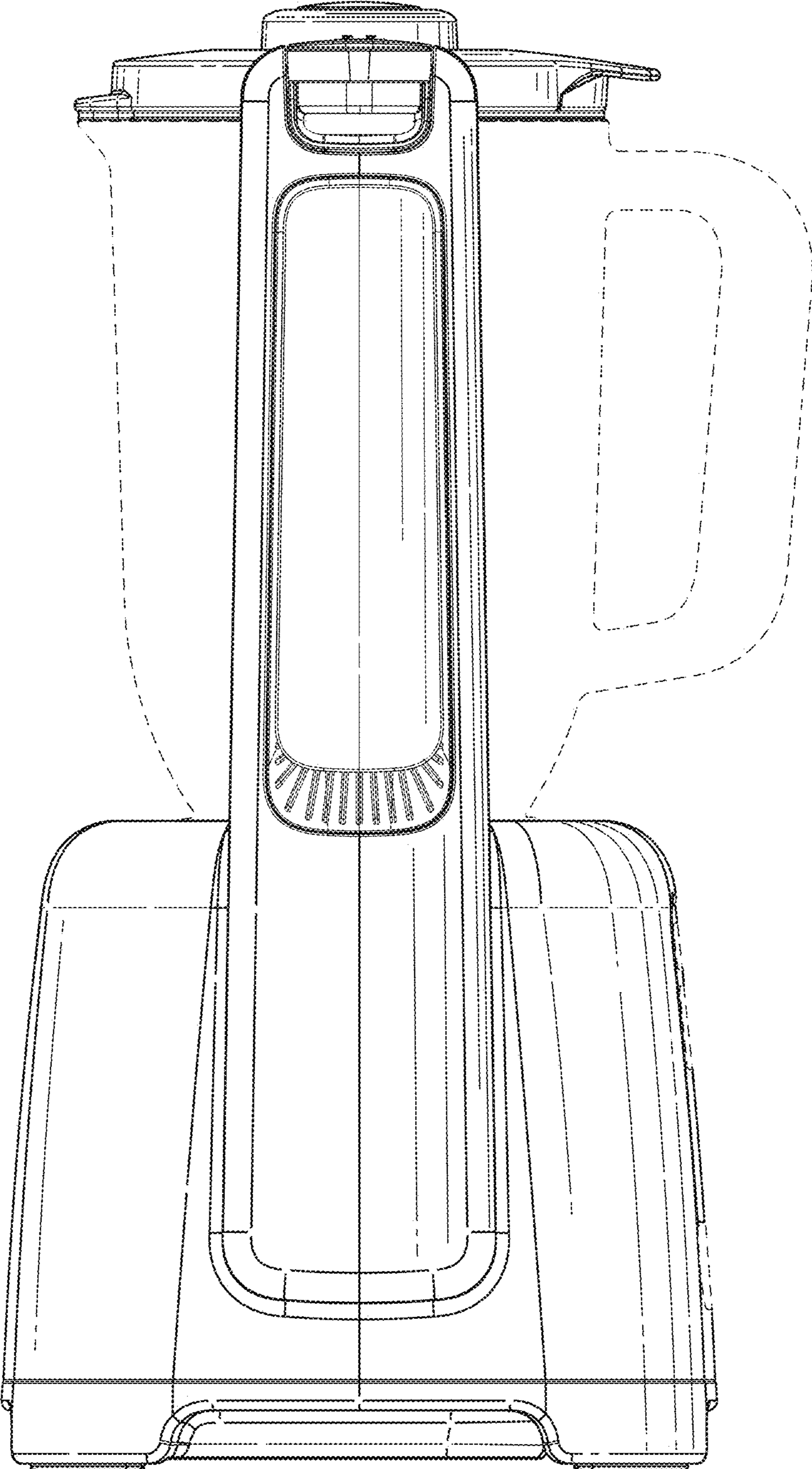
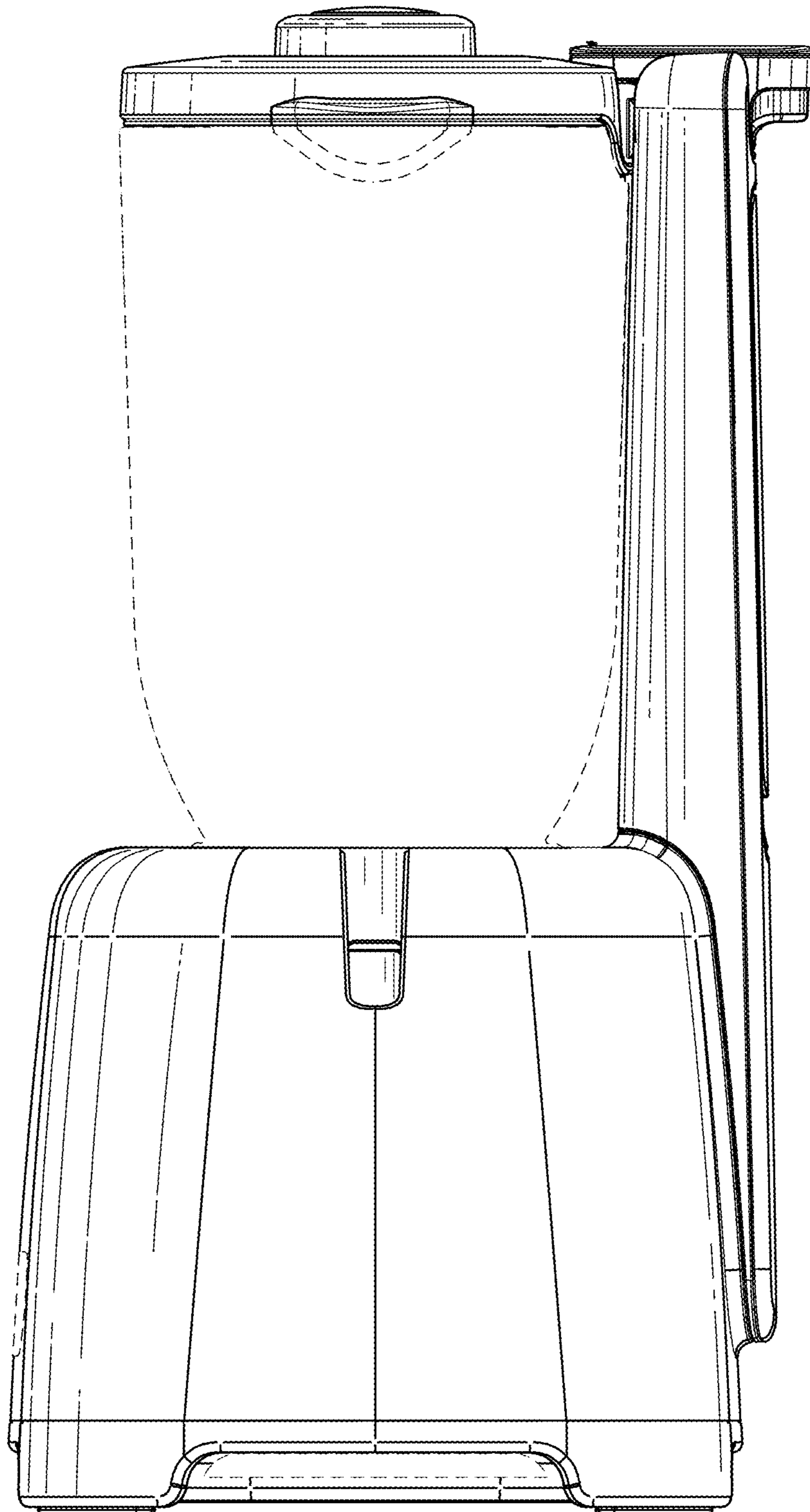
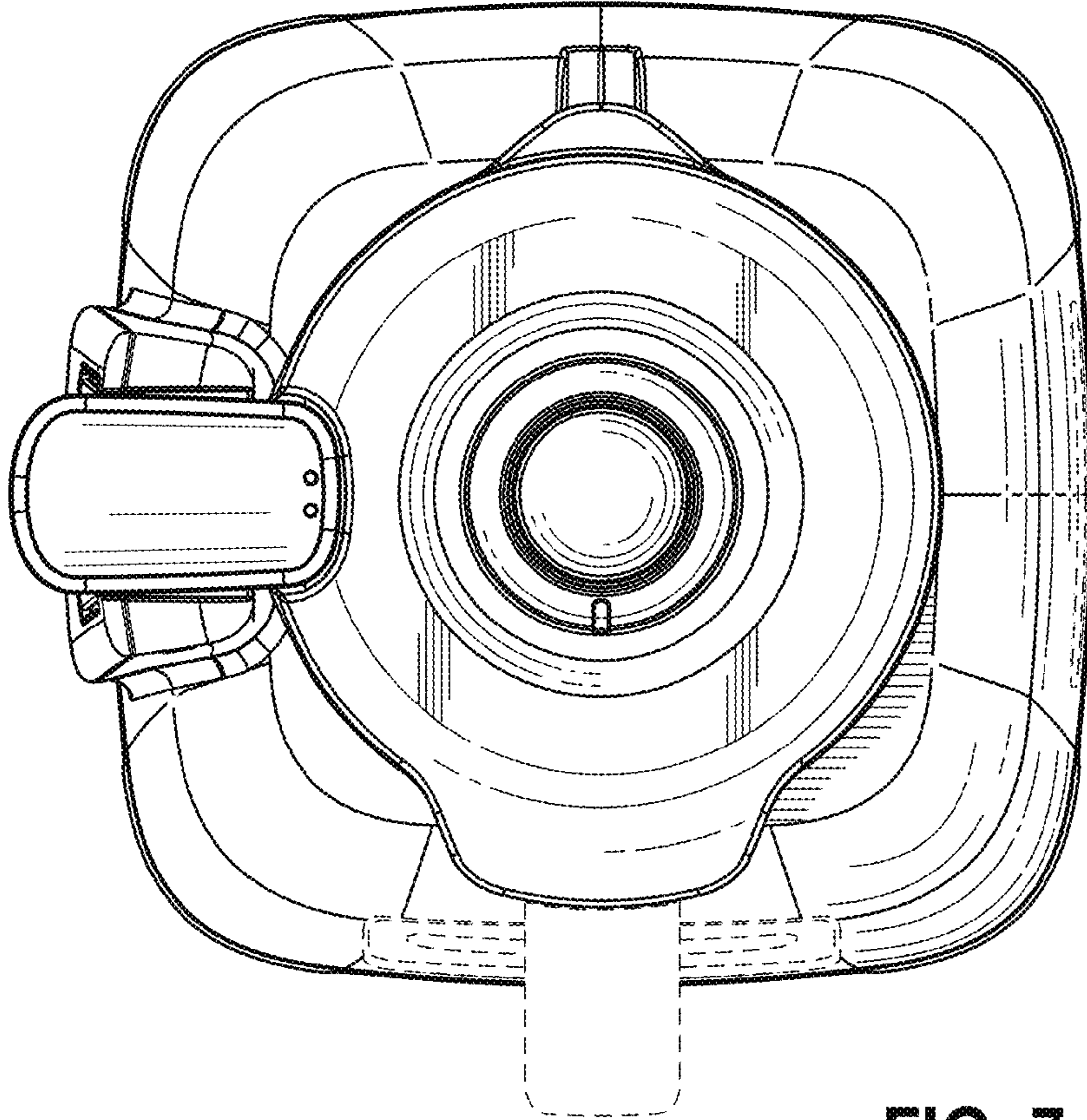


FIG. 5



**FIG. 6**



**FIG. 7**

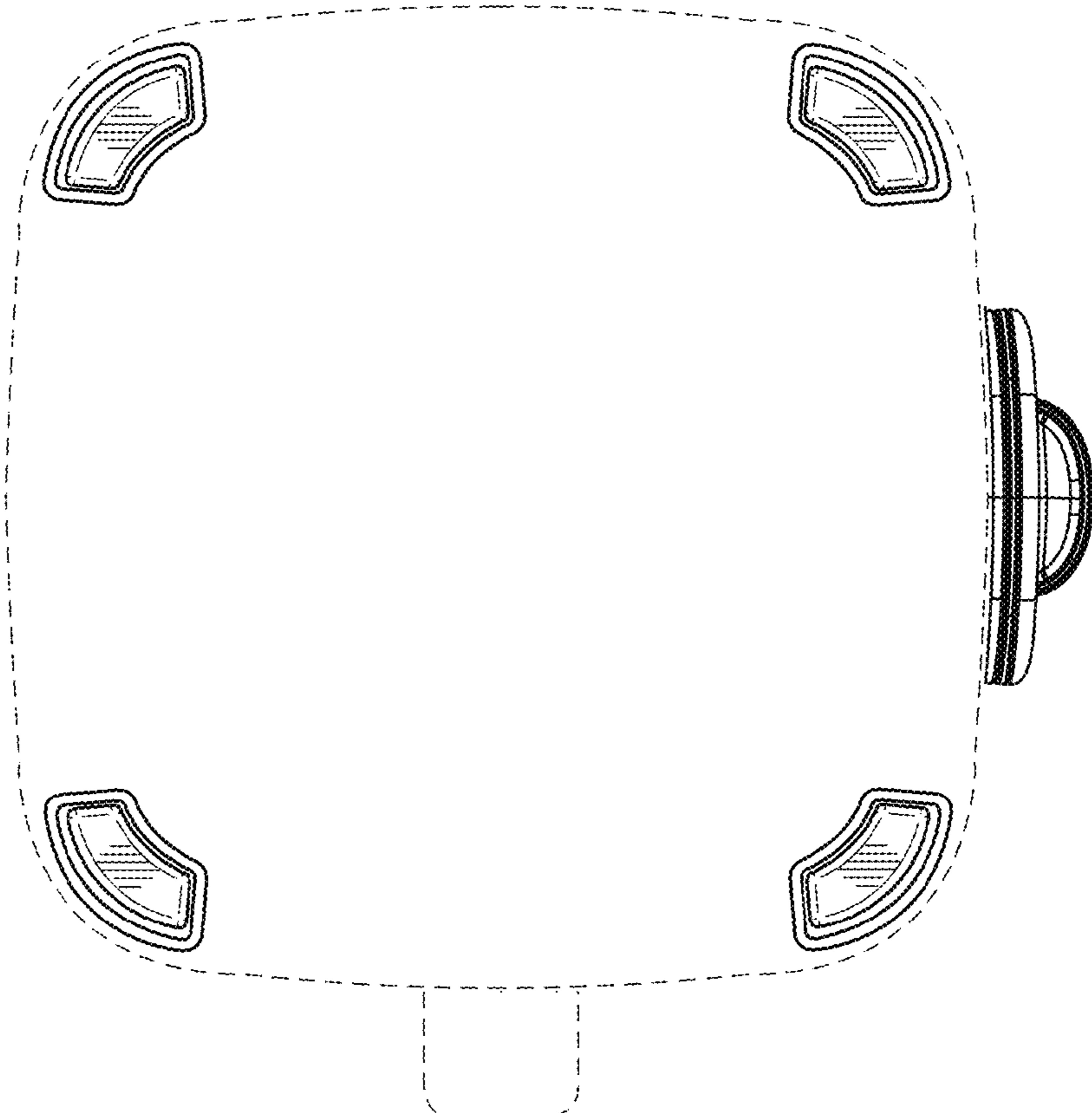




FIG. 8

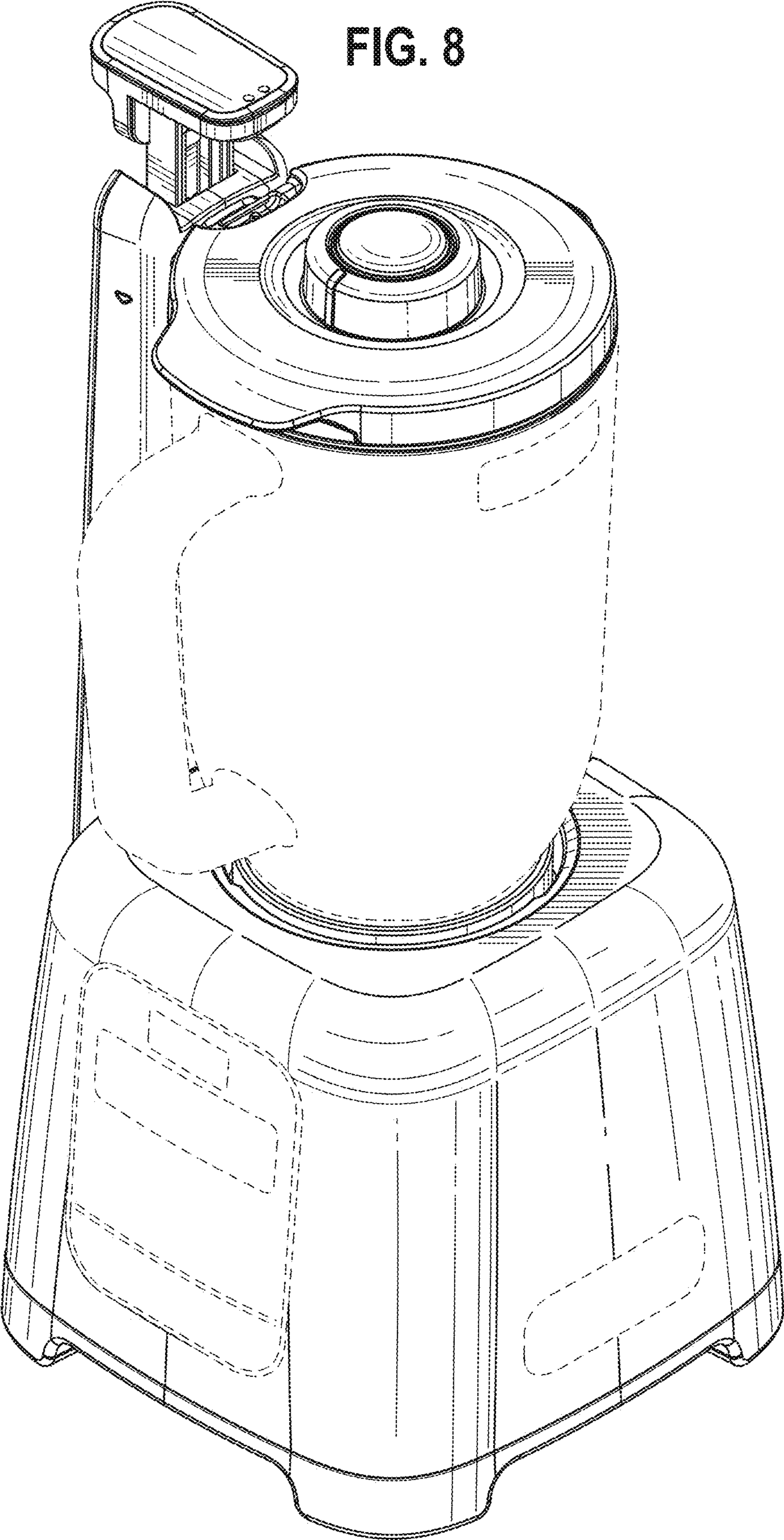


FIG. 9

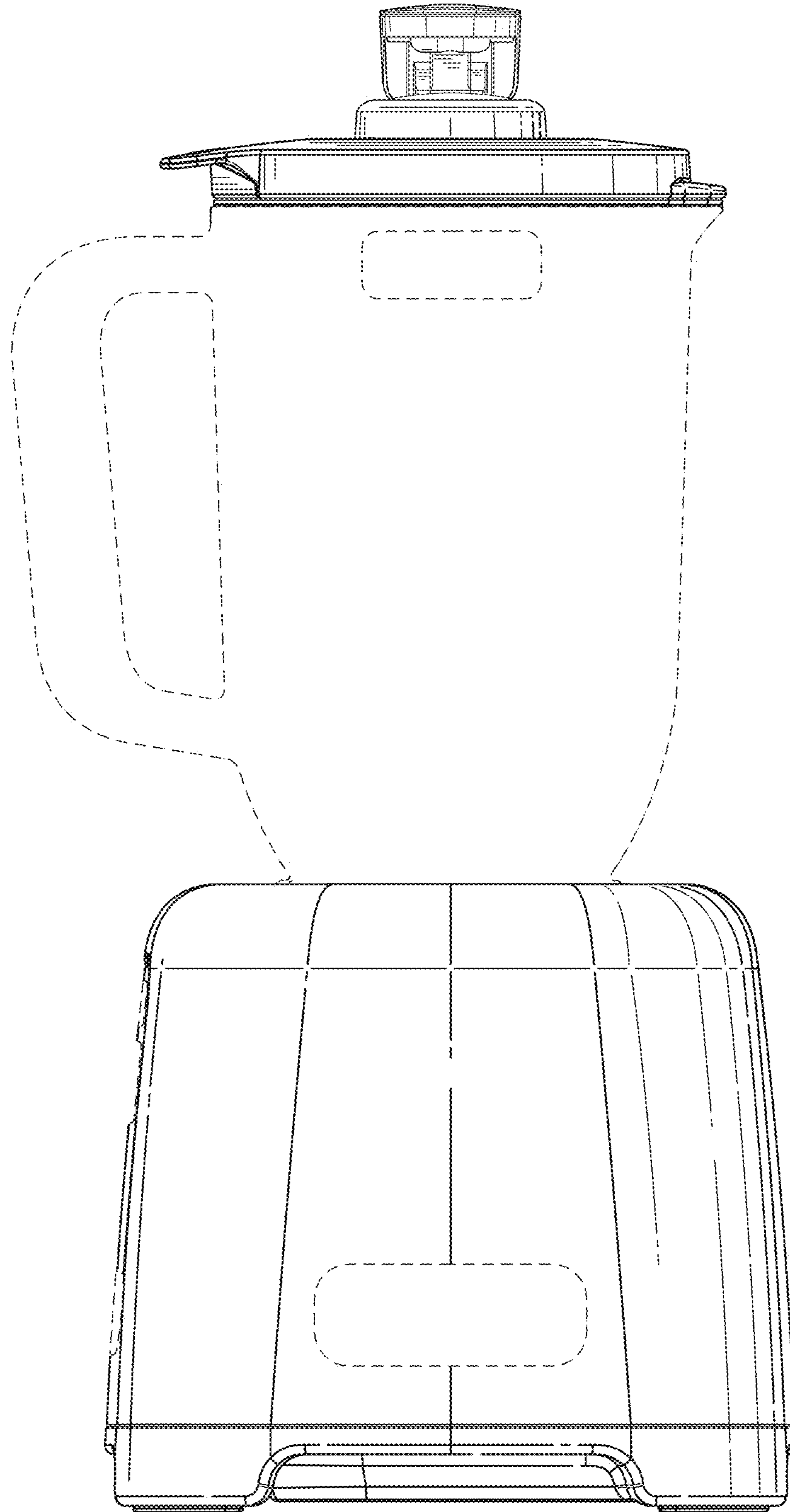


FIG. 10

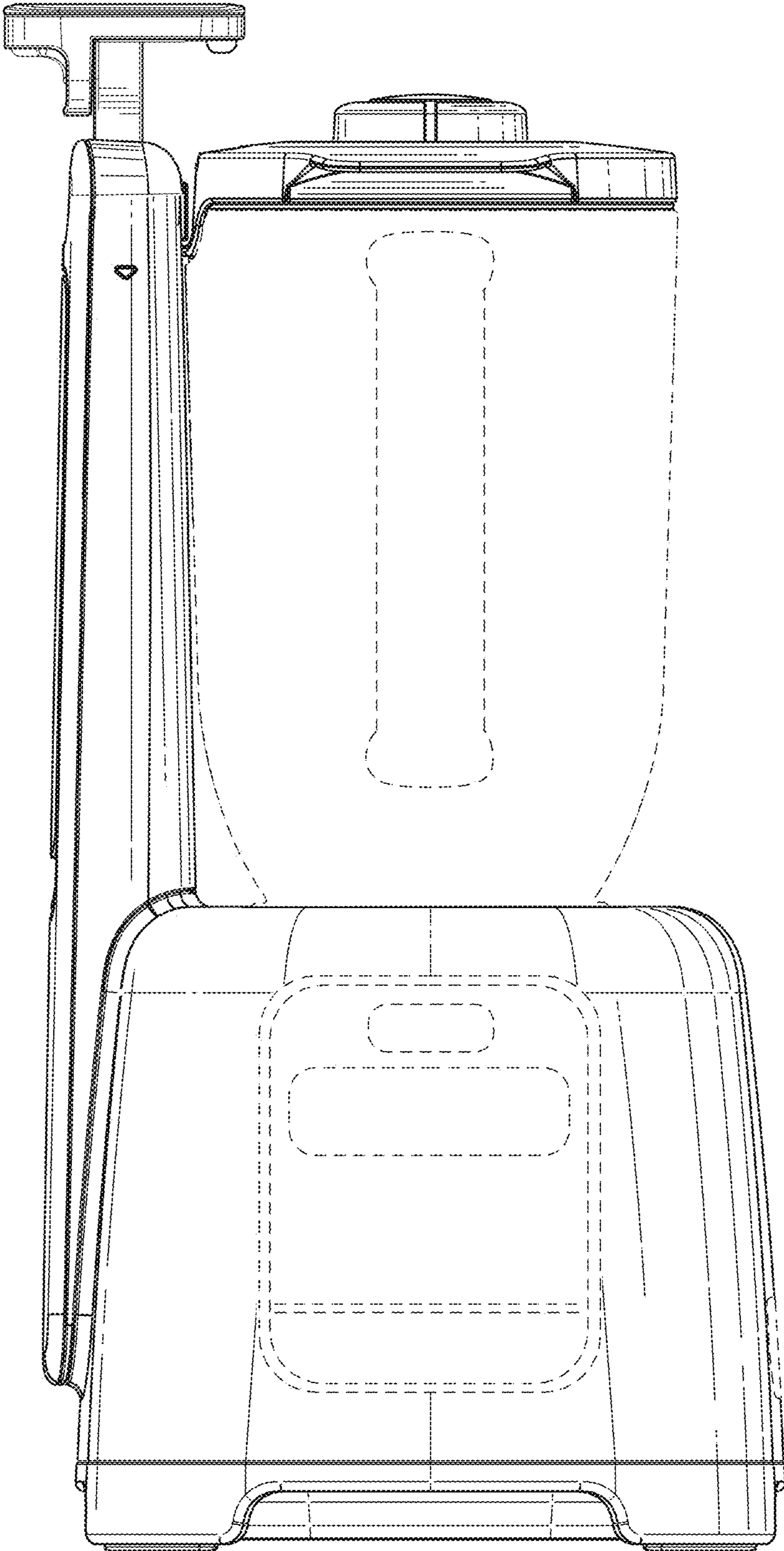


FIG. 11

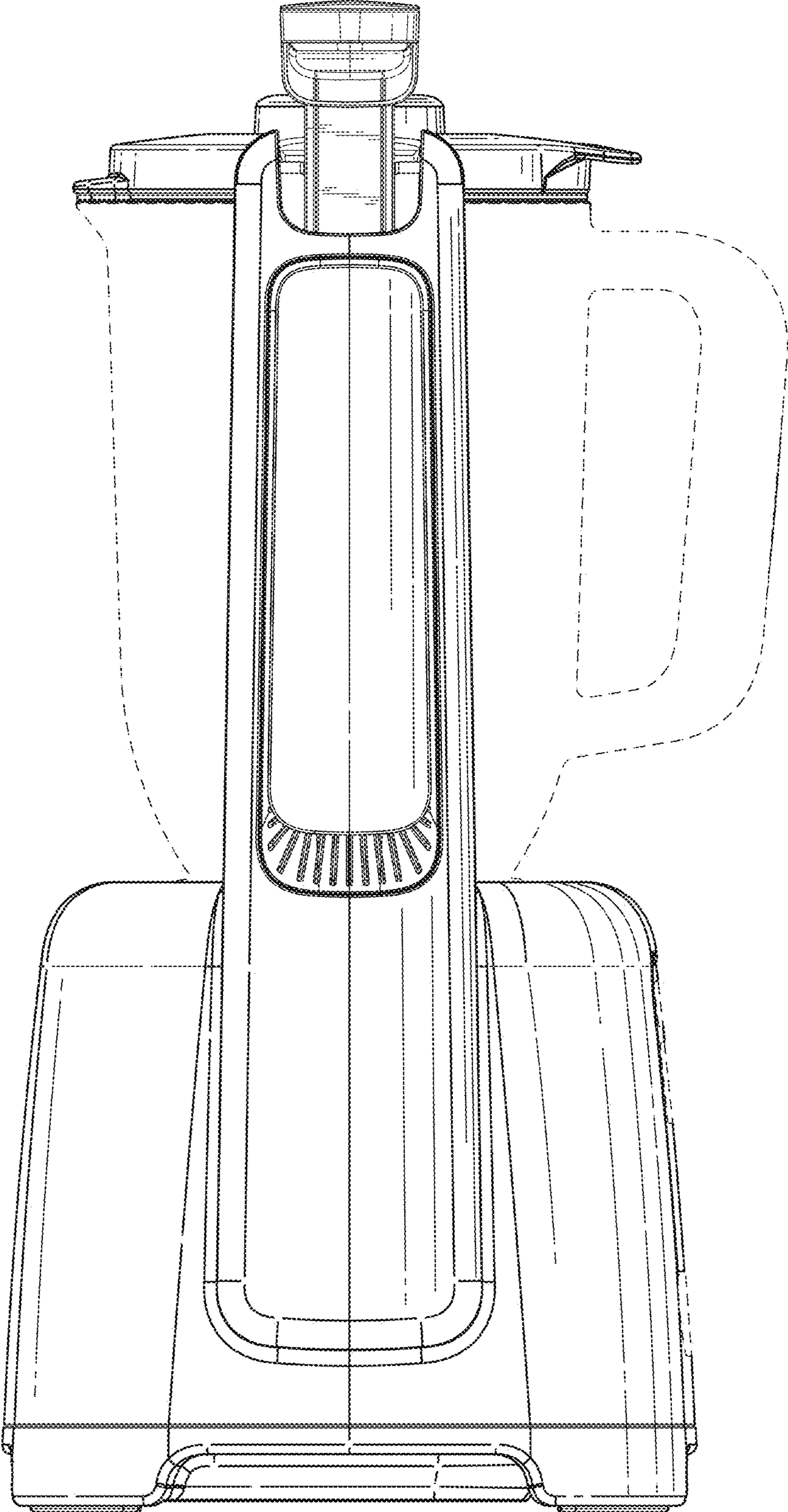


FIG. 12

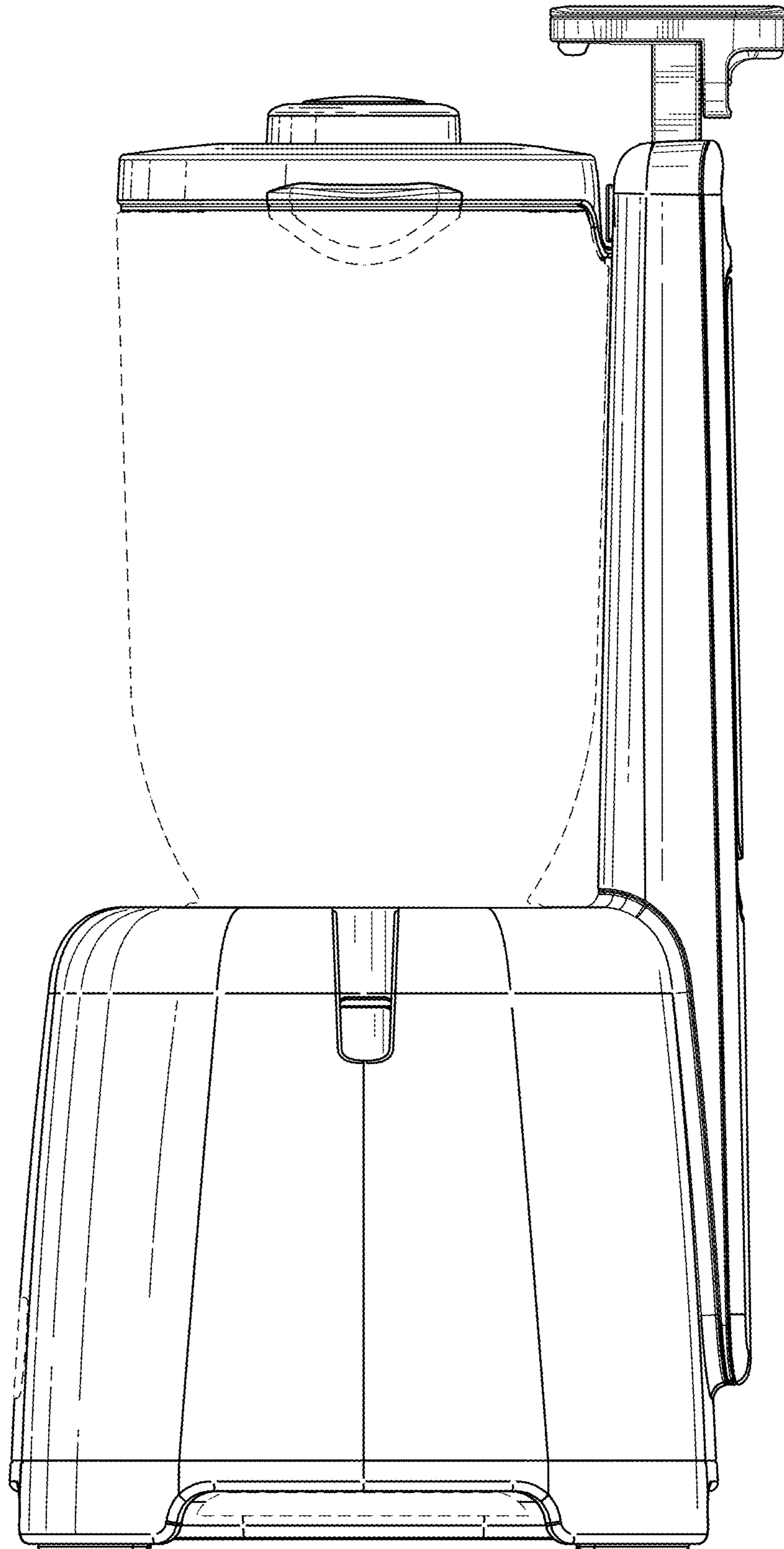


FIG. 13

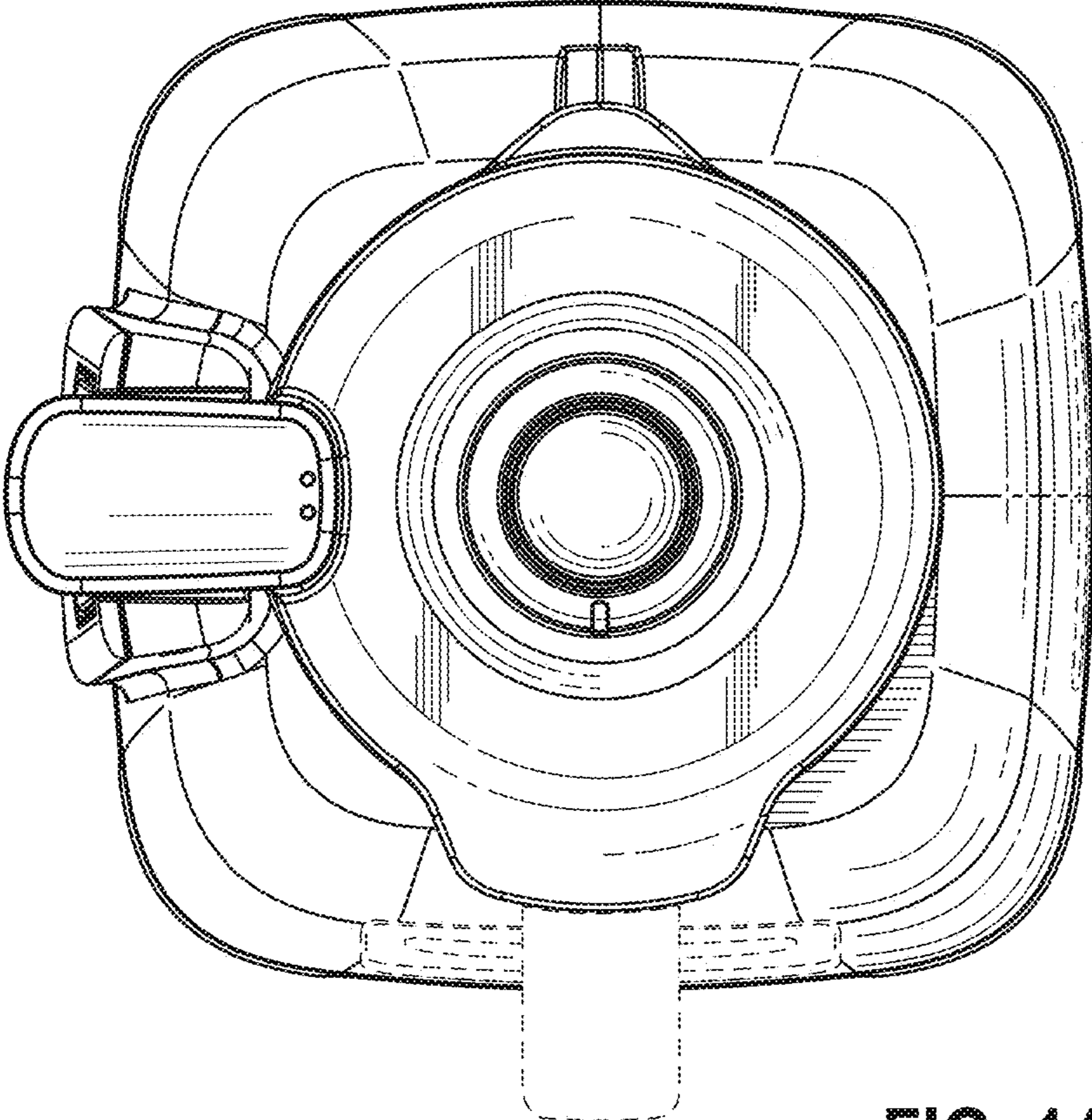


FIG. 14

