



US00D908415S

(12) **United States Design Patent**
Zheng

(10) **Patent No.:** **US D908,415 S**

(45) **Date of Patent:** **** Jan. 26, 2021**

- (54) **COOKING APPLIANCE**
- (71) Applicant: **Ningbo Huige Outdoor Products Co., Ltd., Zhejiang (CN)**
- (72) Inventor: **Songcun Zheng, Zhejiang (CN)**
- (73) Assignee: **Ningbo Huige Outdoor Products Co., Ltd., Zhejiang (CN)**
- (**) Term: **15 Years**
- (21) Appl. No.: **29/688,528**
- (22) Filed: **Apr. 23, 2019**
- (51) **LOC (13) Cl.** **07-02**
- (52) **U.S. Cl.**
USPC **D7/334**
- (58) **Field of Classification Search**
USPC D7/332-338, 402-409, 355, 356, 360, D7/362, 364, 365, 366, 363, 352; D23/343, 348, 332, 335, 314, 345, 415; D3/294-296, 276, 905; 126/40
CPC A47J 37/07-0763; A47J 37/0781; A47J 37/0786; A47J 2037/0777; A47J 33/00; A47J 2201/00; A47J 36/26; F24C 3/14; F24C 1/16; F24C 5/20; F24B 1/181; F24B 1/19; F24B 1/195; F24B 1/00; F24B 1/202-207; F24B 3/00; F23B 20/00; F23D 14/28
See application file for complete search history.

- D473,095 S * 4/2003 Nguyen D7/334
- D496,820 S * 10/2004 Wilder D7/334
- D674,234 S * 1/2013 Todd D7/334
- D702,987 S * 4/2014 Gillespie D7/334
- D708,001 S * 7/2014 Measom D7/332
- D710,148 S * 8/2014 Mainville D7/402
- D732,334 S * 6/2015 Bradford, Jr. D7/334
- D803,613 S * 11/2017 Dominique D7/334
- 10,264,922 B2 * 4/2019 Rex F24C 3/14
- 2006/0144384 A1 * 7/2006 Santagata A47J 37/0704
- 126/25 A
- 2015/0000648 A1 * 1/2015 Jung F24C 5/20
- 126/46
- 2020/0008615 A1 * 1/2020 Dahle A47J 37/0704

* cited by examiner

Primary Examiner — Brett Miller

(74) *Attorney, Agent, or Firm* — JCIPRNET

(57) **CLAIM**

The ornamental design for a cooking appliance, as shown and described.

DESCRIPTION

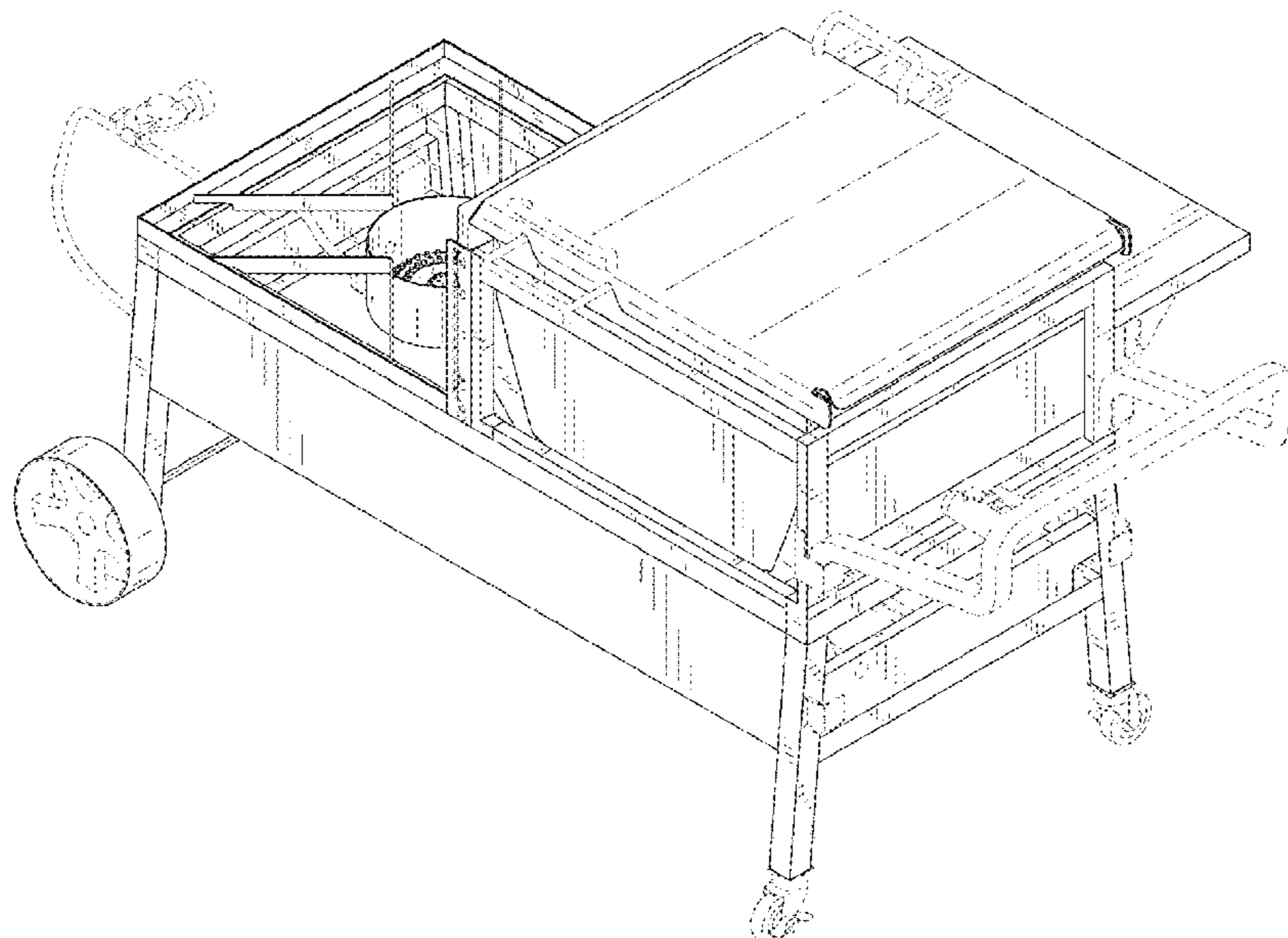
FIG. 1 is a first perspective view of a cooking appliance showing my new design;
 FIG. 2 is a second perspective view thereof;
 FIG. 3 is a third perspective view thereof;
 FIG. 4 is a fourth perspective view thereof;
 FIG. 5 is a fifth perspective view thereof, wherein the handle is assembled in a lower position;
 FIG. 6 is a front view thereof;
 FIG. 7 is a rear view thereof;
 FIG. 8 is a left side view thereof;
 FIG. 9 is a right side view thereof;
 FIG. 10 is a top view thereof; and,
 FIG. 11 is a bottom view thereof.
 The broken lines depict portions of the cooking appliance that form no part of the claimed design.

1 Claim, 11 Drawing Sheets

(56) **References Cited**

U.S. PATENT DOCUMENTS

- D285,522 S * 9/1986 Basini D7/334
- 4,646,711 A * 3/1987 Oliphant A47J 37/0763
- 126/25 R
- D380,933 S * 7/1997 Schlosser D7/332
- D468,149 S * 1/2003 Surles D7/334



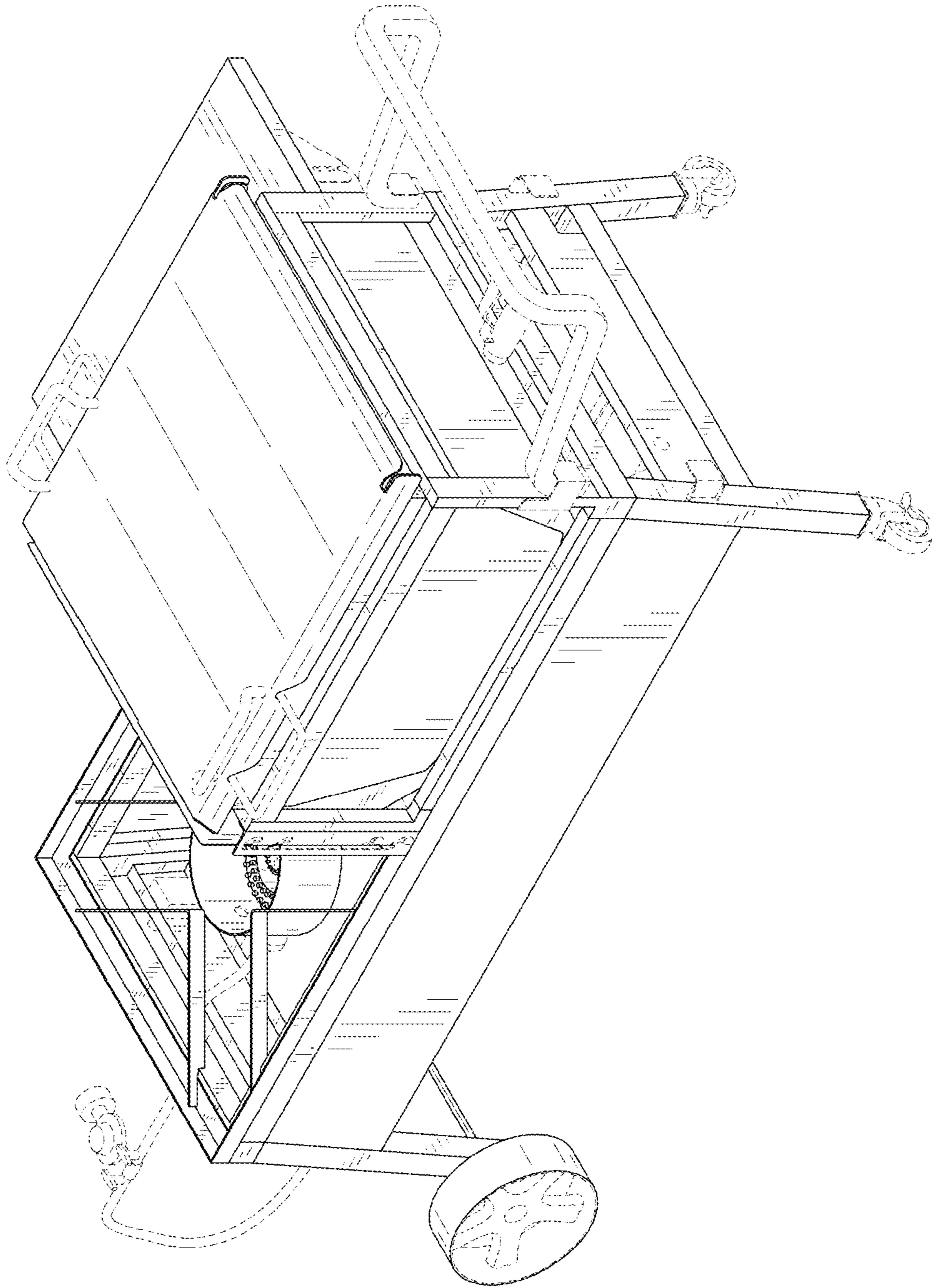


FIG. 1

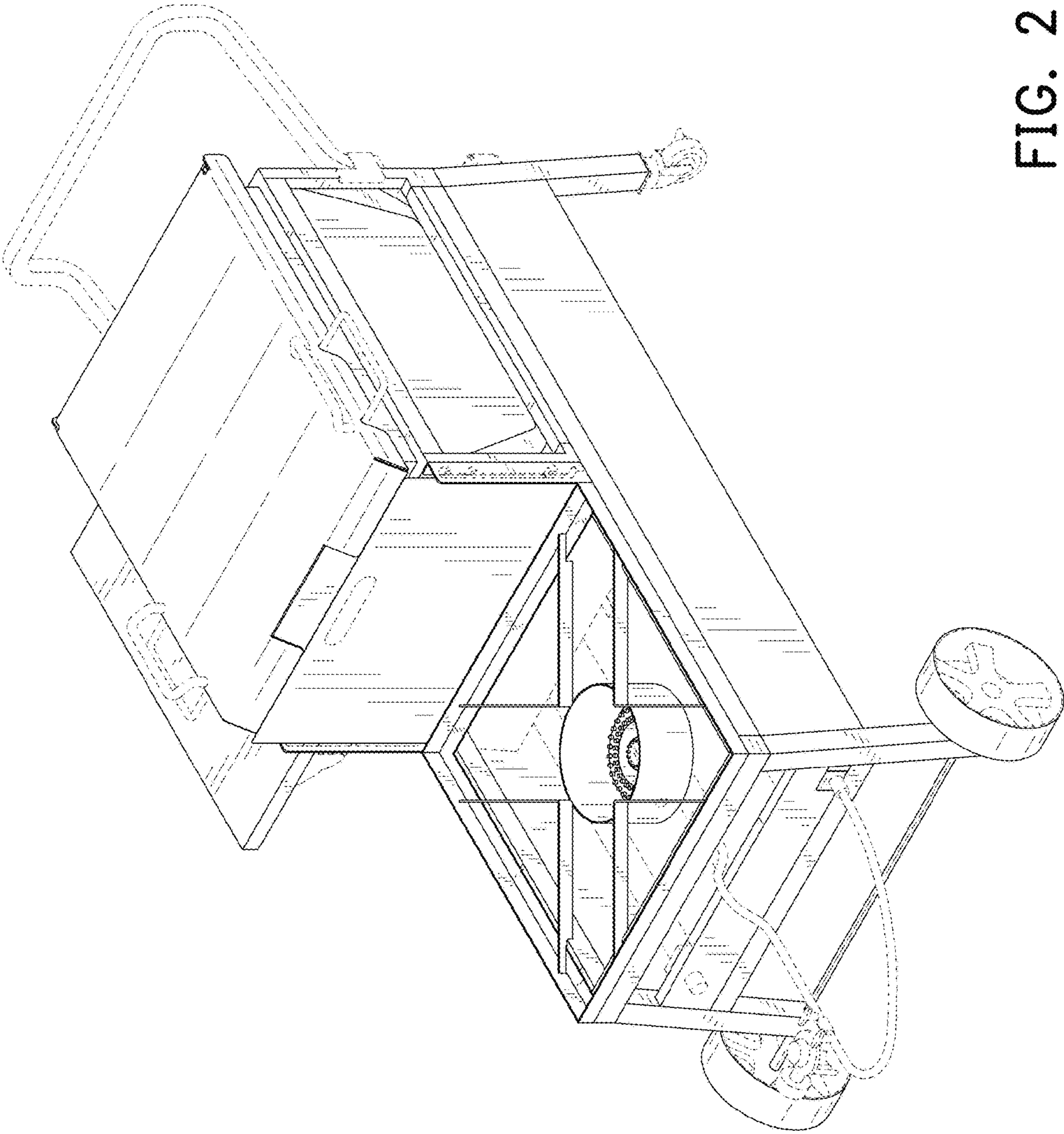


FIG. 2

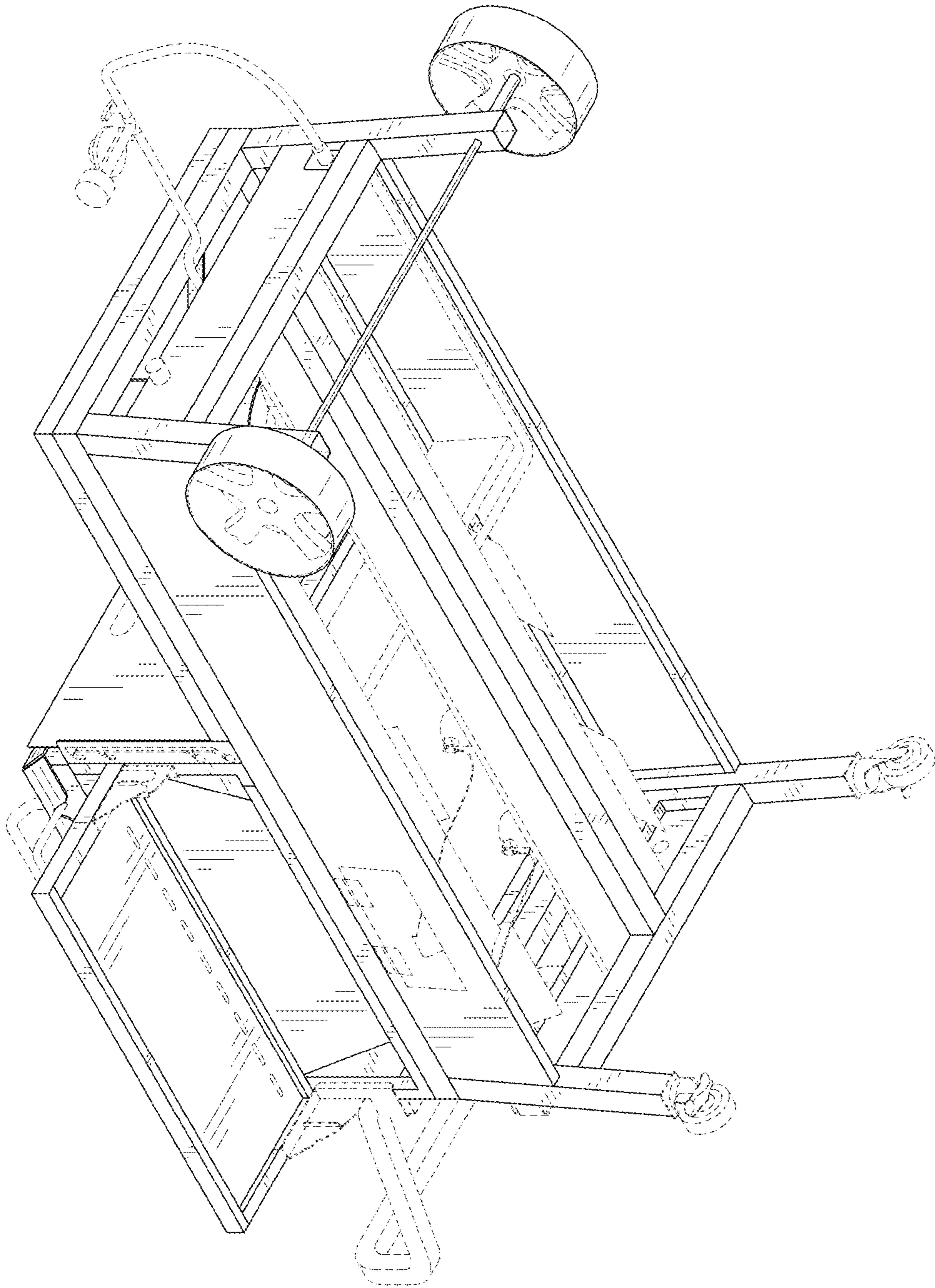


FIG. 3

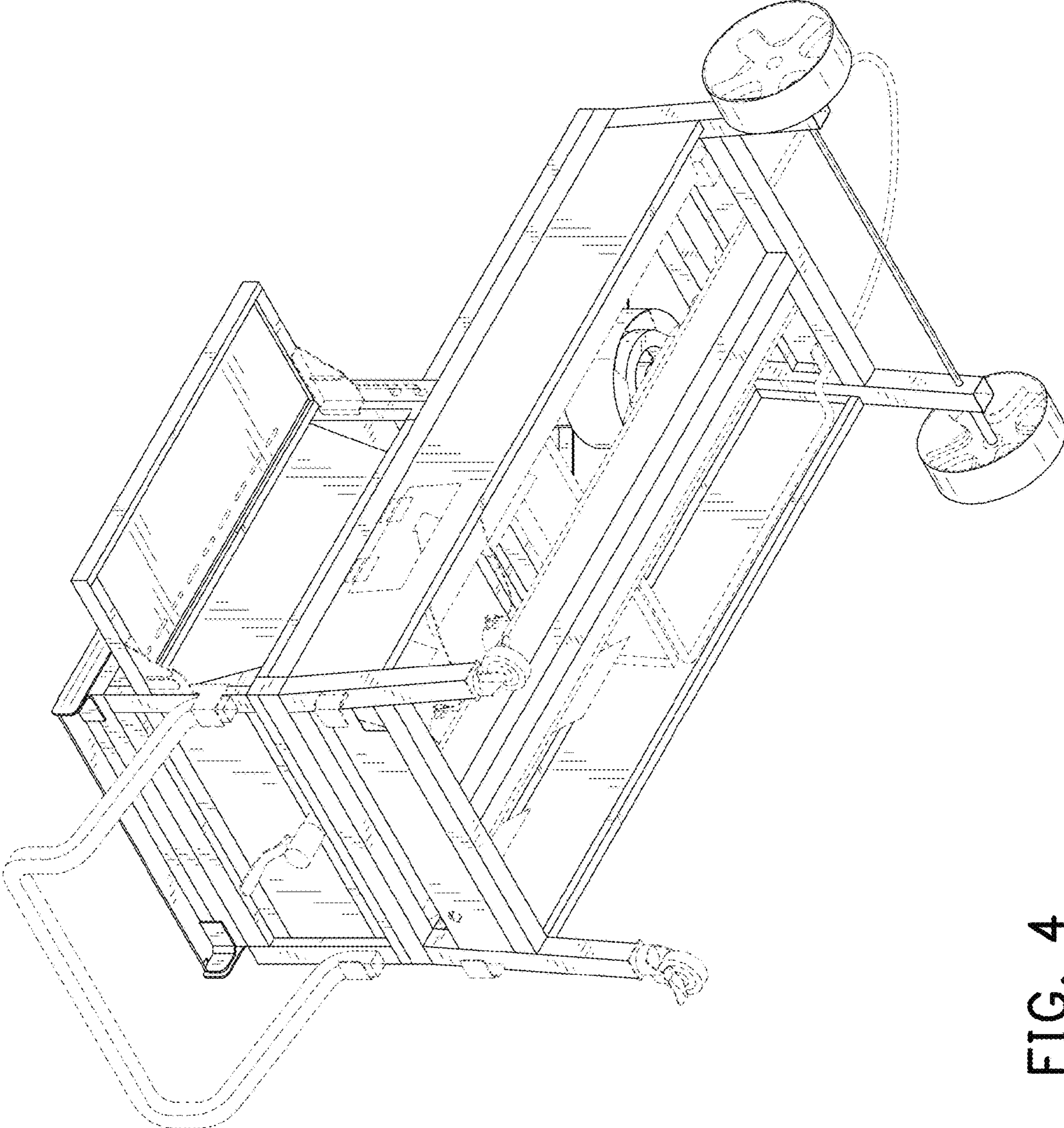


FIG. 4

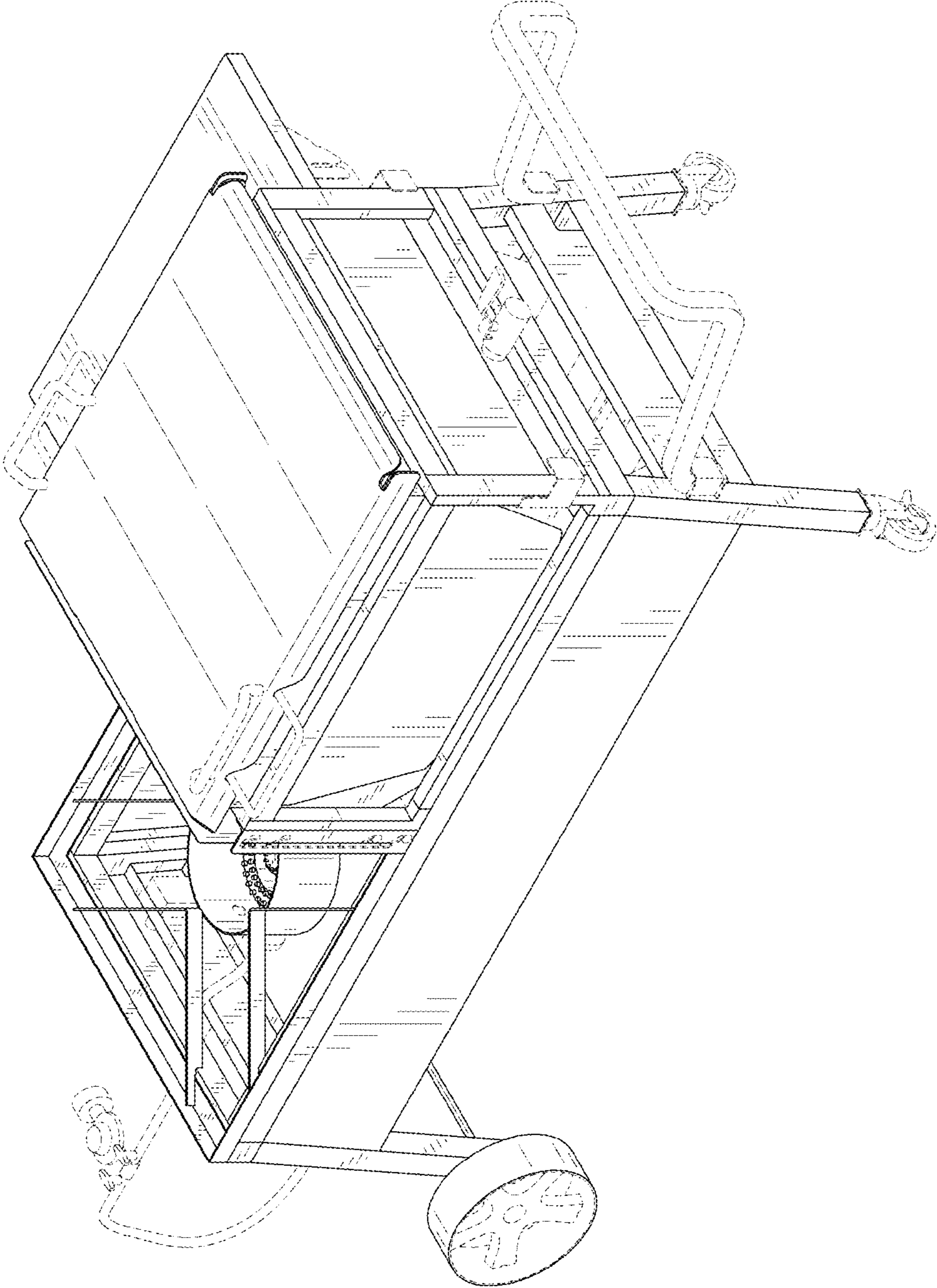


FIG. 5

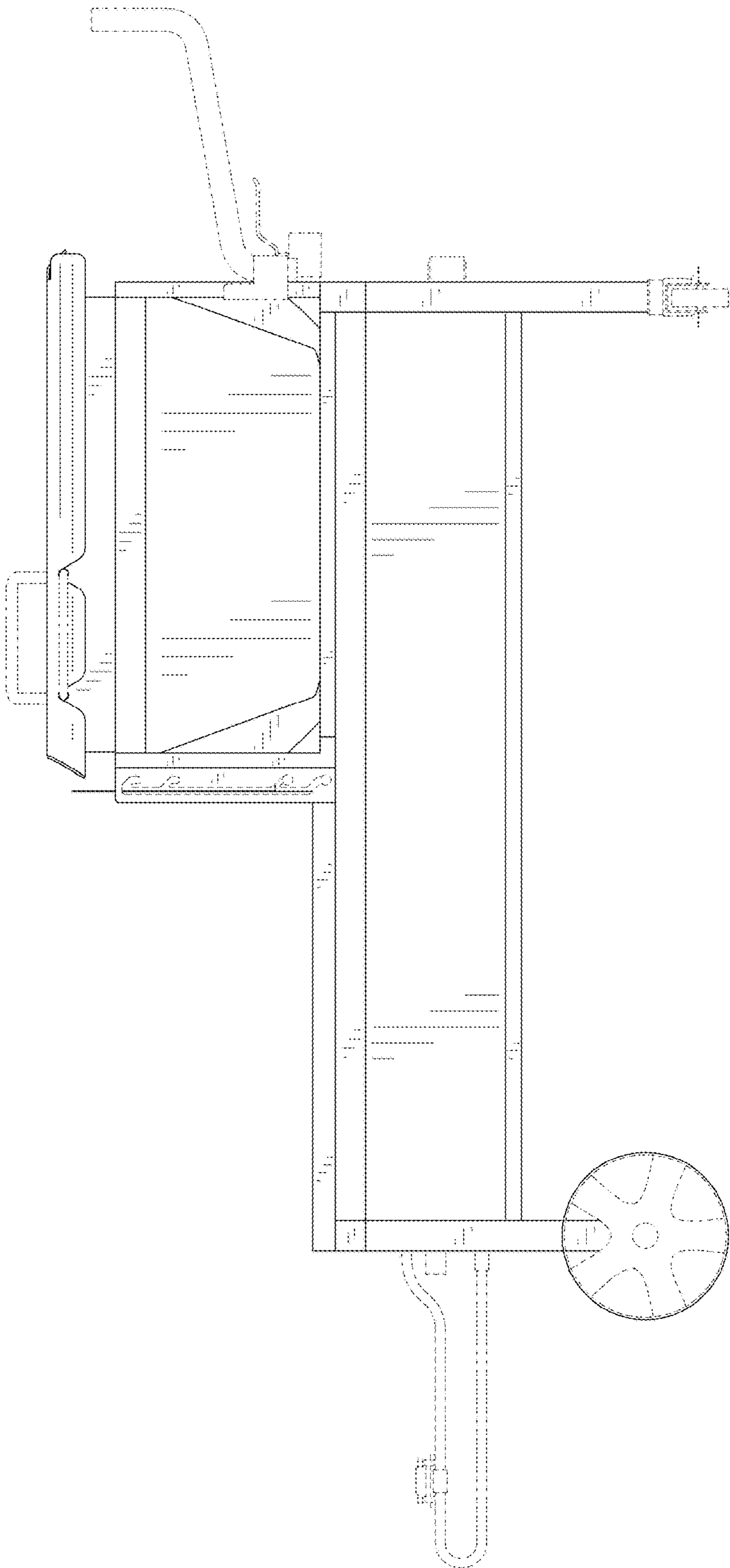


FIG. 6

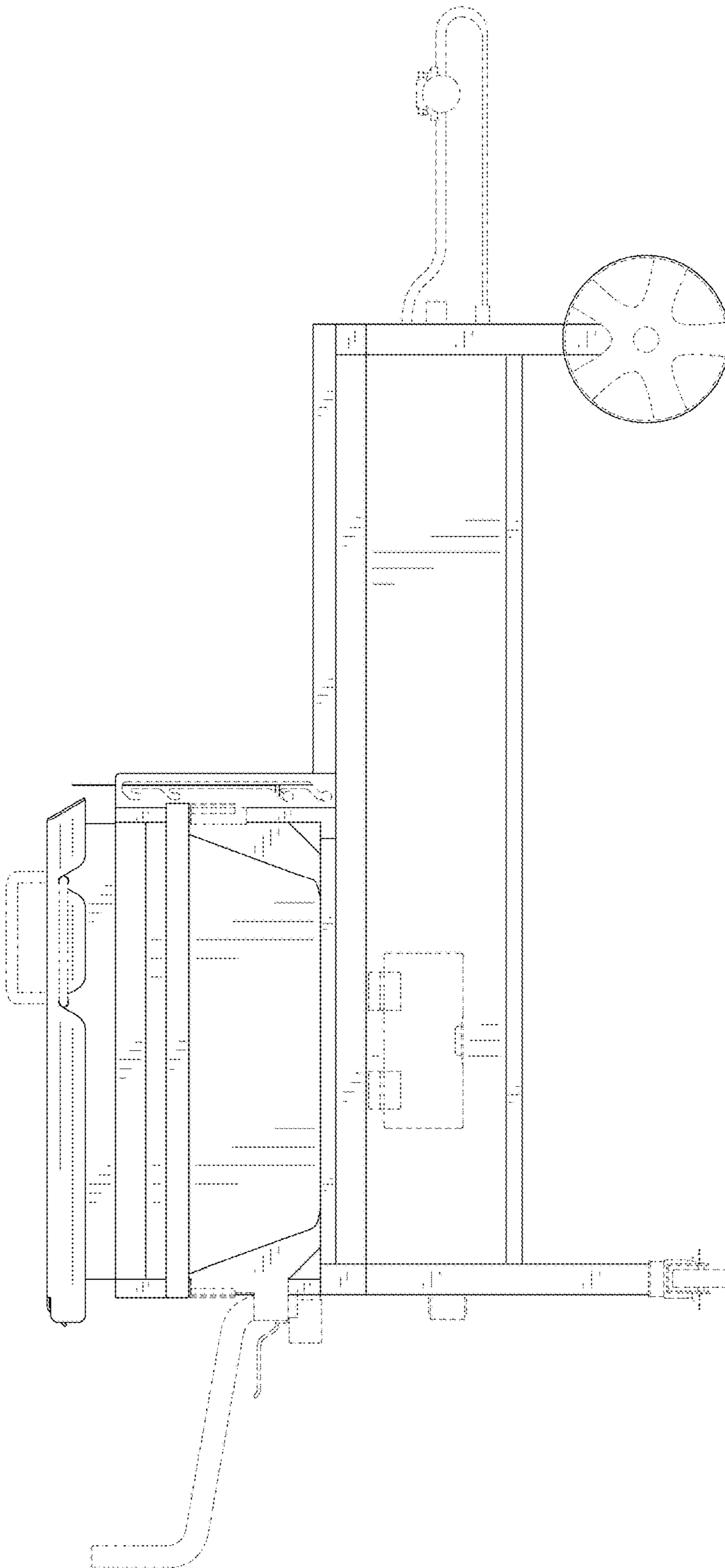


FIG. 7

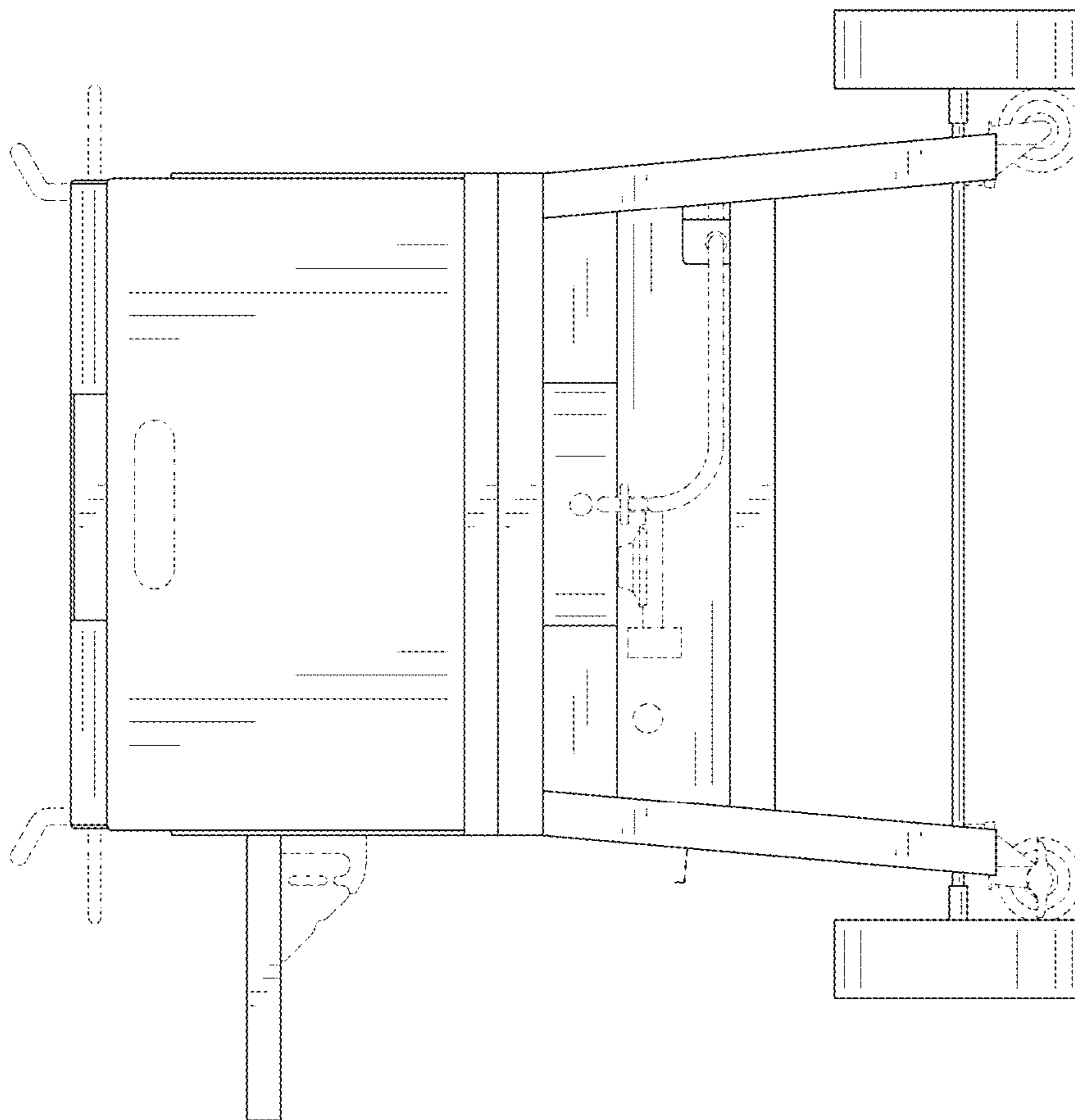


FIG. 8

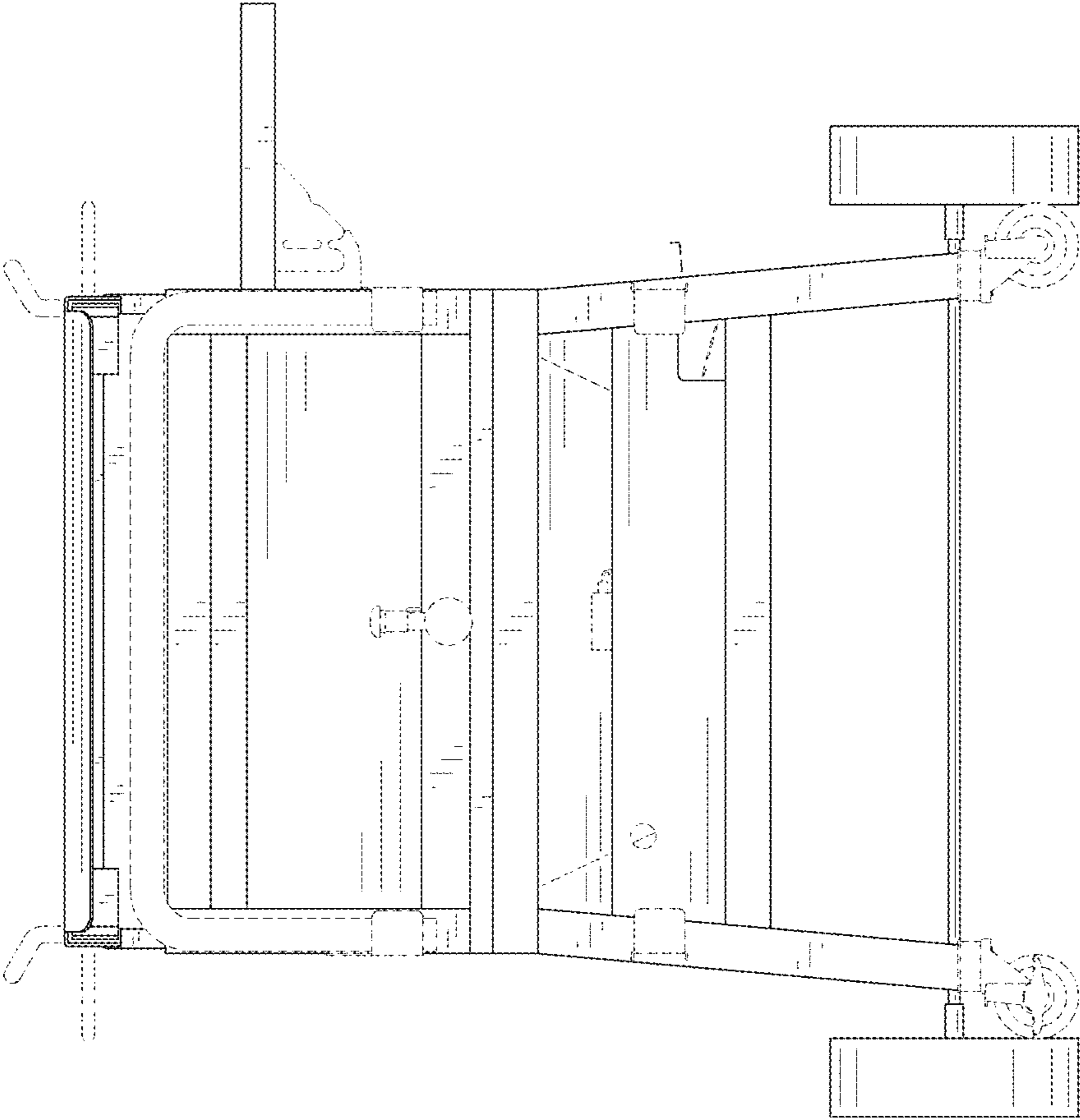


FIG. 9

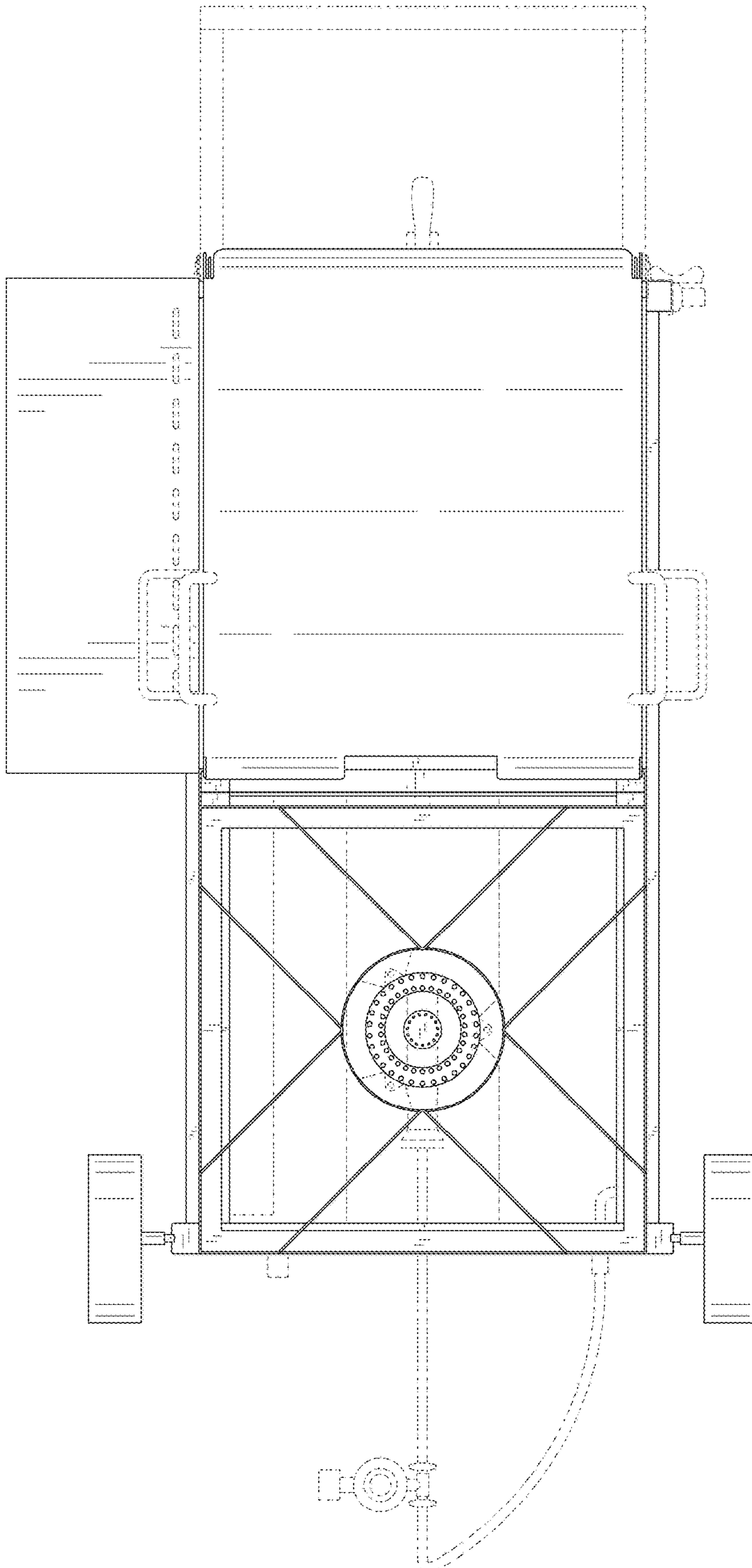


FIG. 10

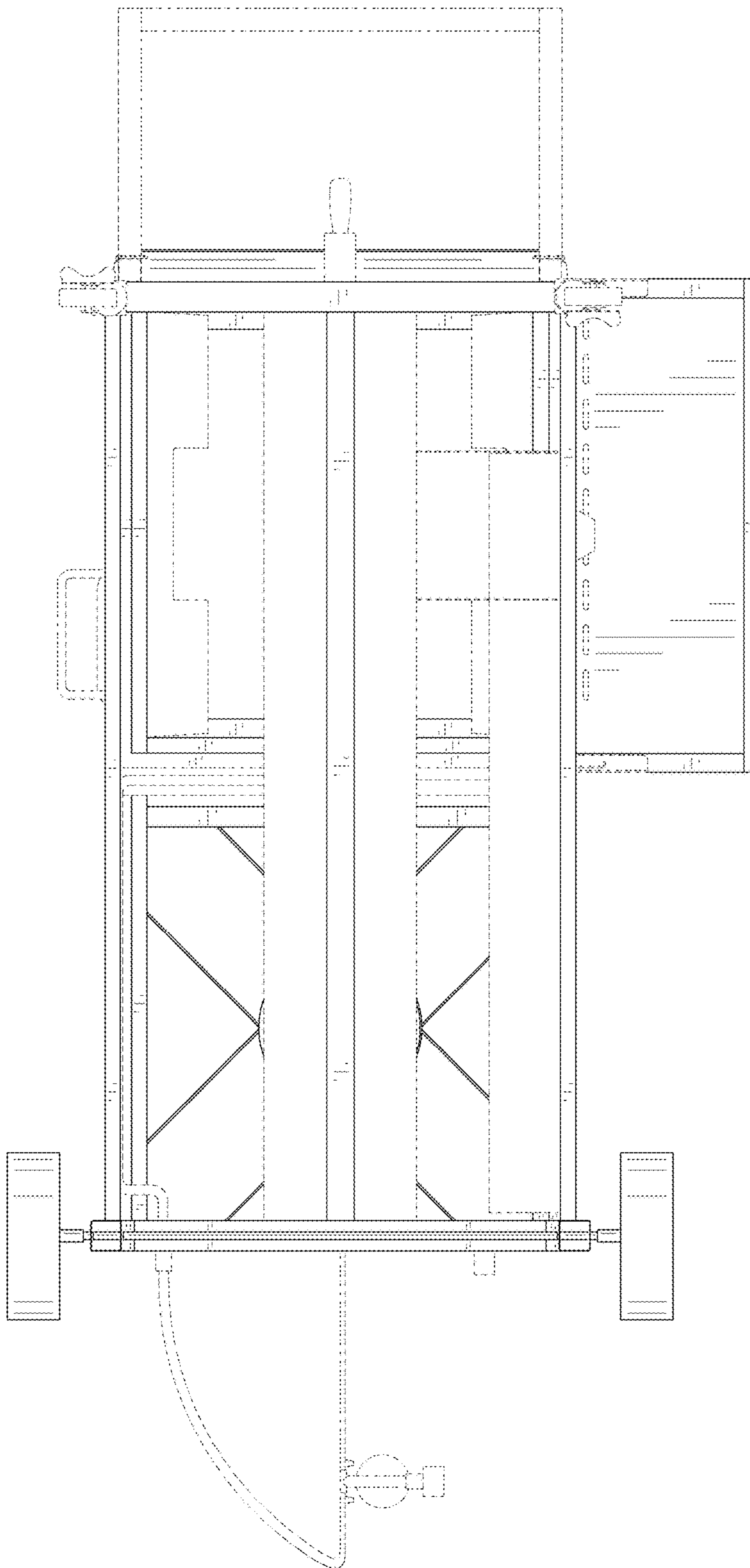


FIG. 11