



US00D908414S

(12) **United States Design Patent**  
**Sun**

(10) **Patent No.:** **US D908,414 S**  
(45) **Date of Patent:** **\*\* Jan. 26, 2021**

(54) **COMBINED POLYGON STOVE**

(71) Applicant: **Yuli Sun**, Qingdao (CN)

(72) Inventor: **Yuli Sun**, Qingdao (CN)

(\*\*) Term: **15 Years**

(21) Appl. No.: **29/730,973**

(22) Filed: **Apr. 10, 2020**

(51) **LOC (13) Cl.** ..... **07-02**

(52) **U.S. Cl.**  
USPC ..... **D7/332**; D23/332; D23/343

(58) **Field of Classification Search**  
USPC ..... D7/332-338, 402-409, 355, 356, 360,  
D7/362, 364, 365, 366; D23/343, 348,  
D23/332, 335, 314, 345, 415  
CPC ..... A47J 37/07-0763; A47J 37/0781; A47J  
37/0786; A47J 2037/0777; A47J 33/00;  
A47J 2201/00; F24C 3/14; F24C 1/16;  
F24B 1/181; F24B 1/19; F24B 1/195;  
F24B 1/00; F24B 1/202-207; F24B 3/00;  
F23B 20/00

See application file for complete search history.

(56) **References Cited**

**U.S. PATENT DOCUMENTS**

D358,204 S *	5/1995	Ferrier	.....	D23/314
D390,935 S *	2/1998	Bosje	.....	D23/314
D440,299 S	4/2001	Tseng		
D615,185 S *	5/2010	Davies	.....	D23/415
D836,187 S *	12/2018	Frasher	.....	D23/332
D858,729 S *	9/2019	Scott	.....	D23/348
2008/0236573 A1 *	10/2008	Fehr	.....	F24C 1/16 126/9 A
2012/0318255 A1 *	12/2012	Brown	.....	F23B 20/00 126/25 R
2014/0238378 A1 *	8/2014	Scott	.....	F24B 1/181 126/55
2017/0205068 A1 *	7/2017	Anderson	.....	F23B 20/00
2019/0137107 A1 *	5/2019	Crosen	.....	F24B 1/181

(Continued)

**FOREIGN PATENT DOCUMENTS**

EM	004407542-0002	*	4/2018	
WO	WO-2009099404 A2	*	8/2009	..... F24B 1/202
WO	WO-2018160767 A1	*	9/2018	..... F24B 1/181

**OTHER PUBLICATIONS**

Titan Great Outdoor, Titan Corten Steel Near Smokeless Wood Burning Backyard Fire Pid, Nov. 6, 2019, Amazon, <https://www.amazon.com/Titan-Corten-Smokeless-Burning-Backyard/dp/B07WTWY7Z1> (Year: 2019).\*

(Continued)

*Primary Examiner* — Brett Miller

(74) *Attorney, Agent, or Firm* — ZANIP

(57) **CLAIM**

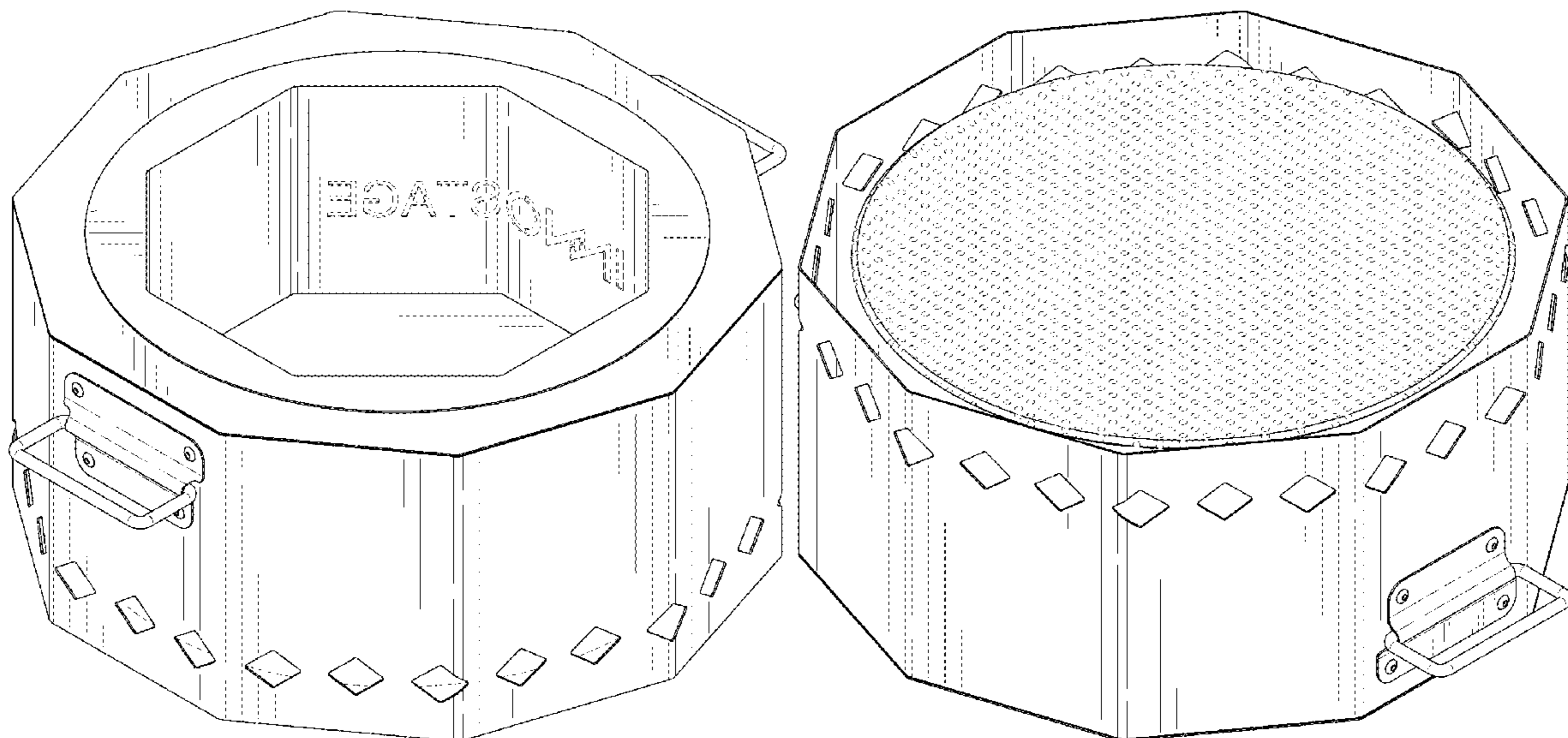
The ornamental design for a combined polygon stove, as shown and described.

**DESCRIPTION**

FIG. 1 is a front and top perspective view of a combined polygon stove, showing my new design;  
FIG. 2 is a rear and bottom perspective view thereof;  
FIG. 3 is a front elevational view thereof;  
FIG. 4 is a rear elevational view thereof;  
FIG. 5 is a left side elevational view thereof; the right side elevational view is a mirror image of the left side;  
FIG. 6 is a top plan view thereof;  
FIG. 7 is a bottom plan view thereof;  
FIG. 8 is a perspective view of an inner firepan including a plain and unornamental bottom, which is not shown; and,  
FIG. 9 is an exploded view of the combined polygon stove shown in FIG. 1.

The broken lines in the figures illustrate portions of the combined polygon stove that form no part of the claimed design.

**1 Claim, 9 Drawing Sheets**



(56)

**References Cited**

U.S. PATENT DOCUMENTS

2020/0096199 A1\* 3/2020 Harrington ..... F24B 5/026  
2020/0208842 A1\* 7/2020 Jan ..... F24B 1/181

OTHER PUBLICATIONS

Kinbor, Smokeless Bonfire Pit Wood Burning Fire Pits, Jan. 11, 2020, Amazon, <https://www.amazon.in/Smokeless-Bonfire-Burning-Outside-Portable/dp/B082TNNGX6> (Year: 2020).\*

\* cited by examiner

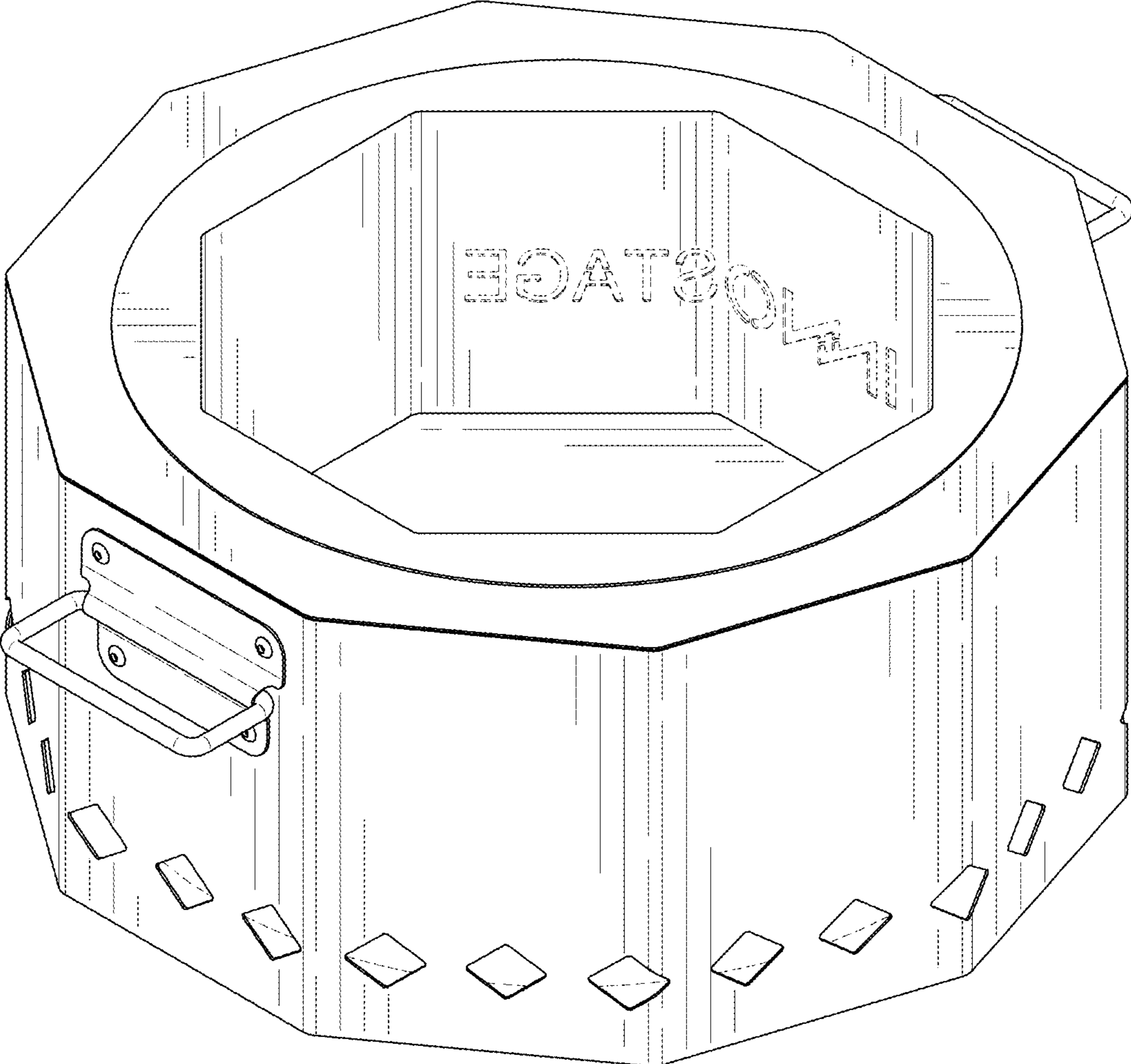


FIG. 1

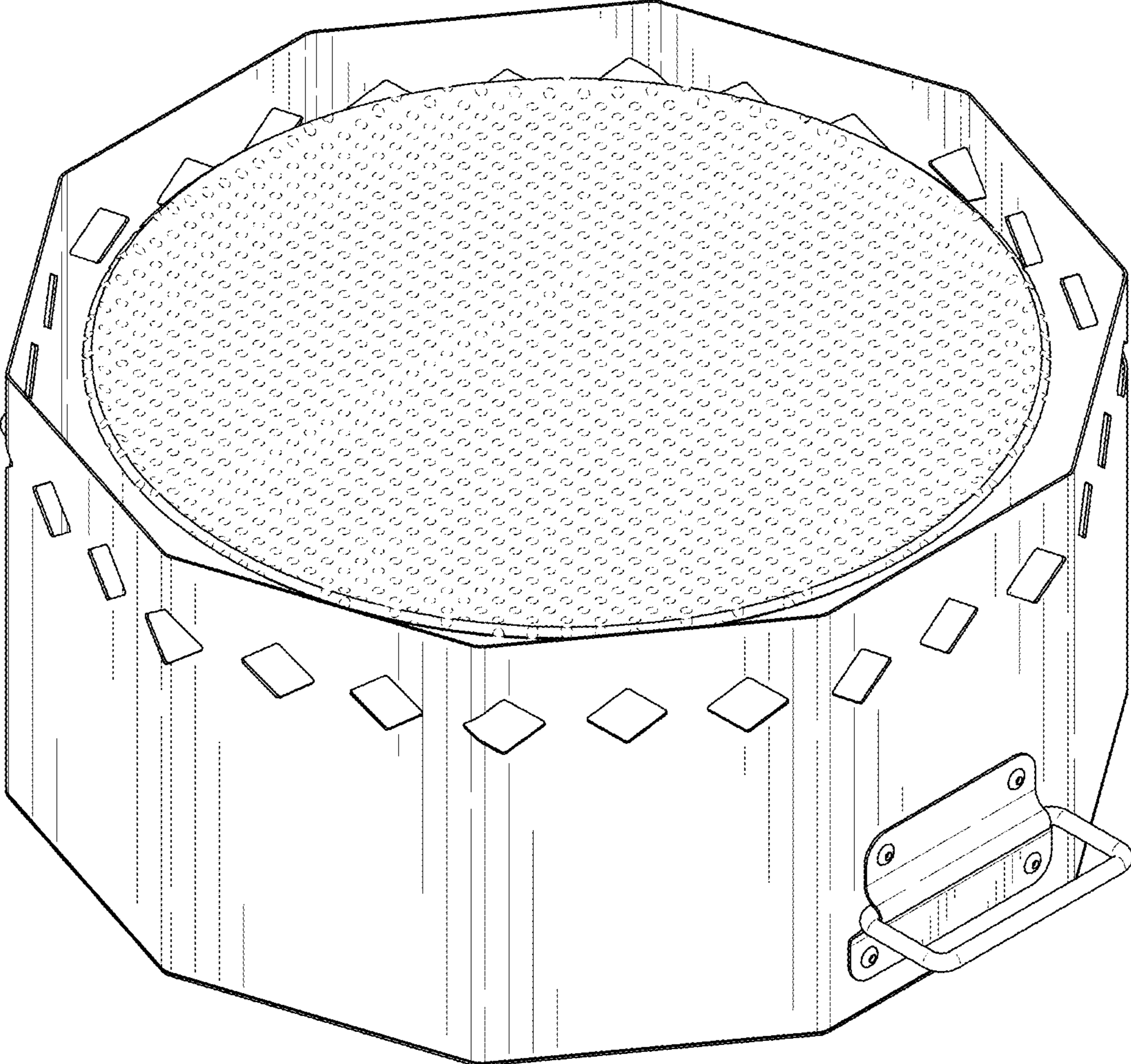


FIG. 2

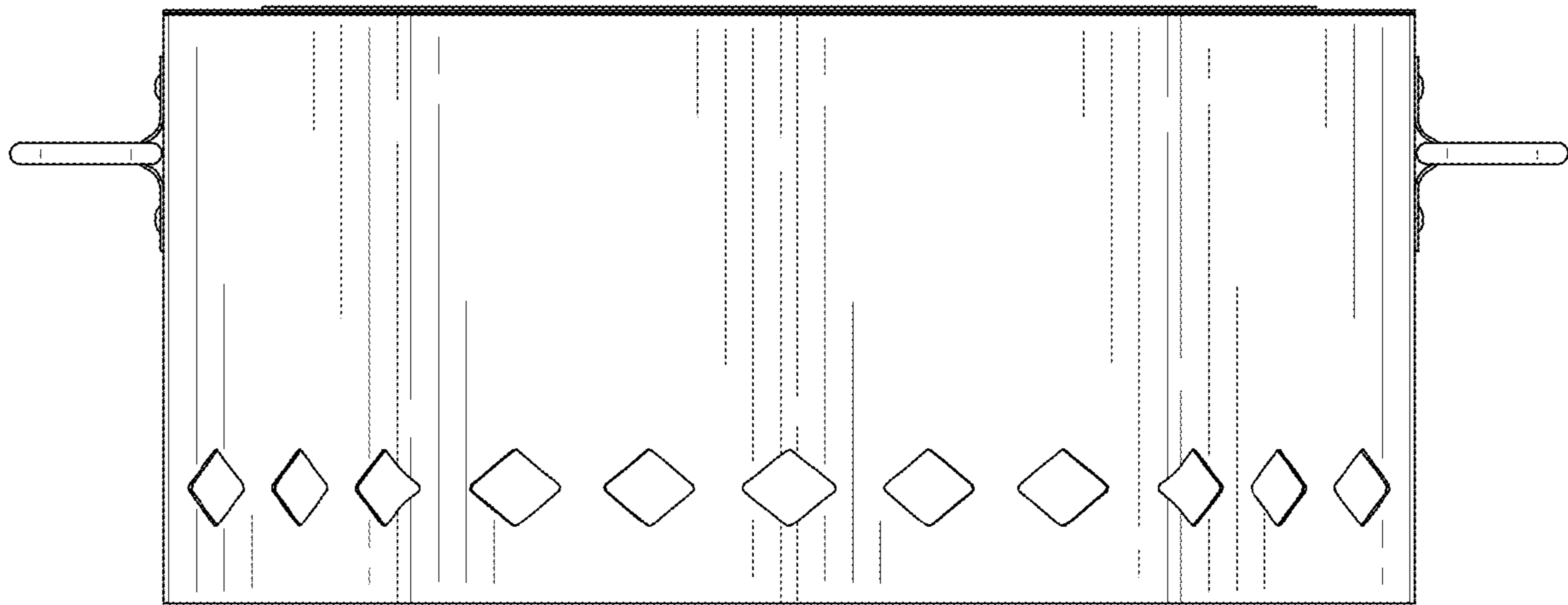


FIG. 3

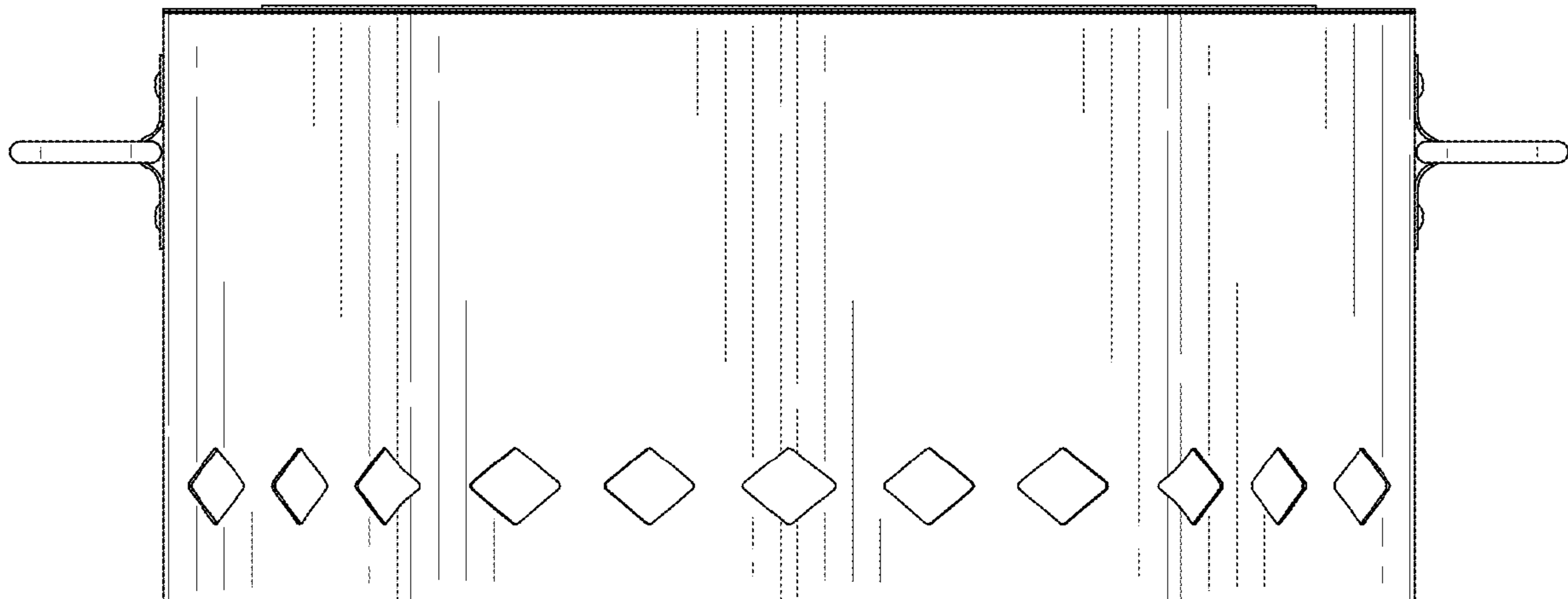


FIG. 4

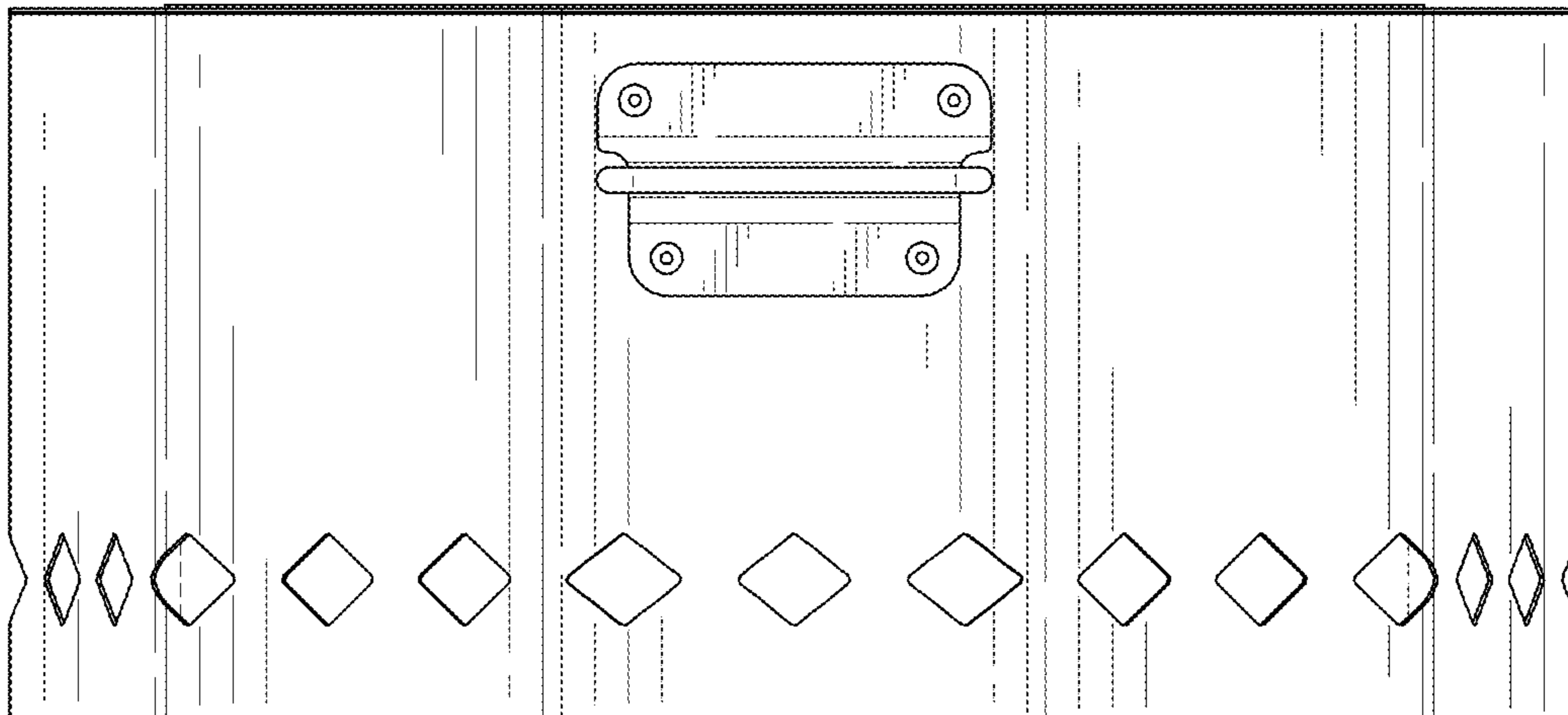


FIG. 5

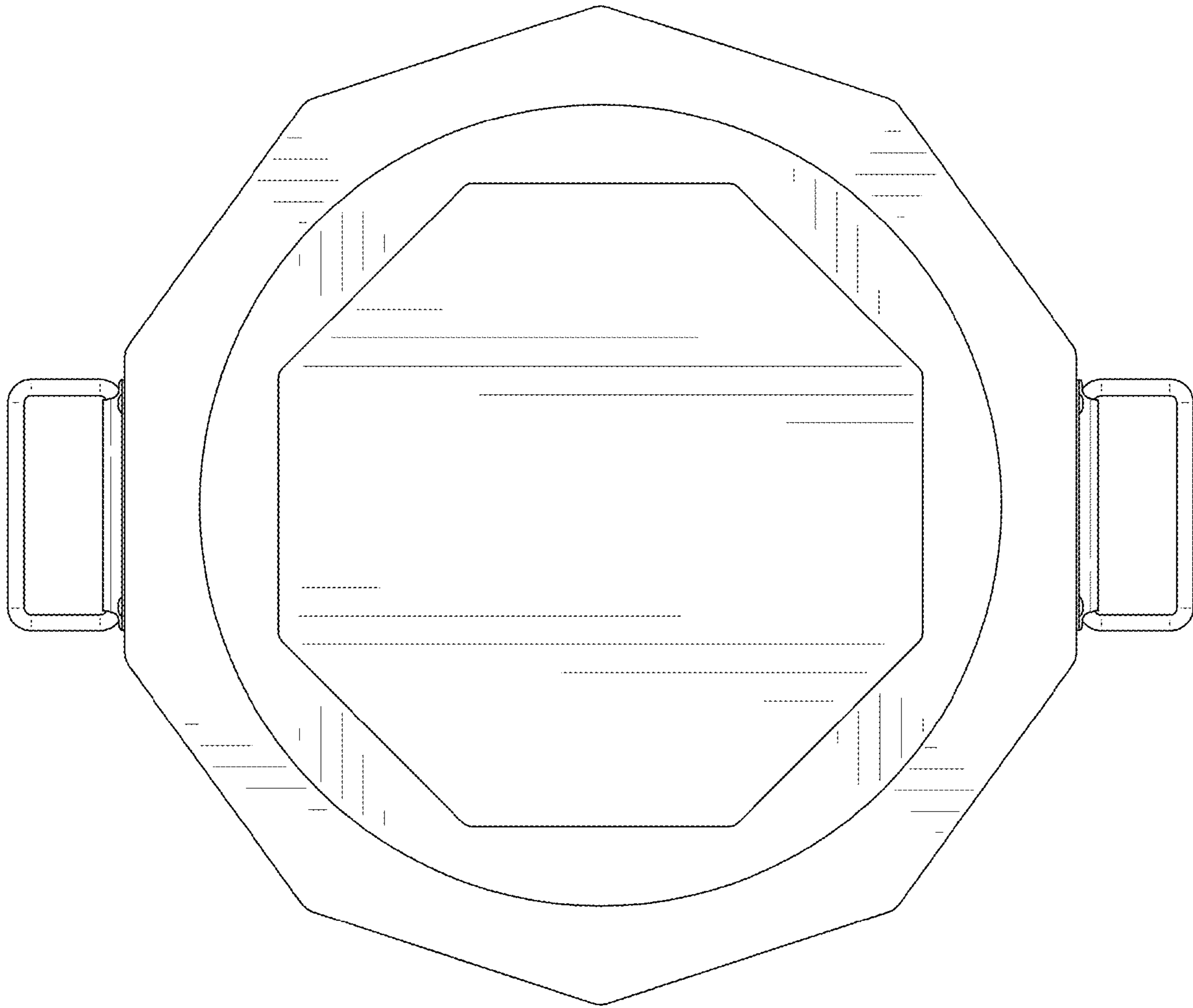


FIG. 6



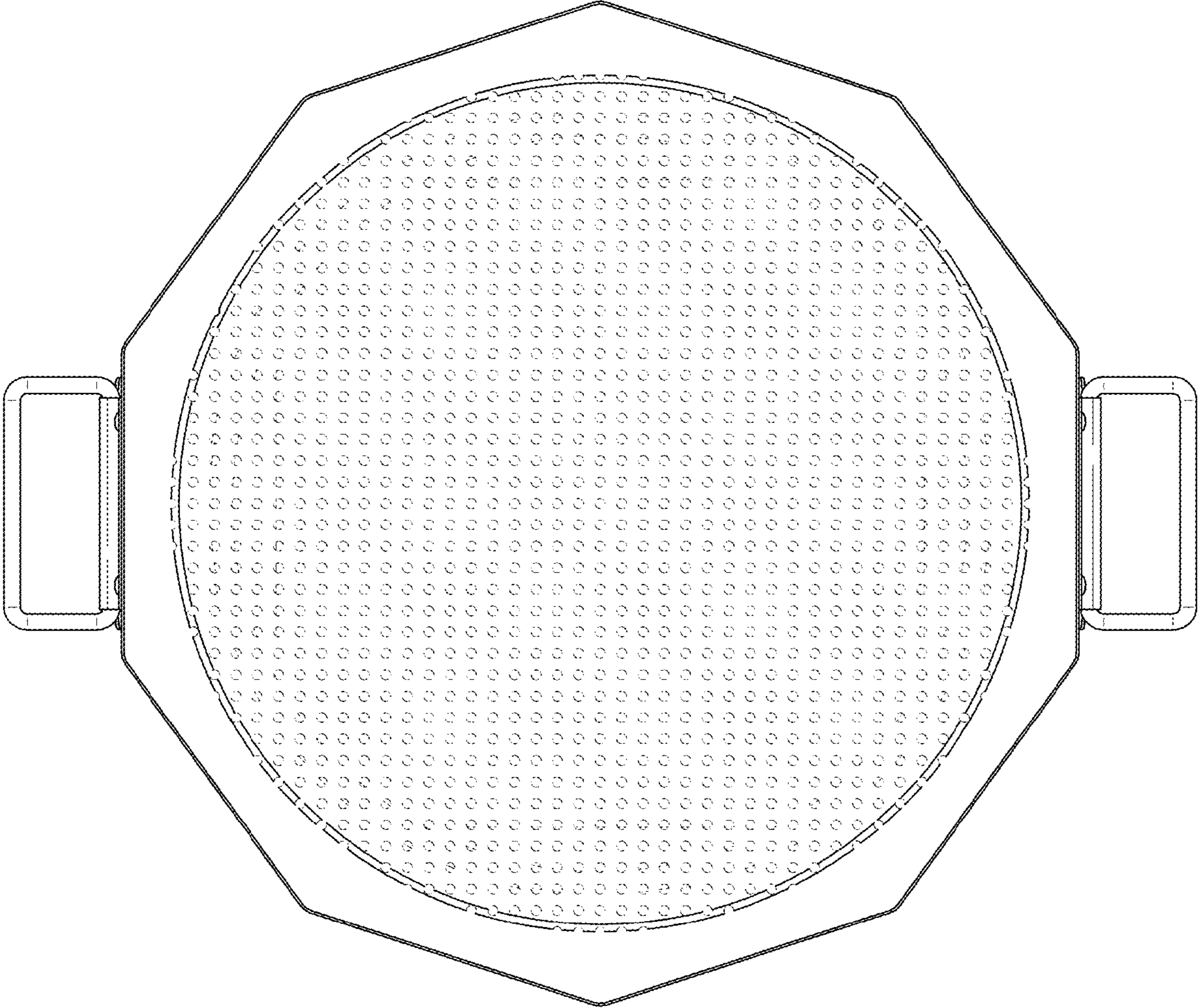


FIG. 7

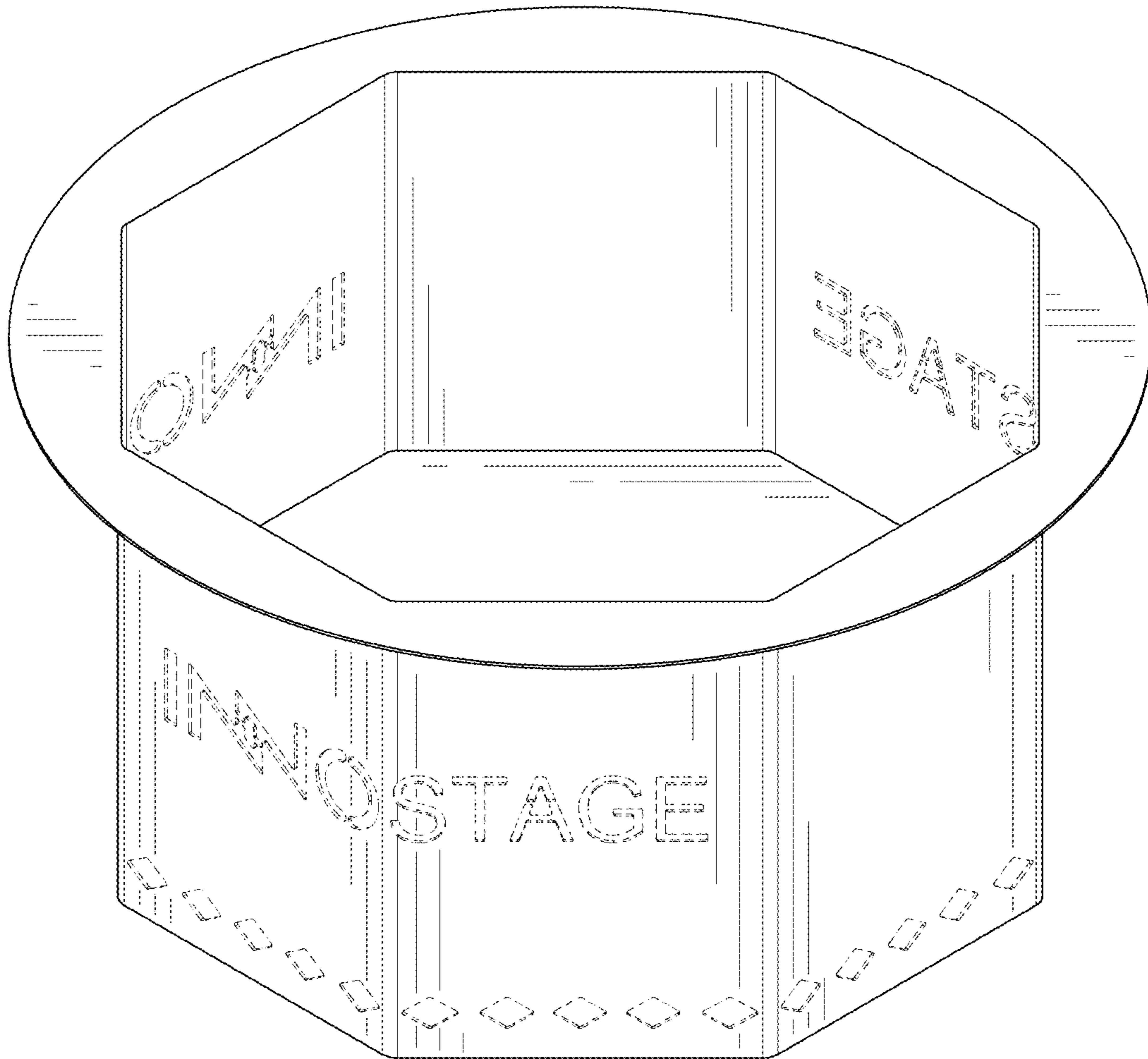


FIG. 8

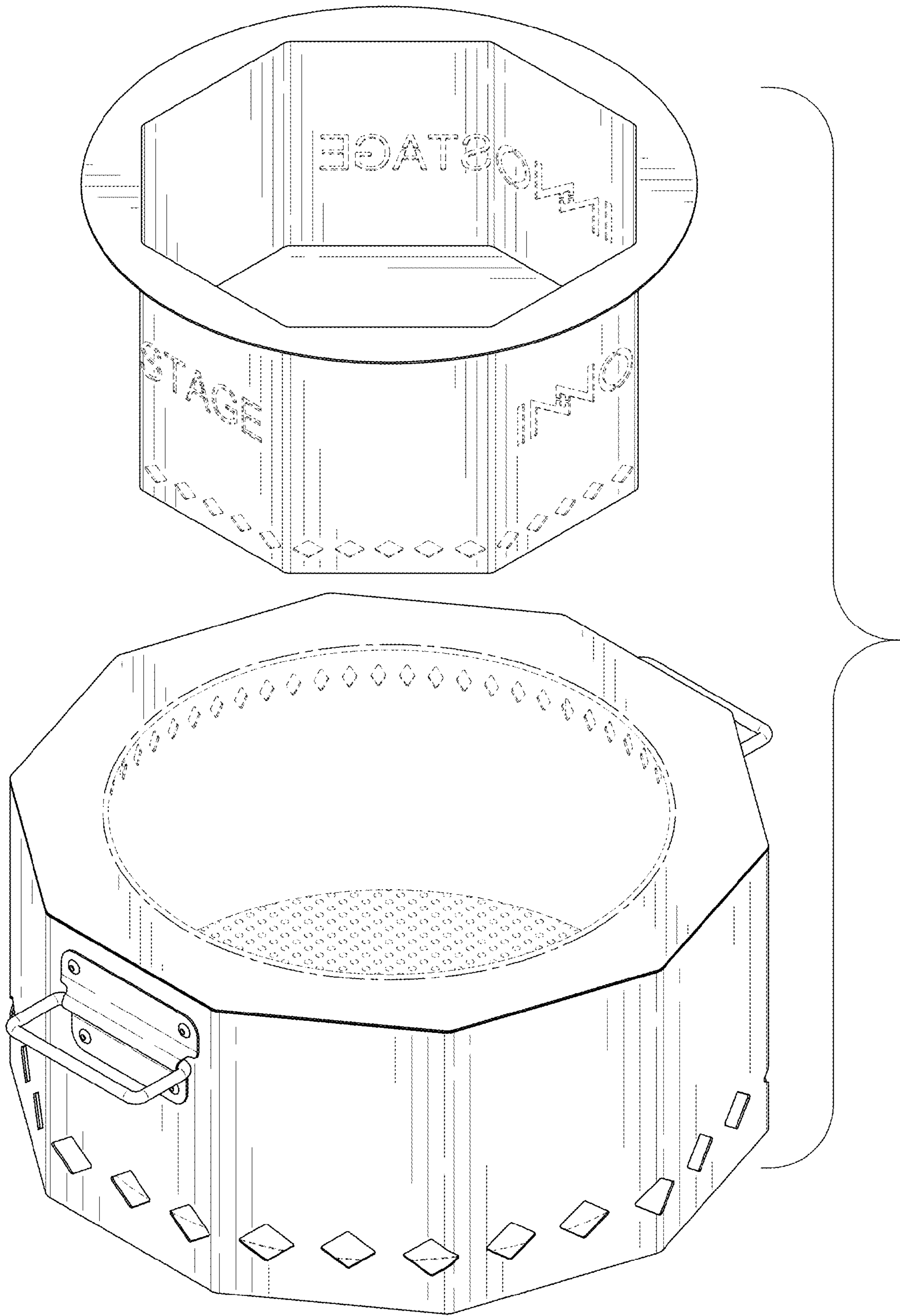


FIG. 9