



US00D908413S

(12) **United States Design Patent**
Keenan

(10) **Patent No.:** **US D908,413 S**
(45) **Date of Patent:** **** Jan. 26, 2021**

(54) **MOBILE WATER STATION**
(71) Applicant: **AquaHaulics Inc.**, Carlsbad Springs (CA)
(72) Inventor: **Thomas Russell Keenan**, Carlsbad Springs (CA)
(73) Assignee: **AQUAHAULICS INC.**, Carlsbad Springs (CA)
(**) Term: **15 Years**

D264,214 S * 5/1982 Bowen D34/14
D311,844 S * 11/1990 Chase D7/308
5,108,590 A * 4/1992 DiSanto B01D 61/08
210/195.2
D343,332 S * 1/1994 Schroeder D7/300
D347,960 S * 6/1994 Strohmeier D7/306
D364,771 S * 12/1995 DiSanto D7/306
5,626,353 A * 5/1997 Campbell A47B 31/02
280/47.35
D381,857 S * 8/1997 Swaim D7/307
D395,975 S * 7/1998 Munoz D7/308
D463,193 S * 9/2002 Sandor D7/307
D465,119 S * 11/2002 Strandell D7/307
D502,353 S * 3/2005 Anderson D7/305

(21) Appl. No.: **29/677,948**

* cited by examiner

(22) Filed: **Jan. 24, 2019**

Primary Examiner — Marianne N Pandozzi
(74) *Attorney, Agent, or Firm* — McAndrews, Held & Malloy, Ltd.

(30) **Foreign Application Priority Data**

Jul. 31, 2018 (CA) 182799

(51) **LOC (13) Cl.** **07-01**

(52) **U.S. Cl.**
USPC **D7/307; D7/308**

(58) **Field of Classification Search**
USPC D7/305-308, 311; D34/14, 19
CPC B67D 1/0021; B01D 61/08; A47B 31/02;
A47J 31/46

See application file for complete search history.

(56) **References Cited**

U.S. PATENT DOCUMENTS

D235,009 S * 4/1975 Thompson D7/305
3,949,902 A * 4/1976 Thompson A47J 31/46
222/129.1
D261,390 S * 10/1981 Harvill D7/307
4,304,341 A * 12/1981 Shirley B67D 1/0078
222/131

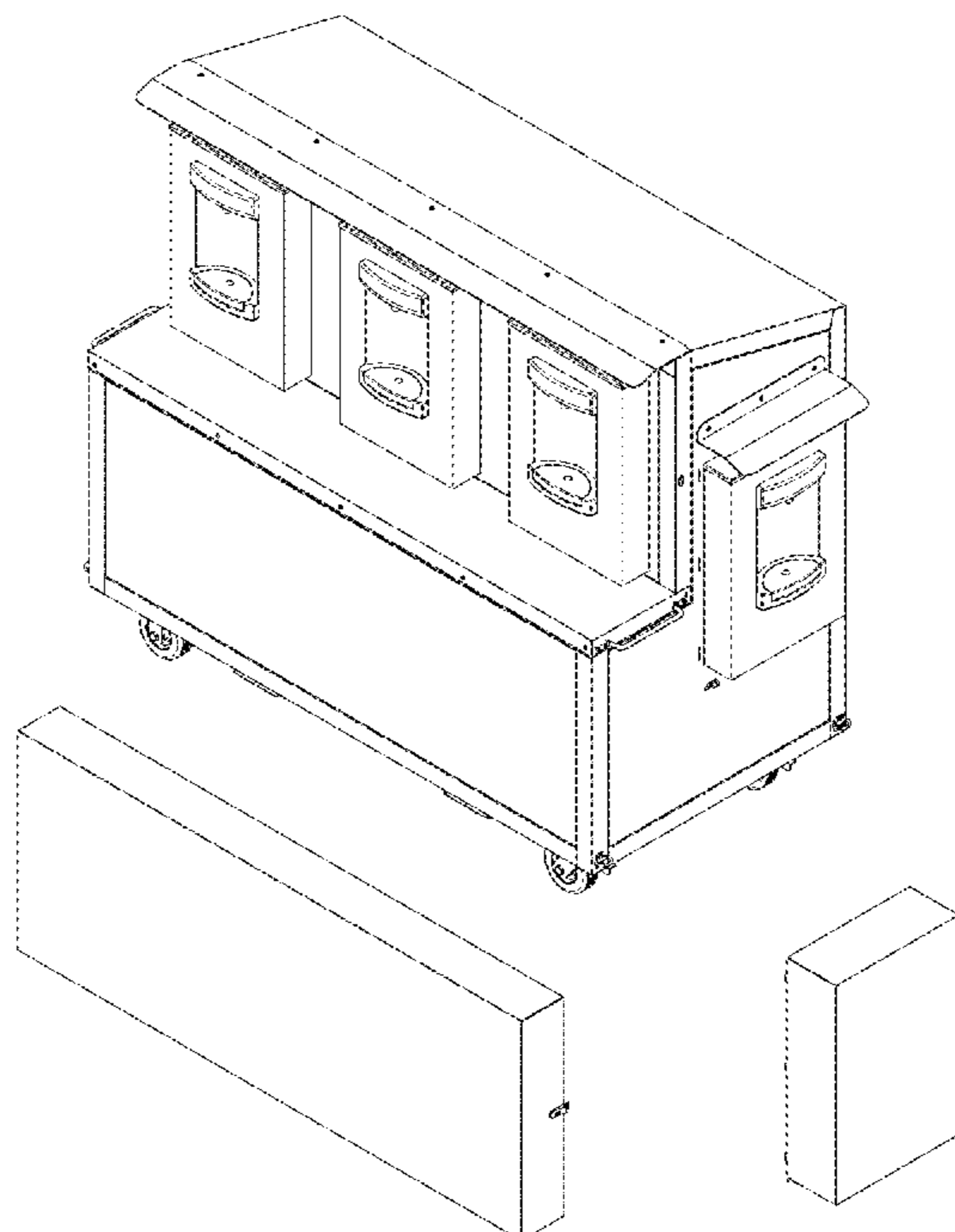
(57) **CLAIM**

The ornamental design for a mobile water station, as shown and described.

DESCRIPTION

FIG. 1 is a front perspective view of a mobile water station showing my new design in an open position; FIG. 2 is a front elevation view thereof; FIG. 3 is a right side elevation view thereof; FIG. 4 is a left side elevation view thereof; FIG. 5 is a rear elevation view thereof; FIG. 6 is a top plan view thereof; FIG. 7 is a bottom plan view thereof; and, FIG. 8 is a front perspective thereof showing my new design in a closed position.

1 Claim, 8 Drawing Sheets



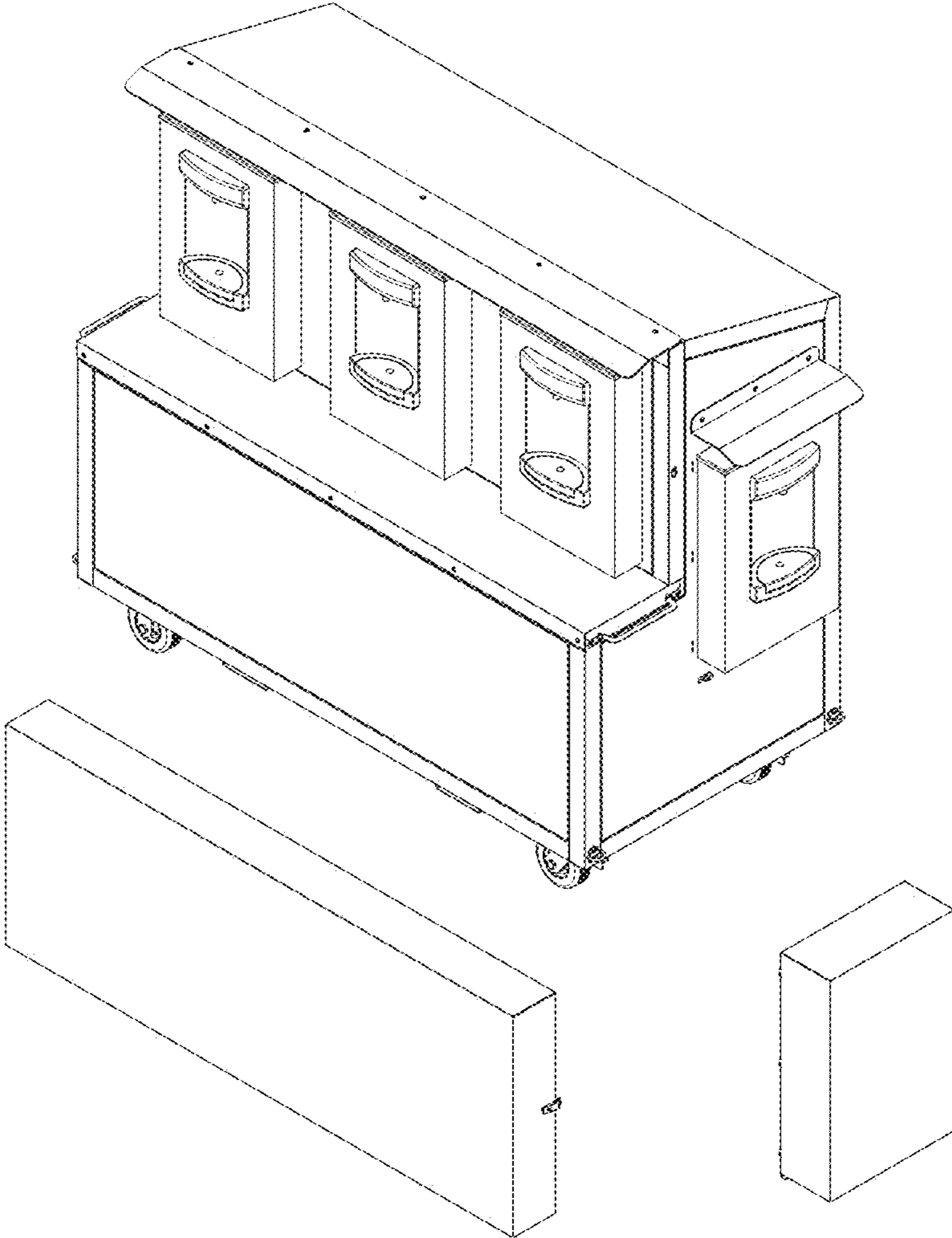


FIG. 1

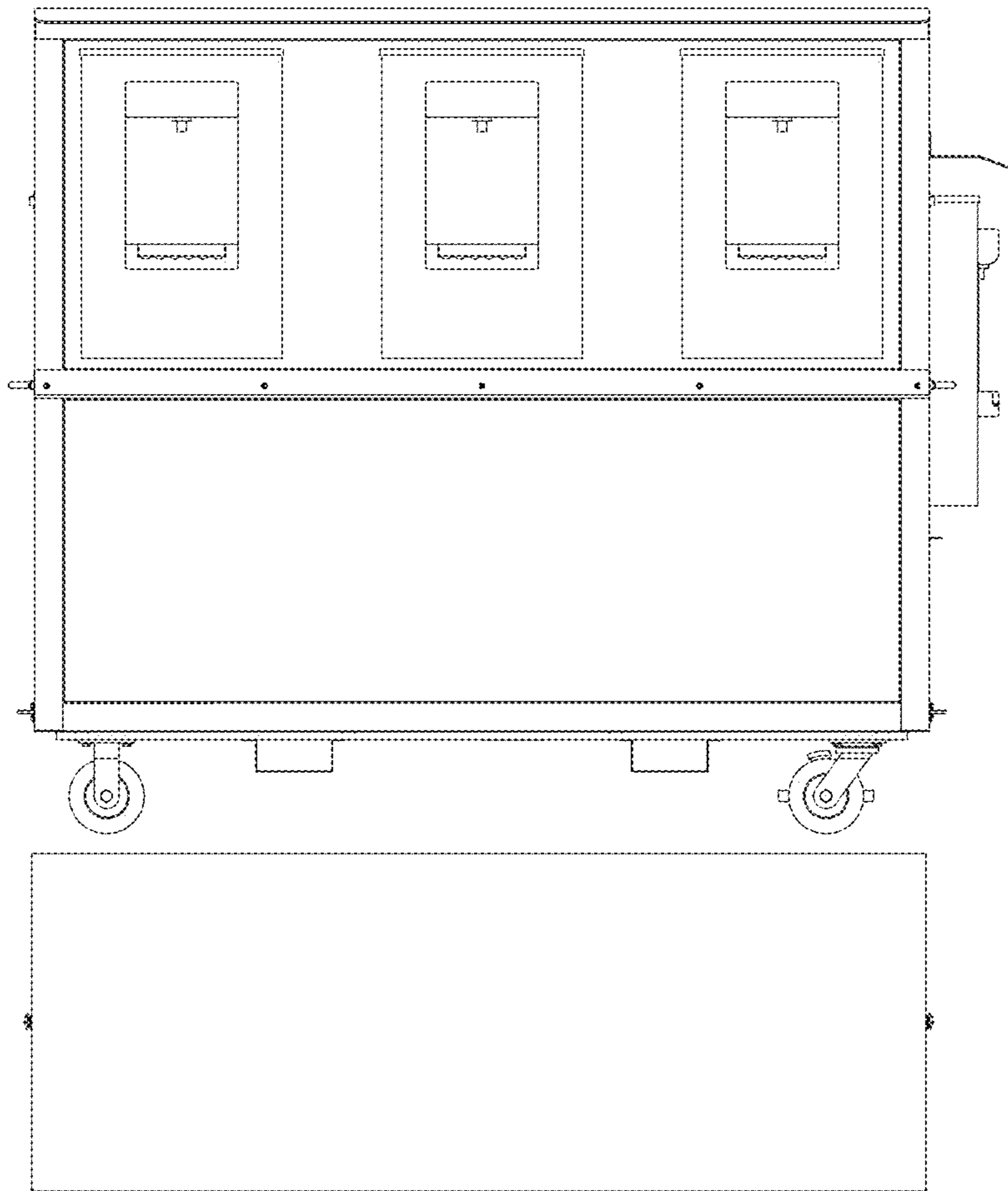


FIG. 2

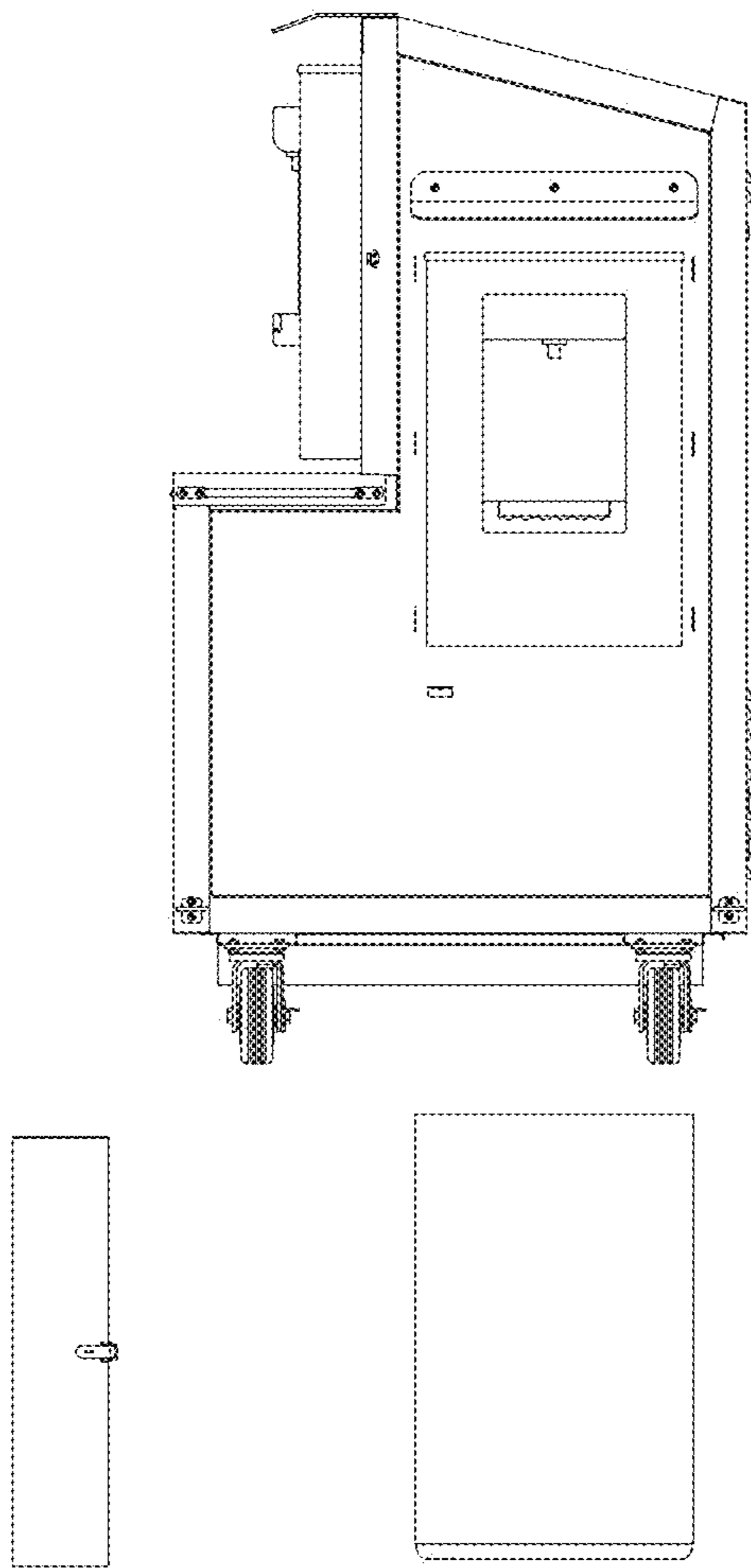


FIG. 3

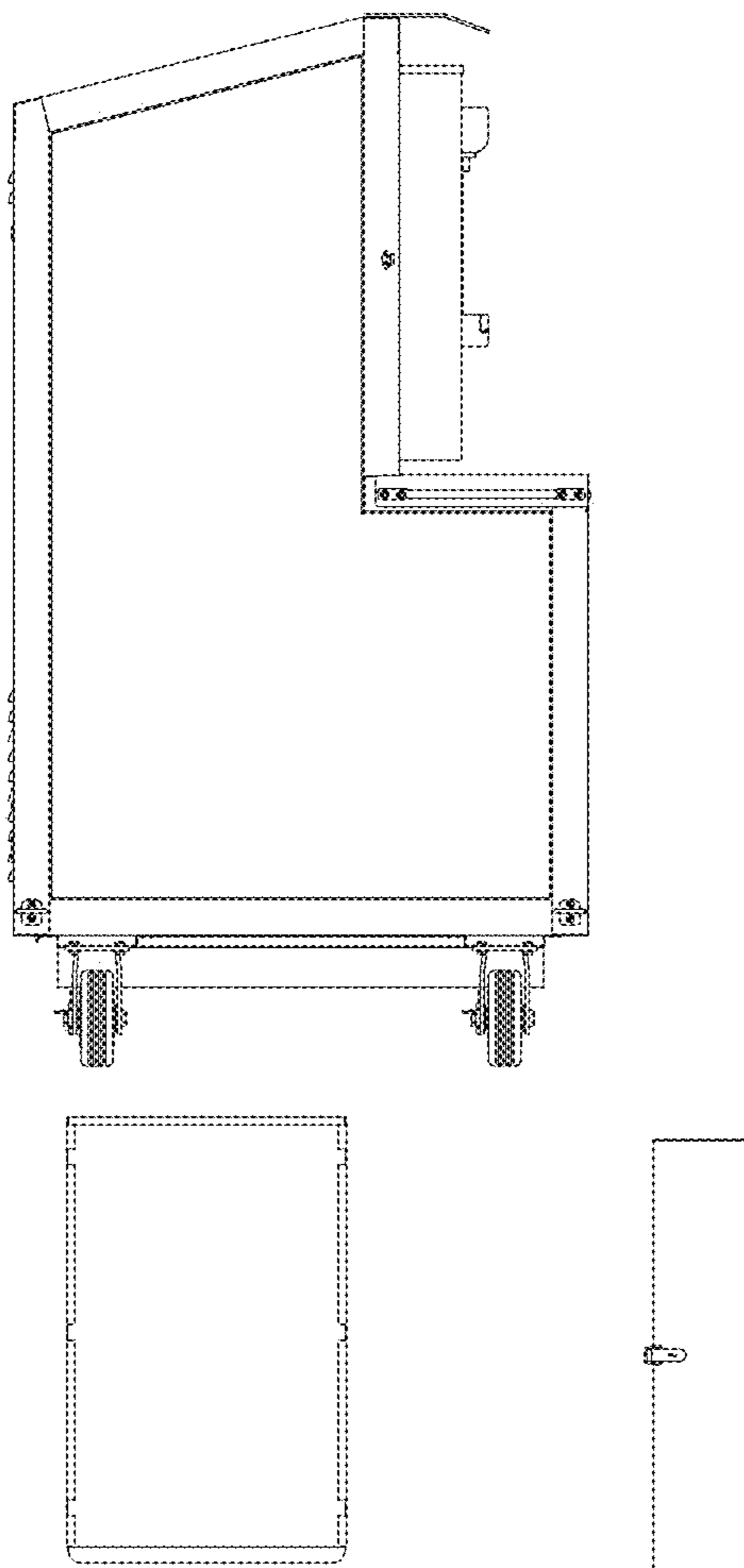


FIG. 4

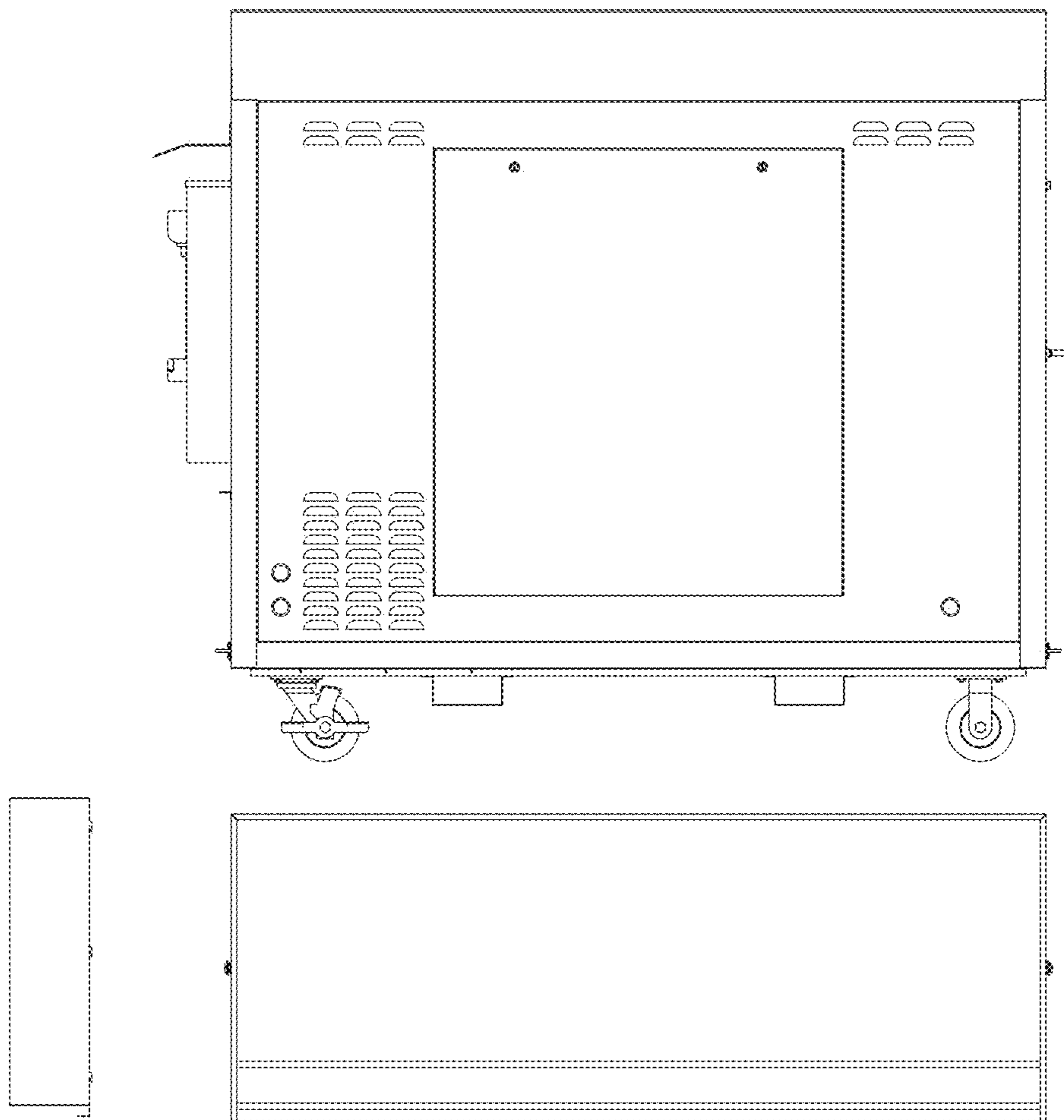


FIG. 5

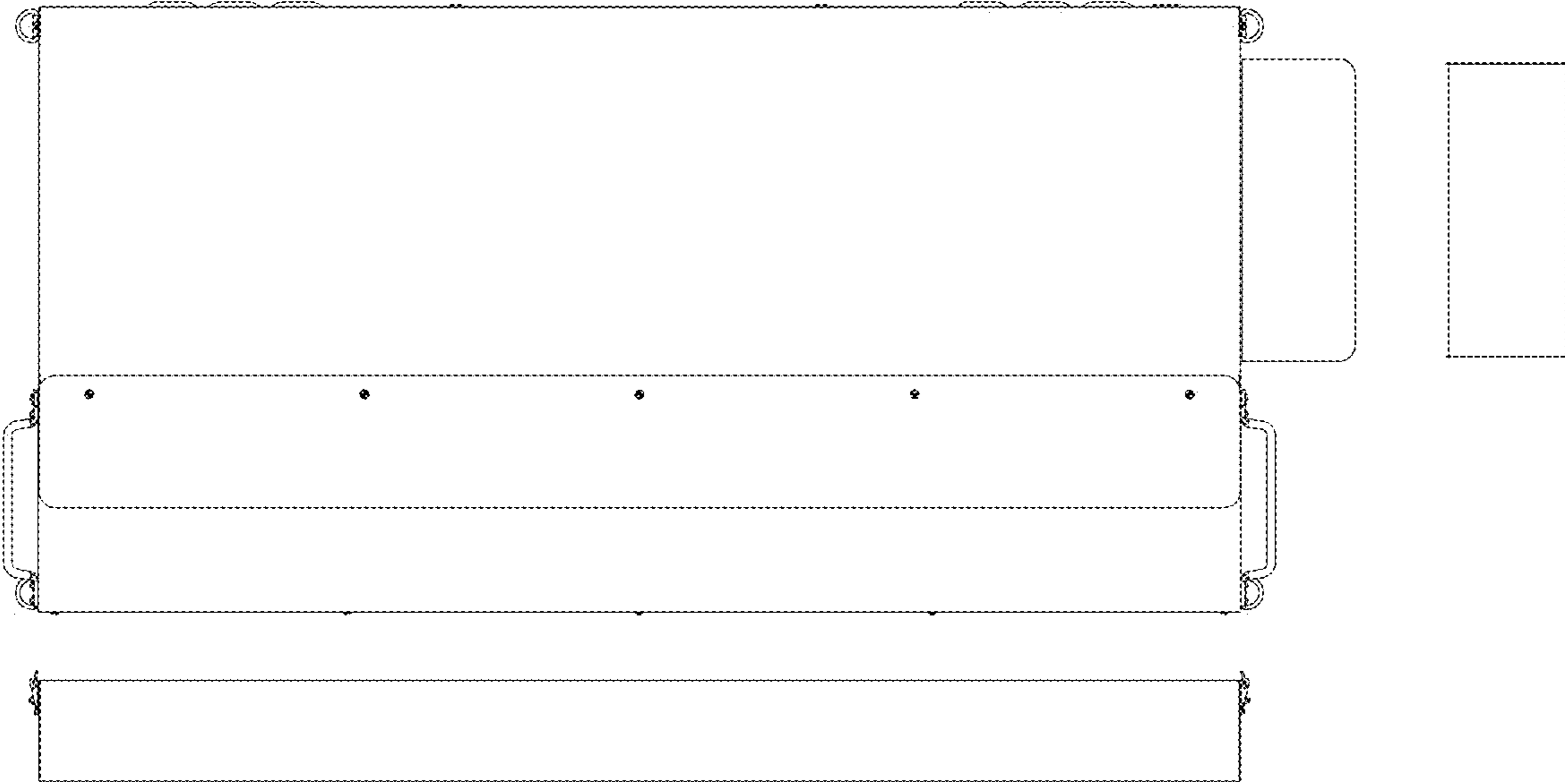


FIG. 6

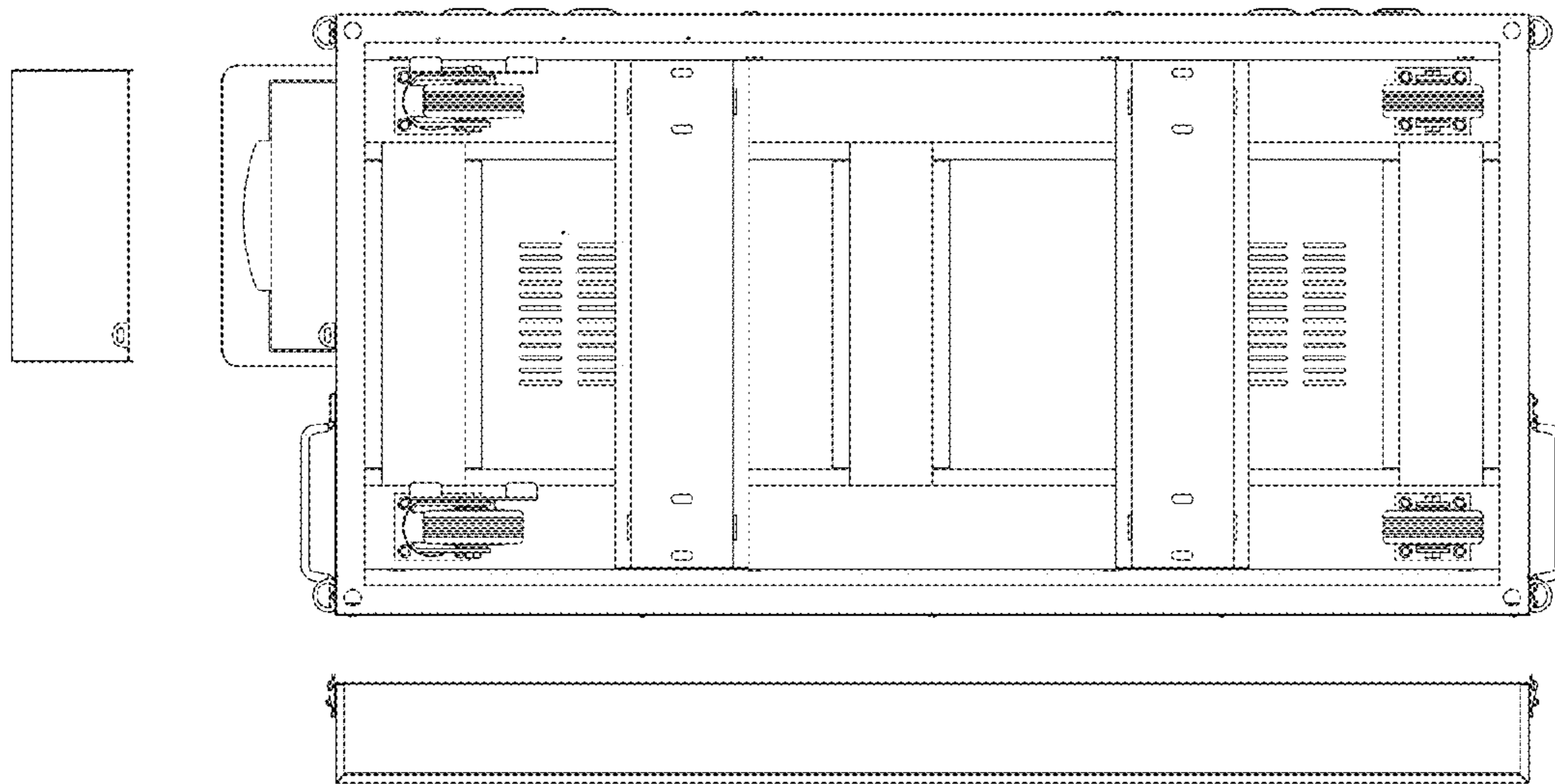


FIG. 7

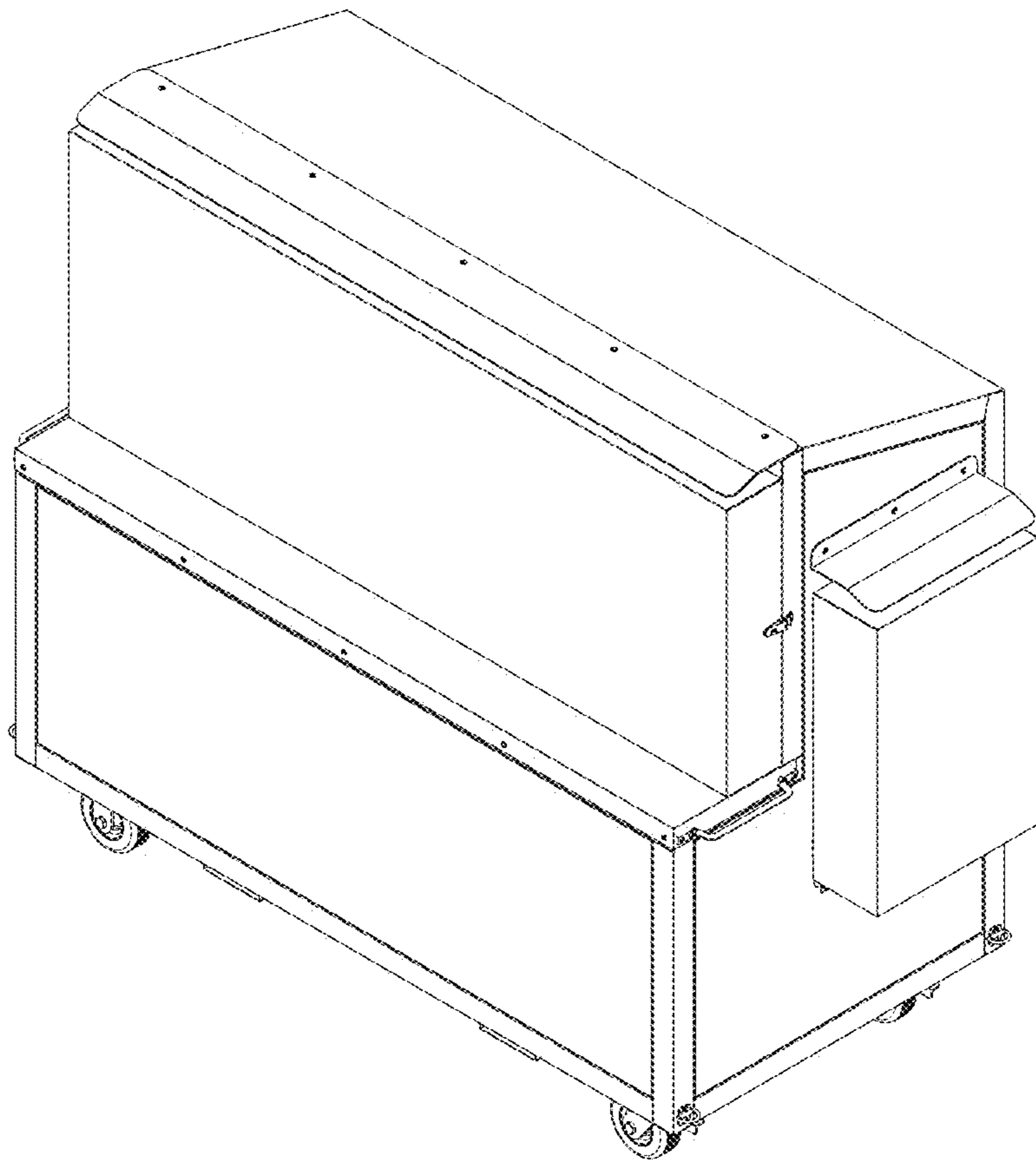


FIG. 8