



US00D908409S

(12) **United States Design Patent**
Chiang

(10) **Patent No.:** **US D908,409 S**
(45) **Date of Patent:** **** Jan. 26, 2021**

(54) **THREE TIER NECKLACE STAND**

(71) Applicant: **My Gift Enterprise LLC**, Woodinville, WA (US)

(72) Inventor: **Cliff Chiang**, Woodinville, WA (US)

(**) Term: **15 Years**

(21) Appl. No.: **29/686,920**

(22) Filed: **Apr. 9, 2019**

(51) **LOC (13) Cl.** **20-02**

(52) **U.S. Cl.**
USPC **D6/681**

(58) **Field of Classification Search**
USPC D6/672, 675, 675.5, 681, 681.1, 681.2, D6/681.3, 682, 682.5, 682.6, 520, 546, D6/548, 549; D32/58, 59
CPC A47F 5/04; A47F 7/02; A47F 7/022; A47F 5/10; A47F 5/13

See application file for complete search history.

(56) **References Cited**

U.S. PATENT DOCUMENTS

- 711,690 A * 10/1902 Zimmer et al. A47B 57/565
211/190
- 1,137,900 A * 5/1915 Reichert et al. A47F 5/02
211/163
- D156,010 S * 11/1949 Hutchings et al. D32/58
- D168,448 S * 12/1952 Hommer D6/672
- D169,058 S * 3/1953 Cohn et al. D6/681.1
- 3,204,779 A * 9/1965 Warner A47F 5/13
211/190
- D229,878 S * 1/1974 Saika et al. D6/681.1
- 3,907,119 A * 9/1975 Franz A47F 5/10
211/59.4
- D253,141 S * 10/1979 Gordon D6/681.3
- D299,805 S * 2/1989 Pifher D6/681.1
- 4,936,466 A * 6/1990 Nava A47F 7/02
206/566
- D327,173 S * 6/1992 De Leu D6/317
- D333,731 S * 3/1993 Klein D32/58

- D336,574 S * 6/1993 Rhodes D6/681.3
- D352,190 S * 11/1994 Tucker D6/681.1
- D354,863 S * 1/1995 Pope D6/681
- D358,506 S * 5/1995 Lara D12/406
- D391,706 S * 3/1998 Malcolm 211/205
- D394,762 S * 6/1998 Greiner D6/657
- 5,762,184 A * 6/1998 Greiner A47F 5/10
206/6.1
- D396,363 S * 7/1998 Skrum D6/682.2
- D397,569 S * 9/1998 Warshawsky D6/548
- D398,789 S * 9/1998 Warshawsky D6/682.6
- D419,335 S * 1/2000 Kopala, Jr. D6/672
- D456,167 S * 4/2002 Harwanko D6/548

(Continued)

OTHER PUBLICATIONS

Umbra Trigem Hanging Organizer—3 Tier Table Top Necklace Holder, https://www.amazon.com/Umbra-Trigem-Hanging-Jewelry-Organizer/dp/B010XG9TCU/ref=pd_ybh_a_8?_encoding=UTF8&refRID=6W7WR82VBDW1JDGCS48B&th=1 (Year: 2020).*

(Continued)

Primary Examiner — Steven J Czyz

(74) *Attorney, Agent, or Firm* — Dean Craine; Marisa Whitaker

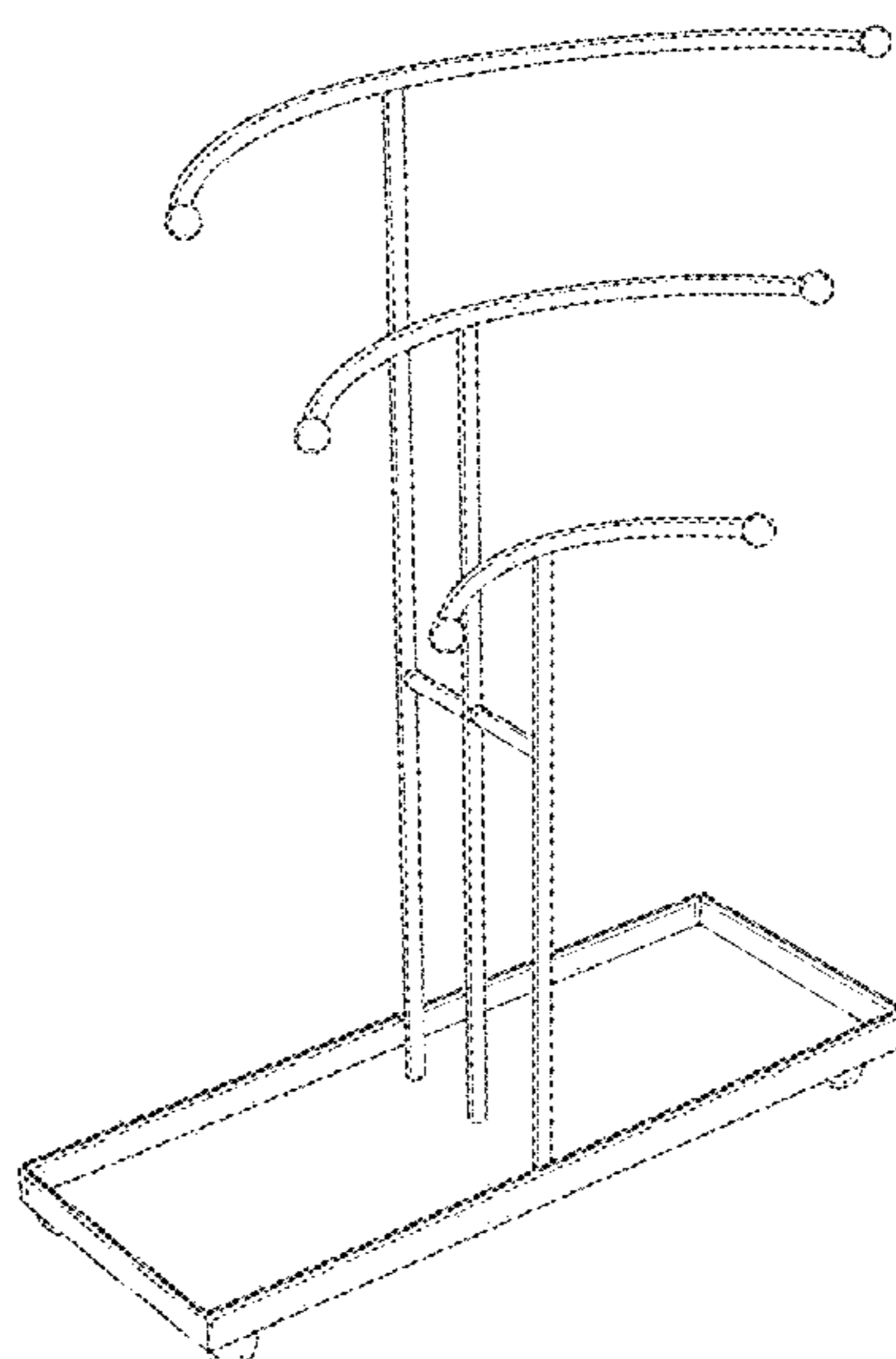
(57) **CLAIM**

The ornamental design for a three tier necklace stand, as shown and described.

DESCRIPTION

FIG. 1 is a front perspective view of a three tier necklace stand showing my new design.
FIG. 2 is a front elevational view thereof.
FIG. 3 is a rear elevational view thereof.
FIG. 4 is a top plan view thereof.
FIG. 5 is a bottom plan view thereof; and,
FIG. 6 is a left-side elevational view thereof.
FIG. 7 is a right-side elevational view thereof.

1 Claim, 7 Drawing Sheets



(56)

References Cited

U.S. PATENT DOCUMENTS

D458,770 S * 6/2002 Walter D6/681.1
 D459,106 S * 6/2002 Walter D6/681.1
 D462,538 S * 9/2002 Bonsall D6/681.1
 D465,352 S * 11/2002 Kim D6/681
 D469,975 S * 2/2003 Sparkowski D6/681.1
 6,568,546 B1 * 5/2003 Huang A47B 49/00
 211/205
 D477,733 S * 7/2003 Hoernig D6/527
 D483,975 S * 12/2003 Yang D6/549
 D486,332 S * 2/2004 Hoernig D6/520
 D487,831 S * 3/2004 Savoie D32/58
 D496,180 S * 9/2004 Abruzzo D6/681.1
 D534,012 S * 12/2006 Lee, Sr. D6/681.1
 D536,906 S * 2/2007 Robbins, III D6/681.3
 D538,066 S * 3/2007 Wagner D6/681.1
 D542,581 S * 5/2007 Goodman D6/520
 D563,694 S * 3/2008 Mitchell D6/682.6
 D574,165 S * 8/2008 Kornowski D6/681.3
 D613,965 S * 4/2010 Tertel D6/675.5
 D620,279 S * 7/2010 Lebon, III D6/681.1
 7,891,506 B2 * 2/2011 Kornowski A47F 5/04
 211/85.2
 8,020,716 B2 * 9/2011 Vitale A47F 7/00
 211/197
 D655,530 S * 3/2012 Denby D6/681.1
 D683,096 S * 5/2013 Stumpo D32/58
 D691,839 S * 10/2013 Dallenbach D6/681.1
 D692,261 S * 10/2013 Sharp D6/672
 D695,040 S * 12/2013 Longo D6/548
 D695,383 S * 12/2013 Longo D23/303
 D696,042 S * 12/2013 Starck D6/520

D735,412 S * 7/2015 Coleman D28/61
 9,107,514 B1 * 8/2015 Morieras A47F 7/02
 D762,403 S * 8/2016 Williams D6/681.1
 D790,143 S * 6/2017 Kelly D32/58
 D790,144 S * 6/2017 Kelly D32/58
 D801,087 S * 10/2017 McLoud D6/675
 D806,454 S * 1/2018 Phillippi D6/681.1
 D820,621 S * 6/2018 Dennison D6/681.3
 10,092,116 B1 * 10/2018 Johns A47F 7/022
 D848,187 S * 5/2019 Lee D6/681.1
 D850,828 S * 6/2019 Tingvall D6/681.1
 D868,513 S * 12/2019 Chiang D6/681.1
 D884,398 S * 5/2020 Lai D6/681.1
 D888,473 S * 6/2020 Li D6/682.6
 D888,474 S * 6/2020 Li D6/682.6

OTHER PUBLICATIONS

MyGift Curved 3-Tier T-Bar Display Necklace Hanger Stand with Ring Tray, https://www.amazon.com/dp/B07DP9M8KV/ref=sspa_dk_detail_2?pd_rd_i=B07DP9M8KV&pd_rd_w=w9iRt&pf_rd_p=f0355a48-7e73-489a-9590-564e12837b93&pd_rd_wg=ROmlp&pf_rd_r=9PQBxD1FXK7ABDZ74FFQ&pd_rd_r=3c9f0c41-f2 (Year: 2020).*

https://www.amazon.com/dp/B07VBH25YW/ref=sspa_dk_detail_1?pd_rd_i=B07VBH25YW&pd_rd_w=w9iRt&pf_rd_p=f0355a48-7e73-489a-9590-564e12837b93&pd_rd_wg=ROmlp&pf_rd_r=9PQBxD1FXK7ABDZ74FFQ&pd_rd_r=3c9f0c41-f238-41b3-b906-5ae7d0e444f8&spLa=ZW5jenlwdGVkUXVhbGhmaWVyPUEzNU9KQUVOS0tLNkZFJmVuY3J5cH (Year: 2020).*

* cited by examiner

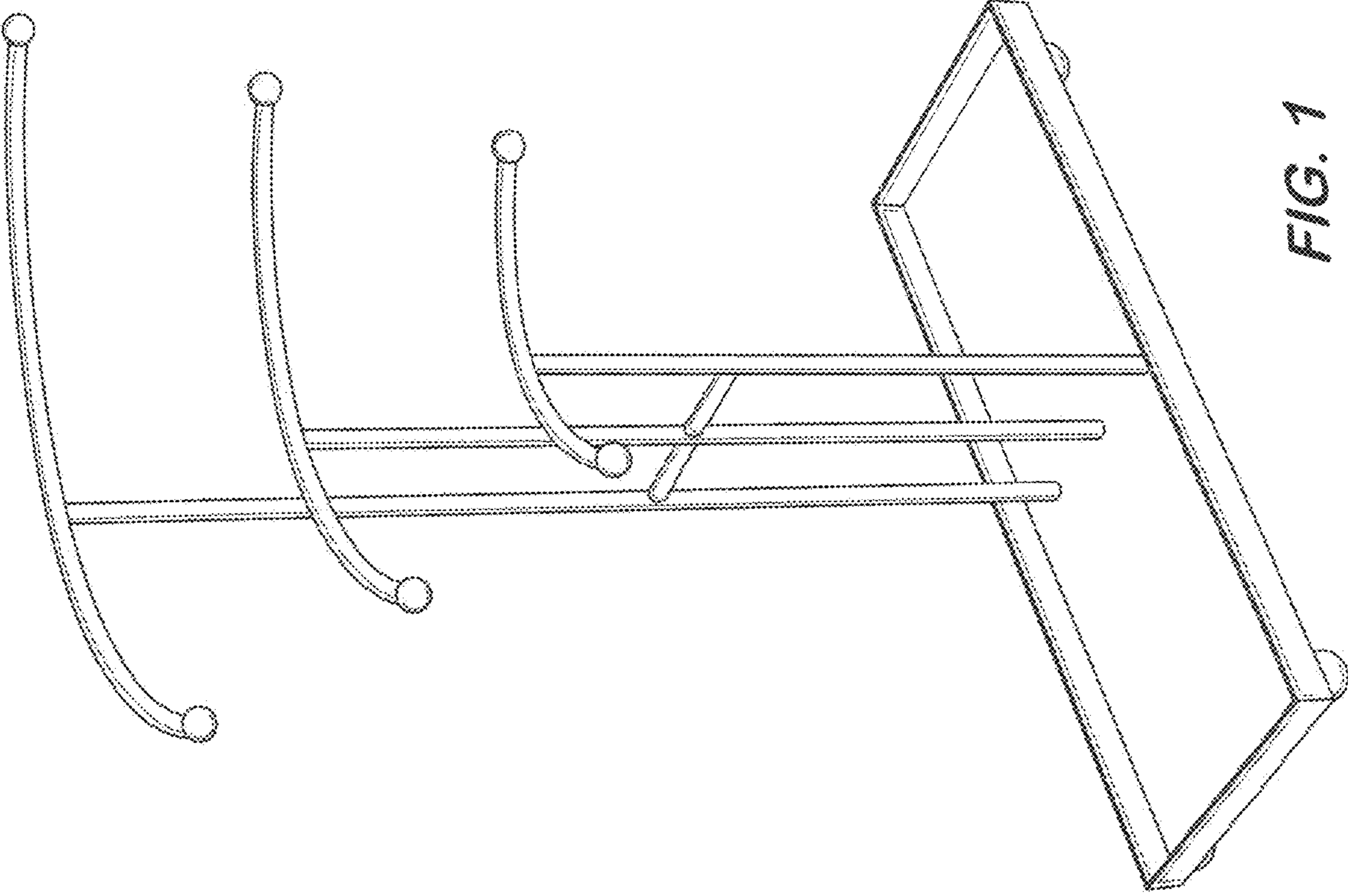


FIG. 1

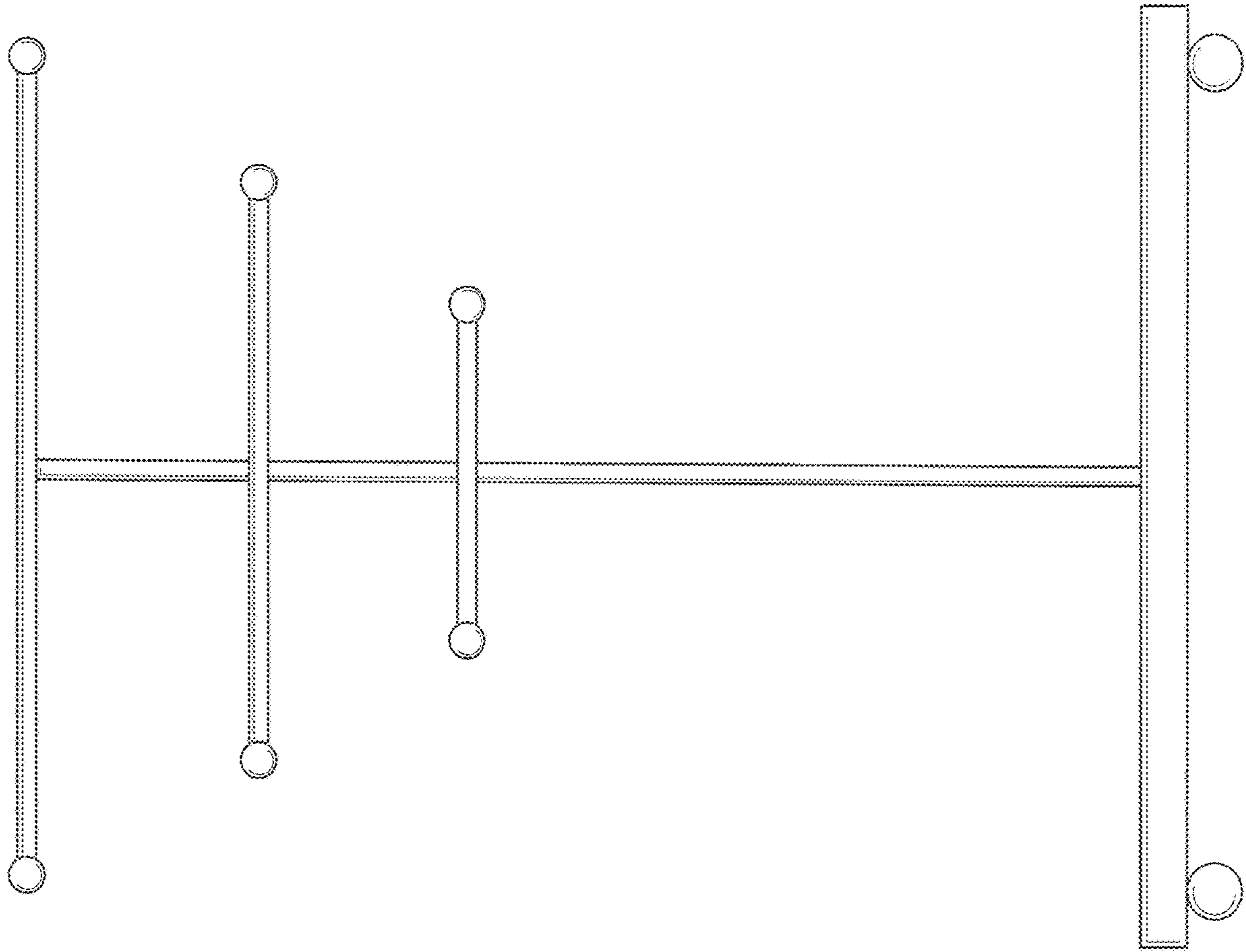


FIG. 2

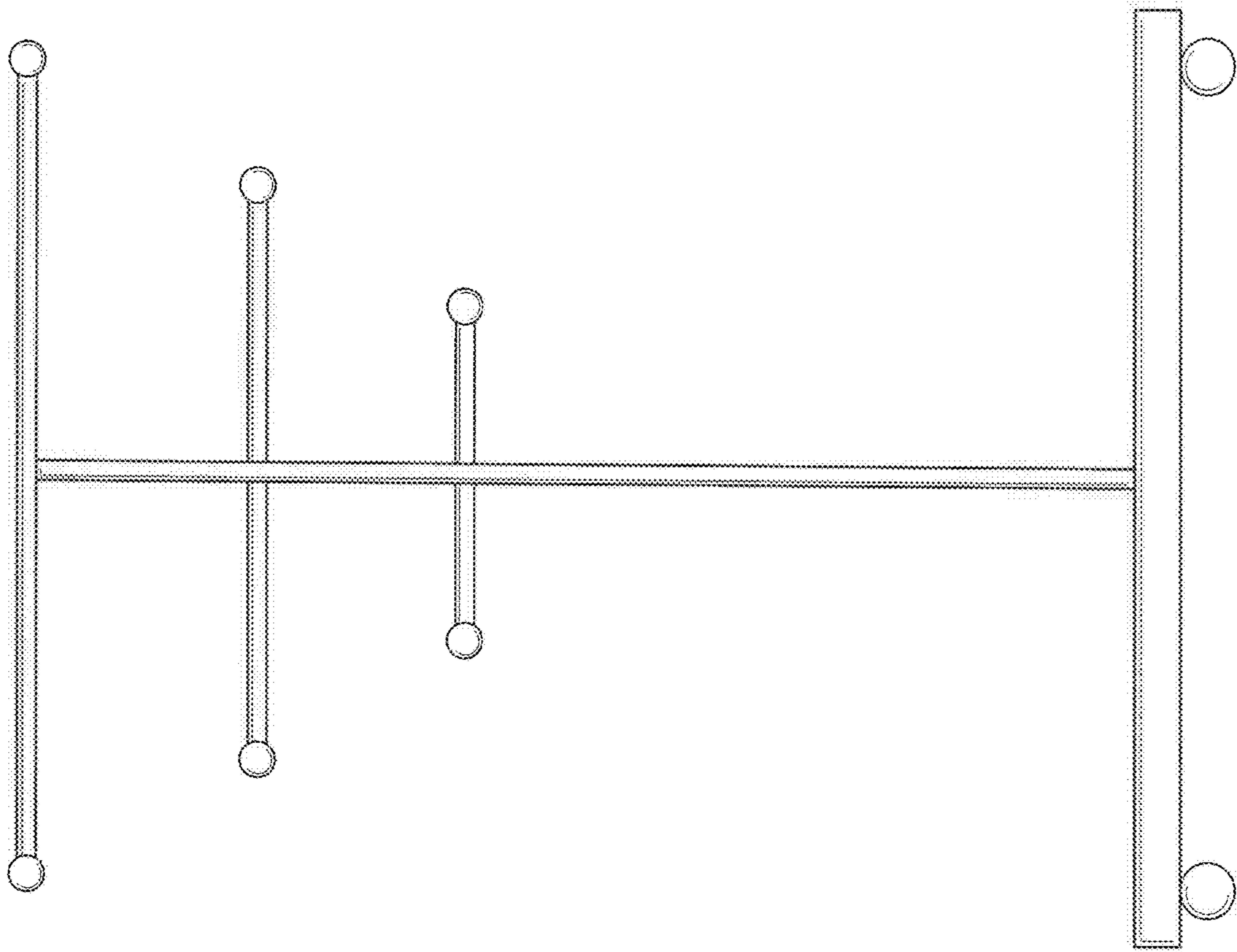


FIG. 3

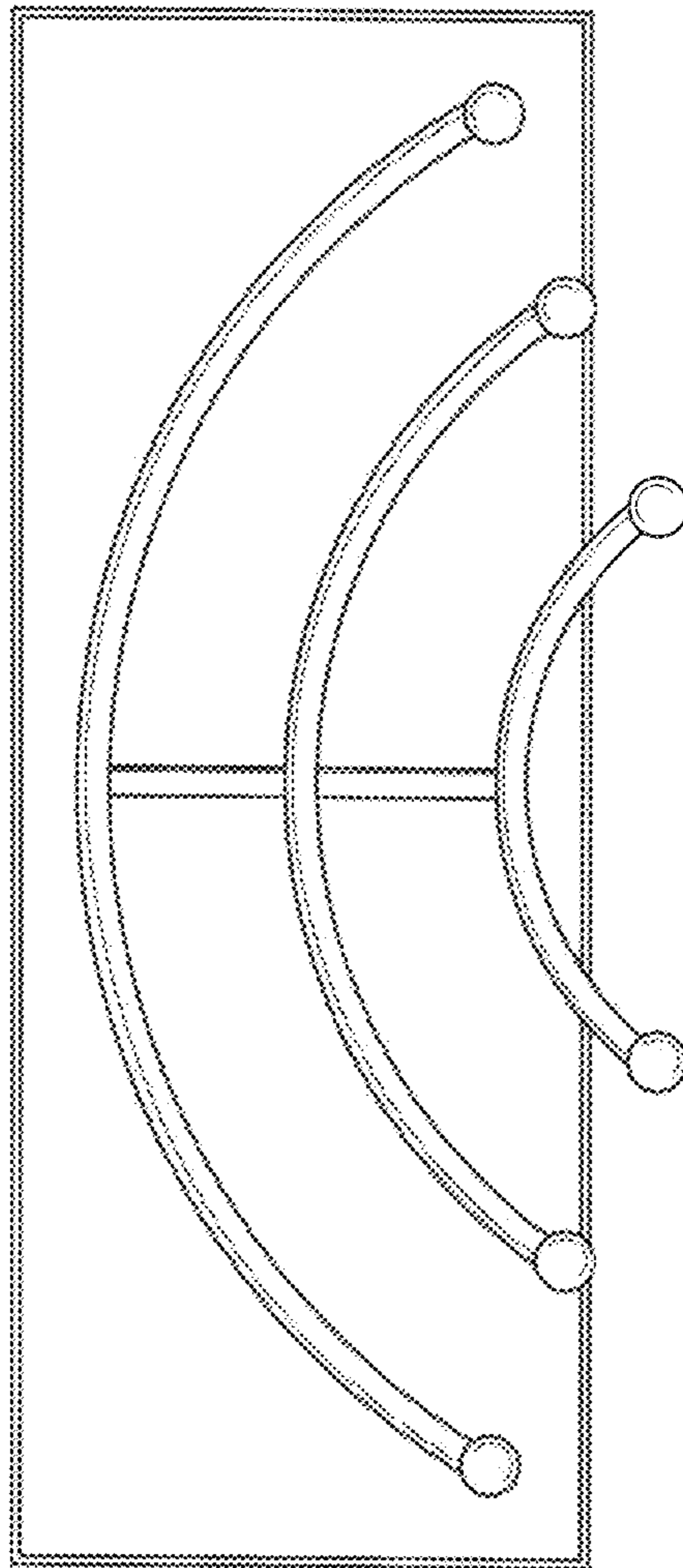


FIG. 4

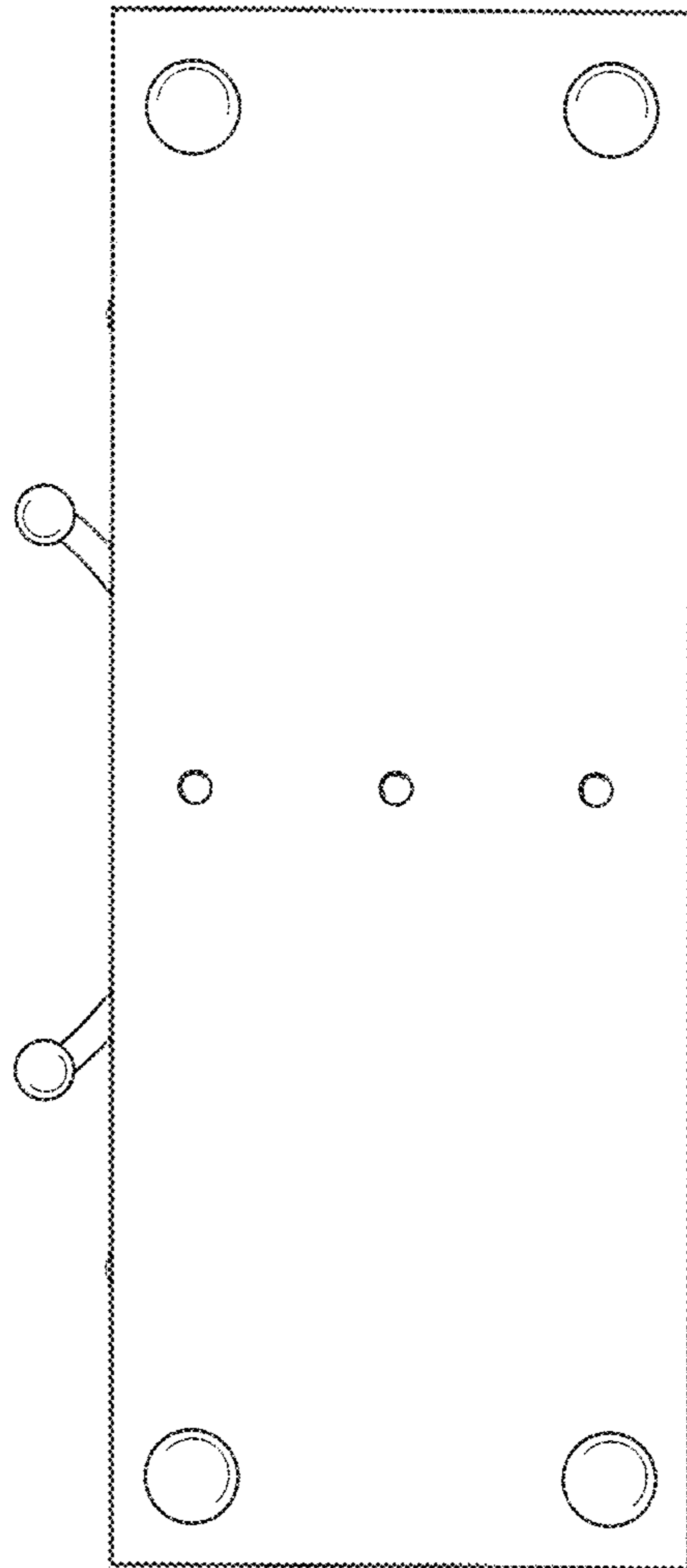


FIG. 5

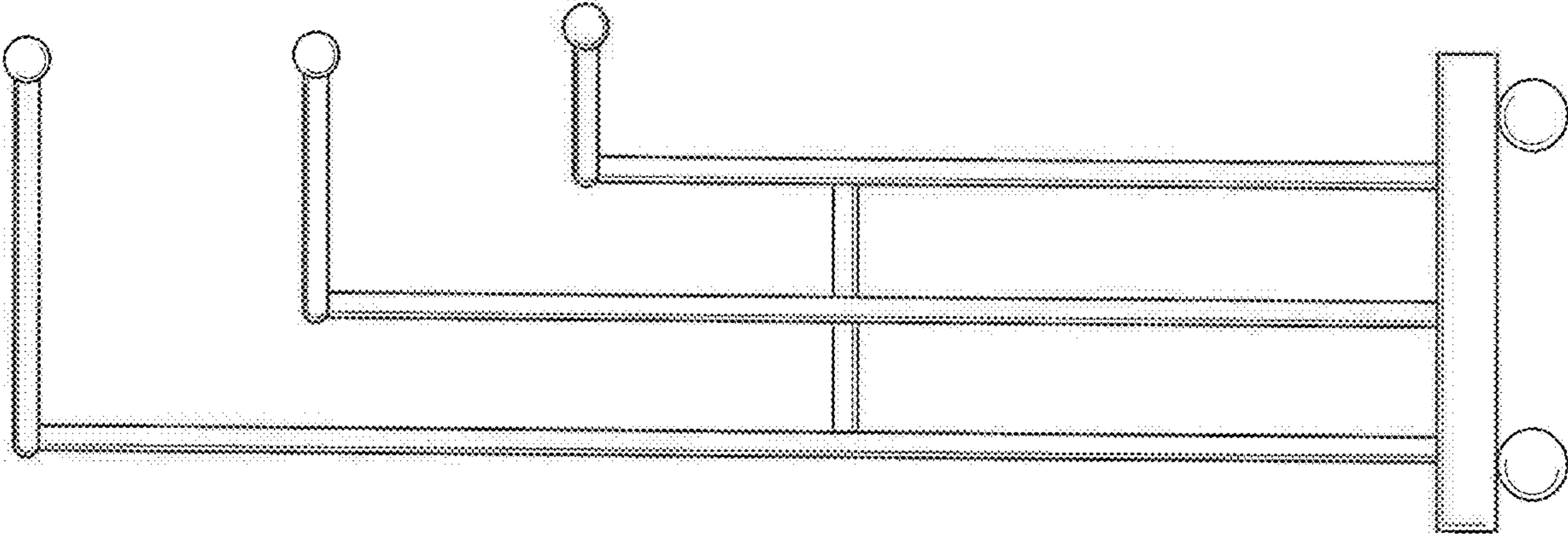


FIG. 6

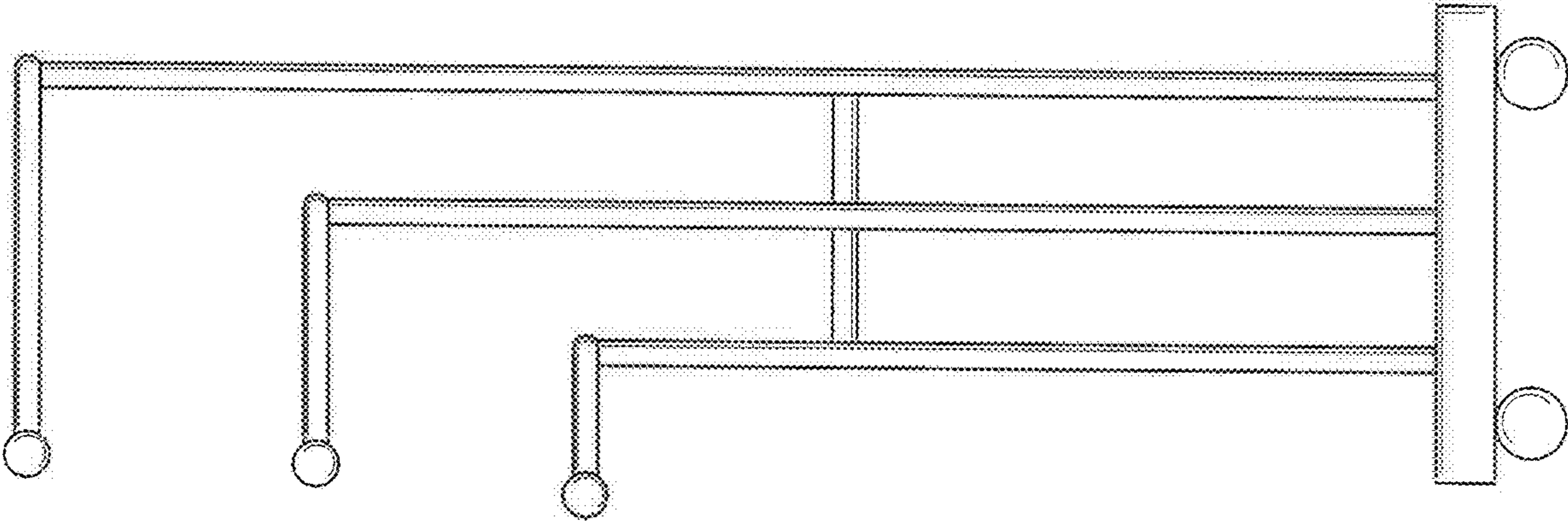


FIG. 7