



US00D908407S

(12) **United States Design Patent**  
**Joseph**

(10) **Patent No.:** **US D908,407 S**

(45) **Date of Patent:** **\*\* Jan. 26, 2021**

(54) **EXPANDABLE SHELF ORGANIZER**

(71) Applicant: **JOSEPH JOSEPH, LTD.**, London  
(GB)

(72) Inventor: **Antony Joseph**, London (GB)

(73) Assignee: **JOSEPH JOSEPH, LTD.**, London  
(GB)

(\*\*) Term: **15 Years**

(21) Appl. No.: **29/699,095**

(22) Filed: **Jul. 23, 2019**

(30) **Foreign Application Priority Data**

Jan. 23, 2019 (EM) ..... 006082186-0003

(51) **LOC (13) Cl.** ..... **06-04**

(52) **U.S. Cl.**  
USPC ..... **D6/678.2; D6/675.3**

(58) **Field of Classification Search**  
USPC ..... D6/657, 662, 662.1, 663, 668, 668.1,  
D6/668.2, 671, 671.1, 671.2, 671.4, 672,  
D6/675, 675.3, 678.2, 682, 682.1;  
D7/600.4

CPC ..... A47B 67/00; A47B 67/04; A47B 45/00;  
A47F 7/00; A47F 7/0071; A47F 7/02;  
A47F 7/022

See application file for complete search history.

(56) **References Cited**

**U.S. PATENT DOCUMENTS**

D148,607 S \* 2/1948 Broadbent ..... D6/678.2  
2,528,838 A \* 11/1950 Martino ..... A47F 7/02  
108/101  
4,025,137 A \* 5/1977 Wyler ..... A47B 45/00  
312/114

D286,835 S \* 11/1986 Marsh ..... D6/675.3  
D300,489 S \* 4/1989 Antonellis ..... D6/678.2  
D505,575 S \* 5/2005 Goth ..... D6/678.2  
D507,432 S \* 7/2005 Goth ..... A47B 45/00  
D6/678.2  
D508,350 S \* 8/2005 Higuchi ..... A47F 7/00  
D6/678.2  
D508,623 S \* 8/2005 Langford ..... D6/678.2  
D802,370 S \* 11/2017 Tsai ..... D7/600.4  
D885,092 S \* 5/2020 Greenwood ..... D6/675.3  
2004/0217071 A1 \* 11/2004 Langford ..... A47F 7/00  
211/13.1

\* cited by examiner

*Primary Examiner* — Cathron C Brooks

(74) *Attorney, Agent, or Firm* — Millen, White, Zelano &  
Branigan, PC; Ryan Pool

(57) **CLAIM**

The ornamental design for an expandable shelf organizer, as shown and described.

**DESCRIPTION**

FIG. 1 is a perspective view of the expandable shelf organizer showing my new design.

FIG. 2 is a front view thereof.

FIG. 3 is a back view thereof.

FIG. 4 is a top view thereof.

FIG. 5 is bottom side view thereof.

FIG. 6 is a side view thereof.

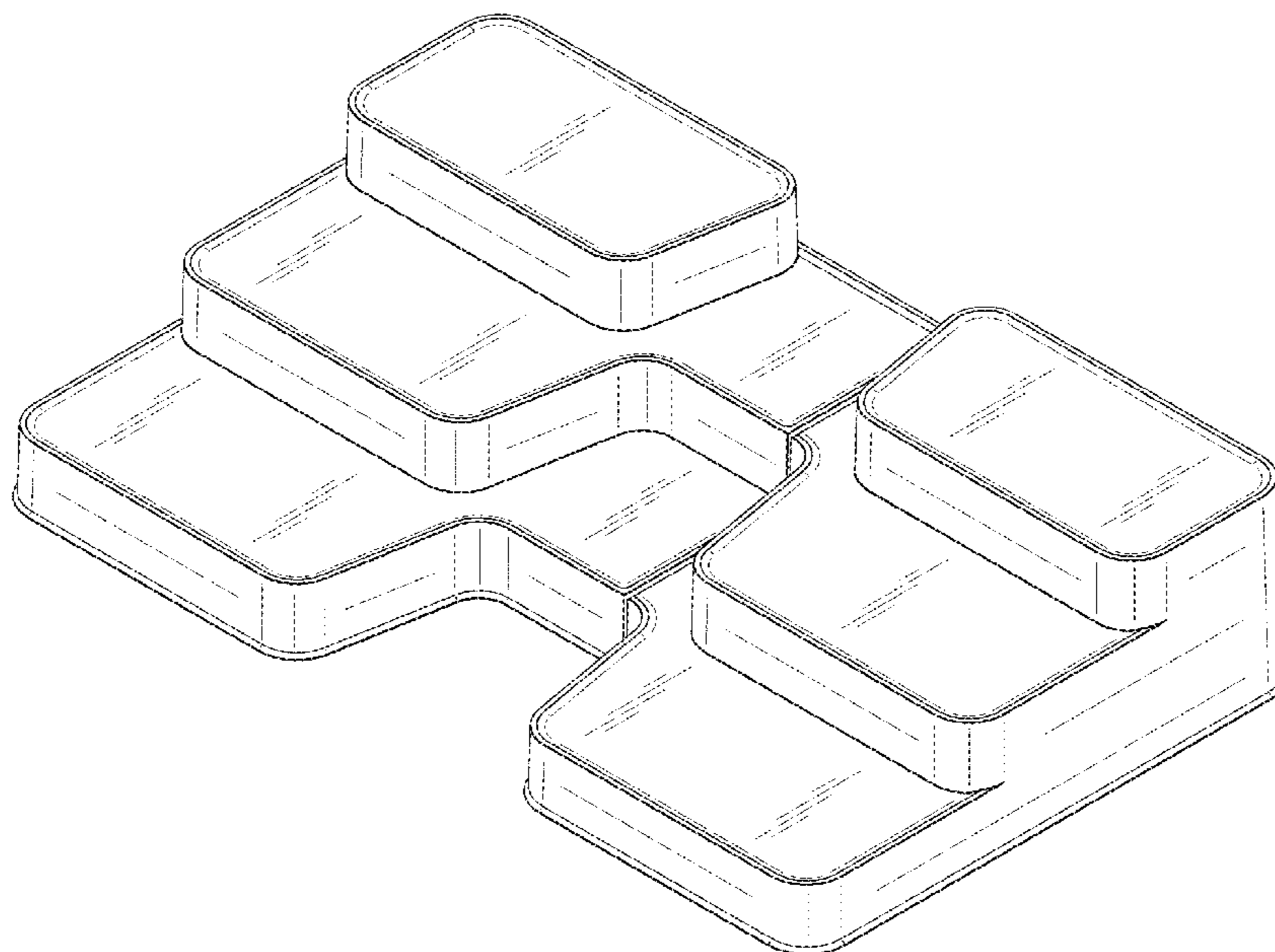
FIG. 7 is another side view thereof.

FIG. 8 is a perspective view of the expandable shelf organizer in an extended configuration; and,

FIG. 9 is a perspective view of the expandable shelf organizer in a disconnected configuration.

The broken lines in the drawings illustrate portions of the expandable shelf organizer which form no part of the claimed design.

**1 Claim, 9 Drawing Sheets**



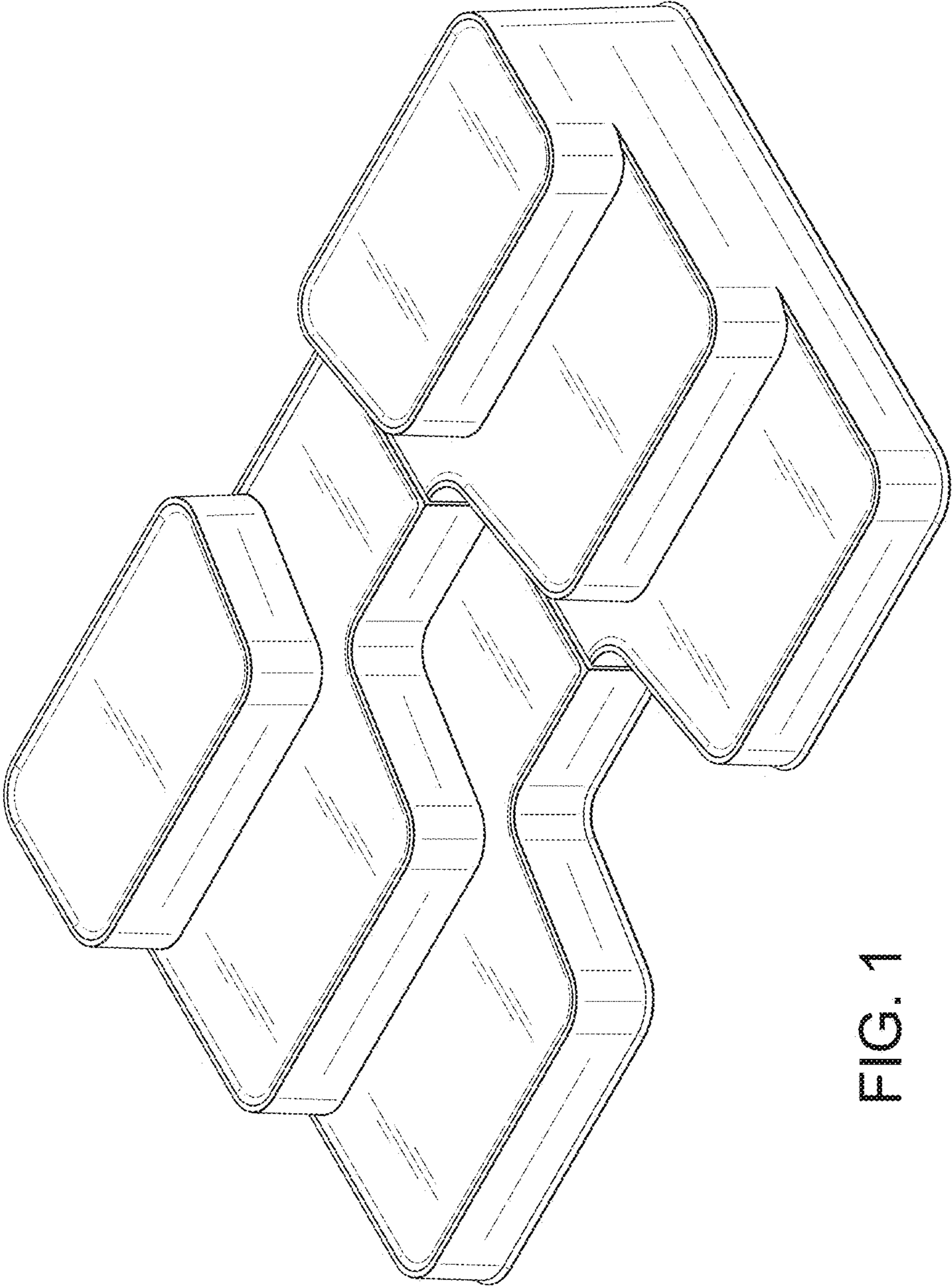


FIG. 1

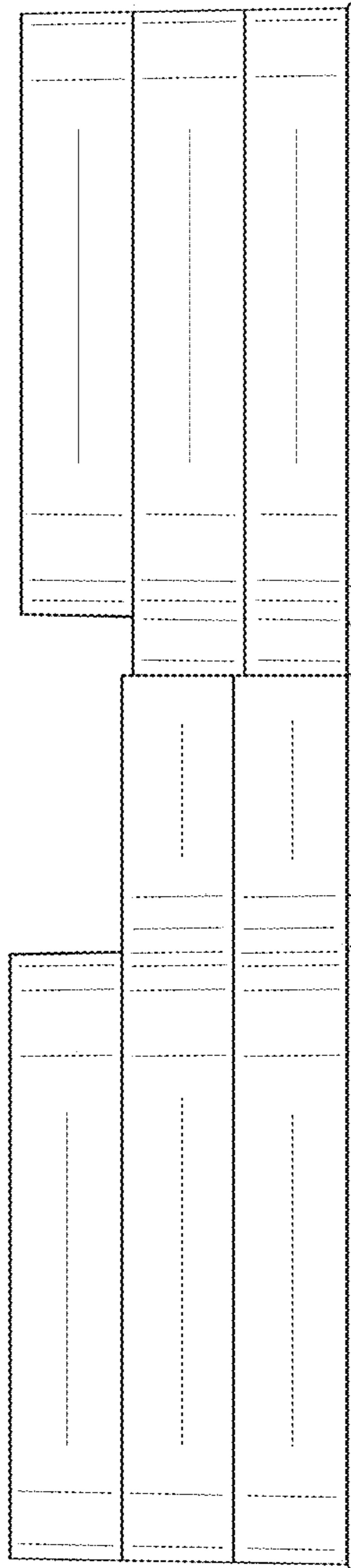


FIG. 2

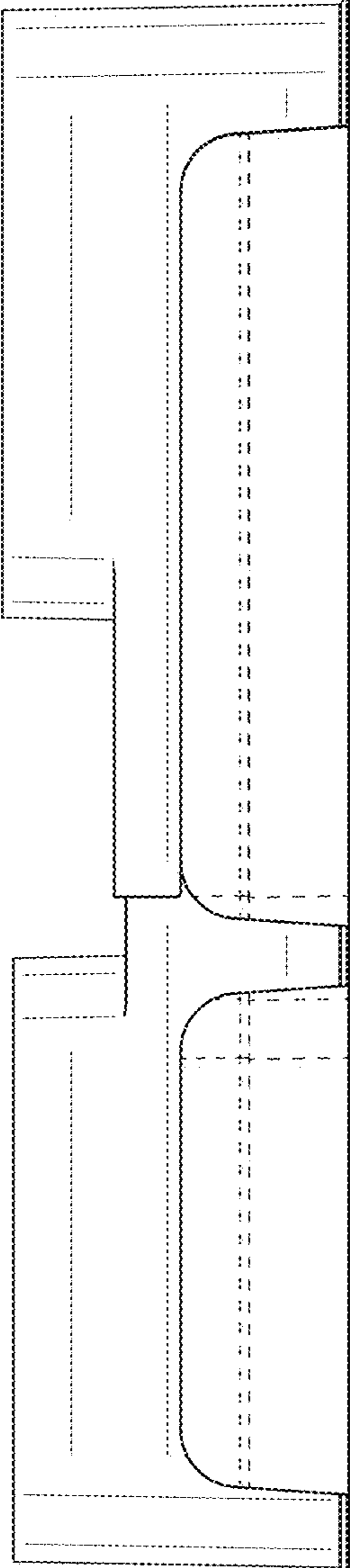


FIG. 3

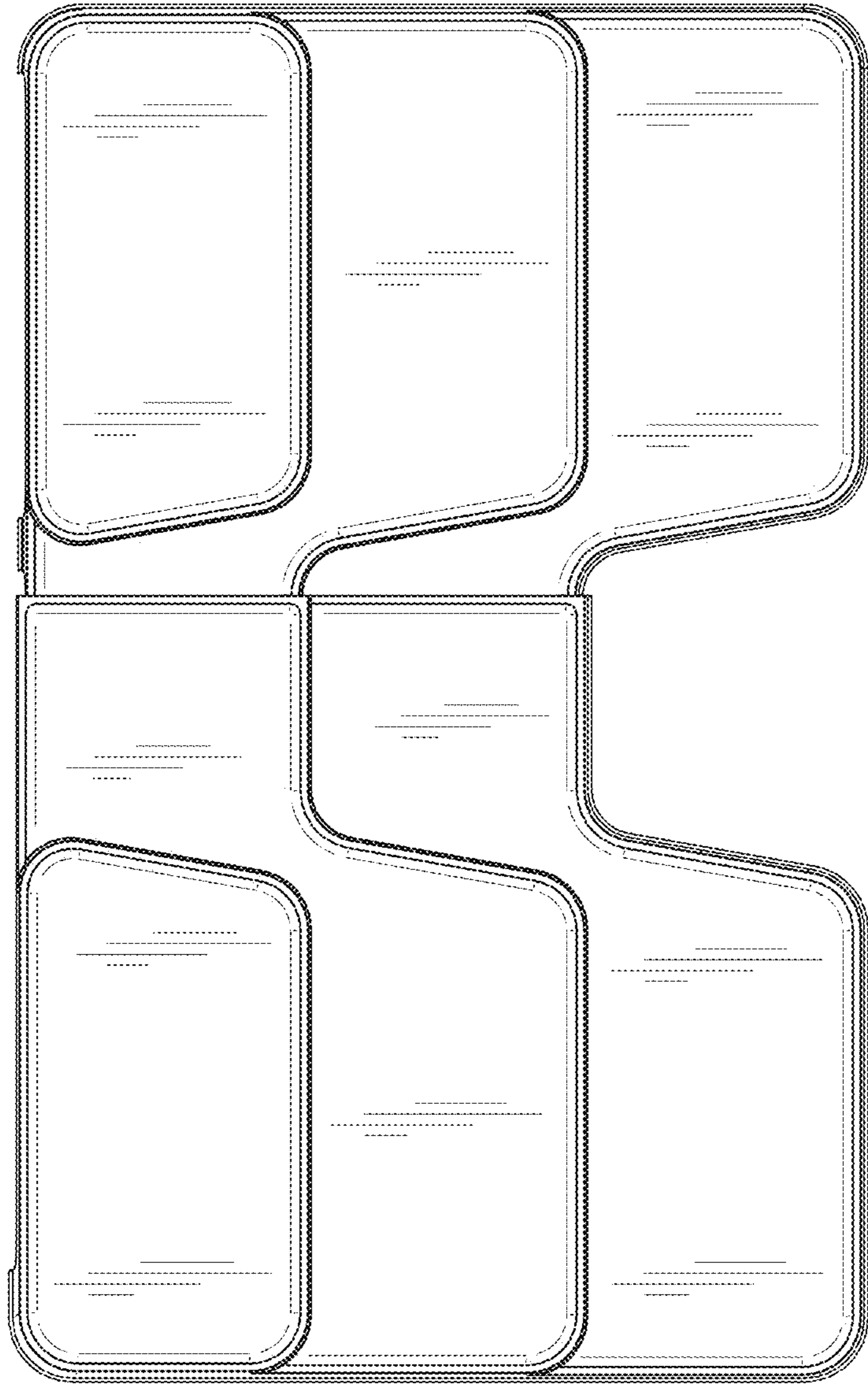


FIG. 4

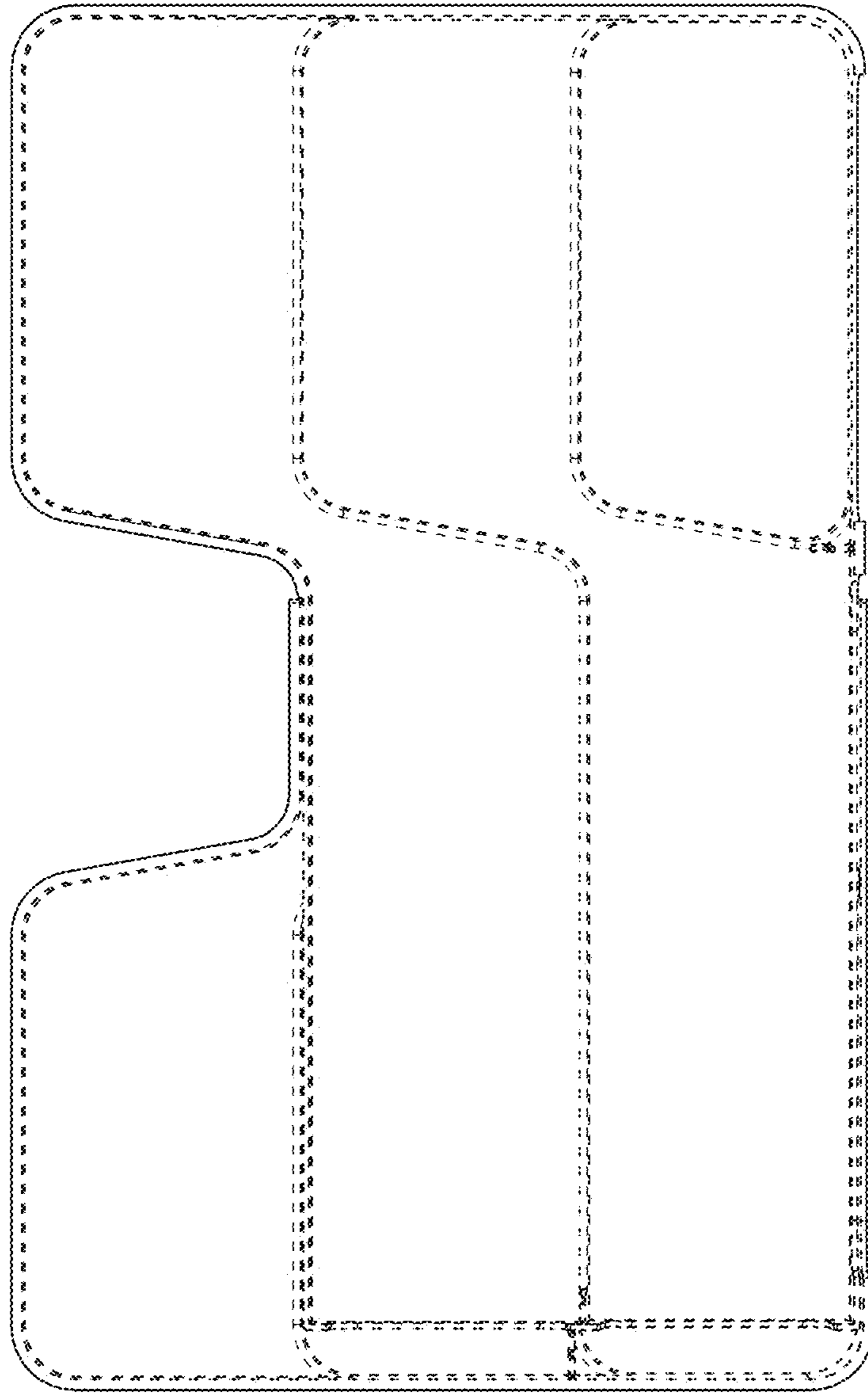


FIG. 5

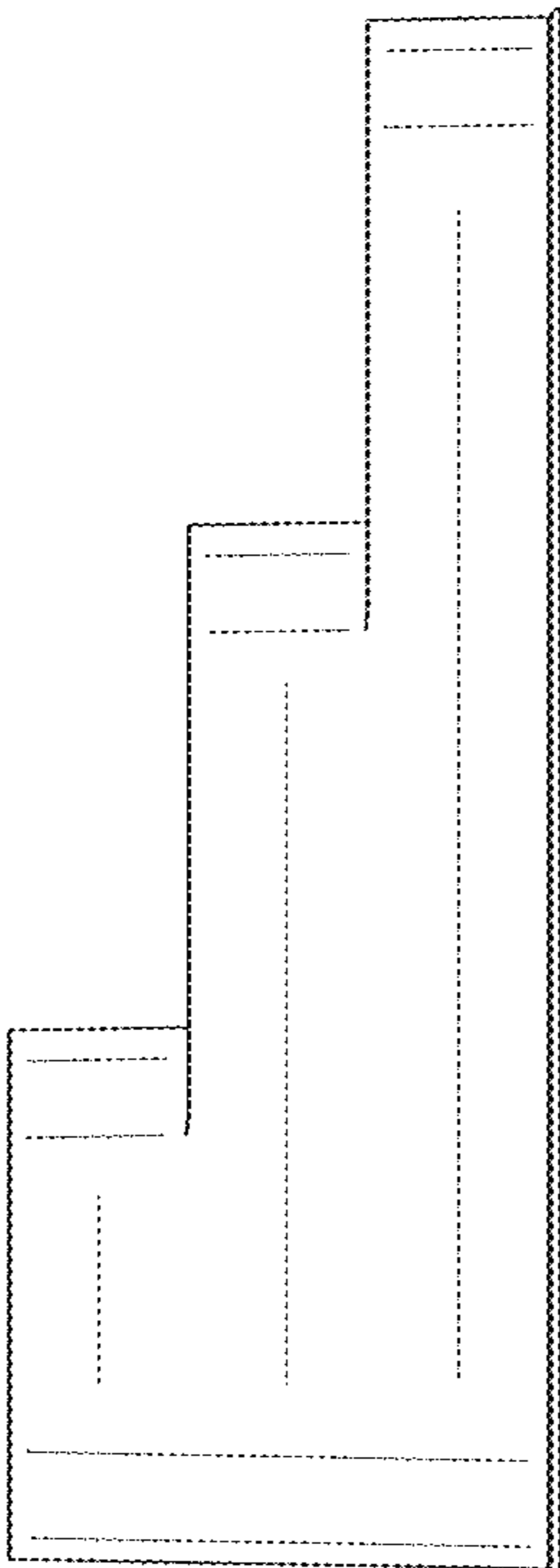


FIG. 6

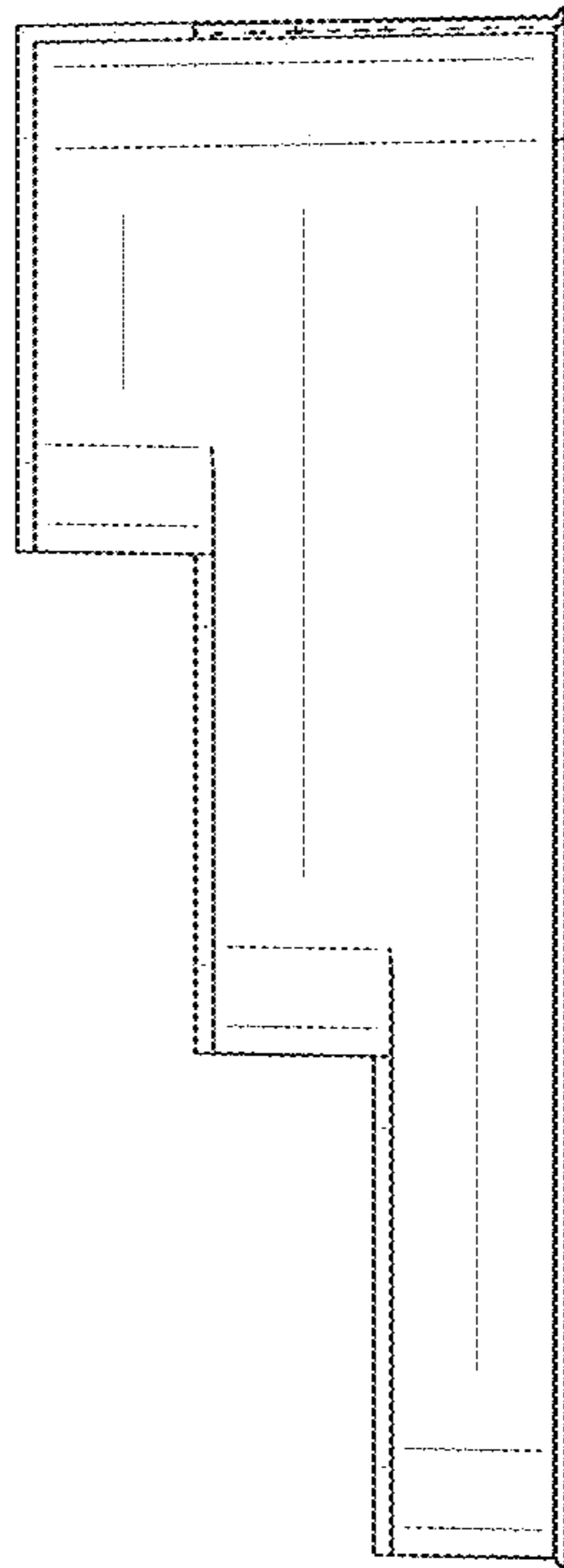


FIG. 7



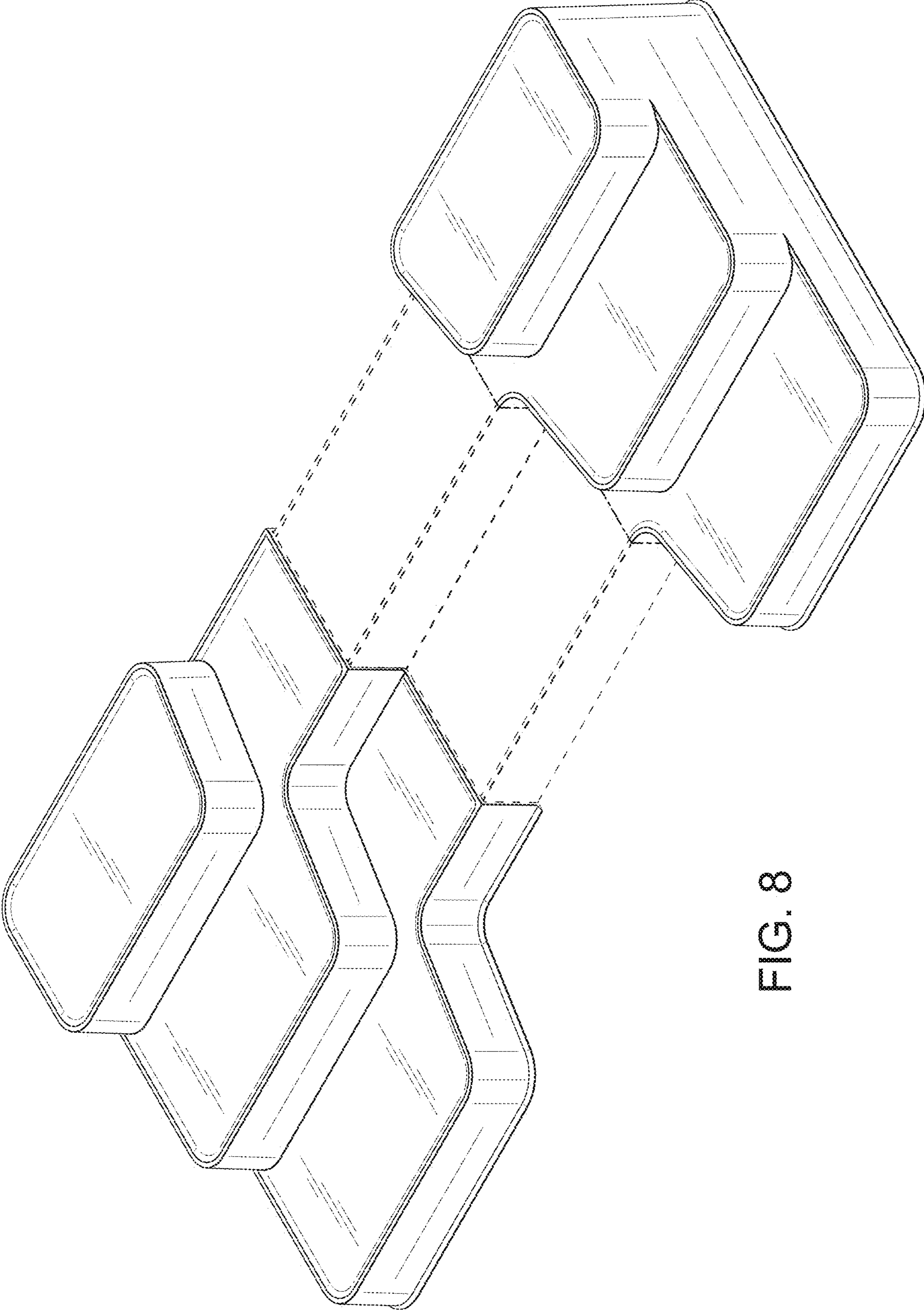


FIG. 8

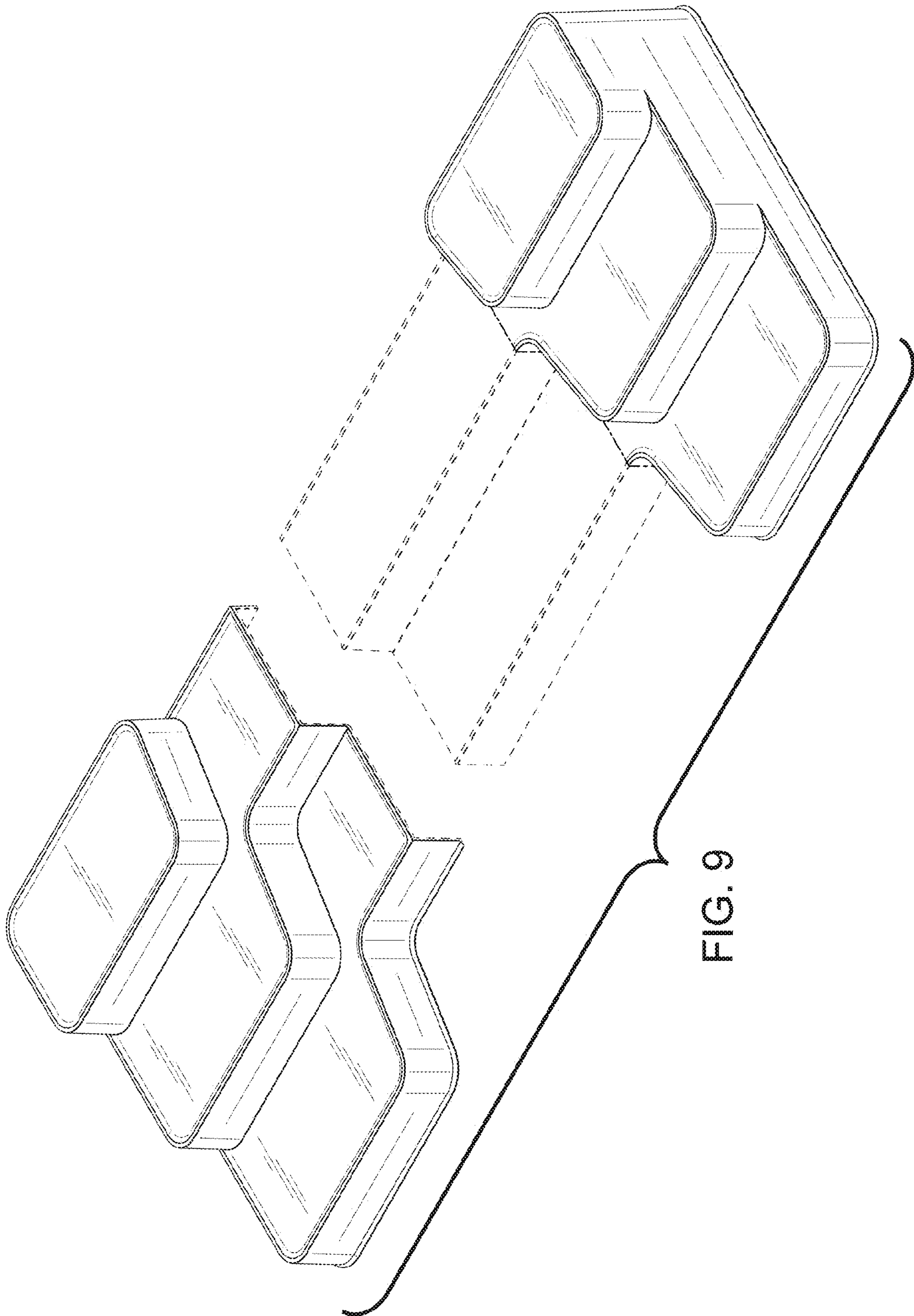


FIG. 9