



US00D908405S

(12) **United States Design Patent** (10) **Patent No.:** **US D908,405 S**
Davis et al. (45) **Date of Patent:** **** Jan. 26, 2021**

(54) **CONSOLE**
(71) Applicant: **WALKER EDISON FURNITURE COMPANY LLC**, Salt Lake City, UT (US)

1,475,088 A 11/1923 Specht et al.
D64,390 S 4/1924 Arons
D64,922 S 6/1924 Naill
D66,028 S 11/1924 Lyons et al.
(Continued)

(72) Inventors: **Matthew Davis**, Millcreek, UT (US);
Brad Bonham, Draper, UT (US);
Richard A. Packer, Kaysville, UT (US); **Tiffany Duhadway**, Salt Lake City, UT (US)

FOREIGN PATENT DOCUMENTS

CN 304163895 9/2017
CN 304770575 8/2018
(Continued)

(73) Assignee: **WALKER EDISON FURNITURE COMPANY LLC**, West Jordan, UT (US)

OTHER PUBLICATIONS

White Eliza TV Stand With Fireplace Insert, Owens Home Furnishings, site visited Aug. 25, 2020, available online at <https://www.owensfurniture.com/eliza-white-barn-door-tv-stand-70/> (Year: 2020).*
(Continued)

(**) Term: **15 Years**

Primary Examiner — Cathron C Brooks
(74) *Attorney, Agent, or Firm* — Workman Nydegger

(21) Appl. No.: **29/698,947**

(22) Filed: **Jul. 22, 2019**

(57) **CLAIM**

(51) **LOC (13) Cl.** **06-04**
(52) **U.S. Cl.**
USPC **D6/661**

The ornamental design for a console, as shown and described.

(58) **Field of Classification Search**
USPC D6/657, 659, 660, 661, 662, 662.1, 671; D23/343
CPC . A47B 67/00; A47B 67/04; A47B 2220/0072; A47B 2220/01; A47B 85/00; F24B 1/198
See application file for complete search history.

DESCRIPTION

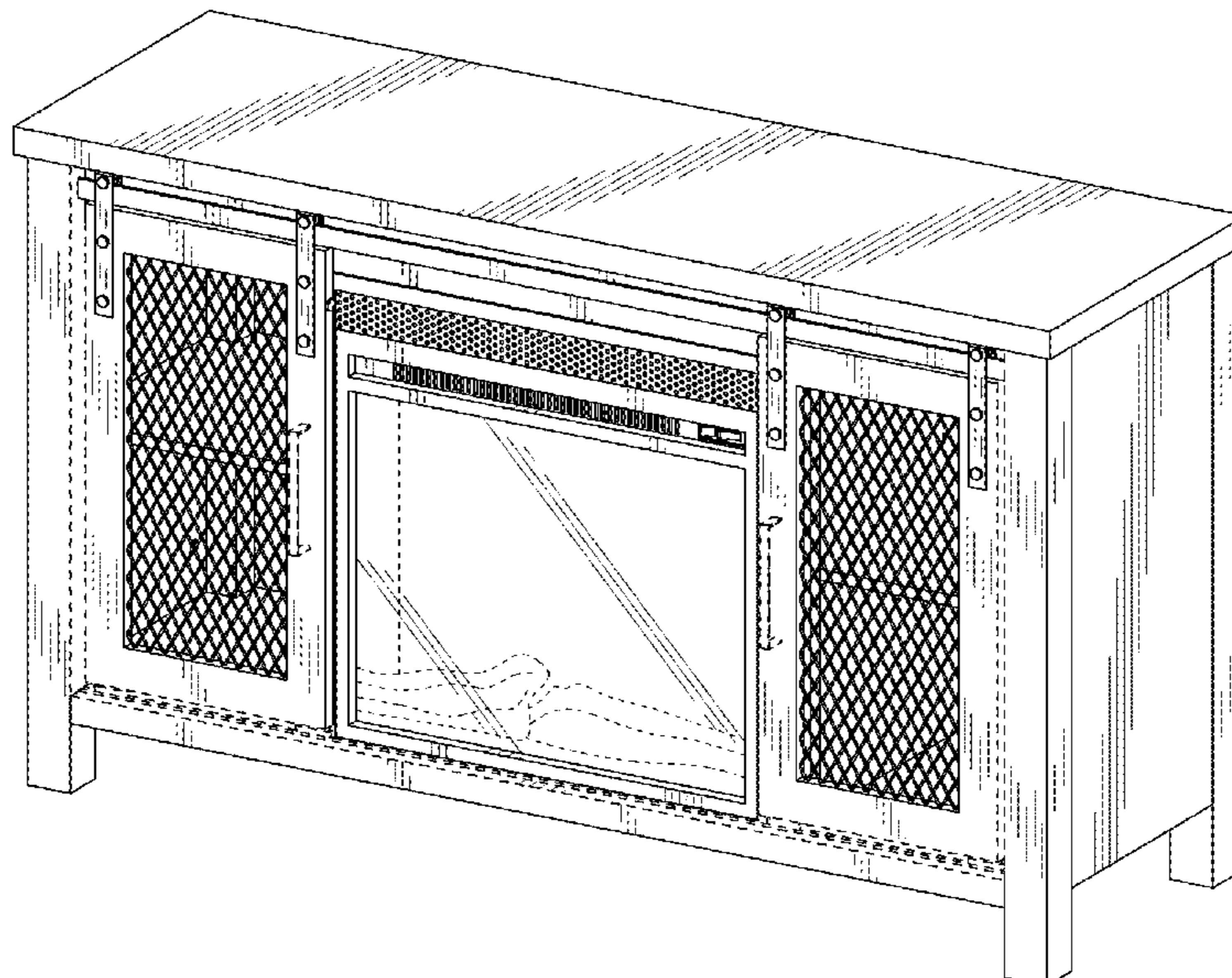
FIG. 1 is a front perspective view of a console showing the new design;
FIG. 2 is a front elevation view thereof;
FIG. 3 is another front elevation view thereof with the sliding doors slid to the center of the console;
FIG. 4 is a back elevation view thereof;
FIG. 5 is a top plan view thereof;
FIG. 6 is a bottom plan view thereof;
FIG. 7 is a right elevation view thereof; and,
FIG. 8 is a left elevation view thereof.
The broken lines in the drawings are for the purpose of illustrating portions of the article that form no part of the claimed design.

(56) **References Cited**

U.S. PATENT DOCUMENTS

245,925 A 8/1881 Kinsley
309,799 A 12/1884 Poulson
887,168 A 5/1908 Will
1,097,697 A 5/1914 Weston
D47,441 S 6/1915 Ullin
D47,600 S 7/1915 Koch
D61,344 S 8/1922 Mayer

1 Claim, 4 Drawing Sheets



(56)

References Cited

U.S. PATENT DOCUMENTS

| | | | | | |
|-------------|---------|------------------|--------------|---------|---------------|
| D66,889 S | 3/1925 | Schleicher | D336,184 S | 6/1993 | Borgen |
| 1,538,393 A | 5/1925 | Martin | D336,392 S | 6/1993 | Whalen |
| D68,065 S | 8/1925 | Schleicher | D347,754 S | 6/1994 | Mehlin |
| D68,659 S | 11/1925 | Smith | D348,576 S | 7/1994 | Narramore |
| D78,127 S | 3/1929 | Schleicher | D348,726 S | 7/1994 | Wilson |
| D103,250 S | 2/1937 | Parrish | D353,960 S | 1/1995 | Barfield |
| D120,370 S | 5/1940 | Bach | 5,409,122 A | 4/1995 | Lazarus |
| 2,207,307 A | 7/1940 | Teller | 5,452,812 A | 9/1995 | Niequist |
| D165,241 S | 11/1951 | Porter | D363,176 S | 10/1995 | Berry |
| D166,077 S | 3/1952 | Haas | D363,841 S | 11/1995 | Nourse |
| 2,696,419 A | 12/1954 | Wallance | D364,055 S | 11/1995 | Pakla |
| D175,869 S | 10/1955 | Trout | D364,064 S | 11/1995 | Lorenz |
| 2,743,720 A | 5/1956 | Dollinger | 5,463,966 A | 11/1995 | Nilsson |
| D182,832 S | 5/1958 | Lubberts | D365,472 S | 12/1995 | Rehnberg |
| D182,836 S | 5/1958 | Lubberts | D366,110 S | 1/1996 | Darr |
| 2,850,346 A | 9/1958 | Holderle | D367,383 S | 2/1996 | Hatrack-Smith |
| D186,115 S | 9/1959 | Church | D373,693 S | 9/1996 | Elhage |
| 2,918,176 A | 12/1959 | Bell | 5,628,256 A | 5/1997 | Lazarus |
| D187,232 S | 2/1960 | Matyas | D384,227 S | 9/1997 | Grosfillex |
| D188,196 S | 6/1960 | Lubberts | D385,431 S | 10/1997 | Lee |
| D188,197 S | 6/1960 | Swarts | 5,695,081 A | 12/1997 | Alkalay |
| 3,039,621 A | 6/1962 | Pilcher | D389,343 S | 1/1998 | Van Der Merwe |
| D193,516 S | 9/1962 | Deaton | D390,936 S | 2/1998 | French |
| D195,726 S | 7/1963 | Harper | 5,752,500 A | 5/1998 | Jamieson |
| D196,451 S | 10/1963 | McMullen | 5,782,231 A | 7/1998 | Wade |
| 3,217,671 A | 11/1965 | Walsh | D398,788 S | 9/1998 | Schubert |
| 3,272,582 A | 9/1966 | Anderson | 5,833,084 A | 11/1998 | Chang |
| 3,352,615 A | 11/1967 | Sandin | D403,529 S | 1/1999 | De Blaay |
| 3,354,878 A | 11/1967 | Balls | D404,937 S | 2/1999 | Tarlow |
| D220,704 S | 5/1971 | Kramer | D407,577 S | 4/1999 | Dorst |
| 3,589,746 A | 6/1971 | Inglis | D408,174 S | 4/1999 | Aspenwall |
| RE27,186 E | 10/1971 | Ferdinand | D420,114 S | 2/2000 | Johnson |
| RE27,200 E | 10/1971 | Ferdinand et al. | D423,810 S | 5/2000 | Dorst |
| 3,688,707 A | 9/1972 | Maurice | D423,813 S | 5/2000 | Paus |
| 3,762,789 A | 10/1973 | Robertson | D425,330 S | 5/2000 | O'Hare |
| 3,766,863 A | 10/1973 | Swick | 6,074,029 A | 6/2000 | Snoke |
| D230,446 S | 2/1974 | Price | D428,609 S | 7/2000 | Williams |
| D233,294 S | 10/1974 | Goulder | D430,431 S | 9/2000 | Walter |
| D236,676 S | 9/1975 | Urti | D440,079 S | 4/2001 | Wohlford |
| D236,781 S | 9/1975 | Cowley | D448,203 S | 9/2001 | Jeup |
| D238,277 S | 12/1975 | Parker | D449,184 S | 10/2001 | Cain |
| D239,352 S | 3/1976 | Petrick | D450,492 S | 11/2001 | Sabo |
| D240,381 S | 7/1976 | Tazaki | D452,624 S | 1/2002 | de Blois |
| D244,112 S | 4/1977 | Friedman | D454,264 S | 3/2002 | Patik |
| D244,113 S | 4/1977 | Friedman | D454,732 S | 3/2002 | Frenkler |
| D249,429 S | 9/1978 | Robinson | D455,916 S | 4/2002 | Fluhrer |
| D249,860 S | 10/1978 | Ungaro | 6,393,207 B1 | 5/2002 | Martin |
| 4,182,244 A | 1/1980 | Hutchins | D462,008 S | 8/2002 | Stone |
| D259,316 S | 5/1981 | Offredi | D466,333 S | 12/2002 | Hwang |
| D262,847 S | 2/1982 | Keller | 6,515,262 B1 | 2/2003 | Li |
| D267,532 S | 1/1983 | Platner | D473,404 S | 4/2003 | De Blois |
| D269,754 S | 7/1983 | Kates | D475,225 S | 6/2003 | McBrayer |
| D270,858 S | 10/1983 | McInnes | D477,160 S | 7/2003 | Grosfillex |
| D273,829 S | 5/1984 | Desnoyers | D478,432 S | 8/2003 | Juneau |
| D274,152 S | 6/1984 | Fleming | D479,925 S | 9/2003 | Hsieh |
| D281,901 S | 12/1985 | Demrick | D485,450 S | 1/2004 | Smith |
| D283,182 S | 4/1986 | Marshall | D485,709 S | 1/2004 | de Blois |
| D283,343 S | 4/1986 | Haythornthwaite | D486,015 S | 2/2004 | De Blois |
| D289,474 S | 4/1987 | Underwood | D492,989 S | 7/2004 | Beck |
| D293,177 S | 12/1987 | Hamami | D495,527 S | 9/2004 | Walker |
| D293,521 S | 1/1988 | Handler | D495,898 S | 9/2004 | Walker |
| 4,793,667 A | 12/1988 | Gilliom | 6,789,859 B1 | 9/2004 | Ho |
| D303,596 S | 9/1989 | Goetz | D497,741 S | 11/2004 | Sexton |
| D304,982 S | 12/1989 | Bush | D499,274 S | 12/2004 | Juneau |
| D305,930 S | 2/1990 | MacAleese | D499,281 S | 12/2004 | Yamaguchi |
| D306,106 S | 2/1990 | Bush | D499,583 S | 12/2004 | Anderson |
| D319,230 S | 8/1991 | Sugiyama | D502,617 S | 3/2005 | Chang |
| 5,036,778 A | 8/1991 | Brioso | D503,570 S | 4/2005 | Anderson |
| D319,743 S | 9/1991 | Grey | D507,428 S | 7/2005 | Weatherly |
| D322,184 S | 12/1991 | Prevedello | D510,211 S | 10/2005 | Welborn, Jr. |
| D325,680 S | 4/1992 | Kiiski | D519,203 S | 4/2006 | Haas |
| D327,735 S | 7/1992 | Smith | D519,299 S | 4/2006 | Boudreau |
| D328,341 S | 7/1992 | Chiu | D520,779 S | 5/2006 | DeBlois |
| D329,693 S | 9/1992 | Mills | D522,771 S | 6/2006 | Berry |
| D330,470 S | 10/1992 | Bennett | D522,773 S | 6/2006 | Becker |
| | | | D528,327 S | 9/2006 | O'Reilly |
| | | | D531,835 S | 11/2006 | Harwanko |
| | | | D534,379 S | 1/2007 | Juneau |
| | | | D534,998 S | 1/2007 | Charnick |

(56)

References Cited

U.S. PATENT DOCUMENTS

| | | | |
|--------------|---------|-----------------|--------|
| D536,770 S | 2/2007 | Mayer | |
| D538,406 S | 3/2007 | Mayer | |
| D539,057 S | 3/2007 | Senda | |
| D542,059 S | 5/2007 | Moyle | |
| D543,057 S | 5/2007 | Grady | |
| D543,728 S | 6/2007 | Becker | |
| D548,488 S | 8/2007 | Weatherly | |
| D548,490 S | 8/2007 | Becker | |
| D549,991 S | 9/2007 | Stravitz | |
| D553,879 S | 10/2007 | Juneau | |
| D554,393 S | 11/2007 | Yalif | |
| D555,397 S | 11/2007 | Yalif | |
| D559,017 S | 1/2008 | Domack | |
| D559,583 S | 1/2008 | Zambelli | |
| D559,584 S | 1/2008 | Zambelli | |
| D559,585 S | 1/2008 | Lara | |
| D560,077 S | 1/2008 | Zambelli | |
| D560,396 S | 1/2008 | Weatherly | |
| D560,403 S | 1/2008 | Domack | |
| D560,930 S | 2/2008 | Woodward | |
| D561,317 S | 2/2008 | Ou | |
| D562,597 S | 2/2008 | Weatherly | |
| D564,789 S | 3/2008 | deCarolis | |
| D567,346 S | 4/2008 | Lin | |
| D587,483 S | 3/2009 | Zambelli | |
| D587,484 S | 3/2009 | Domack | |
| D587,497 S | 3/2009 | Zambelli | |
| D588,831 S | 3/2009 | Mohundro | |
| D589,280 S | 3/2009 | Zambelli | |
| D591,533 S | 5/2009 | Karsson | |
| D592,432 S | 5/2009 | Sexton | |
| 7,530,538 B2 | 5/2009 | Whalen | |
| D593,776 S | 6/2009 | Sexton | |
| D594,248 S | 6/2009 | Zambelli | |
| D595,979 S | 7/2009 | Schweikarth | |
| D598,672 S | 8/2009 | Maly | |
| D604,546 S | 11/2009 | Alman | |
| D605,874 S * | 12/2009 | Zambelli | D6/661 |
| D606,331 S | 12/2009 | Wicha | |
| D609,503 S | 2/2010 | Hayes | |
| D611,727 S | 3/2010 | Vail | |
| D614,888 S | 5/2010 | Sexton | |
| D618,015 S | 6/2010 | Sexton | |
| D618,016 S | 6/2010 | Metcalf | |
| D620,278 S | 7/2010 | Zambelli | |
| D620,283 S | 7/2010 | Calco | |
| D622,834 S | 8/2010 | Jiang | |
| D623,442 S | 9/2010 | Zambelli | |
| D623,876 S | 9/2010 | Zambelli | |
| D623,877 S * | 9/2010 | Zambelli | D6/661 |
| D625,123 S | 9/2010 | Zambelli | |
| D630,453 S | 1/2011 | Rafieha | |
| D632,902 S | 2/2011 | Rafieha | |
| D638,922 S | 5/2011 | Zhou | |
| 7,934,494 B1 | 5/2011 | Schneider | |
| D640,072 S | 6/2011 | Sexton | |
| D641,861 S | 7/2011 | Okamoto | |
| D644,853 S | 9/2011 | Becker | |
| D653,051 S | 1/2012 | Lin | |
| D653,739 S | 2/2012 | Gibbs | |
| D654,289 S | 2/2012 | Zambelli | |
| D654,995 S | 2/2012 | Asofsky | |
| D654,996 S | 2/2012 | Asofsky | |
| D655,946 S | 3/2012 | Sexton | |
| D658,750 S | 5/2012 | Nemes | |
| D663,137 S | 7/2012 | Andersen | |
| D663,138 S | 7/2012 | Andersen | |
| D665,897 S | 8/2012 | Martin | |
| D666,281 S | 8/2012 | Nemes | |
| D667,653 S | 9/2012 | Lenney | |
| D667,654 S | 9/2012 | Lenney | |
| D668,475 S | 10/2012 | Zambelli | |
| D669,704 S | 10/2012 | Zambelli | |
| D669,706 S | 10/2012 | Zambelli | |
| D669,707 S | 10/2012 | Zambelli | |
| D670,105 S | 11/2012 | Jespersen | |
| D671,769 S | 12/2012 | Olson | |
| D674,891 S | 1/2013 | Huang | |
| D675,716 S | 2/2013 | Schwartz | |
| D677,074 S | 3/2013 | Olson | |
| D687,250 S | 8/2013 | Weatherly | |
| D694,873 S | 12/2013 | Nemes | |
| D696,758 S | 12/2013 | Ernst | |
| 8,607,776 B2 | 12/2013 | Jansson | |
| 8,813,656 B1 | 8/2014 | Hazzard | |
| D716,288 S | 10/2014 | O'Heron | |
| D717,081 S | 11/2014 | Dworman | |
| D717,569 S | 11/2014 | Davis | |
| D718,956 S | 12/2014 | Helser | |
| D718,957 S | 12/2014 | Helser | |
| D719,384 S | 12/2014 | Sowers | |
| D720,563 S | 1/2015 | Burden | |
| D723,148 S | 2/2015 | Lawrence | |
| D723,843 S | 3/2015 | Lai | |
| 9,004,060 B2 | 4/2015 | Benedetti | |
| D728,975 S | 5/2015 | Park | |
| D730,089 S | 5/2015 | Carbone | |
| D731,823 S | 6/2015 | Kelinske | |
| D736,012 S | 8/2015 | Davis | |
| D737,418 S | 8/2015 | Hrydovyy | |
| D738,477 S | 9/2015 | Nemes | |
| D738,647 S | 9/2015 | Muller | |
| D741,090 S | 10/2015 | Ward | |
| D741,630 S | 10/2015 | Meissner | |
| D742,142 S | 11/2015 | Everson | |
| D742,662 S | 11/2015 | Muller | |
| D743,192 S | 11/2015 | Davis | |
| D746,614 S | 1/2016 | Sheppard | |
| D747,123 S | 1/2016 | Zambelli | |
| D747,788 S | 1/2016 | Baker | |
| D747,900 S | 1/2016 | Sheppard | |
| 9,228,742 B2 | 1/2016 | Akiyama | |
| D748,768 S | 2/2016 | Stanton | |
| D752,905 S | 4/2016 | Healy | |
| D753,930 S | 4/2016 | Vengadakrishnan | |
| D757,350 S | 5/2016 | Levy | |
| D758,766 S | 6/2016 | Kirar | |
| D759,997 S | 6/2016 | Ruiz | |
| D767,752 S | 6/2016 | Davis | |
| D767,753 S | 9/2016 | Edmund | |
| D768,413 S | 10/2016 | Huang | |
| D773,862 S | 12/2016 | Davis | |
| D775,866 S | 1/2017 | Ben Avi | |
| D777,479 S | 1/2017 | Anderson | |
| D778,641 S | 2/2017 | Anderson | |
| D778,646 S | 2/2017 | Davis | |
| D783,324 S | 4/2017 | Akana | |
| D791,302 S | 7/2017 | Davis | |
| D791,522 S | 7/2017 | Rodd | |
| D792,132 S | 7/2017 | Peota | |
| D793,776 S | 8/2017 | Davis | |
| D798,640 S | 10/2017 | Anderson | |
| D804,861 S | 12/2017 | Failing | |
| D807,671 S | 1/2018 | Caillouet | |
| D808,203 S | 1/2018 | Davis | |
| D808,688 S * | 1/2018 | Everson | D6/657 |
| D808,690 S | 1/2018 | Hsu | |
| D812,938 S | 3/2018 | Moore | |
| D814,410 S | 4/2018 | Emslie | |
| D815,465 S | 4/2018 | Hannoosh | |
| D817,037 S | 5/2018 | Davis | |
| D817,038 S | 5/2018 | Davis | |
| D817,040 S * | 5/2018 | Davis | D6/661 |
| D817,666 S | 5/2018 | Davis | |
| D817,667 S | 5/2018 | Davis | |
| D818,750 S | 5/2018 | Hannoosh | |
| D821,038 S | 6/2018 | Rathman | |
| D824,703 S | 8/2018 | Yamamoto | |
| D825,233 S | 8/2018 | Yamamoto | |
| D825,959 S | 8/2018 | Rockwell | |
| D833,782 S | 11/2018 | Amacher | |
| D834,354 S | 11/2018 | Davis | |
| D834,355 S | 11/2018 | Davis | |
| D835,437 S | 12/2018 | Stukenberg | |

(56)

References Cited

U.S. PATENT DOCUMENTS

D835,925 S 12/2018 Denby
D838,523 S 1/2019 Yamamoto
D843,756 S 3/2019 Johnson
D845,041 S 4/2019 Davis
D845,679 S 4/2019 Li
D845,683 S 4/2019 Pedersen
D848,766 S 5/2019 Chen
D848,767 S 5/2019 Smrstick
D848,768 S 5/2019 Johnson
D848,770 S 5/2019 Davis
D849,457 S 5/2019 Kundig
D850,815 S 6/2019 Nicoll
D851,426 S 6/2019 Saotome
D852,429 S 6/2019 Rathman
D853,052 S 7/2019 Rathman
D858,148 S 9/2019 Crutcher
D859,038 S 9/2019 Davis
D860,687 S 9/2019 Parikh
D861,388 S 10/2019 Bray
D862,940 S 10/2019 Bray
D866,225 S 11/2019 Gelman
D867,032 S 11/2019 Bellini
D869,201 S 12/2019 Davis
D869,202 S 12/2019 Davis
D870,492 S 12/2019 Young
D870,493 S 12/2019 Young
D874,192 S 2/2020 Velez
D878,116 S 3/2020 Davis
D878,816 S 3/2020 Davis
D878,817 S 3/2020 Davis
D878,823 S 3/2020 Davis
D879,516 S 3/2020 Davis
D882,989 S 5/2020 Davis
D885,091 S 5/2020 Davis
D886,499 S 6/2020 Davis
D888,467 S 6/2020 Li
D891,831 S 8/2020 Davis
D894,641 S 9/2020 Davis
D900,510 S 11/2020 Davis
2004/0074858 A1 4/2004 Thuma
2004/0079714 A1 4/2004 Andrew
2004/0222721 A1 11/2004 Kelley
2004/0237853 A1 12/2004 Sholz
2005/0000241 A1 1/2005 Kucera
2005/0103734 A1 5/2005 Saltzberg
2007/0062983 A1 3/2007 Barnett
2007/0138119 A1 6/2007 Schwerdlin
2007/0236111 A1 10/2007 Gray
2007/0236113 A1 10/2007 McCambridge
2008/0116771 A1 5/2008 Green
2008/0181587 A1 7/2008 Patil
2008/0203042 A1 8/2008 Felsenthal
2008/0216817 A1 9/2008 Yungbluth
2009/0025414 A1 1/2009 Koga
2009/0151375 A1 6/2009 Tarr
2009/0170421 A1 7/2009 Adrian
2009/0220221 A1 9/2009 Zhou
2010/0307179 A1 12/2010 Fava
2011/0000477 A1 1/2011 Kwon
2011/0017691 A1 1/2011 Wu
2011/0079688 A1 4/2011 Grove
2011/0080261 A1 4/2011 Asofsky
2011/0120166 A1 5/2011 Nadel
2011/0220090 A1 9/2011 Atemboski
2014/0116418 A1 5/2014 Thomas
2014/0239136 A1 8/2014 Ortega
2014/0252939 A1 9/2014 Tunzi
2014/0265754 A1 9/2014 Patterson
2014/0265807 A1 9/2014 Kendall
2014/0318529 A1 10/2014 Nielsen
2015/0182021 A1 7/2015 Chang
2015/0323190 A1 11/2015 Stein
2016/0018112 A1 1/2016 Phillips
2016/0100698 A1 4/2016 Clark
2016/0157605 A1 6/2016 Grad

2016/0209102 A1 7/2016 Vulava
2016/0223213 A1 8/2016 Grohova
2016/0256032 A1 9/2016 Bhajak
2017/0089587 A1 3/2017 Nemes
2017/0211814 A1 7/2017 Bourne
2018/0064246 A1 3/2018 Kassanoff

FOREIGN PATENT DOCUMENTS

CN 305138614 5/2019
EM 003068485-0003 4/2016
EM 003254200-0003 6/2016
EM 005646783-0006 9/2018
GB 1162368 8/1969
GB 4001474 5/2007
GB 4032905 11/2013
GB 4034171 7/2014
GB 6041896 8/2018
WO WOD076242-061 5/2011

OTHER PUBLICATIONS

U.S. Appl. No. 29/611,962, filed Jul. 27, 2017, Davis.
U.S. Appl. No. 29/611,963, filed Jul. 27, 2017, Davis.
U.S. Appl. No. 29/634,946, filed Jan. 25, 2018, Davis.
U.S. Appl. No. 29/634,903, filed Jan. 25, 2018, Davis.
U.S. Appl. No. 29/654,941, filed Jun. 28, 2018, Davis.
U.S. Appl. No. 29/654,935, filed Jun. 28, 2018, Davis.
U.S. Appl. No. 29/654,950, filed Jun. 28, 2018, Davis.
U.S. Appl. No. 29/656,499, filed Jul. 12, 2018, Davis.
U.S. Appl. No. 29/656,479, filed Jul. 12, 2018, Davis.
U.S. Appl. No. 29/656,485, filed Jul. 12, 2018, Davis.
U.S. Appl. No. 29/656,486, filed Jul. 12, 2018, Davis.
U.S. Appl. No. 29/656,497, filed Jul. 12, 2018, Davis.
U.S. Appl. No. 29/654,930, filed Jun. 28, 2018, Davis.
U.S. Appl. No. 29/654,936, filed Jun. 28, 2018, Davis.
U.S. Appl. No. 29/654,952, filed Jun. 28, 2018, Davis.
U.S. Appl. No. 29/656,492, filed Jul. 12, 2018, Davis.
U.S. Appl. No. 29/656,489, filed Jul. 12, 2018, Davis.
U.S. Appl. No. 29/634,889, filed Jan. 25, 2018, Davis.
U.S. Appl. No. 29/677,722, filed Jan. 23, 2019, Davis.
U.S. Appl. No. 29/677,723, filed Jan. 23, 2019, Davis.
U.S. Appl. No. 29/677,724, filed Jan. 23, 2019, Davis.
U.S. Appl. No. 29/677,738, filed Jan. 23, 2019, Davis.
U.S. Appl. No. 29/677,755, filed Jan. 23, 2019, Davis.
U.S. Appl. No. 29/677,761, filed Jan. 23, 2019, Davis.
U.S. Appl. No. 29/698,919, filed Jul. 22, 2019, Davis.
U.S. Appl. No. 29/698,928, filed Jul. 22, 2019, Davis.
U.S. Appl. No. 29/698,940, filed Jul. 22, 2019, Davis.
U.S. Appl. No. 29/699,063, filed Jul. 23, 2019, Davis.
U.S. Appl. No. 29/699,066, filed Jul. 23, 2019, Davis.
U.S. Appl. No. 29/699,071, filed Jul. 23, 2019, Davis.
U.S. Appl. No. 29/699,073, filed Jul. 23, 2019, Davis.
U.S. Appl. No. 29/699,078, filed Jul. 23, 2019, Davis.
U.S. Appl. No. 29/698,942, filed Jul. 22, 2019, Davis.
U.S. Appl. No. 29/698,947, filed Jul. 22, 2019, Davis.
Electric fireplace, image post date May 26, 2014, site visited Aug. 8, 2016, (online), <<https://www.tineye.com/search/3c3d0cbfb7030b3079ebefa0774a5b4e94120332/?pluginver>>.
Media Console with Electric Fireplace, image post date Dec. 6, 2015, site visited Aug. 8, 2016, (online), <<http://www.overstock.com/Home-Garden/Media-Console-with-Electric-Fireplace-in-Barnwood/10309735/product.html?recset=05953330-aaal-4640-a796-f225c2f8176d&refccid=MRISGBB2MZGZXYKK4EFV125H6Q&recalg=809,828,512&recidx=1#reviews>>.
TV Stand With Fireplace, image post date Sep. 12, 2015, site visited Aug. 8, 2016, (online), <<https://www.tineye.com/search/77be8934bf07249cbb245c8ea0f719199437b185/>>.
Walker Edison TV Stand with Fireplace Insert, image post date Jul. 31, 2015, site visited Aug. 8, 2016, (online), <<https://www.amazon.com/Walker-Edison-Fireplace-Insert-Espresso/dp/BOOPNONTAK>>.

(56) **References Cited**

OTHER PUBLICATIONS

- “Vasagle Glatal Glass Coffee Table.” Found online Sep. 30, 2020 at www.amazon.com. Product first available May 1, 2020. Retrieved from URL: <https://tinyurl.com/yxvuv2rf> (Year: 2020).
- “Henn and Hart Coffe Table.” Found online Sep. 30, 2020 at www.amazon.com. Product first available Jan. 20, 2019. Retrieved from URL: https://www.amazon.com/-/es/Henn-Hart-talla-%C3%BAnica-color/dp/B07N8RRPT5/ref=psdc_3733631_t5_B07CYML1LF (Year: 2019).
- Notice of Allowance for U.S. Appl. No. 29/714,849 dated Apr. 6, 2020.
- Notice of Allowance for U.S. Appl. No. 29/634,946 dated Apr. 8, 2020.
- Notice of Allowance for U.S. Appl. No. 29/654,952 dated Apr. 21, 2020.
- Pinterest; Cabinet Furniture; wood veneer sideboard with doors—Edge Collection by Miniforms; <https://www.pinterest.com/pin/312366924137895643>; Retrieved on Aug. 9, 2018.
- Edge Buffet and Cabinet; Miniforms.com; https://www.miniforms.com/en/products/4_buffet-and-cabinet/105_edge/#f; Retrieved on Aug. 9, 2018.
- Pinterest; Media Furniture Search; <https://www.pinterest.com/pin/33636328451628908/>; Retrieved on Apr. 16, 2018.
- Pinterest; Furniture Search; <https://www.pinterest.com/pin/33636328453466237/>; Retrieved on Apr. 11, 2018.
- Office Action for U.S. Appl. No. 29/677,738 dated Jun. 26, 2020.
- Office Action for U.S. Appl. No. 29/677,723 dated Jun. 26, 2020.
- “Walker Edison—W6ONOR2D Assembly Instructions.” Found online Jun. 19, 2020 at www.walker-edison.com. Page dated Apr. 23, 2018. Retrieved from URL: <https://www.walker-edison.com/uploads/5/8/2/2/58227457/ai-w6Onor2d-%C2%AE%20version%20042318-e.pdf> (Year: 2018).
- “The Urban Port Mid Century Modern Acacia Wood TV Unit.” Found online Jun. 19, 2020 at www.amazon.com. Product reviewed Jun. 28, 2018. Retrieved from URL: https://www.amazon.com/dp/B07P6QPSYJ/ref=sbl_dpx_B07LG44BN6_0?th=1 (Year: 2018).
- “Simpli Home Draper Solid Wood Universal Low TV Media Stand.” Found online Jun. 19, 2020 at www.amazon.com. Product reviewed Sep. 26, 2016. Retrieved from URL: https://www.amazon.com/dp/B01AACK5FM/ref=sbl_dpx_B082WLR SMS_0?th=1 (Year: 2016).
- “Iwell Mid-Century Modern TV Stand.” Found online Jun. 20, 2020 at www.amazon.com. Product first available May 7, 2020. Retrieved from URL: <https://tinyurl.com/y9okn5lq> (Year: 2020).
- “Tangkula Wooden TV Stand.” Found online Jun. 20, 2020 at www.amazon.com. Product first available Jan. 13, 2020. Retrieved from URL: <https://tinyurl.com/y9h9hwvc> (Year: 2020).
- “Langley Street Silvia 54-inch TV Stand.” Found online Jun. 20, 2020 at www.amazon.com. Product first available Aug. 30, 2015. Retrieved from URL: https://www.amazon.com/dp/B07BMM7PZ6/ref=sbl_dpx_B01255EZVW_0 (Year: 2015).
- “Walker Edison—W70JACSD Assembly Instructions.” Found online Jun. 19, 2020 at www.walker-edison.com. Page dated Jul. 9, 2018. Retrieved from URL: <https://www.walker-edison.com/uploads/5/8/2/2/58227457/ai-w70jacsd-%C2%AE%20version%20071118-n.pdf> (Year: 2018).
- “South Shore Exhibit TV Stand.” Found online Jun. 19, 2020 at www.amazon.com. Product reviewed Jan. 12, 2017. Retrieved from URL: https://www.amazon.com/dp/B01D9MW9FE/ref=sbl_dpx_B01AACK5FM_0?th=1 (Year: 2017).
- “Sauder Coral Cape Contemporary Wood 70-inch TV Stand.” Found online Jun. 19, 2020 at www.amazon.com. Product first available Jan. 28, 2020. Retrieved from URL: https://www.amazon.com/dp/B085VKFXJF/ref=sbl_dpx_B07LG44BN6_0 (Year: 2020).
- “CCT Global Sourcing Inc. Pearson Solid Hardwood 60-inch TV Stand.” Found online Jun. 19, 2020 at www.amazon.com. Product first available Jan. 20, 2020. Retrieved from URL: https://www.amazon.com/dp/B0842JT1Z6/ref=sbl_dpx_B07LG44BN6_0 (Year: 2020).
- Notice of Allowance for U.S. Appl. No. 29/677,722 dated Jul. 1, 2020.
- “Walker Edison—W58BMHPAS Assembly Instructions.” Found online Jun. 19, 2020 at www.walker-edison.com. Page dated Apr. 23, 2018. Retrieved from URL: <https://www.walker-edison.com/uploads/5/8/2/2/58227457/ai-w58bnh pas-%C2%AE%20version%20042318-e.pdf> (Year: 2018).
- “Mid Century Modern TV Stand.” Found online Jun. 20, 2020 at www.amazon.com. Product first available Jun. 16, 2020. Retrieved from URL: <https://tinyurl.com/y7qolcv7> (Year: 2020).
- “Pemberly Row Modern Mid Century Entertainment TV Stand.” Found online Jun. 20, 2020 at www.amazon.com. Product first available May 25, 2018. Retrieved from URL: <https://tinyurl.com/y9affau7> (Year: 2018).
- Notice of Allowance for U.S. Appl. No. 29/677,724 dated Jul. 7, 2020.
- “Walker Edison—W60S014D Assembly Instructions.” Found online Jun. 19, 2020 at www.walker-edison.com. Page dated May 8, 2018. Retrieved from URL: <https://www.walker-edison.com/uploads/5/8/2/2/58227457/ai-w60s014d-%C2%AE%20version%20050818-n.pdf> (Year: 2018).
- “Sauder Boulevard Cafe Credenza.” Found online Jun. 19, 2020 at www.amazon.com. Product first available Aug. 23, 2018. Retrieved from URL: https://www.amazon.com/Sauder-420649-Boulevard-Credenza-Vintage/dp/B07GSJ4MG1/ref=psdc_14109851_t1_B07G62YLV_0 (Year: 2018).
- “Martin Furniture Eclectic Harmon Four Door Console.” Found online Jun. 19, 2020 at www.amazon.com. Product first available Oct. 30, 2017. Retrieved from URL: https://www.amazon.com/dp/B076VVYRPR/ref=sbl_dpx_B07G62YLV_0 (Year: 2017).
- “Industrial Iron Mesh Sideboard Media Cabinet.” Found online Jun. 19, 2020 at www.amazon.com. Product first available Jul. 20, 2015. Retrieved from URL: https://www.amazon.com/dp/B01255EZVW/ref=sbl_dpx_B07G62YLV_0 (Year: 2015).
- Safavieh Furniture; <http://web.archive.org/web/20130301232929/http://safavieh.com/furniture/categories/bookcases?pg=all>; Retrieved online on Aug. 5, 2020.
- Safavieh Furniture; <http://web.archive.org/web/20140713025018/http://safavieh.com/furniture/american-home/bookcases/amh6525a/>; Retrieved online on Aug. 5, 2020.
- Amarah Mid Century Modern Wood TV Stand by Christopher Knight Home; <https://web.archive.org/web/20181102021725/http://www.overstock.ca/Home-Garden/Amarah-Mid-century-Modern-Wood-TV-Stand-by-Chris topher-Knight-Home/18108793/product.html>; Retrieved online on Aug. 5, 2020.
- Gemini Wood Contemporary TV Stand; <https://web.archive.org/web/20160423180238/http://www.target.com/p/gemini-wood-contemporary-tv-stand-walnut-white-66-baxton-studio/-/A-50256043>; Retrieved online on Aug. 5, 2020.
- Article Seno walnut media unit; <http://web.archive.org/web/20170610131805/http://www.article.com/product/1635/seno-walnut-63-media-unit>; Retrieved online on Aug. 5, 2020.
- Instagram post—Article Seno walnut media unit; <https://www.instagram.com/p/BhcCAZIH8-q/>; Retrieved on Aug. 5, 2020.
- Convenience Concepts Designs2Go Oslo TV Stand; <https://www.amazon.ca/Convenience-Concepts-Designs2Go-Stand-White/dp/B011RACHQ6/?th=1>; Retrieved online on Aug. 5, 2020.
- Houzz Rowan Mid-Century Modern Two-Toned TV Stand; <https://www.houzz.com/products/rowan-mid-century-modern-two-toned-tv-stand-white-oak-prvw-vr~74489612>; Retrieved online on Aug. 21, 2020.
- Focus on Furniture, Lowline TV Units; <https://web.archive.org/web/20170218071314/http://www.focusonfurniture.com.au/living-room/lowline-tv-units/>; Retrieved on Aug. 21, 2020.
- Office Action for U.S. Appl. No. 29/654,930, dated Aug. 21, 2020.
- Calie TV Stand for TVs up to 48 inches with Electric Fireplace Included; Wayfair.com; <https://www.wayfair.com/furniture/pdp/real-flame-calie-tv-stand-for-tvs-up-to-48-inches-with-electric-fireplace-included-jfp1647.html>; Retrieved on Jan. 10, 2018.
- Restriction Requirement for U.S. Appl. No. 29/698,919, dated Aug. 27, 2020.
- Office Action for U.S. Appl. No. 29/677,755, dated Aug. 27, 2020.

(56)

References Cited

OTHER PUBLICATIONS

Foundry Arsenault End Table, www.wayfair.com [online]. Published on or before Aug. 15, 2020, [retrieved on Aug. 15, 2020], Retrieved from the Internet: <URL:<https://www.wayfair.ca/furniture/pdp/foundry-select-arsenault-4-legs-end-table-c003160002.html?piid=1664365403>> (Year: 2020).

Office Action for U.S. Appl. No. 29/698,928, dated Aug. 28, 2020.
Notice of Allowance for U.S. Appl. No. 29/698,940, dated Aug. 28, 2020.

Rustic Farmhouse Corner TV Stand With Barn Doors, Little Rustic Shop, site visited Aug. 24, 2020, available online at <https://littlerusticshop.com/collections/frontpage/products/rustic-farmhouse-corner-tv-stand-with-barn-doors> (Year: 2020).

Office Action for U.S. Appl. No. 29/698,942, dated Aug. 31, 2020.
Notice of Allowance for U.S. Appl. No. 29/698,942, dated Nov. 3, 2020.

Notice of Allowance for U.S. Appl. No. 29/699,073, dated Nov. 3, 2020.

Notice of Allowance for U.S. Appl. No. 29/721,435, dated Nov. 3, 2020.

“Alera Angled Doors Oak Wood Black Sideboard” <https://www.decorpad.com/bookmark.htm?bookmarkId=69182> (Retrieved Nov. 12, 2020).

“Linus Base Cabinet w/Double Angled Doors by HABA, 460499*” <https://gresscoltd.com/linus-base-cabinet-w-double-angled-doors-by-haba-460499.html> (Retrieved Nov. 12, 2020).

“Solid Acacia Wood Canyon Ridge Three Drawer Media TV Console ith Metal Base” <https://www.hootjudkins.com/solid-acacia-wood-canyon-ridge-three-drawer-media-tv-console-with-metal-base> (Retrieved Nov. 12, 2020).

Office Action for U.S. Appl. No. 29/756,291, dated Nov. 23, 2020.
Barn Door Console, @sarahashleyallen on Instagram, Dec. 26, 2016, site visited Nov. 18, 2020, available online at <https://www.instagram.com/p/B0fH8jogzjK/?taken-by=sarahashleyallen> (Year: 2016).

DIY Barn Door Hardware, Ana White, Oct. 17, 2018, site visited Nov. 18, 2020, available online at <https://www.ana-white.com/woodworking-projects/diy-barn-door-hardware-washers> (Year: 2018).

Office Action for U.S. Appl. No. 29/698,919, dated Nov. 24, 2020.
DIY Sliding Barn Door Console, Jaime Costiglio, Jan. 1, 2019, site visited Nov. 18, 2020, available online at <https://jaimecostiglio.com/diy-sliding-barn-door-console-free-plans/> (Year: 2019).

Notice of Allowance for U.S. Appl. No. 29/654,930, dated Dec. 10, 2020.

Notice of Allowance for U.S. Appl. No. 29/698,928, dated Dec. 11, 2020.

* cited by examiner

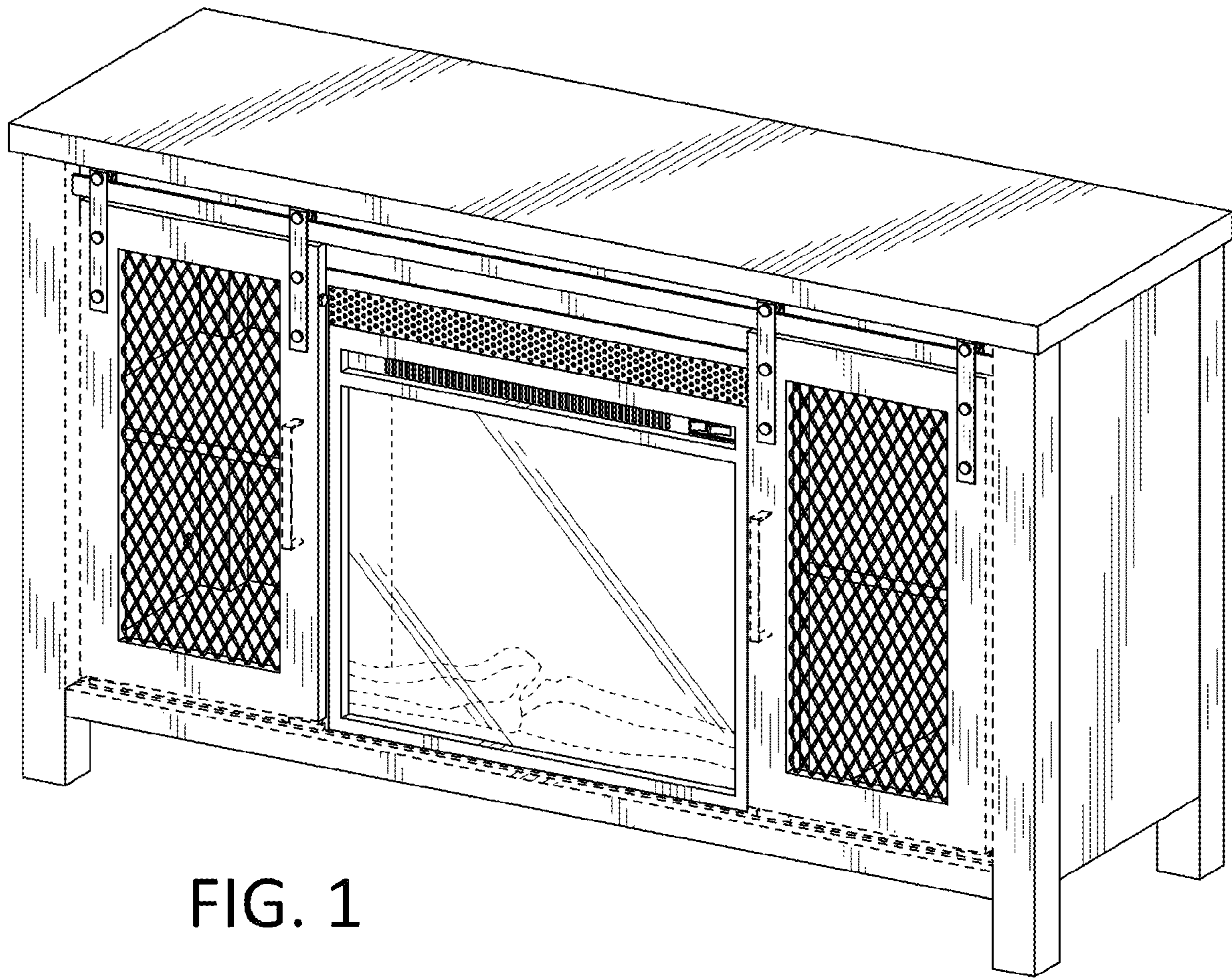


FIG. 1

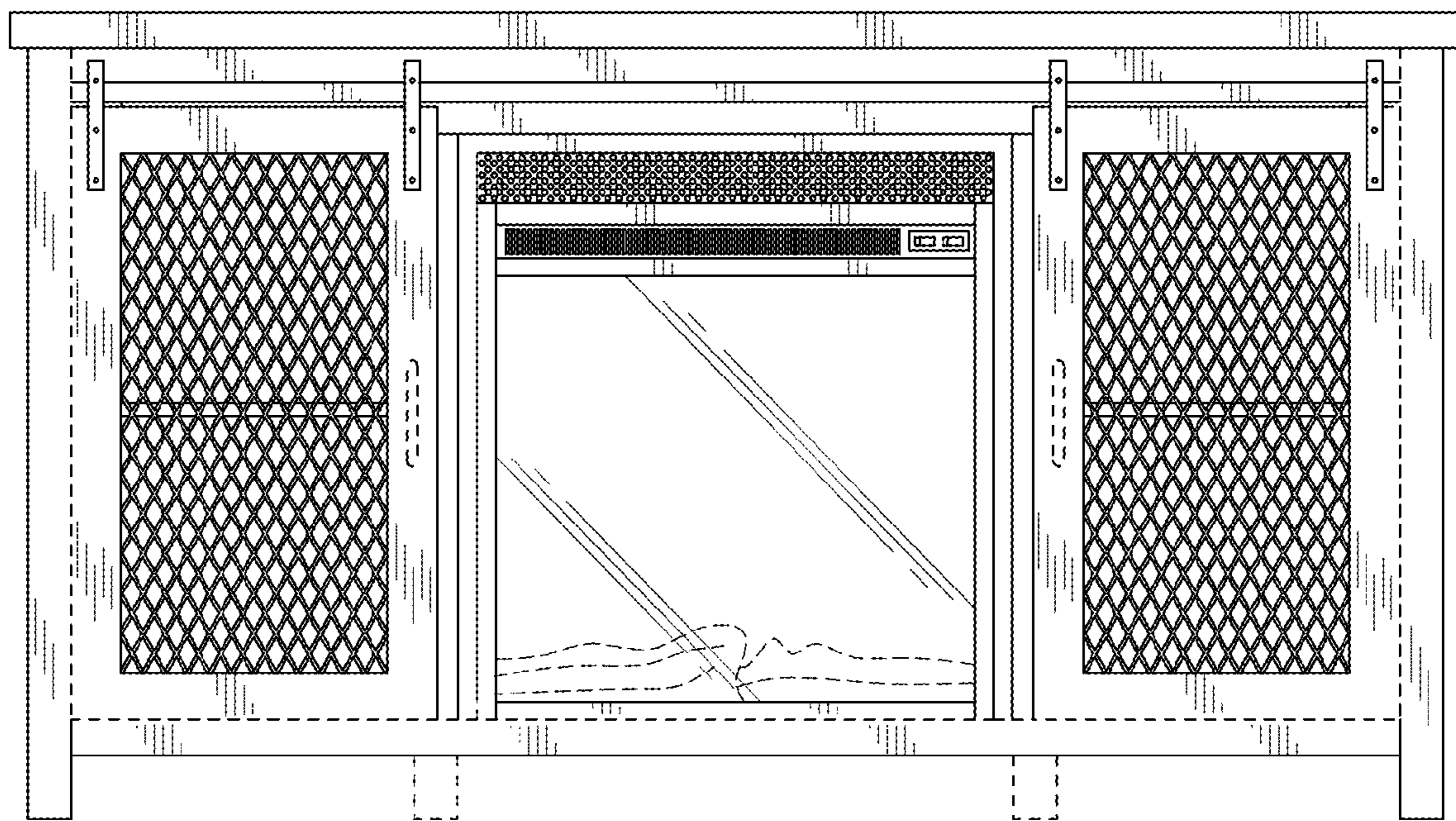


FIG. 2

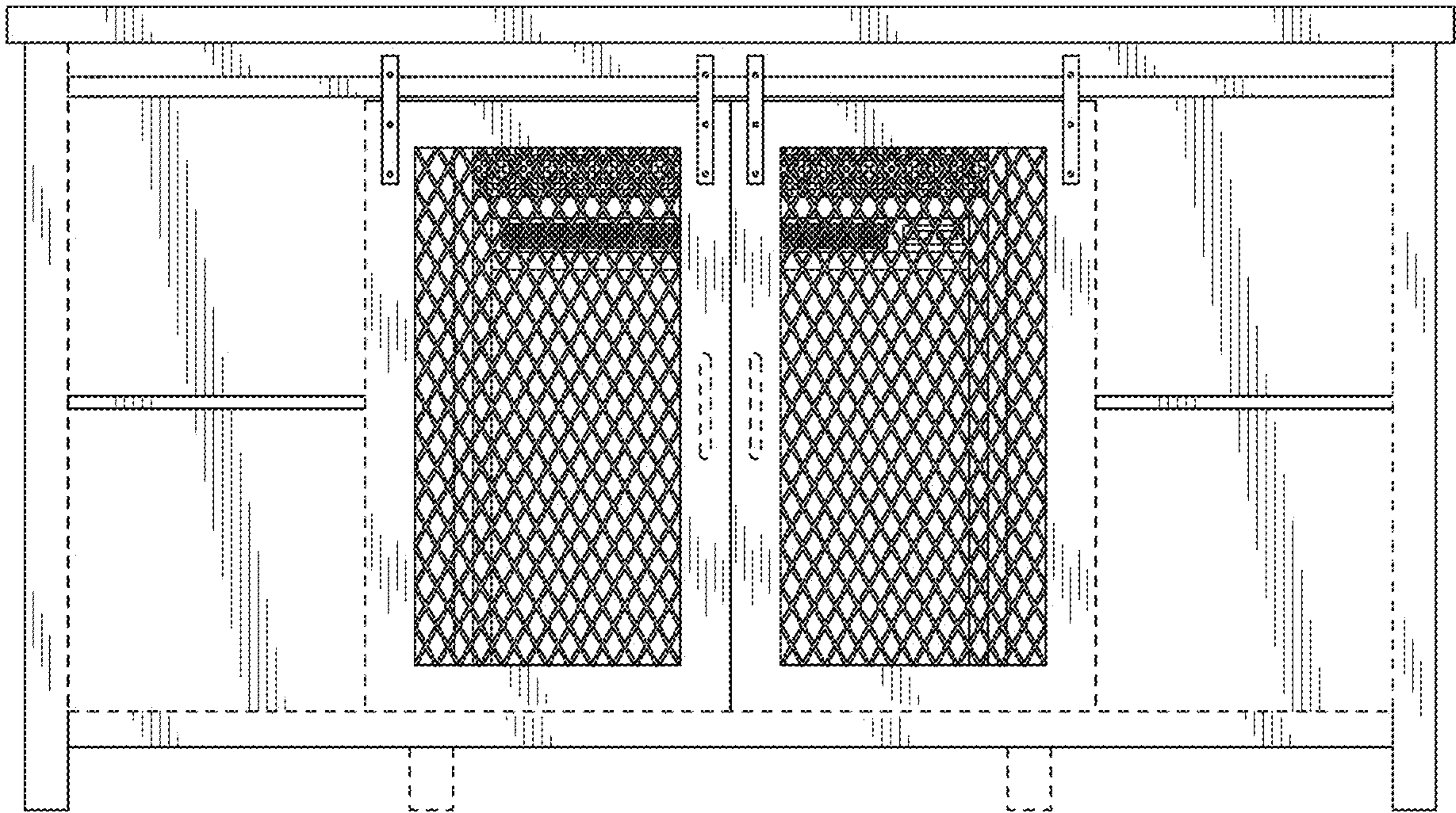


FIG. 3

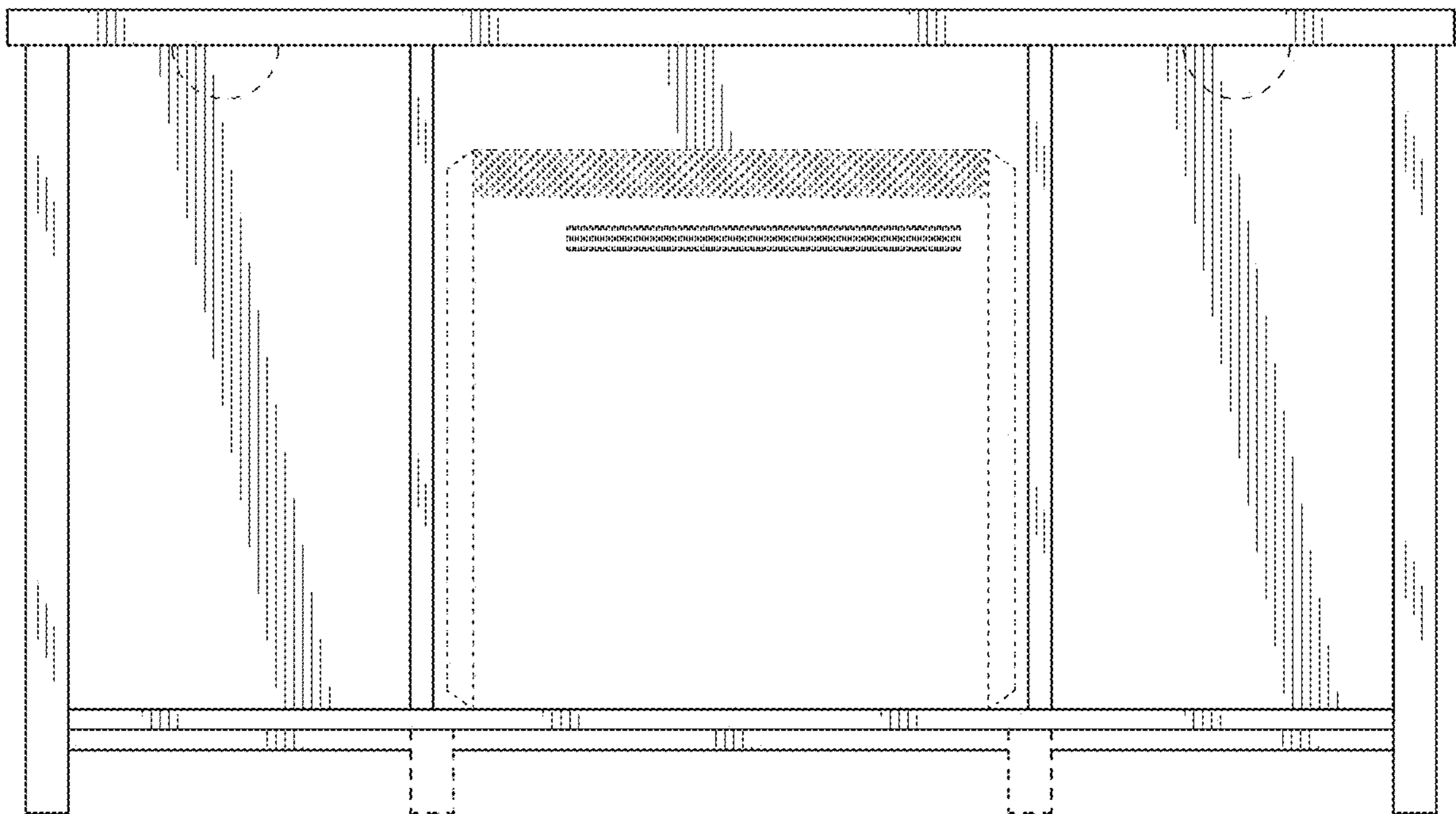


FIG. 4

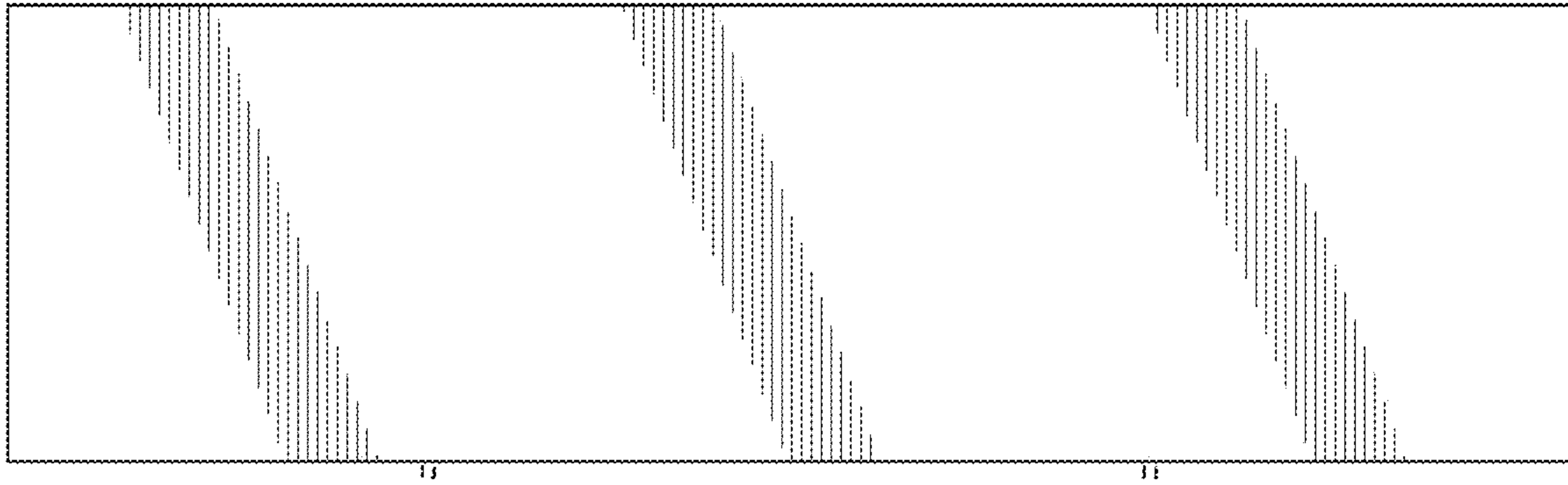


FIG. 5

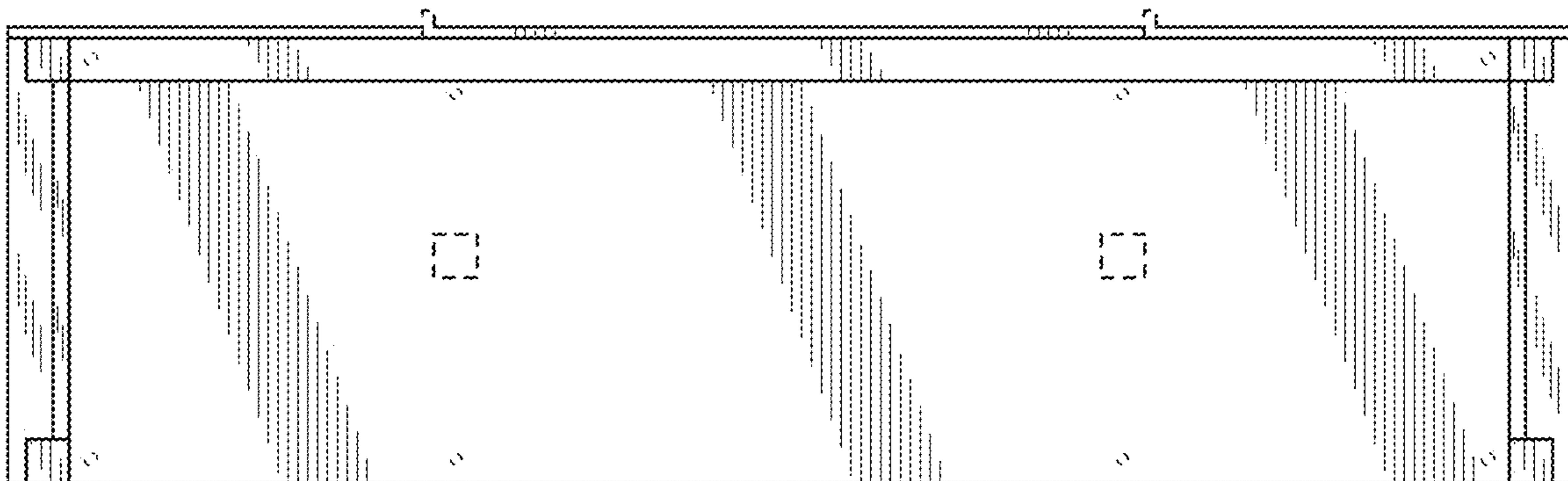


FIG. 6

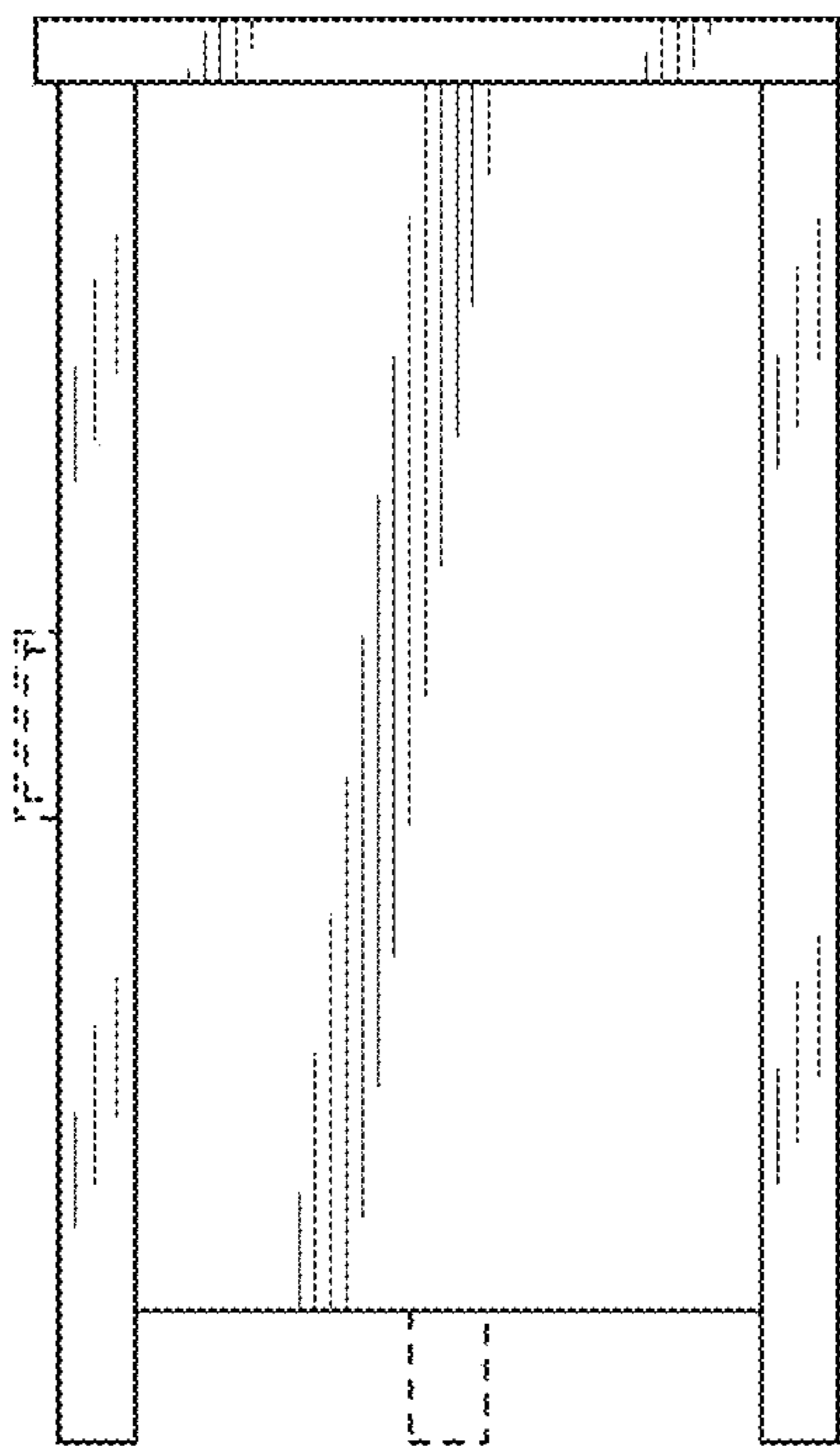


FIG. 7

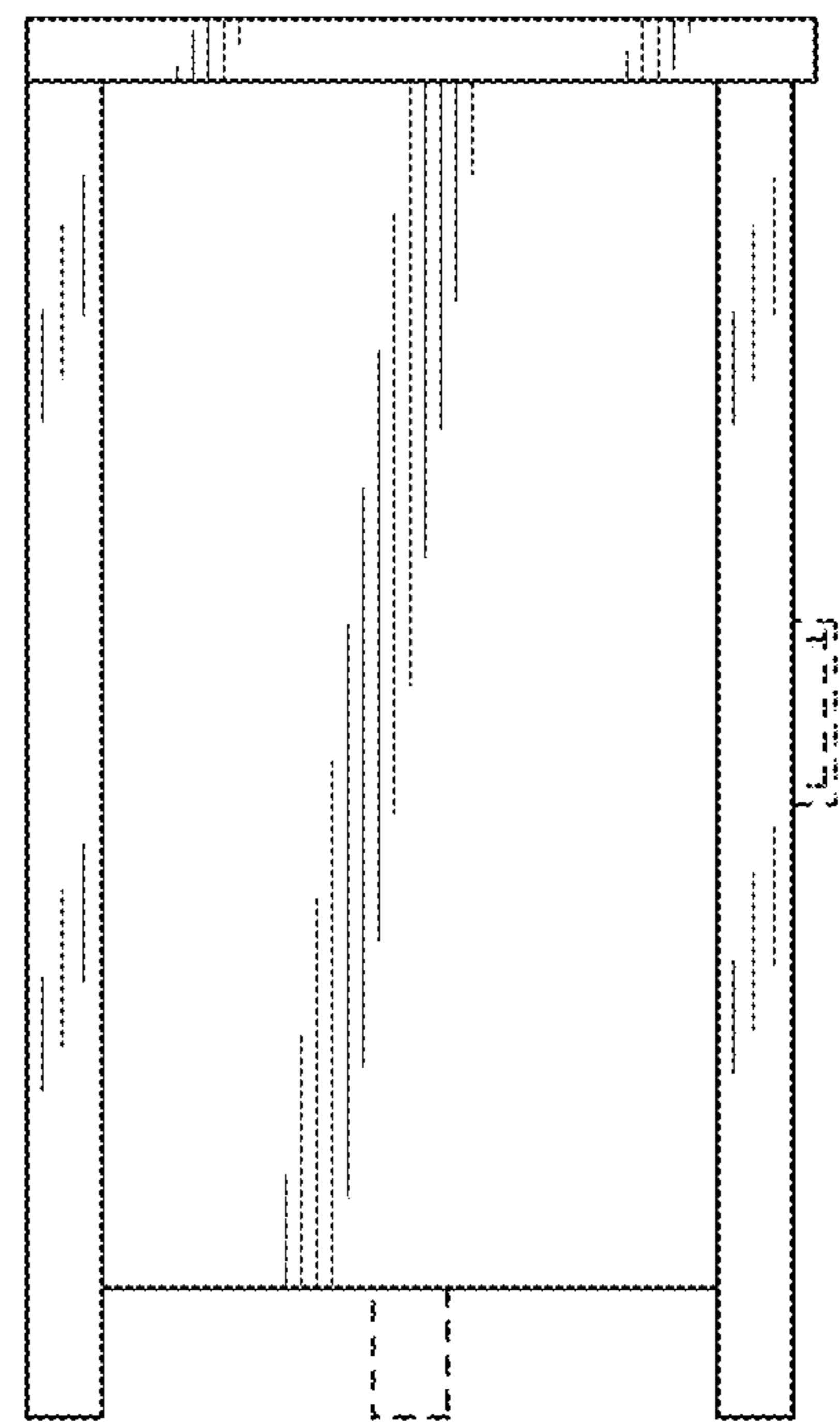


FIG. 8