



US00D908404S

(12) **United States Design Patent** (10) **Patent No.:** **US D908,404 S**  
**Davis et al.** (45) **Date of Patent:** **\*\* Jan. 26, 2021**

(54) **CABINET**  
(71) Applicant: **WALKER EDISON FURNITURE COMPANY LLC**, Salt Lake City, UT (US)  
(72) Inventors: **Matthew Davis**, Millcreek, UT (US); **Brad Bonham**, Draper, UT (US); **Richard A. Packer**, Kaysville, UT (US); **Tiffany Duhadway**, Salt Lake City, UT (US)  
(73) Assignee: **WALKER EDISON FURNITURE COMPANY LLC**, West Jordan, UT (US)

1,097,697 A 5/1914 Weston  
D47,441 S \* 6/1915 Ullin ..... D6/661  
D47,600 S 7/1915 Koch  
D61,344 S 8/1922 Mayer  
1,475,088 A 11/1923 Specht et al.  
D64,390 S 4/1924 Arons  
D64,922 S 6/1924 Naill  
D66,028 S 11/1924 Lyons et al.  
(Continued)

**FOREIGN PATENT DOCUMENTS**

CN 304163895 9/2017  
CN 305138614 5/2019  
(Continued)

**OTHER PUBLICATIONS**

U.S. Appl. No. 29/714,849, dated Feb. 25, 2020, Restriction Requirement.  
(Continued)

(\*\*) Term: **15 Years**  
(21) Appl. No.: **29/698,928**  
(22) Filed: **Jul. 22, 2019**  
(51) **LOC (13) Cl.** ..... **06-04**  
(52) **U.S. Cl.**  
USPC ..... **D6/661; D6/657**  
(58) **Field of Classification Search**  
USPC ..... D6/657, 659, 660, 661, 662, 663, 662.1, D6/671, 671.1; D34/19; D30/108, 114, D30/116  
CPC . A47B 67/00; A47B 67/04; A47B 2220/0072; A47B 2220/01; A47B 85/00; A47B 69/00; A47B 81/06; A01K 1/0035; A01K 1/03; A01K 1/033; A01K 1/035; A01K 31/06  
See application file for complete search history.

*Primary Examiner* — Cathron C Brooks  
(74) *Attorney, Agent, or Firm* — Workman Nydegger

(57) **CLAIM**

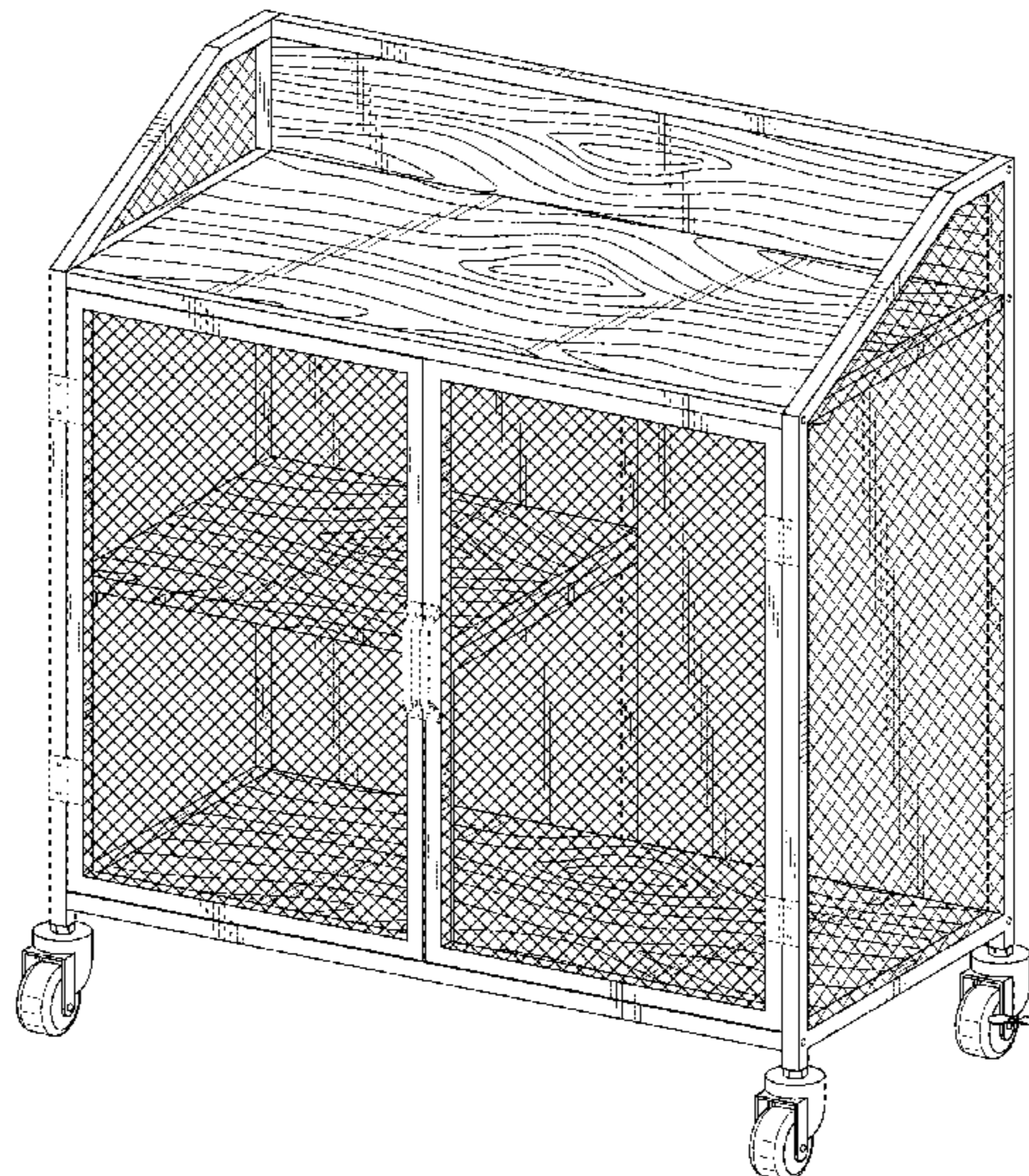
The ornamental design for a cabinet, as shown and described.

**DESCRIPTION**

FIG. 1 is a front perspective view of a cabinet showing the new design;  
FIG. 2 is a front elevation view thereof;  
FIG. 3 is a back elevation view thereof;  
FIG. 4 is a top plan view thereof;  
FIG. 5 is a bottom plan view thereof;  
FIG. 6 is a right elevation view thereof; and,  
FIG. 7 is a left elevation view thereof.  
The broken lines in the drawings are for the purpose of illustrating portions of the article that form no part of the claimed design.

(56) **References Cited**  
U.S. PATENT DOCUMENTS  
245,925 A 8/1881 Kinsley  
309,799 A 12/1884 Poulson  
887,168 A \* 5/1908 Will ..... A47B 61/00  
312/213

**1 Claim, 4 Drawing Sheets**



(56)

References Cited

U.S. PATENT DOCUMENTS

D66,889 S	3/1925	Schleicher		D330,470 S	10/1992	Bennett	
1,538,393 A	5/1925	Martin		D336,184 S	6/1993	Borgen	
D68,065 S	8/1925	Schleicher		D336,392 S	6/1993	Whalen	
D68,659 S	11/1925	Smith		D347,754 S	6/1994	Mehlin	
D78,127 S	3/1929	Schleicher		D348,576 S	7/1994	Narramore	
D103,250 S	2/1937	Parrish		D348,726 S	7/1994	Wilson	
D120,370 S	5/1940	Bach		D353,960 S	1/1995	Barfield	
2,207,307 A	7/1940	Teller		5,409,122 A	4/1995	Lazarus	
D165,241 S	11/1951	Porter		5,452,812 A	9/1995	Niequist	
D166,077 S	3/1952	Haas		D363,176 S	10/1995	Berry	
2,696,419 A	12/1954	Wallance		D363,841 S	11/1995	Nourse	
D175,869 S	10/1955	Trout		D364,055 S	11/1995	Pakla	
2,743,720 A	5/1956	Dollinger		D364,064 S	11/1995	Lorenz	
D182,832 S	5/1958	Lubberts		5,463,966 A	11/1995	Nilsson	
D182,836 S	5/1958	Lubberts		D365,472 S	12/1995	Rehnberg	
2,850,346 A	9/1958	Holderle		D366,110 S	1/1996	Dan	
D186,115 S	9/1959	Church		D367,383 S	2/1996	Hatrack-Smith	
2,918,176 A	12/1959	Bell		D373,693 S	9/1996	Elhage	
D187,232 S	2/1960	Matyas		5,628,256 A	5/1997	Lazarus	
D188,196 S	6/1960	Lubberts		D384,227 S	9/1997	Grosfillex	
D188,197 S	6/1960	Swarts		D385,431 S	10/1997	Lee	
3,039,621 A	6/1962	Pilcher		5,695,081 A	12/1997	Alkalay	
D193,516 S	9/1962	Deaton		D389,343 S	1/1998	Van Der Merwe	
D195,726 S *	7/1963	Harper .....	D6/657	D390,936 S	2/1998	French	
D196,451 S	10/1963	McMullen		5,752,500 A	5/1998	Jamieson	
3,217,671 A	11/1965	Walsh		5,782,231 A	7/1998	Wade	
3,272,582 A	9/1966	Anderson		D398,788 S	9/1998	Schubert	
3,352,615 A	11/1967	Sandin		5,833,084 A	11/1998	Chang	
3,354,878 A	11/1967	Balls		D403,529 S	1/1999	De Blaay	
D220,704 S	5/1971	Kramer		D404,937 S	2/1999	Tarlow	
3,589,746 A	6/1971	Inglis		D407,577 S	4/1999	Dorst	
RE27,186 E	10/1971	Ferdinand		D408,174 S	4/1999	Aspenwall	
RE27,200 E	10/1971	Ferdinand et al.		D420,114 S	2/2000	Johnson	
3,688,707 A	9/1972	Maurice		D423,810 S	5/2000	Dorst	
3,762,789 A	10/1973	Robertson		D423,813 S	5/2000	Paus	
3,766,863 A	10/1973	Swick		D425,330 S	5/2000	O'Hare	
D230,446 S *	2/1974	Price .....	D6/657	6,074,029 A	6/2000	Snoke	
D233,294 S	10/1974	Goulder		D428,609 S	7/2000	Williams	
D236,676 S	9/1975	Urti		D430,431 S	9/2000	Walter	
D236,781 S	9/1975	Cowley		D440,079 S	4/2001	Wohlford	
D238,277 S	12/1975	Parker		D448,203 S	9/2001	Jeup	
D239,352 S	3/1976	Petrick		D449,184 S	10/2001	Cain	
D240,381 S	7/1976	Tazaki		D450,492 S	11/2001	Sabo	
D244,112 S	4/1977	Friedman		D452,624 S	1/2002	de Blois	
D244,113 S	4/1977	Friedman		D454,264 S	3/2002	Patik	
D248,429 S	9/1978	Robinson		D454,732 S	3/2002	Frenkler	
D249,860 S	10/1978	Ungaro		D455,916 S	4/2002	Fluhrer	
4,182,244 A	1/1980	Hutchins		6,393,207 B1	5/2002	Martin	
D259,316 S	5/1981	Offredi		D462,008 S	8/2002	Stone	
D262,847 S	2/1982	Keller		D466,333 S	12/2002	Hwang	
D267,532 S	1/1983	Platner		6,515,262 B1	2/2003	Li	
D269,754 S	7/1983	Kates		D473,404 S	4/2003	De Blois	
D270,858 S	10/1983	McInnes		D475,225 S	6/2003	McBrayer	
D273,829 S	5/1984	Desnoyers		D477,160 S	7/2003	Grosfillex	
D274,152 S *	6/1984	Fleming .....	D30/116	D478,432 S	8/2003	Juneau	
D281,901 S	12/1985	Demrick		D479,925 S	9/2003	Hsieh	
D283,182 S *	4/1986	Marshall .....	A47B 61/00 D30/108	D485,450 S *	1/2004	Smith .....	D6/657
D283,343 S	4/1986	Haythornthwaite		D485,709 S	1/2004	de Blois	
D289,474 S	4/1987	Underwood		D486,015 S	2/2004	De Blois	
D293,177 S	12/1987	Hamami		D492,989 S	7/2004	Beck	
D293,521 S	1/1988	Handler		D495,898 S	9/2004	Walker	
4,793,667 A	12/1988	Gilliom		6,789,859 B1	9/2004	Ho	
D303,596 S	9/1989	Goetz		D497,741 S	11/2004	Sexton	
D304,982 S	12/1989	Bush		D499,274 S	12/2004	Juneau	
D305,930 S	2/1990	MacAleese		D499,281 S	12/2004	Yamaguchi	
D306,106 S	2/1990	Bush		D499,583 S	12/2004	Anderson	
D319,230 S	8/1991	Sugiyama		D502,617 S	3/2005	Chang	
5,036,778 A	8/1991	Briosi		D503,570 S	4/2005	Anderson	
D319,743 S	9/1991	Grey		D507,428 S	7/2005	Weatherly	
D322,184 S	12/1991	Prevedello		D510,211 S	10/2005	Welborn, Jr.	
D325,680 S	4/1992	Kiiski		D519,203 S	4/2006	Haas	
D327,735 S	7/1992	Smith		D519,299 S	4/2006	Boudreau	
D328,341 S	7/1992	Chiu		D520,779 S	5/2006	DeBlois	
D329,693 S	9/1992	Mills		D522,771 S	6/2006	Berry	
				D522,773 S	6/2006	Becker	
				D528,327 S	9/2006	O'Reilly	
				D534,379 S	1/2007	Juneau	
				D534,998 S	1/2007	Charnick	
				D536,770 S	2/2007	Mayer	

(56)

## References Cited

## U.S. PATENT DOCUMENTS

D538,406 S	3/2007	Mayer	D674,891 S	1/2013	Huang
D539,057 S	3/2007	Senda	D675,716 S	2/2013	Schwartz
D542,059 S	5/2007	Moyle	D687,250 S	8/2013	Weatherly
D543,057 S	5/2007	Grady	D694,873 S	12/2013	Nemes
D543,728 S	6/2007	Becker	D696,758 S	12/2013	Ernst
D548,488 S	8/2007	Weatherly	8,607,776 B2	12/2013	Jansson
D548,490 S	8/2007	Becker	8,813,656 B1	8/2014	Hazzard
D549,991 S	9/2007	Stravitz	D716,288 S	10/2014	O'Heron
D553,879 S	10/2007	Juneau	D717,081 S	11/2014	Dworman
D554,393 S	11/2007	Yalif	D717,569 S	11/2014	Davis
D555,397 S	11/2007	Yalif	D718,956 S	12/2014	Helser
D559,017 S	1/2008	Domack	D718,957 S	12/2014	Helser
D559,583 S	1/2008	Zambelli	D719,384 S	12/2014	Sowers
D559,584 S	1/2008	Zambelli	D720,563 S	1/2015	Burden
D559,585 S	1/2008	Lara	D723,148 S	2/2015	Lawrence
D560,077 S	1/2008	Zambelli	D723,843 S	3/2015	Lai
D560,396 S	1/2008	Weatherly	9,004,060 B2	4/2015	Benedetti
D560,403 S	1/2008	Domack	D728,975 S	5/2015	Park
D560,930 S	2/2008	Woodward	D730,089 S	5/2015	Carbone
D561,317 S	2/2008	Ou	D731,823 S	6/2015	Kelinske
D562,597 S	2/2008	Weatherly	D736,012 S	8/2015	Davis
D564,789 S	3/2008	deCarolis	D737,418 S	8/2015	Hrydovyy
D567,346 S	4/2008	Lin	D738,477 S	9/2015	Nemes
D587,483 S	3/2009	Zambelli	D738,647 S	9/2015	Muller
D587,484 S	3/2009	Domack	D741,090 S	10/2015	Ward
D587,497 S	3/2009	Zambelli	D741,630 S	10/2015	Meissner
D588,831 S	3/2009	Mohundro	D742,142 S	11/2015	Everson
D589,280 S	3/2009	Zambelli	D742,662 S	11/2015	Muller
D591,533 S	5/2009	Karsson	D743,192 S	11/2015	Davis
D592,432 S	5/2009	Sexton	D746,614 S	1/2016	Sheppard
7,530,538 B2	5/2009	Whalen	D747,123 S	1/2016	Zambelli
D593,776 S	6/2009	Sexton	D747,788 S	1/2016	Baker
D594,248 S	6/2009	Zambelli	D747,900 S	1/2016	Sheppard
D595,979 S	7/2009	Schweikarth	9,228,742 B2	1/2016	Akiyama
D598,672 S	8/2009	Maly	D748,768 S	2/2016	Stanton
D604,546 S	11/2009	Alman	D752,905 S	4/2016	Healy
D605,874 S	12/2009	Zambelli	D753,930 S	4/2016	Vengadakrishnan
D606,331 S	12/2009	Wicha	D757,350 S	5/2016	Levy
D609,503 S	2/2010	Hayes	D758,766 S	6/2016	Kirar
D611,727 S	3/2010	Vail	D759,997 S	6/2016	Ruiz
D614,888 S	5/2010	Sexton	D767,752 S	6/2016	Davis
D618,015 S	6/2010	Sexton	D767,753 S	9/2016	Edmund
D618,016 S	6/2010	Metcalf	D768,413 S	10/2016	Huang
D620,278 S	7/2010	Zambelli	D773,862 S	12/2016	Davis
D620,283 S	7/2010	Calco	D775,866 S	1/2017	Ben Avi
D622,834 S	8/2010	Jiang	D777,479 S	1/2017	Anderson
D623,442 S	9/2010	Zambelli	D778,641 S	2/2017	Anderson
D623,876 S	9/2010	Zambelli	D778,646 S	2/2017	Davis
D623,877 S	9/2010	Zambelli	D783,324 S	4/2017	Akana
D625,123 S	9/2010	Zambelli	D791,302 S	7/2017	Davis
D630,453 S	1/2011	Rafieha	D791,522 S	7/2017	Rodd
D632,902 S	2/2011	Rafieha	D792,132 S	7/2017	Peota
D638,922 S	5/2011	Zhou	D793,776 S	8/2017	Davis
7,934,494 B1	5/2011	Schneider	D798,640 S	10/2017	Anderson
D640,072 S	6/2011	Sexton	D804,861 S	12/2017	Failing
D641,861 S	7/2011	Okamoto	D807,671 S	1/2018	Caillouet
D644,853 S	9/2011	Becker	D808,203 S	1/2018	Davis
D653,051 S	1/2012	Lin	D808,688 S	1/2018	Everson
D653,739 S	2/2012	Gibbs	D808,690 S	1/2018	Hsu
D654,289 S	2/2012	Zambelli	D812,938 S	3/2018	Moore
D654,995 S	2/2012	Asofsky	D814,410 S	4/2018	Emslie
D654,996 S	2/2012	Asofsky	D815,465 S	4/2018	Hannoosh
D655,946 S	3/2012	Sexton	D817,037 S	5/2018	Davis
D658,750 S	5/2012	Nemes	D817,038 S	5/2018	Davis
D663,137 S	7/2012	Andersen	D817,040 S	5/2018	Davis
D663,138 S	7/2012	Andersen	D817,666 S	5/2018	Davis
D665,897 S	8/2012	Martin	D817,667 S	5/2018	Davis
D666,281 S	8/2012	Nemes	D818,750 S	5/2018	Hannoosh
D667,653 S	9/2012	Lenney	D821,038 S	6/2018	Rathman
D667,654 S	9/2012	Lenney	D824,703 S	8/2018	Yamamoto
D668,475 S	10/2012	Zambelli	D825,233 S	8/2018	Yamamoto
D669,704 S	10/2012	Zambelli	D825,959 S	8/2018	Rockwell
D669,706 S	10/2012	Zambelli	D833,782 S	11/2018	Amacher
D669,707 S	10/2012	Zambelli	D834,354 S	11/2018	Davis
D670,105 S	11/2012	Jespersen	D834,355 S	11/2018	Davis
			D835,437 S	12/2018	Stukenberg
			D835,925 S	12/2018	Denby
			D838,523 S	1/2019	Yamamoto
			D843,756 S	3/2019	Johnson

(56)

References Cited

FOREIGN PATENT DOCUMENTS

U.S. PATENT DOCUMENTS

D845,041 S 4/2019 Davis  
 D845,679 S 4/2019 Li  
 D845,683 S 4/2019 Pedersen  
 D848,766 S 5/2019 Chen  
 D848,767 S 5/2019 Smrstick  
 D848,768 S 5/2019 Johnson  
 D848,770 S 5/2019 Davis  
 D849,457 S 5/2019 Kundig  
 D850,815 S 6/2019 Nicoll  
 D851,426 S 6/2019 Saotome  
 D852,429 S \* 6/2019 Rathman ..... D29/125  
 D853,052 S \* 7/2019 Rathman ..... D30/114  
 D858,148 S 9/2019 Crutcher  
 D859,038 S 9/2019 Davis  
 D860,687 S 9/2019 Parikh  
 D861,388 S 10/2019 Bray  
 D862,940 S 10/2019 Bray  
 D867,032 S 11/2019 Bellini  
 D869,201 S 12/2019 Davis  
 D869,202 S 12/2019 Davis  
 D870,493 S 12/2019 Young  
 D874,192 S 2/2020 Velez  
 D878,116 S 3/2020 Davis  
 D878,816 S 3/2020 Davis  
 D878,817 S 3/2020 Davis  
 D878,823 S 3/2020 Davis  
 D879,516 S 3/2020 Davis  
 D882,989 S 5/2020 Davis  
 D885,091 S 5/2020 Davis  
 D886,499 S 6/2020 Davis  
 D888,467 S 6/2020 Li  
 D891,831 S 8/2020 Davis  
 D894,641 S 9/2020 Davis  
 2004/0074858 A1 4/2004 Thuma  
 2004/0079714 A1 4/2004 Andrew  
 2004/0222721 A1 11/2004 Kelley  
 2004/0237853 A1 12/2004 Sholz  
 2005/0000241 A1 1/2005 Kucera  
 2005/0103734 A1 5/2005 Saltzberg  
 2007/0062983 A1 3/2007 Barnett  
 2007/0138119 A1 6/2007 Schwerdlin  
 2007/0236111 A1 10/2007 Gray  
 2007/0236113 A1 10/2007 McCambridge  
 2008/0116771 A1 5/2008 Green  
 2008/0181587 A1 7/2008 Patil  
 2008/0203042 A1 8/2008 Felsenthal  
 2008/0216817 A1 9/2008 Yungbluth  
 2009/0025414 A1 1/2009 Koga  
 2009/0151375 A1 6/2009 Tarr  
 2009/0170421 A1 7/2009 Adrian  
 2009/0220221 A1 9/2009 Zhou  
 2010/0307179 A1 12/2010 Fava  
 2011/0000477 A1 1/2011 Kwon  
 2011/0017691 A1 1/2011 Wu  
 2011/0079688 A1 4/2011 Grove  
 2011/0080261 A1 4/2011 Asofsky  
 2011/0120166 A1 5/2011 Nadel  
 2011/0220090 A1 9/2011 Atemboski  
 2014/0116418 A1 5/2014 Thomas  
 2014/0239136 A1 8/2014 Ortega  
 2014/0252939 A1 9/2014 Tunzi  
 2014/0265754 A1 9/2014 Patterson  
 2014/0265807 A1 9/2014 Kendall  
 2014/0318529 A1 10/2014 Nielsen  
 2015/0182021 A1 7/2015 Chang  
 2015/0323190 A1 11/2015 Stein  
 2016/0018112 A1 1/2016 Phillips  
 2016/0100698 A1 4/2016 Clark  
 2016/0157605 A1 6/2016 Grad  
 2016/0209102 A1 7/2016 Vulava  
 2016/0223213 A1 8/2016 Grohova  
 2016/0256032 A1 9/2016 Bhajak  
 2017/0089587 A1 3/2017 Nemes  
 2017/0211814 A1 7/2017 Bourne  
 2018/0006424 A1 3/2018 Kassaroff

GB 1162368 8/1969  
 GB 4001474 5/2007  
 GB 4032905 11/2013  
 GB 4034171 7/2014  
 WO WOD076242-061 5/2011

OTHER PUBLICATIONS

U.S. Appl. No. 29/720,093, filed Jan. 9, 2020, Davis.  
 U.S. Appl. No. 29/714,849, filed Nov. 26, 2019, Davis.  
 U.S. Appl. No. 29/720,729, filed Jan. 15, 2020, Davis.  
 U.S. Appl. No. 29/720,732, filed Jan. 15, 2020, Davis.  
 U.S. Appl. No. 29/721,435, filed Jan. 21, 2020, Davis.  
 U.S. Appl. No. 29/720,734, filed Jan. 15, 2020, Davis.  
 U.S. Appl. No. 29/720,923, filed Jan. 16, 2020, Davis.  
 U.S. Appl. No. 29/720,927, filed Jan. 16, 2020, Davis.  
 U.S. Appl. No. 29/720,942, filed Jan. 16, 2020, Davis.  
 U.S. Appl. No. 29/720,948, filed Jan. 16, 2020, Davis.  
 U.S. Appl. No. 29/721,166, filed Jan. 17, 2020, Davis.  
 60" Tiered Top Console; <https://www.wayfair.com/furniture/pdp/real-flame-calie-tv-stand-for-tvs-up-to-48-inches-with-electric-fireplace-included-jfp1647.html>; Retrieved on Dec. 12, 2019.  
 58" Lincoln Console; <https://www.pinterest.com/pin/312366924137895643/>; Retrieved on Aug. 9, 2018.  
 58" Lincoln Console; [https://www.miniforms.com/en/products/4\\_buffet-and-cabinet/105\\_edge/#f](https://www.miniforms.com/en/products/4_buffet-and-cabinet/105_edge/#f); Retrieved on Aug. 9, 2018.  
 60" Jacklyn TV Console; <https://www.pinterest.com/pin/33636328451628908/>; Retrieved on Apr. 16, 2018.  
 60" Victor TV Console; <https://www.pinterest.com/pin/33636328453466237/>; Retrieved on Apr. 11, 2018.  
 70" Tiered Top Open Shelf Fireplace; <https://www.wayfair.com/furniture/pdp/real-flame-calie-tv-stand-for-tvs-up-to-48-inches-with-electric-fireplace-included-jfp1647.html>; Retrieved on Jan. 10, 2018.  
 48" Radcliff Buffet; <https://www.walkerredison.com/buffet-52-console-table.html>; Retrieved on Jul. 19, 2018.  
 U.S. Appl. No. 29/654,952, dated Feb. 12, 2020, Notice of Allowance.  
 U.S. Appl. No. 29/611,962, filed Jul. 27, 2017, Davis.  
 U.S. Appl. No. 29/611,963, filed Jul. 27, 2017, Davis.  
 U.S. Appl. No. 29/634,946, filed Jan. 25, 2018, Davis.  
 U.S. Appl. No. 29/634,903, filed Jan. 25, 2018, Davis.  
 U.S. Appl. No. 29/654,941, filed Jun. 28, 2018, Davis.  
 U.S. Appl. No. 29/654,935, filed Jun. 28, 2018, Davis.  
 U.S. Appl. No. 29/654,950, filed Jun. 28, 2018, Davis.  
 U.S. Appl. No. 29/656,499, filed Jul. 12, 2018, Davis.  
 U.S. Appl. No. 29/656,479, filed Jul. 12, 2018, Davis.  
 U.S. Appl. No. 29/656,485, filed Jul. 12, 2018, Davis.  
 U.S. Appl. No. 29/656,486, filed Jul. 12, 2018, Davis.  
 U.S. Appl. No. 29/656,497, filed Jul. 12, 2018, Davis.  
 U.S. Appl. No. 29/654,930, filed Jun. 28, 2018, Davis.  
 U.S. Appl. No. 29/654,936, filed Jun. 28, 2018, Davis.  
 U.S. Appl. No. 29/654,952, filed Jun. 28, 2018, Davis.  
 U.S. Appl. No. 29/656,492, filed Jul. 12, 2018, Davis.  
 U.S. Appl. No. 29/656,489, filed Jul. 12, 2018, Davis.  
 U.S. Appl. No. 29/634,889, filed Jan. 25, 2018, Davis.  
 U.S. Appl. No. 29/677,722, filed Jan. 23, 2019, Davis.  
 U.S. Appl. No. 29/677,723, filed Jan. 23, 2019, Davis.  
 U.S. Appl. No. 29/677,724, filed Jan. 23, 2019, Davis.  
 U.S. Appl. No. 29/677,738, filed Jan. 23, 2019, Davis.  
 U.S. Appl. No. 29/677,755, filed Jan. 23, 2019, Davis.  
 U.S. Appl. No. 29/677,761, filed Jan. 23, 2019, Davis.  
 U.S. Appl. No. 29/698,919, filed Jul. 22, 2019, Davis.  
 U.S. Appl. No. 29/698,928, filed Jul. 22, 2019, Davis.  
 U.S. Appl. No. 29/698,940, filed Jul. 22, 2019, Davis.  
 U.S. Appl. No. 29/699,063, filed Jul. 23, 2019, Davis.  
 U.S. Appl. No. 29/699,066, filed Jul. 23, 2019, Davis.  
 U.S. Appl. No. 29/699,071, filed Jul. 23, 2019, Davis.  
 U.S. Appl. No. 29/699,073, filed Jul. 23, 2019, Davis.  
 U.S. Appl. No. 29/699,078, filed Jul. 23, 2019, Davis.  
 U.S. Appl. No. 29/698,942, filed Jul. 22, 2019, Davis.  
 U.S. Appl. No. 29/698,947, filed Jul. 22, 2019, Davis.

(56)

## References Cited

## OTHER PUBLICATIONS

Electric fireplace, image post date May 26, 2014, site visited Aug. 8, 2016, (online), <<https://www.tineye.com/search/3c3d0cbfb7030b3079ebefa0774a5b4e94120332/?pluginver>>.

Media Console with Electric Fireplace, image post date Dec. 6, 2015, site visited Aug. 8, 2016, (online), <<http://www.overstock.com/Home-Garden/Media-Console-with-Electric-Fireplace-in-Barnwood/10309735/product.html?recset=05953330-aaa1-4640-a796-f225c2f8176d&refccid=MRISGBB2MZGZXYKK4EFV125H6Q&recalg=809,828,512&recidx=1#reviews>>.

Tv Stand With Fireplace, image post date Sep. 12, 2015, site visited Aug. 8, 2016, (online), <<https://www.tineye.com/search/77be8934bf07249cbb245c8ea0f719199437b185/>>.

Walker Edison TV Stand with Fireplace Insert, image post date Jul. 31, 2015, site visited Aug. 8, 2016, <<https://www.amazon.com/Walker-Edison-Fireplace-Insert-Espresso/dp/BOOPNONTAK>>.

Manchester Fireplace TV Console, image post date Dec. 17, 2015, site visited Aug. 8, 2016, (online), <<http://www.walmart.com/ip/Manchester-Media-Fireplace-Stand-for-TVs-up-to-70/46360223>>.

Monet Fireplace; Canadian Tire Company website: <http://www.canadiantire.ca/en/pdp/monet-fireplace-0643572p.html>; retrieved on Dec. 21, 2016.

TV and Media Consoles, image post date Sep. 21, 2013, site visited Oct. 26, 2016, (online), <http://web.archive.org/web/20130921074219/http://www.electrificfireplacesdirect.com/Gallery/tv-and-media-consoles.html>>.\*

"Kendall Electric Media Fireplace—Espresso" Dec. 24, 2012, amazon.com, site visited Mar. 6, 2018 <[https://www.amazon.com/Kendall-Electric-Media-Fireplace-Espresso/dp/B009L1T6XQ/ref=cm\\_cr\\_ar\\_p\\_d\\_product\\_top?ie=UTF8](https://www.amazon.com/Kendall-Electric-Media-Fireplace-Espresso/dp/B009L1T6XQ/ref=cm_cr_ar_p_d_product_top?ie=UTF8)> (Year: 2012).\*

"Whalen Media Fireplace Console for TVs up to 70" Gray" Nov. 24, 2015, walmart.com, site visited Mar. 6, 2018 <<https://www.walmart.com/ip/Whalen-Media-Fireplace-Console-for-TVs-up-to-70-Gray/54189794>> (Year: 2015).\*

"Boston Loft Furnishings . . ." Nov. 7, 2016, themine.com, site visited Mar. 2, 2018 [https://www.themine.com/tv-stands/boston-loft-furnishings-reamrock-infrared-electric-fireplace-media-stand-with-convertible-corner\\_g2733659.html](https://www.themine.com/tv-stands/boston-loft-furnishings-reamrock-infrared-electric-fireplace-media-stand-with-convertible-corner_g2733659.html)> (Year: 2016).

"Ameriwood Home Everett 70-inch . . ." Dec. 6, 2016, overstock.com, site visited Mar. 2, 2018 <<https://www.overstock.com/Home-Garden/Ameriwood-Home-Everett-70-inch-Sonoma-Oak-TVStand-with-Glass-Doors/12710691/product.html>> (Year: 2016).\*

Metal Coffee Table; <https://www.overstock.com/Home-Garden/42-Metal-Coffee-Table-42-x-24-x-18h/15951452/product.html> Retrieved on Nov. 13, 2018.

Modern Two-Tone Writing Desk; <https://www.overstock.com/Home-Garden/44-Modern-Two-Tone-Writing-Desk/19684325/product.html> Retrieved on Nov. 13, 2018.

Czapla TV Stand for TVs up to 65"; <https://www.allmodern.com/furniture/pdp/mercury-row-czapla-tv-stand-for-tvs-up-to-65-a000303456.html> ; Retrieved on May 7, 2019.

Nelson Media Cabinet; <https://www.franceandson.com/collections/storage-shelving-media-cabinets/products/nelson-media-cabinet36051> ; Retrieved on May 7, 2019.

Hal TV Stand for TVs up to 60"; <https://www.allmodern.com/furniture/pdp/hal-tv-stand-for-tvs-up-to-60-a000176456.html> ; Retrieved on May 7, 2019 .

Wigington TV Stand for TVs up to 60"; <https://www.allmodern.com/furniture/pdp/wigington-tv-stand-for-tvs-up-to-60-golv3670.html?piid> ; Retrieved on May 7, 2019.

Cliffmay Slat Media Stand Light Oak Brown—Project 62; [https://www.target.com/p/cliffmay-slat-media-stand-light-oak-brown-project-62-153/-/A-53517373?ref=tgt\\_adv\\_XS000000&AFID=google\\_pla\\_df&fndsrc=tgtao&CPNG=PLA\\_Furniture%2BShopping\\_Priority%2BBrands&adgroup=SC\\_Project+62&LID=700000001170770pgs&network=g&device=c&location=9029756&gclid=aw.ds&ds\\_rl=1247068&ds\\_rl=1246978&ref=tgt\\_adv\\_XS000000&AFID=google\\_pla\\_df&CPNG=PLA\\_Furniture+Shopping\\_Priority+Brands&adgroup=SC\\_Project%2062&LID=700000001170770pgs&network=g&device=c&location=9029756&gclid=EAIAIQobChMI7Nb9wo-H3wIVBylpCh1fSg4IEAQYBSABEGK\\_yPD\\_BwE&gclid=aw.ds](https://www.target.com/p/cliffmay-slat-media-stand-light-oak-brown-project-62-153/-/A-53517373?ref=tgt_adv_XS000000&AFID=google_pla_df&fndsrc=tgtao&CPNG=PLA_Furniture%2BShopping_Priority%2BBrands&adgroup=SC_Project+62&LID=700000001170770pgs&network=g&device=c&location=9029756&gclid=aw.ds&ds_rl=1247068&ds_rl=1246978&ref=tgt_adv_XS000000&AFID=google_pla_df&CPNG=PLA_Furniture+Shopping_Priority+Brands&adgroup=SC_Project%2062&LID=700000001170770pgs&network=g&device=c&location=9029756&gclid=EAIAIQobChMI7Nb9wo-H3wIVBylpCh1fSg4IEAQYBSABEGK_yPD_BwE&gclid=aw.ds) ; Retrieved on May 7, 2019.

c&location=9029756&gclid=EAIAIQobChMI7Nb9wo-H3wIVBylpCh1fSg4IEAQYBSABEGK\_yPD\_BwE&gclid=aw.ds ; Retrieved on May 7, 2019.

Audrey Woven Media Console 65"; <https://www.zinhome.com/audrey-woven-media-console-65/> ; Retrieved on May 14, 2019.

Demilune Mesh Door Industrial Sideboard; [https://belleescape.com/demilune-mesh-wire-door-industrial-chic-sideboard.html?\\_SID=U](https://belleescape.com/demilune-mesh-wire-door-industrial-chic-sideboard.html?_SID=U) ; Retrieved on May 14, 2019.

Tuk Cabinet; <https://blackroosterdecor.com/collections/storage-products/tuk-cabinet> ; Retrieved on May 14, 2019.

Rustic Style 31 Inches Metal TV Stand With Wire Mesh Doors Cabinet, Black; <https://casagear.com/products/rustic-style-31-inches-metal-tv-stand-with-wire-mesh-doors-cabinet-black>; May 14, 2019.

Geo-Marquetry Buffet; [https://www.anthropologie.com/shop/geo-marquetry-buffet?adpos=1o27&adtype=pla&cm\\_mmc=Google-US%20-%20Shopping%20-%20Furniture-Organizing%20and%20Storage-42699934&color=&countryCode=US&creative=191389729567&device=c&gclid=EAIAIQobChMIvuTGgYOH3wIVEdNkCh3t8wRPEAkYGyABEGJG\\_PD\\_BwE&inventoryCountry=US&matchtype=&mrkgadid=3202938336&mrkgcl=694&network=g&product\\_id=42699934&quantity=1&size=ALL&type=STANDARD&utm\\_campaign=US%20-%20Shopping%20-%20Furniture&utm\\_content=42699934&utm\\_medium=paid\\_search&utm\\_source=Google&utm\\_term=Organizing%20and%20Storage](https://www.anthropologie.com/shop/geo-marquetry-buffet?adpos=1o27&adtype=pla&cm_mmc=Google-US%20-%20Shopping%20-%20Furniture-Organizing%20and%20Storage-42699934&color=&countryCode=US&creative=191389729567&device=c&gclid=EAIAIQobChMIvuTGgYOH3wIVEdNkCh3t8wRPEAkYGyABEGJG_PD_BwE&inventoryCountry=US&matchtype=&mrkgadid=3202938336&mrkgcl=694&network=g&product_id=42699934&quantity=1&size=ALL&type=STANDARD&utm_campaign=US%20-%20Shopping%20-%20Furniture&utm_content=42699934&utm_medium=paid_search&utm_source=Google&utm_term=Organizing%20and%20Storage); Retrieved on May 14, 2019.

Suspend II Media Console; <https://www.cb2.com/suspend-ii-media-console/s523915>; Retrieved on May 14, 2019.

Hooker Furniture Melange Mirrored Angle Console; [https://www.furniturecrate.com/hooker-melange-mirrored-angle-console.html?gdftrk=gdfV21650\\_a\\_7c92\\_a\\_7c8357\\_a\\_7c654170&gclid=CjwKEAiA05unBRCymrGilanF9SwSjACqDFRm1WwgePUSp65sXRCI4RkJfScYn-ycjNuB-GTt3W-FxoCQL7w\\_wcB](https://www.furniturecrate.com/hooker-melange-mirrored-angle-console.html?gdftrk=gdfV21650_a_7c92_a_7c8357_a_7c654170&gclid=CjwKEAiA05unBRCymrGilanF9SwSjACqDFRm1WwgePUSp65sXRCI4RkJfScYn-ycjNuB-GTt3W-FxoCQL7w_wcB); Retrieved on May 14, 2019.

FurnitureMaxx Besteen Contemporary Wood Dark Gray Dining Room Server; [https://www.amazon.com/dp/B07GVS1VK2/ref=cm\\_sw\\_r\\_pi\\_dp\\_U\\_x\\_evuOBbFM3298G](https://www.amazon.com/dp/B07GVS1VK2/ref=cm_sw_r_pi_dp_U_x_evuOBbFM3298G); Retrieved on May 14, 2019.

Jaydyn Media TV Stand/Credenza; [https://www.macys.com/shop/product/jaydyn-media-tv-stand-credenza?ID=2883210&CategoryID=35319#fn=FURNITURE\\_CATEGORY=Buffet%20&SIZE=&sp=3&spc=131&ruleId=129%7CBOOST%20ATTRIBUTE%7CBOOST%20SAVED%20SET&searchPass=matchNone&slotId=2](https://www.macys.com/shop/product/jaydyn-media-tv-stand-credenza?ID=2883210&CategoryID=35319#fn=FURNITURE_CATEGORY=Buffet%20&SIZE=&sp=3&spc=131&ruleId=129%7CBOOST%20ATTRIBUTE%7CBOOST%20SAVED%20SET&searchPass=matchNone&slotId=2); Retrieved on May 14, 2019.

Sideboard; <https://www.allmodern.com/furniture/pdp/sideboard-sct11710.html>; Retrieved on May 14, 2019.

Belham Living Trenton Industrial End Table; [https://www.hayneedle.com/product/belham-living-trenton-industrial-end-table-new.cfm?source=pla&kwid=OccasionalTables%20iprefer&tid=REDU113-1&adtype=pla&kw=&gclid=EAIAIQobChMIvOu-6veI3wIVB8ZkCh0ZdAf-EAkYAyABEGLyMfD\\_BwE](https://www.hayneedle.com/product/belham-living-trenton-industrial-end-table-new.cfm?source=pla&kwid=OccasionalTables%20iprefer&tid=REDU113-1&adtype=pla&kw=&gclid=EAIAIQobChMIvOu-6veI3wIVB8ZkCh0ZdAf-EAkYAyABEGLyMfD_BwE); Retrieved on May 15, 2019.

Belham Living Hampton Chair Side Table—Black; <https://www.hayneedle.com/product/belham-living-hampton-chair-side-table-black.cfm>; Retrieved on May 15, 2019.

International Concepts Hampton End Table; [https://www.hayneedle.com/product/internationalconceptshamptonendtable.cfm?source=pla&kwid=OccasionalTables%20level05&tid=WWI545-1&adtype=pla&kw=&gclid=EAIAIQobChMIpsnoq\\_mI3wIVGNVCh348gtdEAKYiABEGLP7fD\\_BwE](https://www.hayneedle.com/product/internationalconceptshamptonendtable.cfm?source=pla&kwid=OccasionalTables%20level05&tid=WWI545-1&adtype=pla&kw=&gclid=EAIAIQobChMIpsnoq_mI3wIVGNVCh348gtdEAKYiABEGLP7fD_BwE); Retrieved on May 15, 2019.

Hampton Weathered Taupe Gray Coffee Table; [https://www.homedepot.com/p/International-Concepts-Hampton-Weathered-Taupe-Gray-Coffee-Table-OT09-70C/302946359?MERCHANT=PIPHorizontal2\\_rr\\_-204737265\\_-302946359\\_-N](https://www.homedepot.com/p/International-Concepts-Hampton-Weathered-Taupe-Gray-Coffee-Table-OT09-70C/302946359?MERCHANT=PIPHorizontal2_rr_-204737265_-302946359_-N); Retrieved on May 15, 2019.

Convenience Concepts Oxford Rectangle Coffee Table; [https://www.hayneedle.com/product/convenience-concepts-oxford-rectangle-coffee-table.cfm?source=pla&kwid=OccasionalTables%20newskus&tid=CONV338-5&adtype=pla&kw=&gclid=EAIAIQobChMIhuzv9\\_mI3wIVWx-tBhIrUA1tEAKYHyABEGJ2hPD\\_BwE](https://www.hayneedle.com/product/convenience-concepts-oxford-rectangle-coffee-table.cfm?source=pla&kwid=OccasionalTables%20newskus&tid=CONV338-5&adtype=pla&kw=&gclid=EAIAIQobChMIhuzv9_mI3wIVWx-tBhIrUA1tEAKYHyABEGJ2hPD_BwE); Retrieved on May 15, 2019.

Belham Living Jamestown Rustic Coffee Table with Unique Driftwood Finish; <https://www.hayneedle.com/product/jamestown-rustic-coffee-table.cfm>; Retrieved on May 15, 2019.

(56)

## References Cited

## OTHER PUBLICATIONS

Pinterest; [www.pinterest.com/pin/336328451393621/](http://www.pinterest.com/pin/336328451393621/); Retrieved on Jun. 12, 2019.

Target Winham TV Stand—Threshold; [www.target.com/p/windham-tv-stand-threshold-153/-/A-54301349](http://www.target.com/p/windham-tv-stand-threshold-153/-/A-54301349); Retrieved on Jun. 12, 2019 .  
Pinterest DIY Farmhouse Coffee Table Cabinet; [www.pinterest.com/pin/33636328450994833/](http://www.pinterest.com/pin/33636328450994833/); Retrieved on Jun. 12, 2019.

Image seen on Pinterest DIY Project; Pinterest.com; Seen approximately Aug. 1, 2017.

World Market—Metal Bexley Bar; [www.worldmarket.com/product/metal+bexley+bar.do?pp=1](http://www.worldmarket.com/product/metal+bexley+bar.do?pp=1); Retrieved on Sep. 25, 2019.

Overstock—Nova Domus Soria Modern Walnut TV Stand; [https://www.overstock.com/Home-Garden/Nova-Domus-Soria-Modern-Walnut-TV-Stand/10359356/product.html?utm\\_campaign=pin\\_button&utm\\_medium=Social&utm\\_source=Pinterest](https://www.overstock.com/Home-Garden/Nova-Domus-Soria-Modern-Walnut-TV-Stand/10359356/product.html?utm_campaign=pin_button&utm_medium=Social&utm_source=Pinterest); Retrieved on Jun. 12, 2019.

42 in. Metal and Wood Desk with Glass and Shelf Grey Wash by Walker Edison Furniture Company—Home Depot <https://www.homedepot.com/p/Walker-Edison-Furniture-Company-42-in-Metal-and-Wood-Desk-with-Glass-and-Shelf-Grey-Wash-HDM42JERGW/305309102> retrieved from the internet on Sep. 9, 2019.

Dark Walnut Wood and Glass Coffee Table by Walker Edison Furniture Company—Home Depot <https://www.homedepot.com/p/Walker-Edison-Furniture-Company-Dark-Walnut-Wood-and-Glass-Coffee-Table-HDF42JMGLDW/305308482> retrieved from the internet on Nov. 6, 2019.

“Baum TV Stand for TVs up to 58 inches” Wayfair. (Accessed Nov. 14, 2019).

“Dark Walnut 70" TV Stand” Pierl. (Accessed Nov. 14, 2019).

“Seren TV Stand for TVs up to 50 inches” Wayfair. (Accessed Nov. 14, 2019).

“Shreffler TV Stand for TVs up to 78 inches” Wayfair. (Accessed Nov. 14, 2019).

Electric Fireplaces Direct.com. <https://www.electricfireplacesdirect.com/products-accessories/tv-media-consoles/shelby-electric-fireplace-media-console-in-white-c3p18c9-2030w.html>. “Shelby Electric Fireplace Media Console in White”. Date unknown: Viewed Dec. 2019 (Year: 2019).

Pikove. <https://pikove.com/media/509962357792326443>. “Home Decor”. Feb. 2017 (Year: 2017).

Luno. <https://iamluno.com/product/kc27-record-console-new/>. “KC27 Hifi Record Console”. Date unknown: Viewed Dec. 2019 (Year: 2019).

U.S. Appl. No. 29/654,936, dated Jun. 19, 2019, Notice of Allowance.

U.S. Appl. No. 29/656,479, dated Jun. 27, 2019, Notice of Allowance.

U.S. Appl. No. 29/654,950, dated Sep. 25, 2019, Restriction Requirement.

U.S. Appl. No. 29/656,489, dated Sep. 25, 2019, Office Action.

U.S. Appl. No. 29/656,497, dated Sep. 25, 2019, Office Action.

U.S. Appl. No. 29/656,499, dated Sep. 26, 2019, Office Action.

U.S. Appl. No. 29/656,486, dated Sep. 27, 2019, Notice of Allowance.

U.S. Appl. No. 29/656,485, dated Oct. 2, 2019, Notice of Allowance.

U.S. Appl. No. 29/656,479, dated Oct. 21, 2019, Notice of Allowance.

U.S. Appl. No. 29/654,952, dated Nov. 15, 2019, Office Action.

U.S. Appl. No. 29/656,492, dated Nov. 18, 2019, Notice of Allowance.

U.S. Appl. No. 29/634,946, dated Dec. 12, 2019, Office Action.

U.S. Appl. No. 29/656,485, dated Dec. 18, 2019, Notice of Allowance.

U.S. Appl. No. 29/654,950, dated Dec. 27, 2019, Notice of Allowance.

U.S. Appl. No. 29/656,499, dated Jan. 23, 2020, Notice of Allowance.

U.S. Appl. No. 29/656,497, dated Jan. 23, 2020, Notice of Allowance.

U.S. Appl. No. 29/656,489, dated Jan. 24, 2020, Notice of Allowance.

Corrected Notice of Allowance for U.S. Appl. No. 29/698,942, dated Sep. 23, 2020.

Notice of Allowance for U.S. Appl. No. 29/677,723, dated Sep. 29, 2020.

Notice of Allowance for U.S. Appl. No. 29/677,738, dated Sep. 29, 2020.

Notice of Allowance for U.S. Appl. No. 29/720,732; dated Sep. 29, 2020.

Notice of Allowance for U.S. Appl. No. 29/721,435, dated Sep. 29, 2020.

Notice of Allowance for U.S. Appl. No. 29/677,724, dated Sep. 30, 2020.

Notice of Allowance for U.S. Appl. No. 29/699,071, dated Sep. 30, 2020.

Notice of Allowance for U.S. Appl. No. 29/720,923, dated Sep. 30, 2020.

U.S. Appl. No. 29/756,291, filed Oct. 27, 2020, Davis.

U.S. Appl. No. 29/756,302, filed Oct. 27, 2020, Davis.

U.S. Appl. No. 29/756,303, filed Oct. 27, 2020, Davis.

U.S. Appl. No. 29/756,305, filed Oct. 27, 2020, Davis.

U.S. Appl. No. 29/756,763, filed Oct. 30, 2020, Davis.

Notice of Allowance for U.S. Appl. No. 29/677,755, dated Oct. 27, 2020.

Notice of Allowance for U.S. Appl. No. 29/720,923, dated Oct. 28, 2020.

Lorraine TV Stand for TVs up to 60" Retrieved online Nov. 3, 2020; from URL: <https://www.wayfair.com/furniture/pdp/three-posts-lorraine-tv-stand-for-tvs-up-to-60-w001527559.html>.

U.S. Appl. No. 29/698,924, filed Jul. 22, 2019, Davis.

U.S. Appl. No. 29/743,237, filed Jul. 20, 2020, Packer.

U.S. Appl. No. 29/743,240, filed Jul. 20, 2020, Packer.

U.S. Appl. No. 29/743,244, filed Jul. 20, 2020, Packer.

U.S. Appl. No. 29/743,246, filed Jul. 20, 2020, Packer.

U.S. Appl. No. 29/743,247, filed Jul. 20, 2020, Packer.

U.S. Appl. No. 29/743,250, filed Jul. 20, 2020, Packer.

U.S. Appl. No. 29/743,416, filed Jul. 21, 2020, Packer.

U.S. Appl. No. 29/743,418, filed Jul. 21, 2020, Packer.

U.S. Appl. No. 29/743,423, filed Jul. 21, 2020, Packer.

U.S. Appl. No. 29/743,584, filed Jul. 22, 2020, Packer.

U.S. Appl. No. 29/728,971, filed Mar. 23, 2020, Davis.

Notice of Allowance for U.S. Appl. No. 29/714,849 dated Apr. 6, 2020.

Notice of Allowance for U.S. Appl. No. 29/634,946 dated Apr. 8, 2020.

Notice of Allowance for U.S. Appl. No. 29/654,952 dated Apr. 21, 2020.

Pinterest; Cabinet Furniture; wood veneer sideboard with doors—Edge Collection by Miniforms; <https://www.pinterest.com/pin/312366924137895643>; Retrieved on Aug. 9, 2018.

Edge Buffet and Cabinet; Miniforms.com; [https://www.miniforms.com/en/products/4\\_buffet-and-cabinet/105\\_edge/#f](https://www.miniforms.com/en/products/4_buffet-and-cabinet/105_edge/#f); Retrieved on Aug. 9, 2018.

Pinterest; Media Furniture Search; <https://www.pinterest.com/pin/33636328451628908/>; Retrieved on Apr. 16, 2018.

Pinterest; Furniture Search; <https://www.pinterest.com/pin/33636328453466237/>; Retrieved on Apr. 11, 2018.

Office Action for U.S. Appl. No. 29/677,738 dated Jun. 26, 2020.

Office Action for U.S. Appl. No. 29/677,723 dated Jun. 26, 2020.

“Walker Edison—W6ONOR2D Assembly Instructions.” Found online Jun. 19, 2020 at [www.walkerredison.com](http://www.walkerredison.com). Page dated Apr. 23, 2018. Retrieved from URL: <https://www.walkerredison.com/uploads/5/8/2/2/58227457/ai-w6Onor2d-%C2%AE%20version%20042318-e.pdf> (Year: 2018).

“The Urban Port Mid Century Modern Acacia Wood TV Unit.” Found online Jun. 19, 2020 at [www.amazon.com](http://www.amazon.com). Product reviewed Jun. 28, 2018. Retrieved from URL: [https://www.amazon.com/dp/B07P6OPSYJ/ref=sbl\\_dp\\_x\\_B07LG44BN6\\_0?th=1](https://www.amazon.com/dp/B07P6OPSYJ/ref=sbl_dp_x_B07LG44BN6_0?th=1) (Year: 2018).

“Simpli Home Draper Solid Wood Universal Low TV Media Stand.” Found online Jun. 19, 2020 at [www.amazon.com](http://www.amazon.com). Product

(56)

## References Cited

## OTHER PUBLICATIONS

reviewed Sep. 26, 2016. Retrieved from URL: <https://www.amazon.com/dp/B01AACK5FM/ref=sbl dpx B082WLRSMS 0?th=1> (Year: 2016).

“Iwell Mid-Century Modern TV Stand.” Found online Jun. 20, 2020 at [www.amazon.com](http://www.amazon.com). Product first available May 7, 2020. Retrieved from URL: <https://tinyurl.com/y9okn5lq> (Year: 2020).

“Tangkula Wooden TV Stand.” Found online Jun. 20, 2020 at [www.amazon.com](http://www.amazon.com). Product first available Jan. 13, 2020. Retrieved from URL: <https://tinyurl.com/y9h9hwwc> (Year: 2020).

“Langley Street Silvia 54-inch TV Stand.” Found online Jun. 20, 2020 at [www.amazon.com](http://www.amazon.com). Product first available Aug. 30, 2015. Retrieved from URL: <https://www.amazon.com/dp/B07BMM7PZ6/ref=sbl dpx B01255EZVW 0> (Year: 2015).

“Walker Edison—W70JACSD Assembly Instructions.” Found online Jun. 19, 2020 at [www.walkerredison.com](http://www.walkerredison.com). Page dated Jul. 9, 2018. Retrieved from URL: <https://www.walkerredison.com/uploads/5/8/2/2/58227457/ai-w70jacsd-%C2%AE version 071118 n.pdf> (Year: 2018).

“South Shore Exhibit TV Stand.” Found online Jun. 19, 2020 at [www.amazon.com](http://www.amazon.com). Product reviewed Jan. 12, 2017. Retrieved from URL: <https://www.amazon.com/dp/B01D9MW9FE/ref=sbl dpx B01AACK5FM 0?th=1> (Year: 2017).

“Sauder Coral Cape Contemporary Wood 70-inch TV Stand.” Found online Jun. 19, 2020 at [www.amazon.com](http://www.amazon.com). Product first available Jan. 28, 2020. Retrieved from URL: <https://www.amazon.com/dp/B085VKFXJF/ref=sbl dpx B07LG44BN6 0> (Year: 2020).

“CCT Global Sourcing Inc. Pearson Solid Hardwood 60-inch TV Stand.” Found online Jun. 19, 2020 at [www.amazon.com](http://www.amazon.com). Product first available Jan. 20, 2020. Retrieved from URL: <https://www.amazon.com/dp/B0842JT1Z6/ref=sbl dpx B07LG44BN6 0> (Year: 2020).

Notice of Allowance for U.S. Appl. No. 29/677,722 dated Jul. 1, 2020.

“Walker Edison—W58BMHPAS Assembly Instructions.” Found online Jun. 19, 2020 at [www.walkerredison.com](http://www.walkerredison.com). Page dated Apr. 23, 2018. Retrieved from URL: <https://www.walkerredison.com/uploads/5/8/2/2/58227457/ai-w58bnhpas-%C2%AE version 042318 - e.pdf> (Year: 2018).

“Mid Century Modern TV Stand.” Found online Jun. 20, 2020 at [www.amazon.com](http://www.amazon.com). Product first available Jun. 16, 2020. Retrieved from URL: <https://tinyurl.com/y7golcv7> (Year: 2020).

“Pemberly Row Modern Mid Century Entertainment TV Stand.” Found online Jun. 20, 2020 at [www.amazon.com](http://www.amazon.com). Product first available May 25, 2018. Retrieved from URL: <https://tinyurl.com/y9affau7> (Year: 2018).

Notice of Allowance for U.S. Appl. No. 29/677,724 dated Jul. 7, 2020.

“Walker Edison—W60S014D Assembly Instructions.” Found online Jun. 19, 2020 at [www.walkerredison.com](http://www.walkerredison.com). Page dated May 8, 2018. Retrieved from URL: <https://www.walkerredison.com/uploads/5/8/2/2/58227457/ai-w60soi4d-%C2%AE version 050818 n.pdf> (Year: 2018).

“Sauder Boulevard Cafe Credenza.” Found online Jun. 19, 2020 at [www.amazon.com](http://www.amazon.com). Product first available Aug. 23, 2018. Retrieved from URL: <https://www.amazon.com/Sauder-420649-Boulevard-Credenza-Vintage/dp/B07GSJ4MG1/ref=psdc 14109851 t1 B07G62YLVT> (Year: 2018).

“Martin Furniture Eclectic Harmon Four Door Console.” Found online Jun. 19, 2020 at [www.amazon.com](http://www.amazon.com). Product first available Oct. 30, 2017. Retrieved from URL: <https://www.amazon.com/dp/B076VVVYRPR/ref=sbl dpx B07G62YLVT 0> (Year: 2017).

“Industrial Iron Mesh Sideboard Media Cabinet.” Found online Jun. 19, 2020 at [www.amazon.com](http://www.amazon.com). Product first available Jul. 20, 2015. Retrieved from URL: <https://www.amazon.com/dp/B01255EZVW/ref=sbl dpx B07G62YLVT 0> (Year: 2015).

Safavieh Furniture; <http://web.archive.org/web/20130301232929/http://safavieh.com/furniture/categories/bookcases?pg=all>; Retrieved online on Aug. 5, 2020.

Safavieh Furniture; <http://web.archive.org/web/20140713025018/http://safavieh.com/furniture/american-home/bookcases/amh6525a>; Retrieved online on Aug. 5, 2020.

Amarah Mid Century Modern Wood TV Stand by Christopher Knight Home; <https://web.archive.org/web/20181102021725/https://www.overstock.ca/Home-Garden/Amarah-Mid-century-Modern-Wood-TV-Stand-by-Christopher-Knight-Home/18108793/product.html>; Retrieved online on Aug. 5, 2020.

Gemini Wood Contemporary TV Stand; <https://web.archive.org/web/20160423180238/https://www.target.com/p/gemini-wood-contemporary-tv-stand-walnut-white-66-baxton-studio/-/A-50256043>; Retrieved online on Aug. 5, 2020.

Article Seno walnut media unit; <http://web.archive.org/web/20170610131805/https://www.article.com/product/1635/seno-walnut-63-media-unit>; Retrieved online on Aug. 5, 2020.

Instagram post—Article Seno walnut media unit; <https://www.instagram.com/p/BhcCAZIH8-q/>; Retrieved on Aug. 5, 2020.

Convenience Concepts Designs2Go Oslo TV Stand; <https://www.amazon.ca/Convenience-Concepts-Designs2Go-Stand-White/dp/B011RACHQ6/?th=1>; Retrieved online on Aug. 5, 2020.

Houzz Rowan Mid-Century Modern Two-Toned TV Stand; <https://www.houzz.com/products/rowan-mid-century-modern-two-toned-tv-stand-white-oak-prvw-vr~74489612>; Retrieved online on Aug. 21, 2020.

Focus on Furniture, Lowline TV Units; <https://web.archive.org/web/20170218071314/https://www.focusonfurniture.com.au/living-room/lowline-tv-units/>; Retrieved on Aug. 21, 2020.

Office Action for U.S. Appl. No. 29/654,930, dated Aug. 21, 2020. Calie TV Stand for TVs up to 48 inches with Electric Fireplace Included; Wayfair.com; <https://www.wayfair.com/furniture/pdp/real-flame-calie-tv-stand-for-tvs-up-to-48-inches-with-electric-fireplace-included-jfp1647.html>; Retrieved on Jan. 10, 2018.

Restriction Requirement for U.S. Appl. No. 29/698,919, dated Aug. 27, 2020.

Office Action for U.S. Appl. No. 29/677,755, dated Aug. 27, 2020. Foundry Arsenault End Table, [www.wayfair.com](http://www.wayfair.com) [online]. Published on or before Aug. 15, 2020, [retrieved on Aug. 15, 2020], Retrieved from the Internet: <URL:<https://www.wayfair.ca/furniture/pdp/foundry-select-arsenault-4-legs-end-table-c003160002.html?piid=1664365403>> (Year: 2020).

Notice of Allowance for U.S. Appl. No. 29/698,940, dated Aug. 28, 2020.

Rustic Farmhouse Corner TV Stand With Barn Doors, Little Rustic Shop, site visited Aug. 24, 2020, available online at <https://littlerusticshop.com/collections/frontpage/products/rustic-farmhouse-corner-tv-stand-with-barn-doors> (Year: 2020).

Office Action for U.S. Appl. No. 29/698,947, dated Aug. 31, 2020. White Eliza TV Stand With Fireplace Insert, Owens Home Furnishings, site visited Aug. 25, 2020, available online at <https://www.owensfurniture.com/eliza-white-barn-door-tv-stand-70/> (Year: 2020).

Office Action for U.S. Appl. No. 29/698,942, dated Aug. 31, 2020.

Office Action for U.S. Appl. No. 29/677,761, dated Sep. 1, 2020. Foundry Select Arsenault Coffee Table, [www.wayfair.ca](http://www.wayfair.ca) [online]. Published on or before Aug. 11, 2020 [retrieved on Aug. 11, 2020], Retrieved from the Internet: <URL:<https://www.wayfair.ca/furniture/pdp/foundry-select-arsenault-coffee-table-c003159996.html>> (Year: 2020).

Notice of Allowance for U.S. Appl. No. 29/699,063, dated Sep. 2, 2020.

Notice of Allowance for U.S. Appl. No. 29/699,071, dated Sep. 4, 2020.

Notice of Allowance for U.S. Appl. No. 29/699,066, dated Sep. 11, 2020.

Notice of Allowance for U.S. Appl. No. 29/677,723, dated Sep. 15, 2020.

Notice of Allowance for U.S. Appl. No. 29/677,738, dated Sep. 15, 2020.

Notice of Allowance for U.S. Appl. No. 29/698,942, dated Sep. 15, 2020.

Office Action for U.S. Appl. No. 29/698,924, dated Sep. 16, 2020.

Notice of Allowance for U.S. Appl. No. 29/699,073, dated Sep. 16, 2020.

Office Action for U.S. Appl. No. 29/699,078, dated Oct. 6, 2020.

(56)

**References Cited**

OTHER PUBLICATIONS

“Vasagle Glatal Glass Coffee Table.” Found online Sep. 30, 2020 at [www.amazon.com](http://www.amazon.com). Product first available May 1, 2020. Retrieved from URL: <https://tinyurl.com/yxvuv2rf> (Year: 2020).

“Henn and Hart Coffe Table.” Found online Sep. 30, 2020 at [www.amazon.com](http://www.amazon.com). Product first available Jan. 20, 2019. Retrieved from URL: [https://www.amazon.com/-/es/Henn-Hart-talla-%C3%BAnica-color/dp/B07N8RRPT5/ref=psdc\\_3733631\\_t5\\_B07CYML1LF](https://www.amazon.com/-/es/Henn-Hart-talla-%C3%BAnica-color/dp/B07N8RRPT5/ref=psdc_3733631_t5_B07CYML1LF) (Year: 2019).

\* cited by examiner



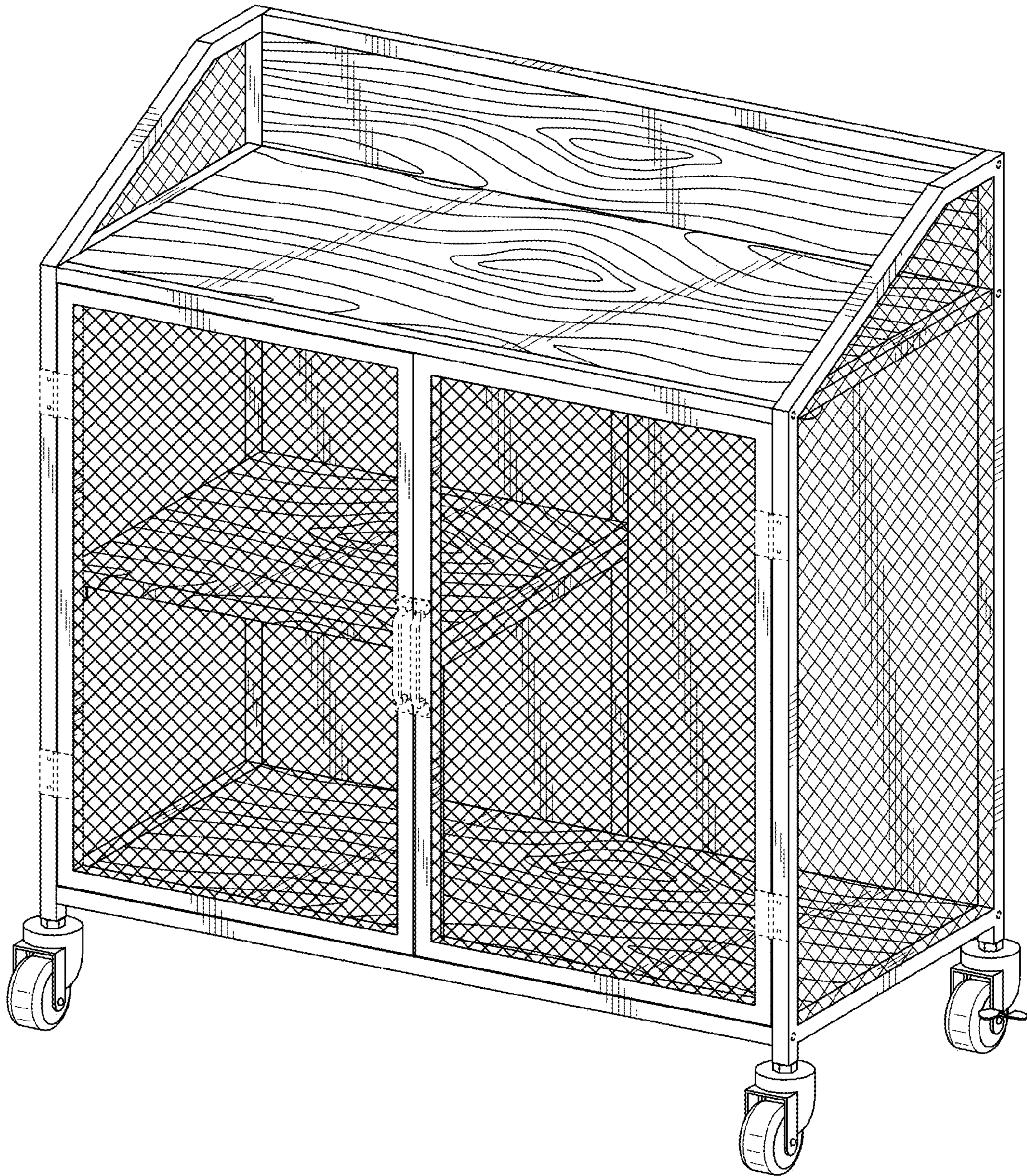


FIG. 1

FIG. 2

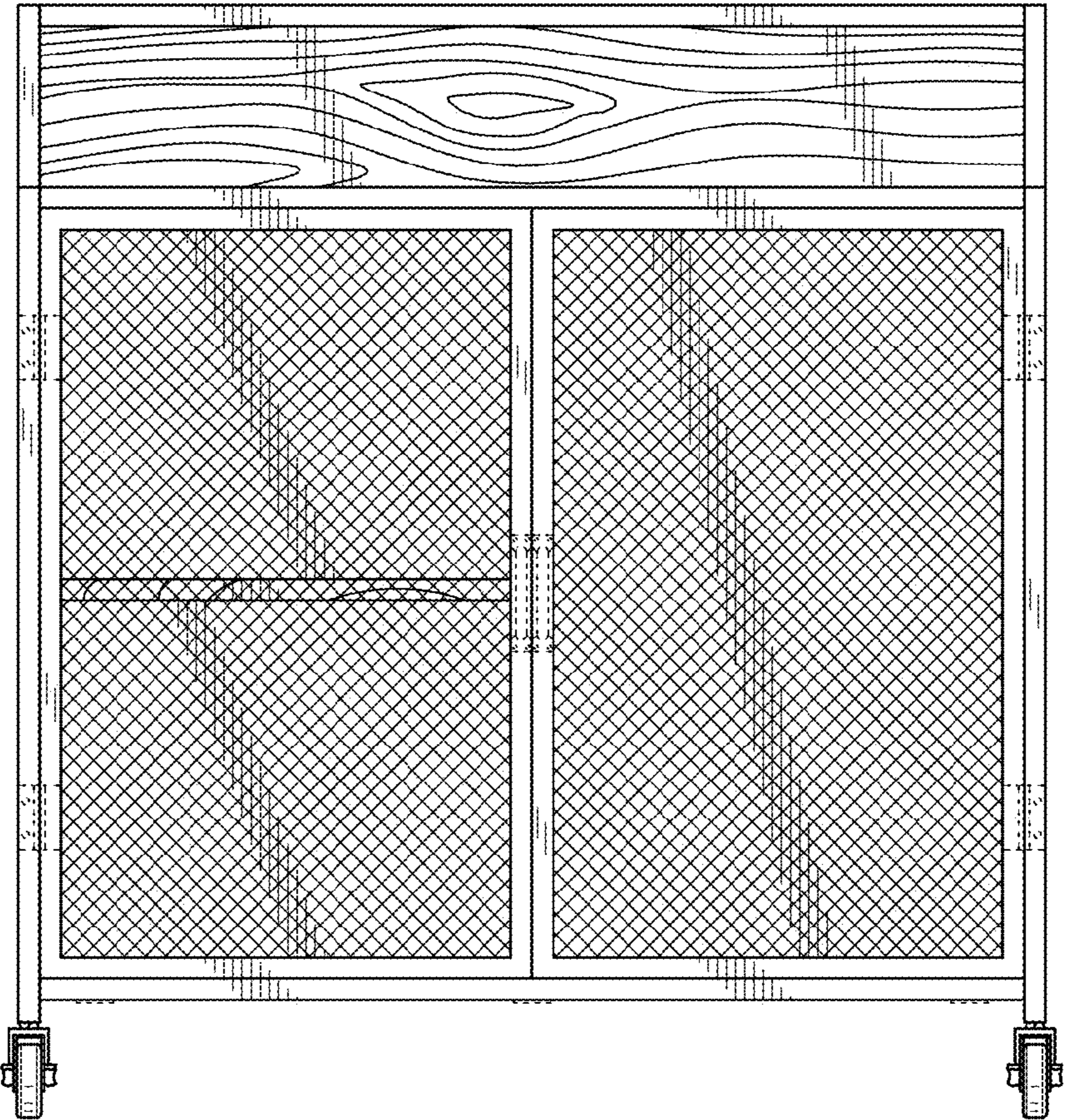
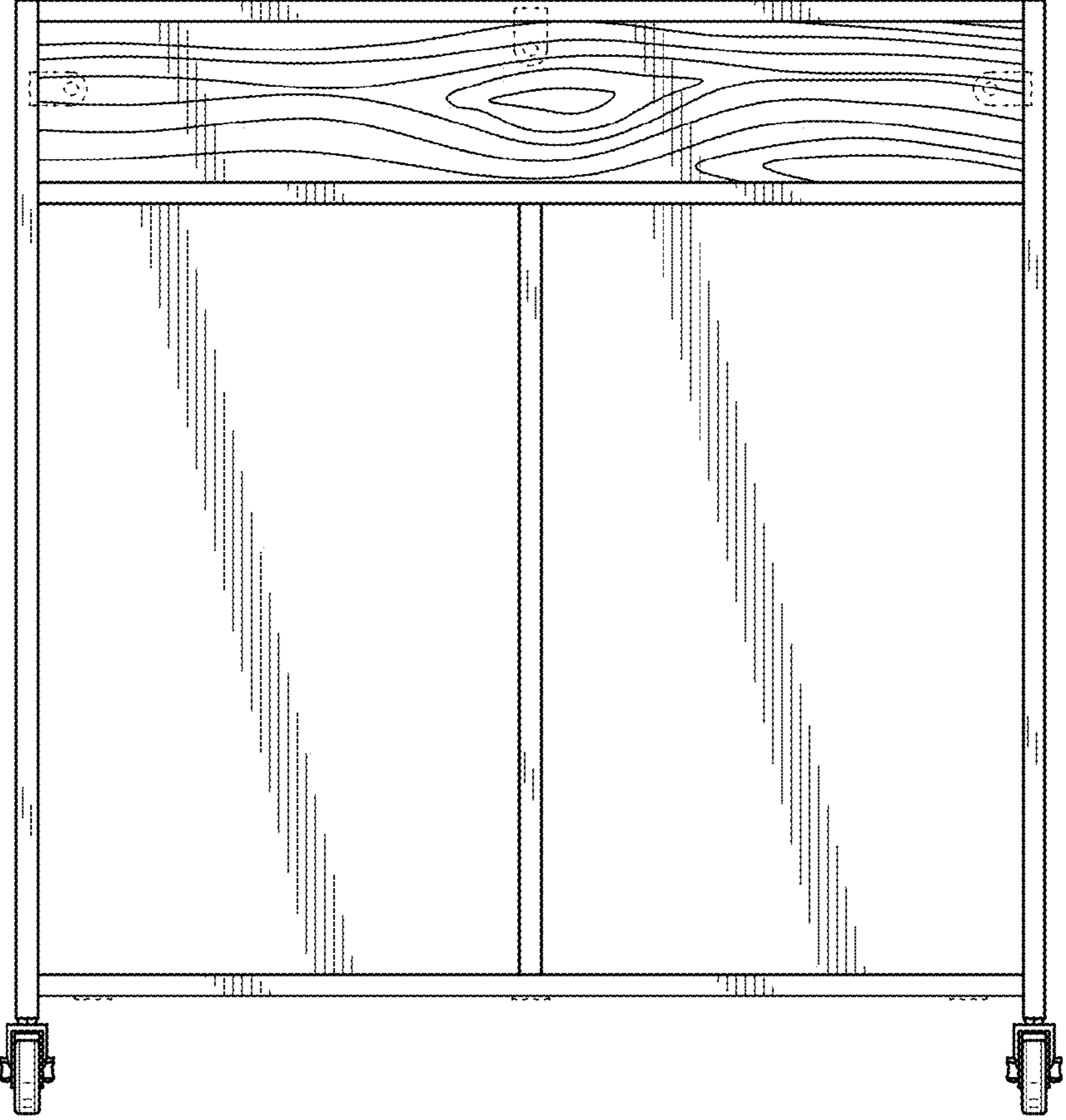


FIG. 3



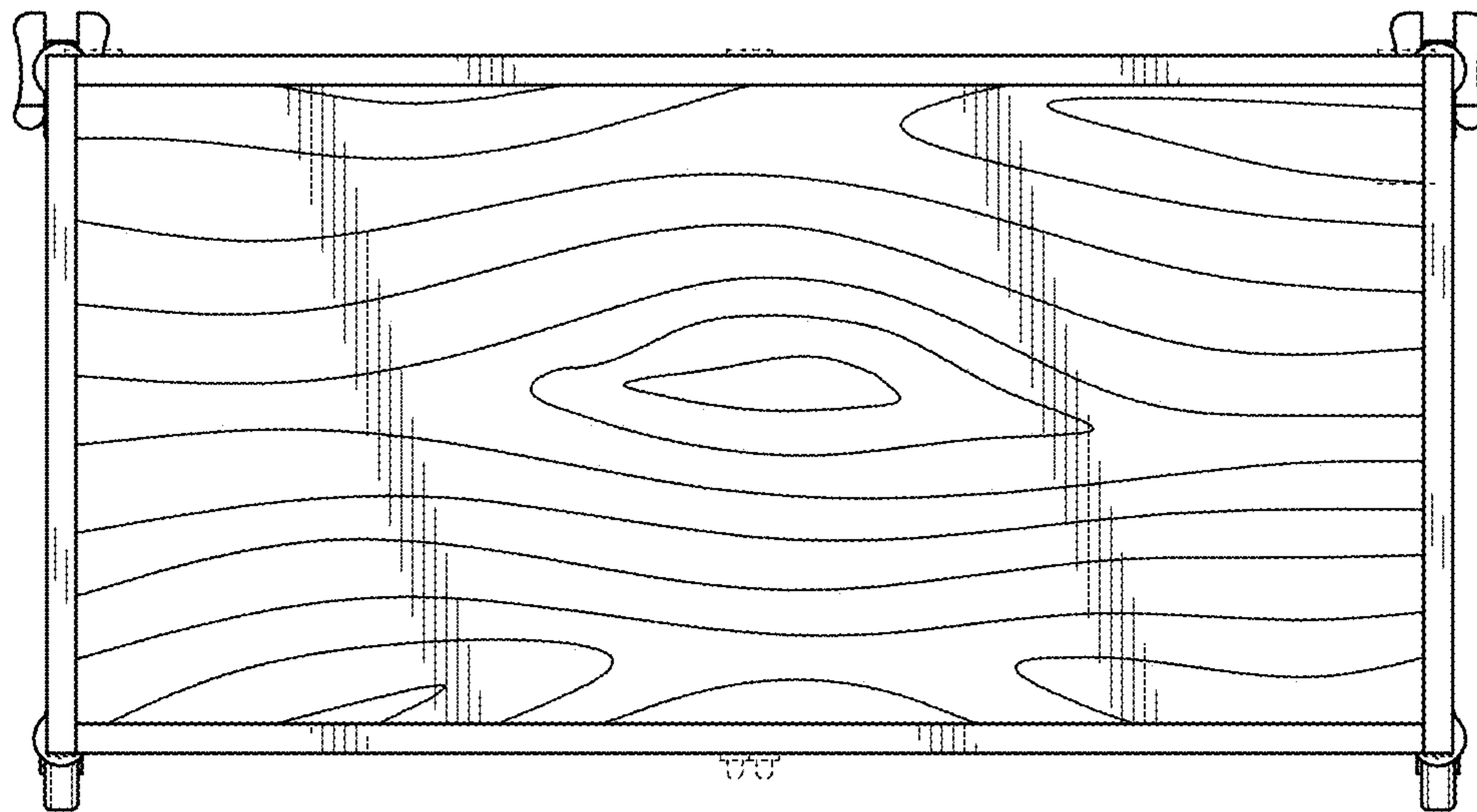


FIG. 4

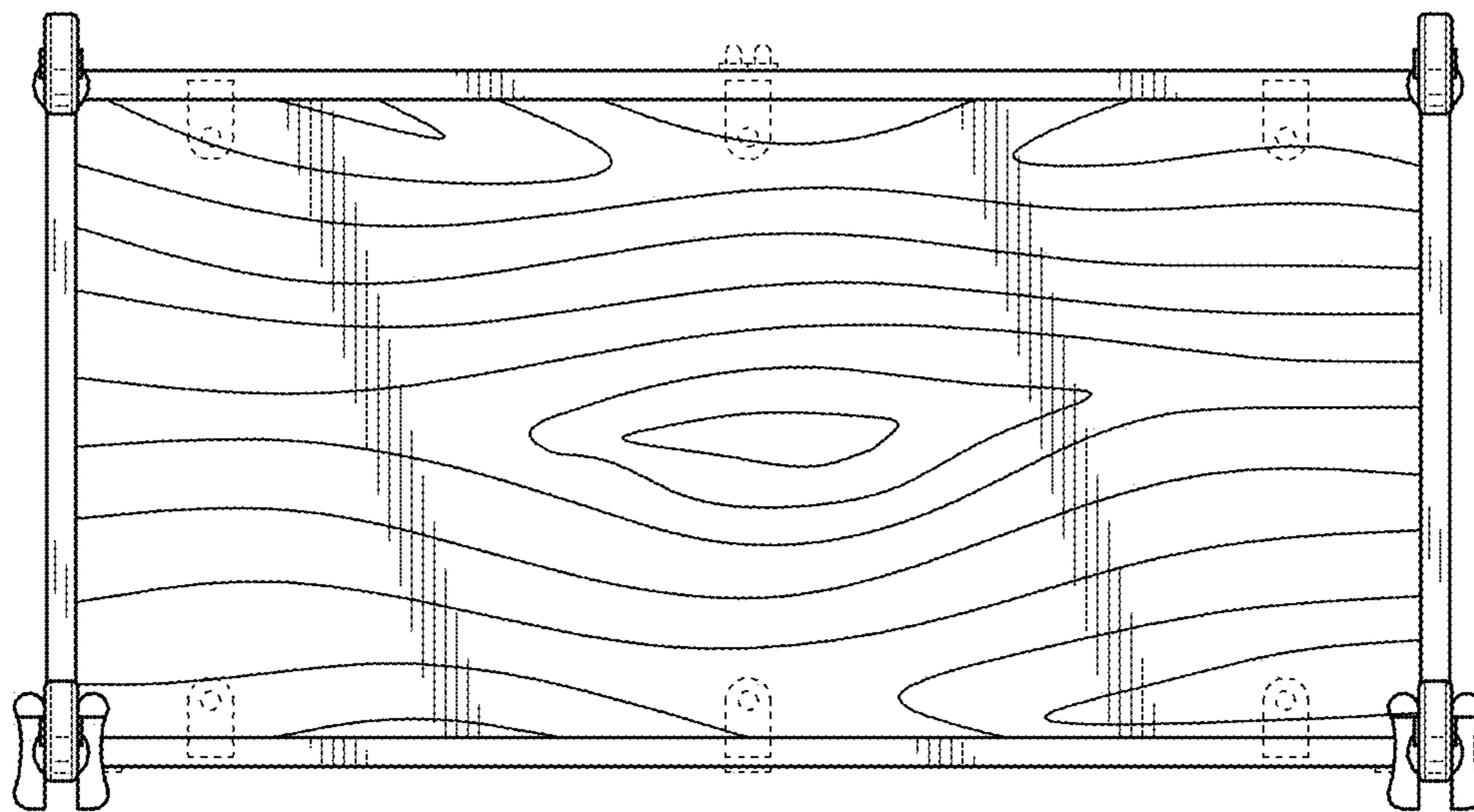


FIG. 5

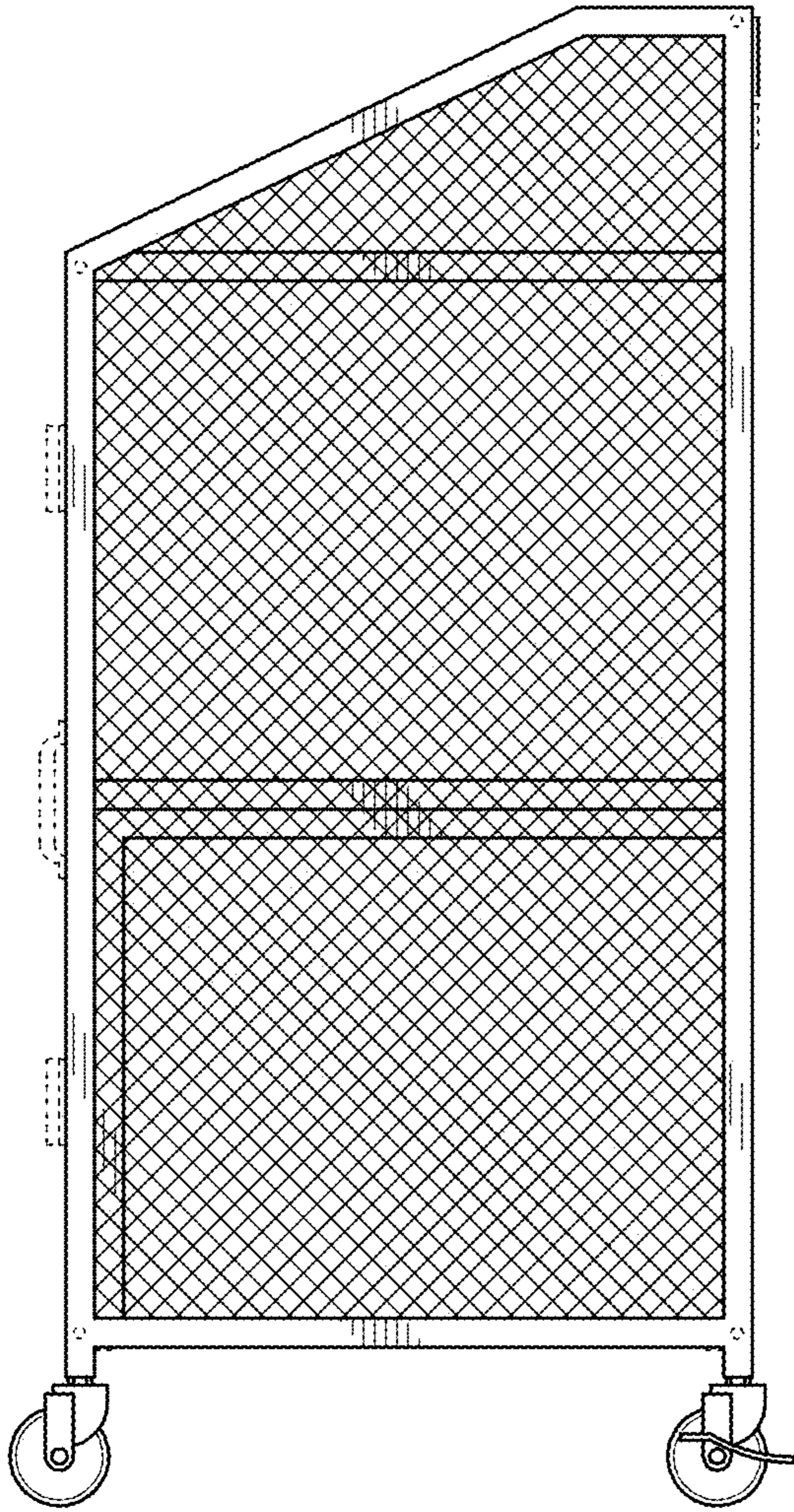


FIG. 6

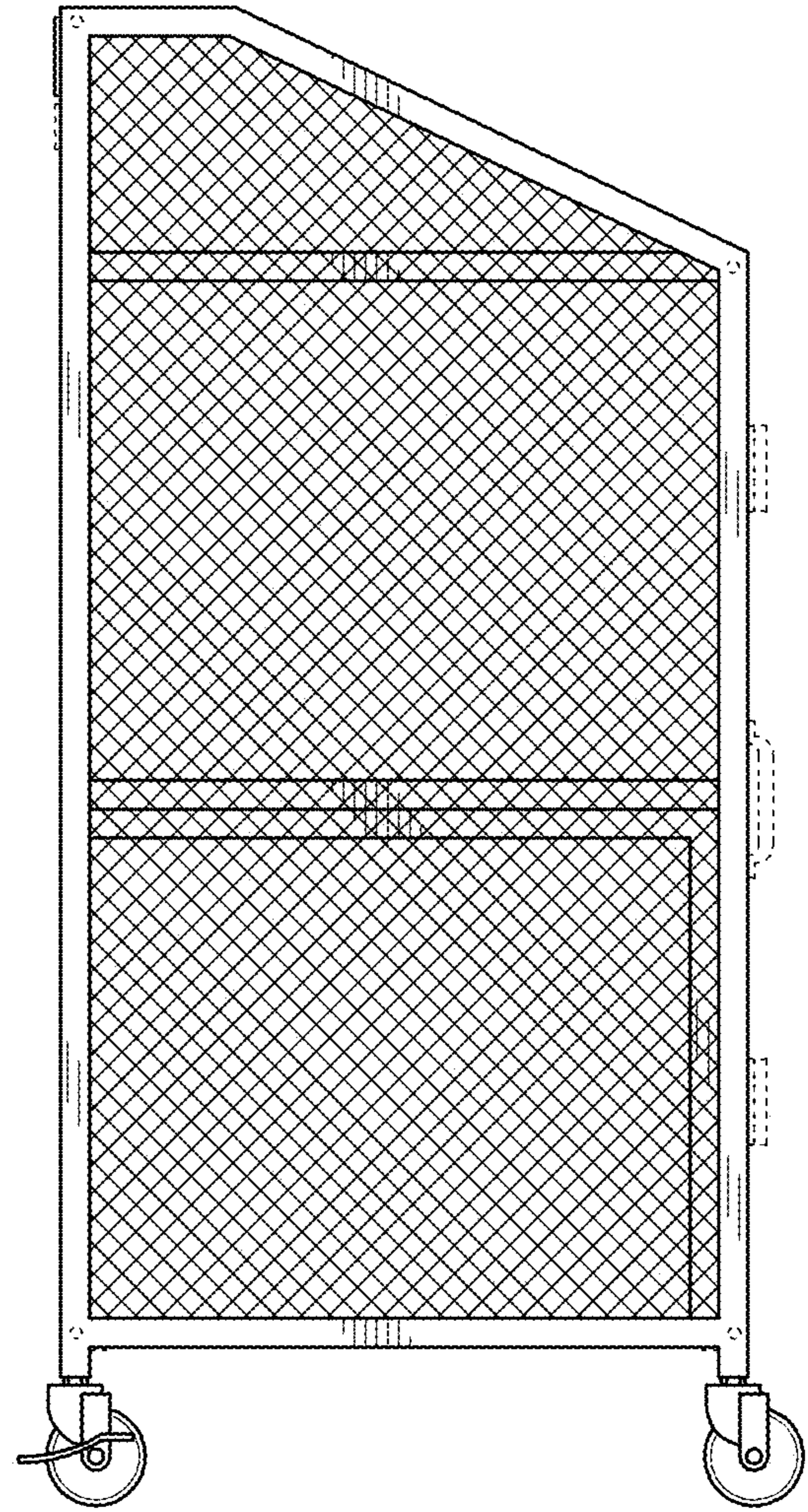


FIG. 7