



US00D908401S

(12) **United States Design Patent**
Jenkins

(10) **Patent No.:** **US D908,401 S**

(45) **Date of Patent:** **** Jan. 26, 2021**

- (54) **TABLE/DESK**
- (71) Applicant: **Boss Design Limited**, West Midlands (GB)
- (72) Inventor: **Barry Jenkins**, Chichester (GB)
- (73) Assignee: **Boss Design Limited**, West Midlands (GB)
- (**) Term: **15 Years**
- (21) Appl. No.: **29/663,126**
- (22) Filed: **Sep. 12, 2018**
- (51) **LOC (13) Cl.** **06-03**
- (52) **U.S. Cl.**
USPC **D6/656.17; D6/691.6**
- (58) **Field of Classification Search**
USPC D6/641, 642, 656, 656.1, 656.13–656.15, D6/656.19, 685, 686, 691, 691.1–691.9, D6/702, 707.17, 709, 709.2
CPC ... A47L 7/00; A47L 9/00; A47L 13/00; A47L 13/02; A47L 13/04; A47L 13/06; A47L 13/08; A47L 13/10; A47L 17/00; A47L 19/00; A47L 21/00; A47L 2200/0011; A47L 2200/002; A47L 2200/0029; A47L 2200/0035
See application file for complete search history.

- D437,152 S * 2/2001 Brown D6/708
- D489,551 S * 5/2004 Cesaroni D6/656.17
- D512,587 S * 12/2005 Frenkler D6/691.5
- 7,634,968 B2 * 12/2009 Cornelius A47B 3/0803
108/115

(Continued)

Primary Examiner — Mary Ann Calabrese
(74) *Attorney, Agent, or Firm* — Levenfeld Pearlstein, LLC

(57) **CLAIM**

The ornamental design for a table/desk, as shown and described.

DESCRIPTION

FIG. 1 is a top, left side perspective view of a table/desk showing of my new design;
 FIG. 2 is a front view thereof, the rear view being identical thereto;
 FIG. 3 is a left side view thereof, the right side being identical thereto;
 FIG. 4 is a top view thereof;
 FIG. 5 is a bottom view thereof;
 FIG. 6 is an exploded top, left side perspective view;
 FIG. 7 is a bottom, right side perspective view;
 FIG. 8 is a top, left side perspective view thereof shown in an alternative raised position of use;
 FIG. 9 is a front view thereof, the rear view being identical thereto;
 FIG. 10 is a left side view thereof, the right-hand side being identical thereto;
 FIG. 11 is a top view thereof; and,
 FIG. 12 is a bottom view thereof.

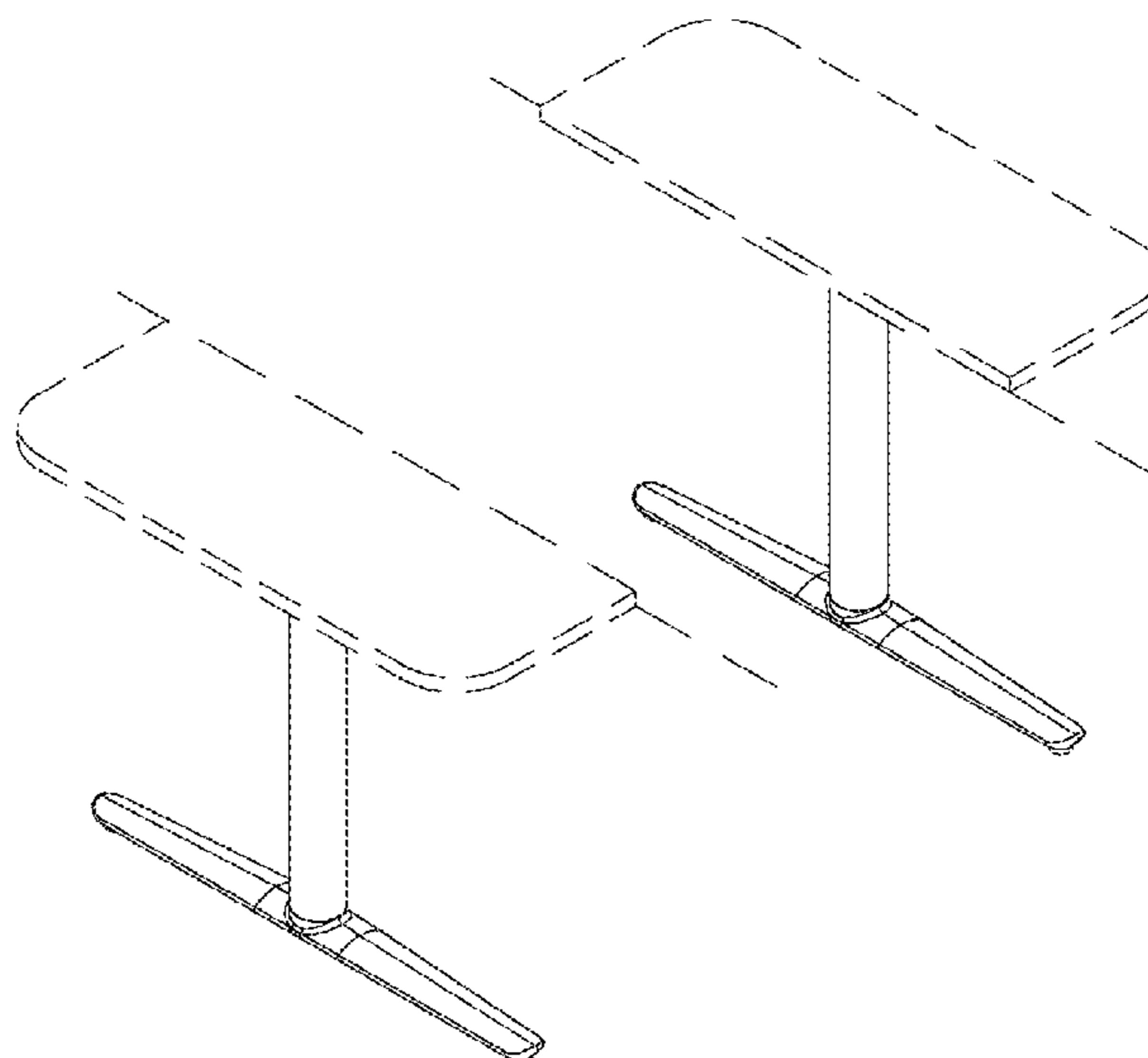
The broken lines in the drawings show portions of the table/desk that form no part of the claimed design. The table/desk is shown with a symbolic break line in its length. The appearance of any portion of the table/desk between the break lines forms no part of the claimed design.

(56) **References Cited**

U.S. PATENT DOCUMENTS

- 2,805,906 A * 9/1957 Humphries A47B 3/0815
108/129
- 4,444,124 A * 4/1984 Burr A47B 3/0918
108/131
- 4,515,087 A * 5/1985 Kurrasch A47B 9/00
108/147
- 4,573,415 A * 3/1986 Ramey A47B 3/0815
108/129
- D299,798 S * 2/1989 Sottsas A47B 9/00
D6/656.16

1 Claim, 12 Drawing Sheets



(56)

References Cited

U.S. PATENT DOCUMENTS

D675,042 S * 1/2013 Mecherle A47B 3/0818
D6/691
D721,244 S * 1/2015 Mueller D6/709
9,538,839 B2 * 1/2017 Favaro A47B 3/0818
D843,136 S * 3/2019 Ezure D6/643
2003/0075084 A1 * 4/2003 Risdall A47B 17/00
108/147.21
2009/0078167 A1 * 3/2009 Ellegaard A47B 9/00
108/21
2019/0029413 A1 * 1/2019 Patton A47B 9/20

* cited by examiner

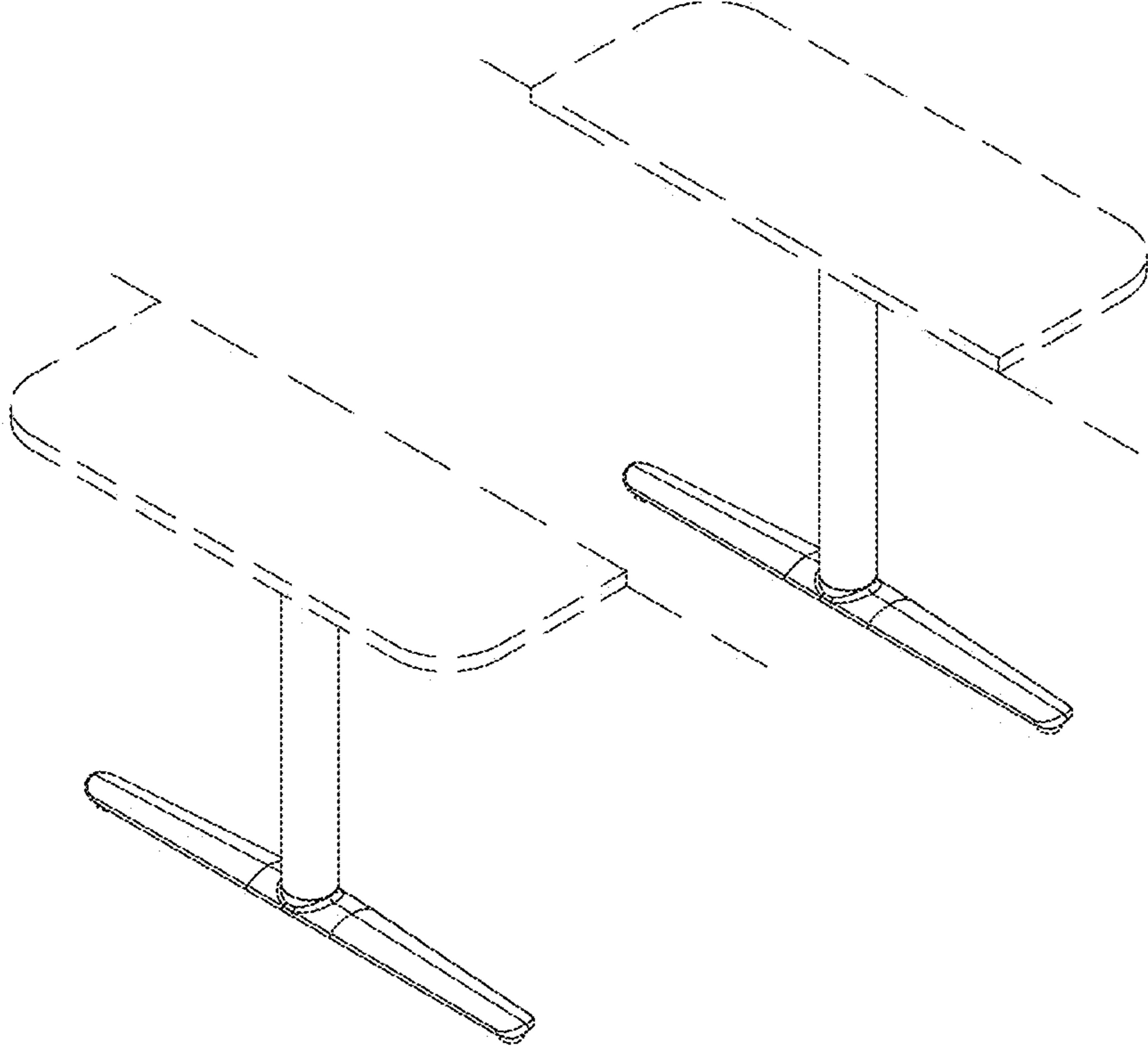


FIG. 1

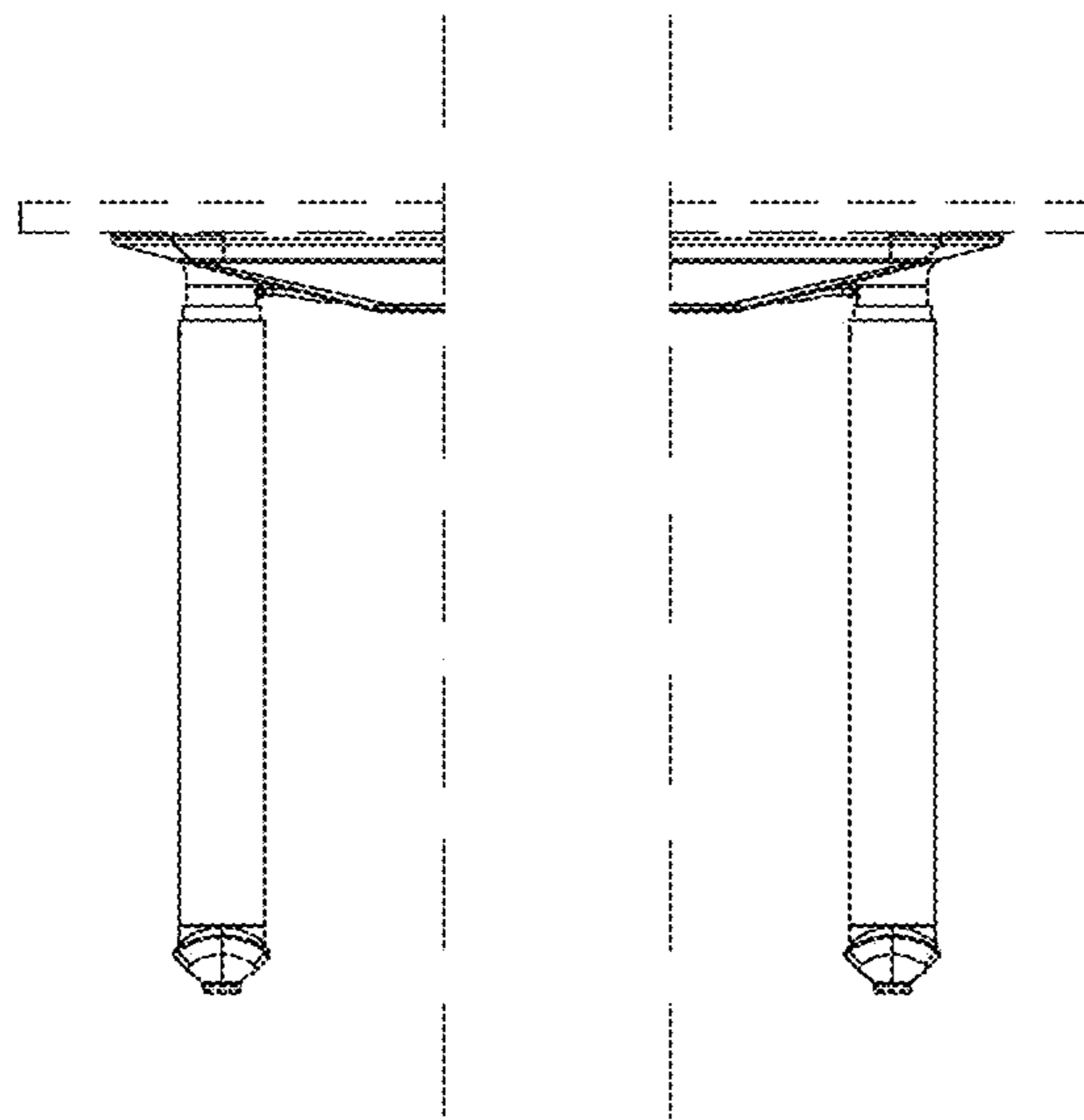


FIG. 2

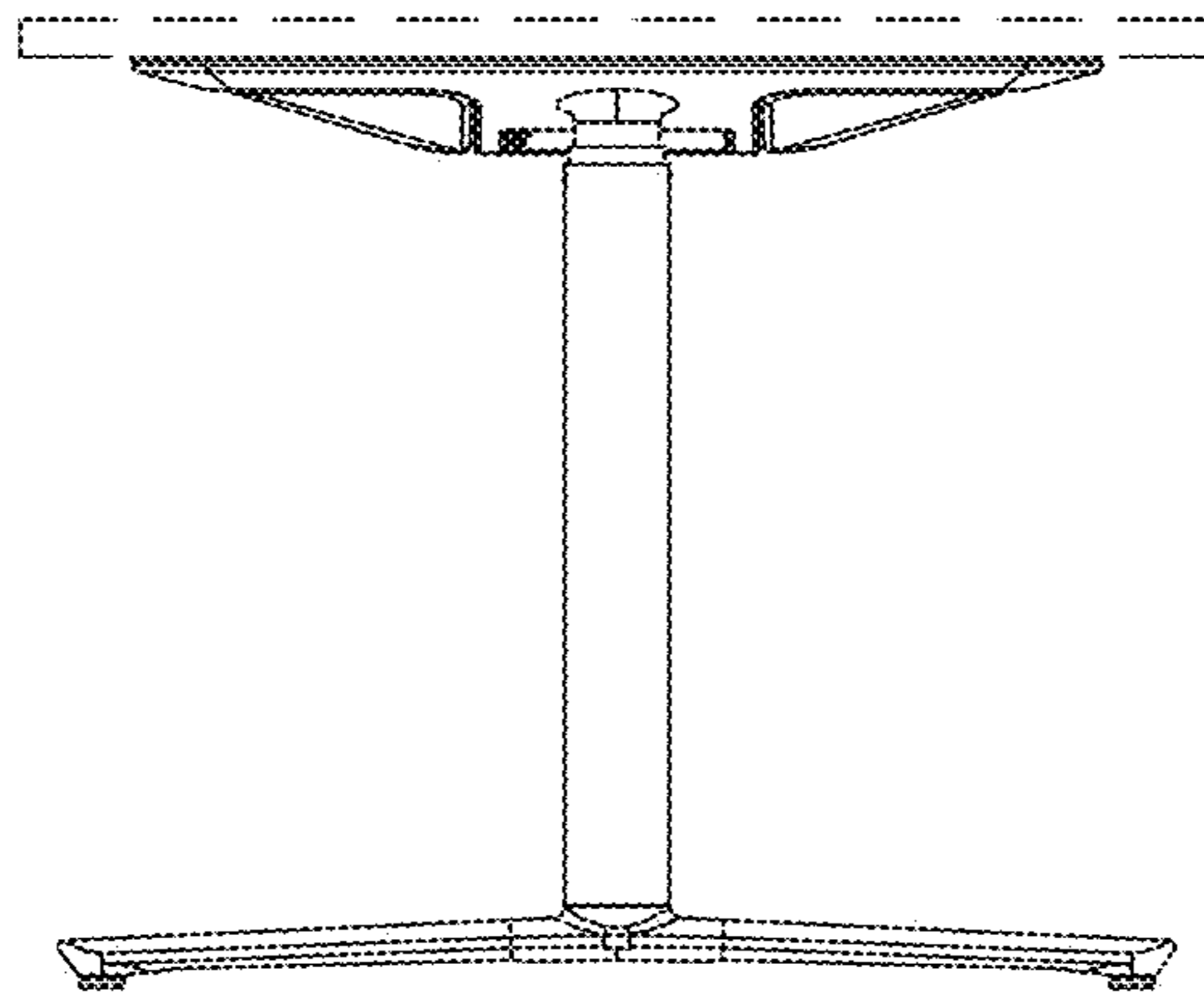


FIG. 3

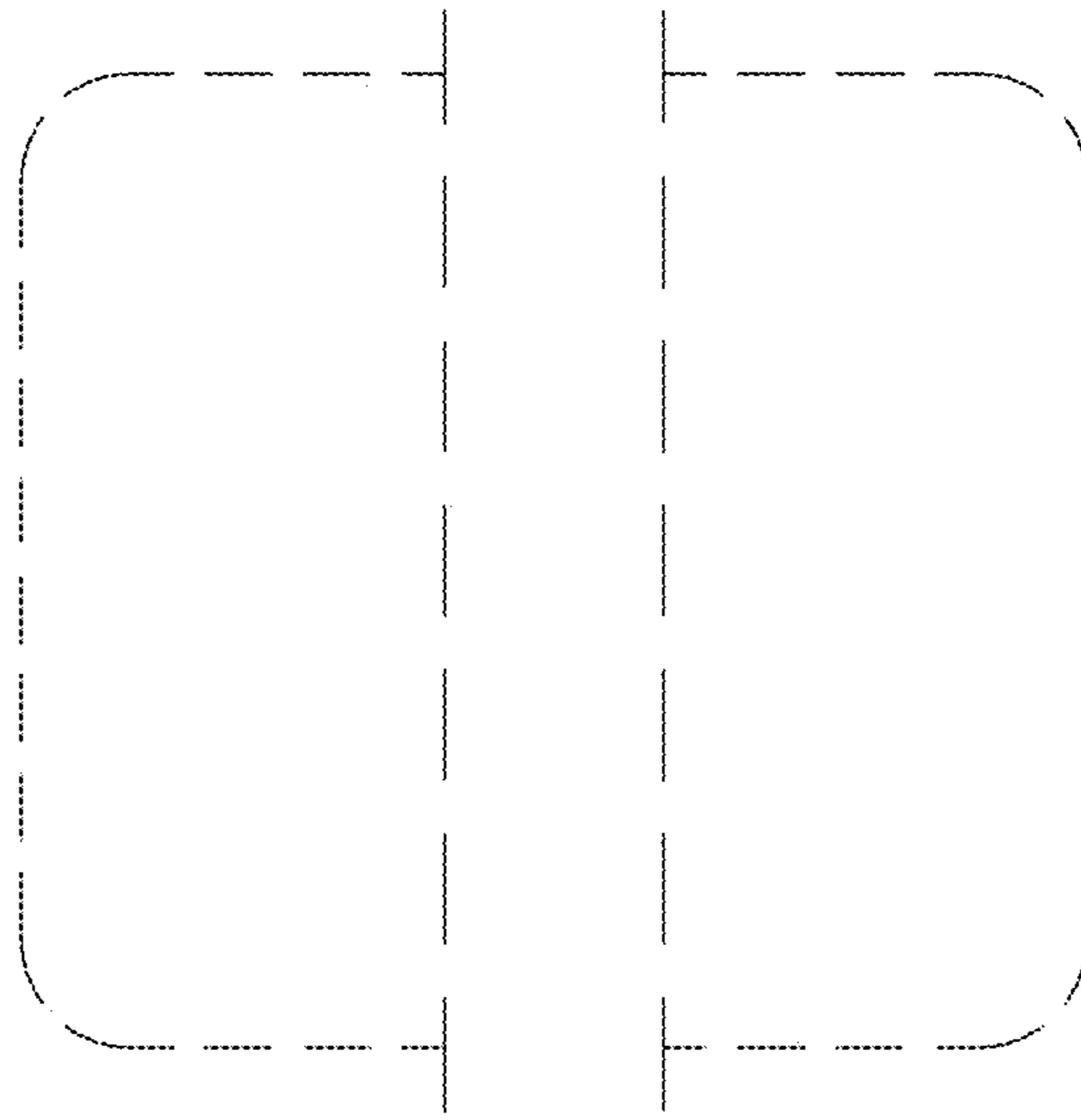


FIG. 4

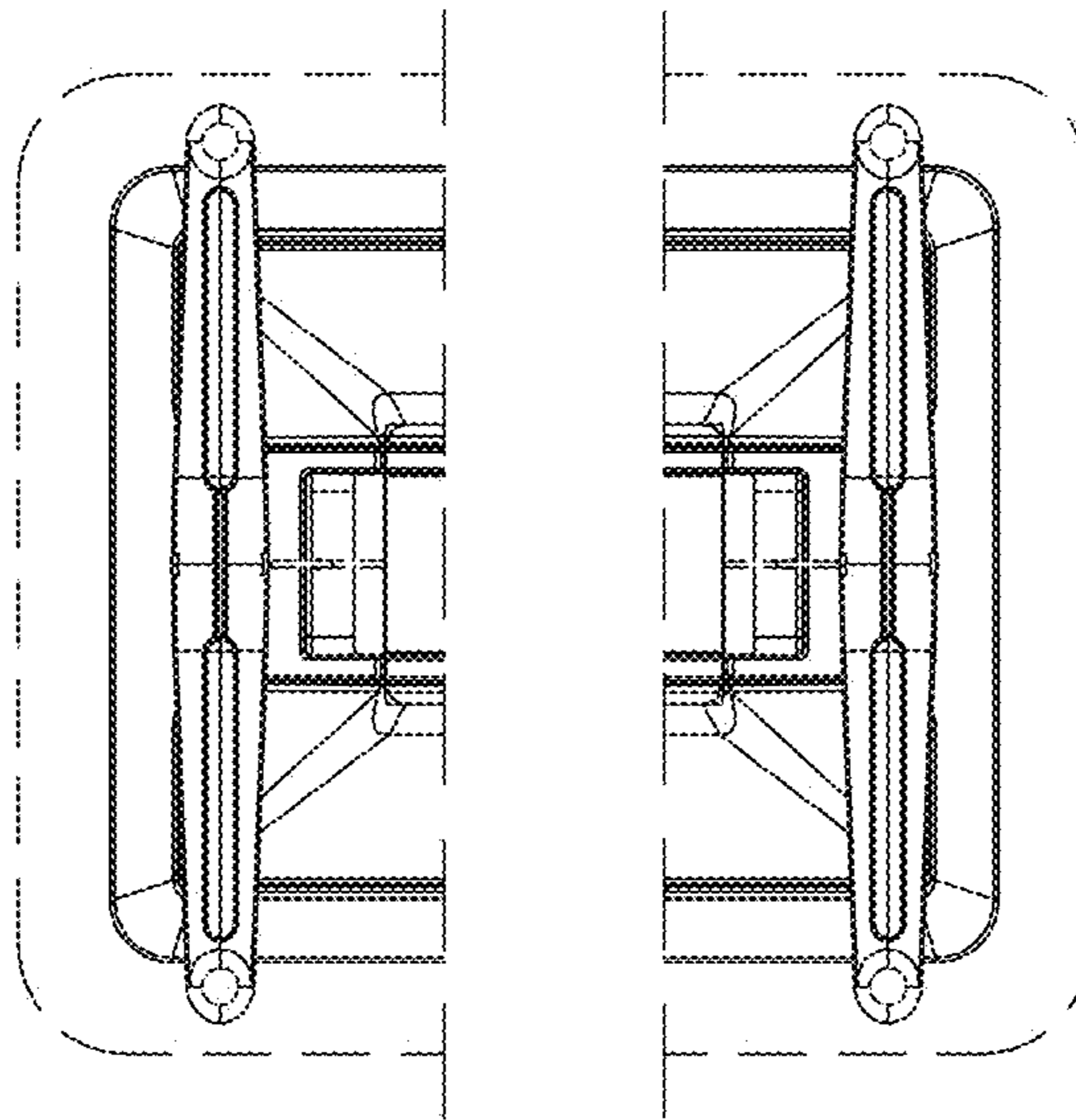


FIG. 5

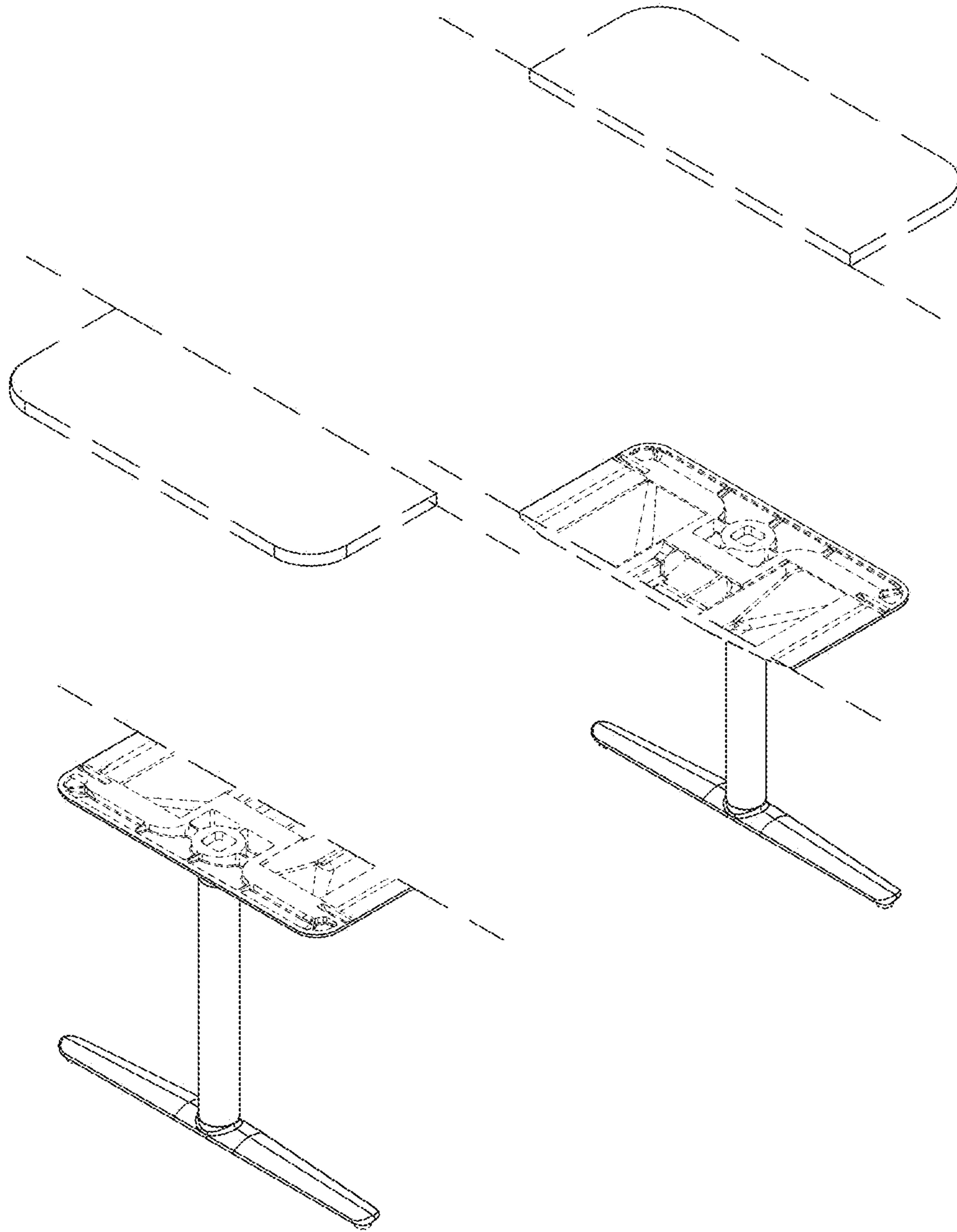


FIG. 6

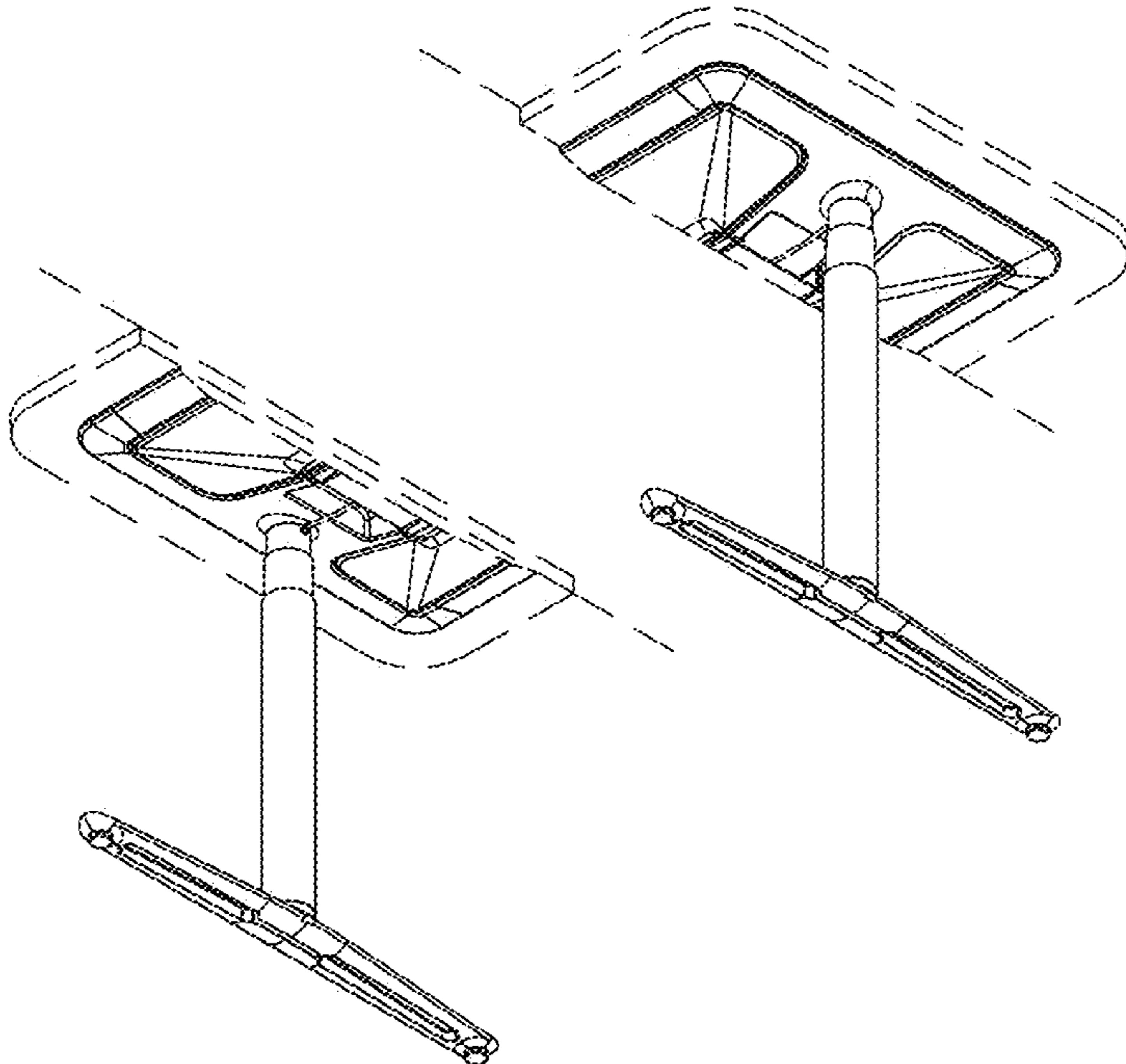


FIG. 7

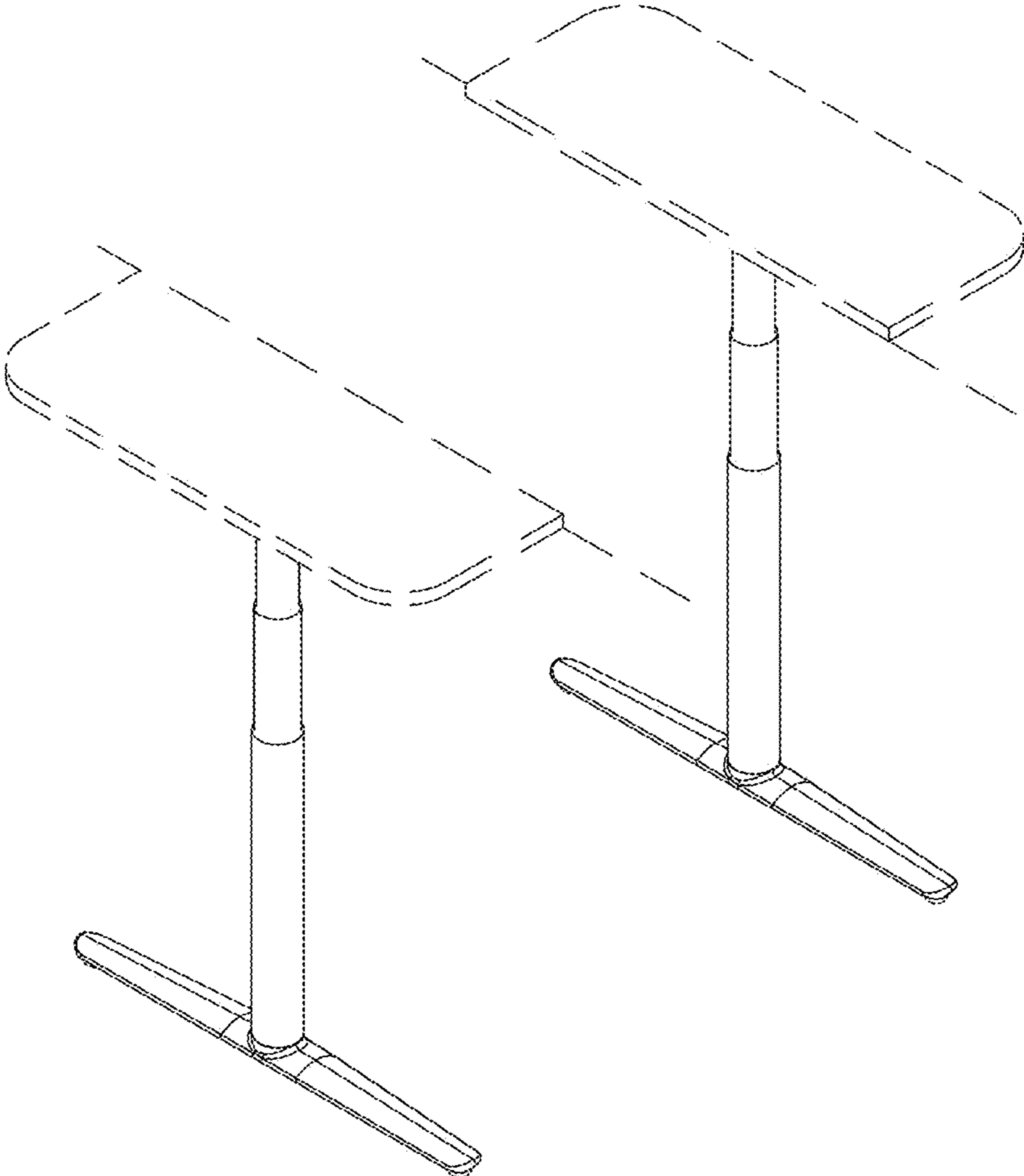


FIG. 8

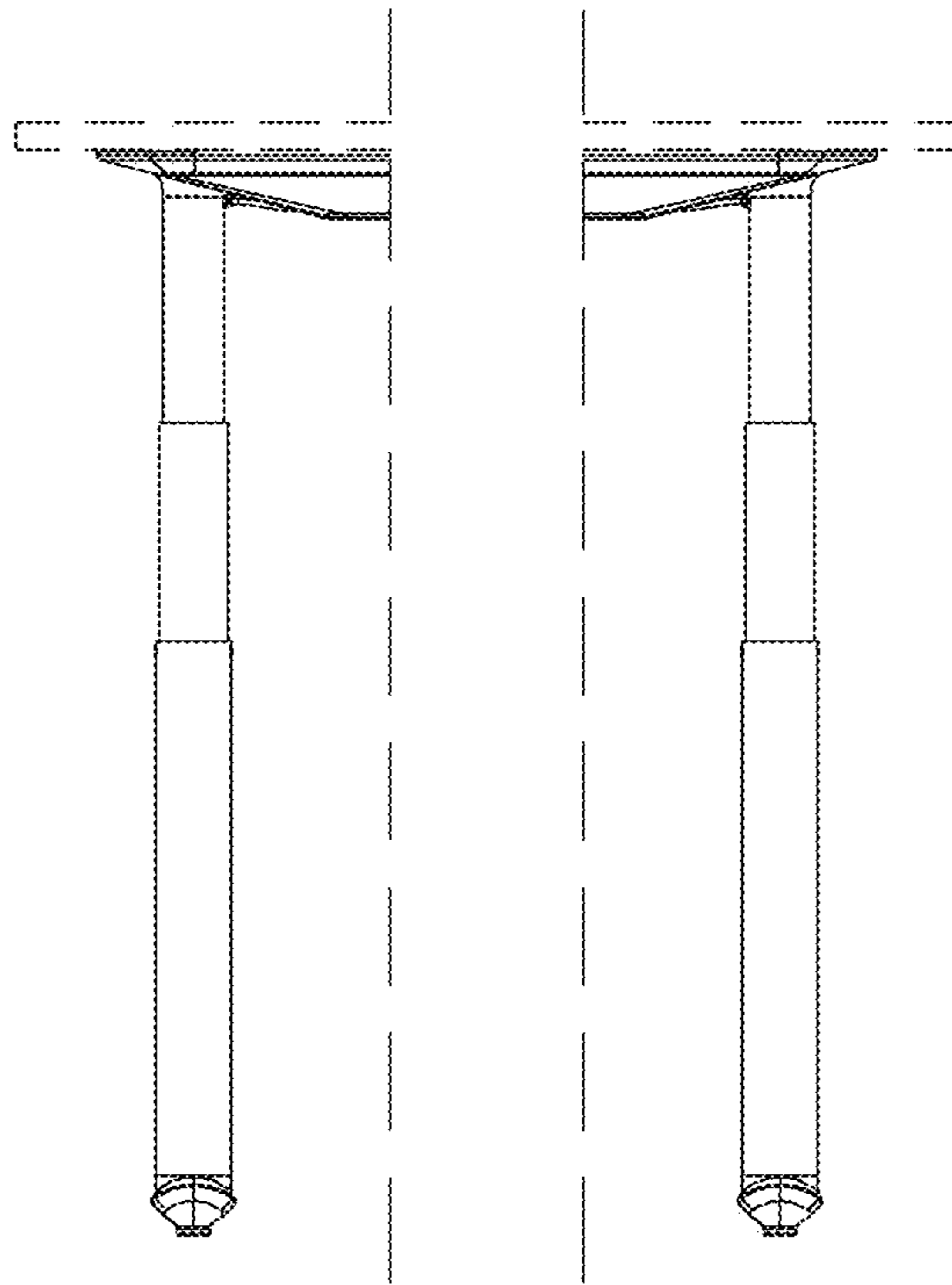


FIG. 9

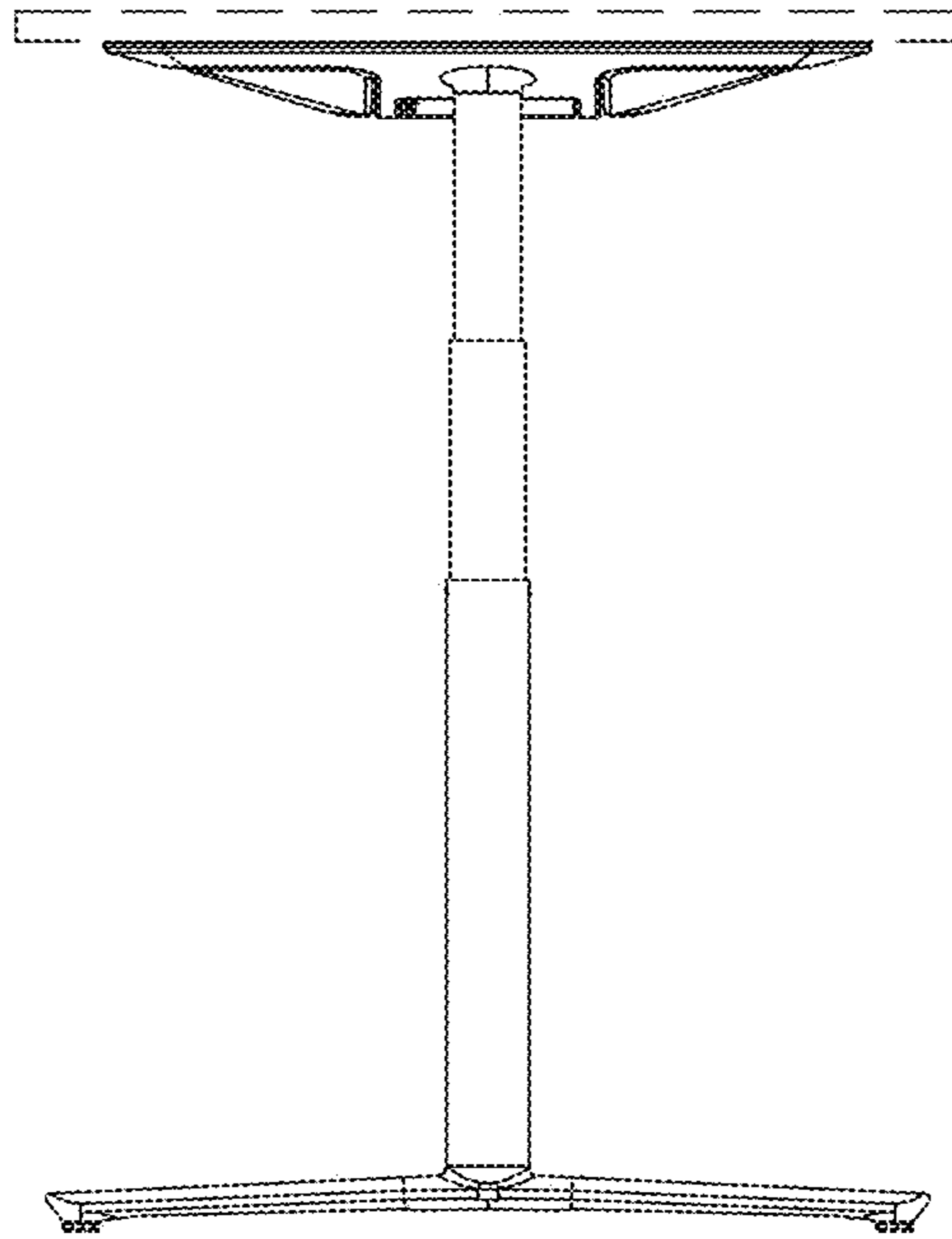


FIG. 10

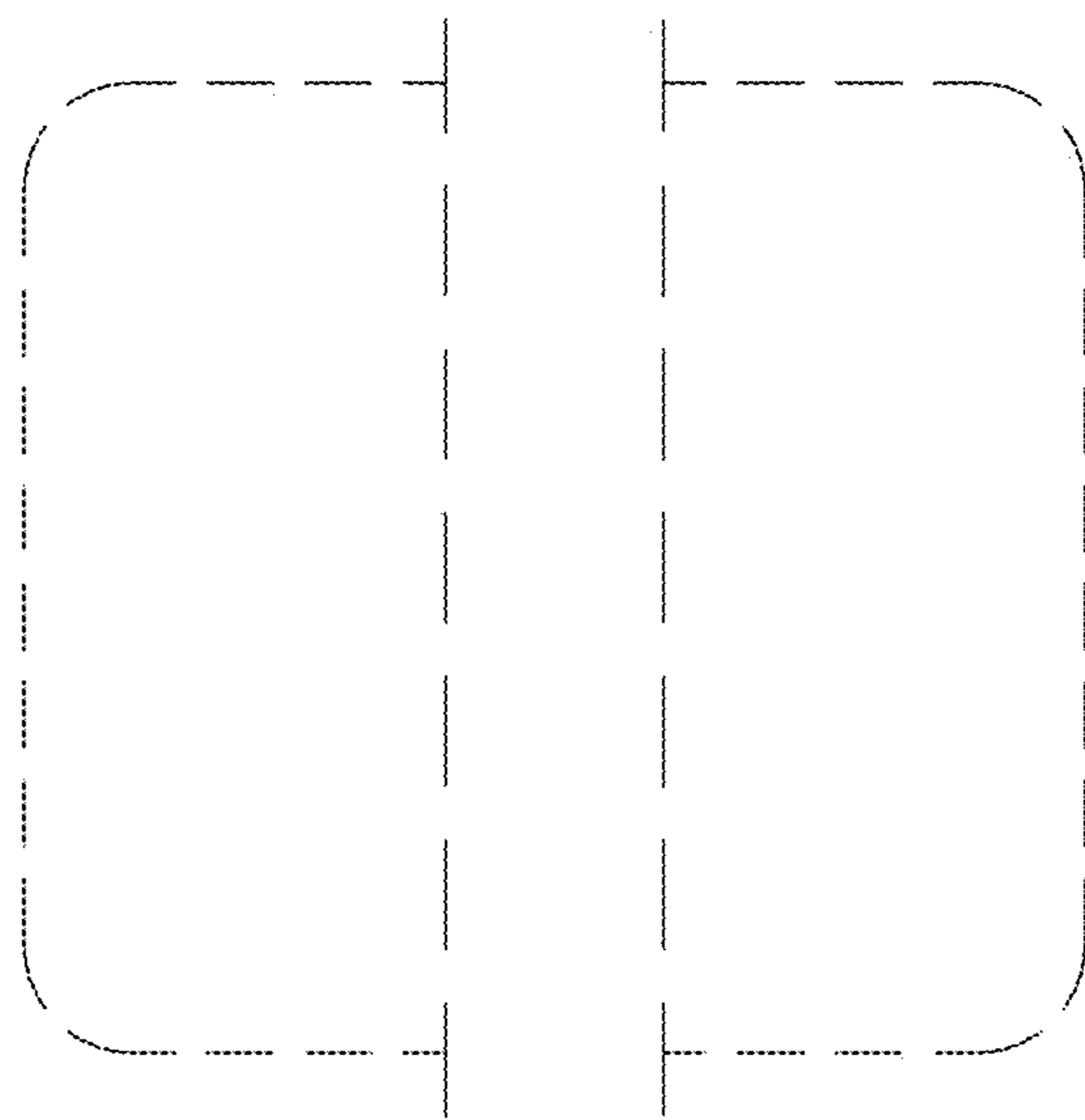


FIG. 11

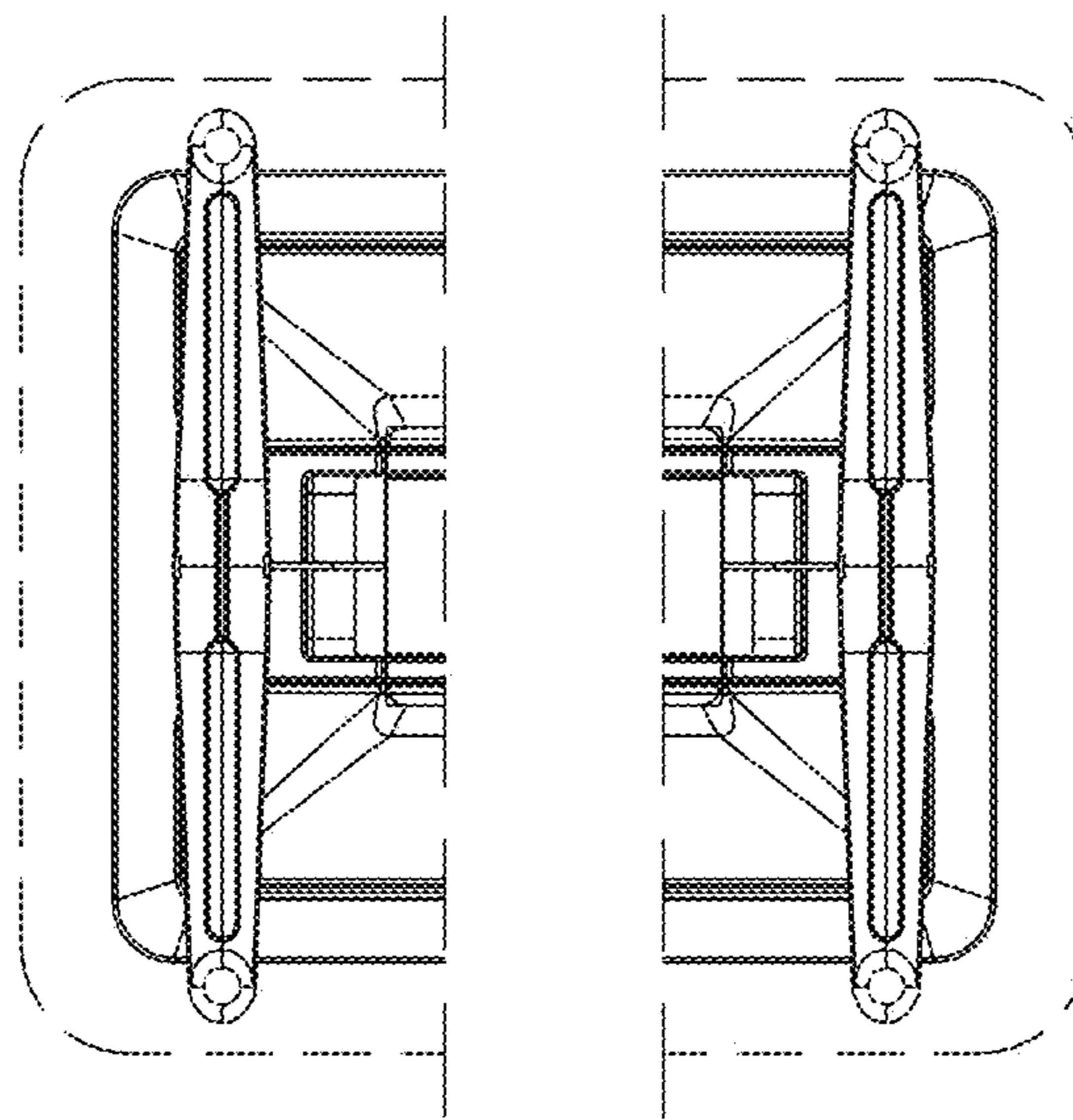


FIG. 12