



US00D908400S

(12) **United States Design Patent** (10) **Patent No.:** **US D908,400 S**
Wu (45) **Date of Patent:** **** Jan. 26, 2021**

- (54) **OFFICE DESK**
- (71) Applicant: **Wudi Industrial (Shanghai) Co., Ltd.**,
Shanghai (CN)
- (72) Inventor: **Peng Wu**, Shanghai (CN)
- (73) Assignee: **WUDI INDUSTRIAL (SHANGHAI)
CO., LTD.**, Shanghai (CN)
- (**) Term: **15 Years**
- (21) Appl. No.: **29/735,229**
- (22) Filed: **May 19, 2020**
- (51) **LOC (13) Cl.** **06-03**
- (52) **U.S. Cl.**
USPC **D6/656**
- (58) **Field of Classification Search**
USPC D6/641, 642, 656, 656.13, 656.14,
D6/656.16, 685, 686, 691, 691.1–691.9
CPC A47B 7/00; A47B 13/00; A47B 13/02;
A47B 13/04; A47B 13/06; A47B 13/08;
A47B 13/12; A47B 17/00; A47B 17/003;
A47B 17/006; A47B 21/00; A47B
2200/0001; A47B 2200/001; A47B
2200/0011; A47B 2200/0012; A47B
2200/002; A47B 2200/0066
See application file for complete search history.

(56) **References Cited**

U.S. PATENT DOCUMENTS

3,187,693	A *	6/1965	Hamilton	F16B 12/30 108/157.13
D220,704	S *	5/1971	Kramer	D6/691.8
D228,107	S *	8/1973	Klotz et al.	D6/691.6
D244,114	S *	4/1977	Neff	D6/691.8
D264,291	S	5/1982	Haigh		
4,333,638	A *	6/1982	Gillotti	A47B 3/087 5/613
D503,570	S *	4/2005	Anderson	D6/349
D845,679	S *	4/2019	Li	D6/656
D878,814	S *	3/2020	Peng	A47B 3/087 D6/656

D886,499	S *	6/2020	Davis	D6/691.9
D889,168	S *	7/2020	Li	D6/656
D889,169	S *	7/2020	Hu	D6/656.16

OTHER PUBLICATIONS

Silver Orchid Serra High Gloss Modern Desk—Realsimple Shop
<https://www.realsimple.com/shop/silver-orchid-silver-orchid-serra-high-gloss-modern-desk-white-silver-p63a913cf0defcf162da066dae9c8786a.html> retrieved from the internet on Sep. 22, 2020.*

* cited by examiner

Primary Examiner — Mary Ann Calabrese

(74) *Attorney, Agent, or Firm* — Frank Gao, Esq.

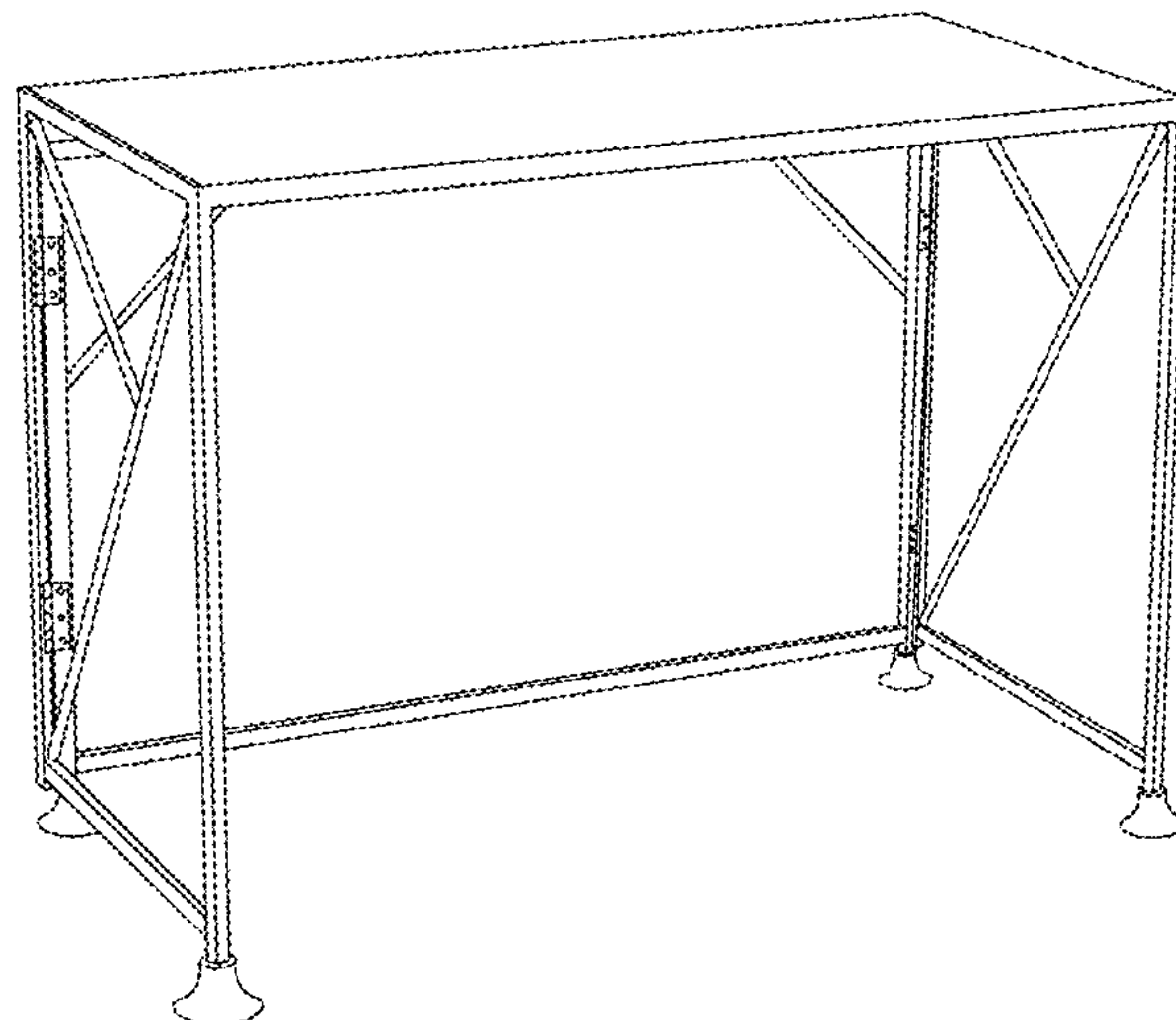
(57) **CLAIM**

The ornamental design for an office desk, as shown and described.

DESCRIPTION

FIG. 1 is a front elevational view of an office desk showing our new design;
 FIG. 2 is a right side elevational view of the configuration as shown in FIG. 1;
 FIG. 3 is a rear elevational view of the configuration as shown in FIG. 1;
 FIG. 4 is a left side elevational view of the configuration as shown in FIG. 1;
 FIG. 5 is a top plan view of the configuration as shown in FIG. 1;
 FIG. 6 is a bottom plan view of the configuration as shown in FIG. 1;
 FIG. 7 is a left front perspective view of the configuration as shown in FIG. 1; and,
 FIG. 8 is a right front perspective view of the configuration as shown in FIG. 1.
 In the drawings, the broken lines show portions of the office desk that forms no part of the claimed design.

1 Claim, 8 Drawing Sheets



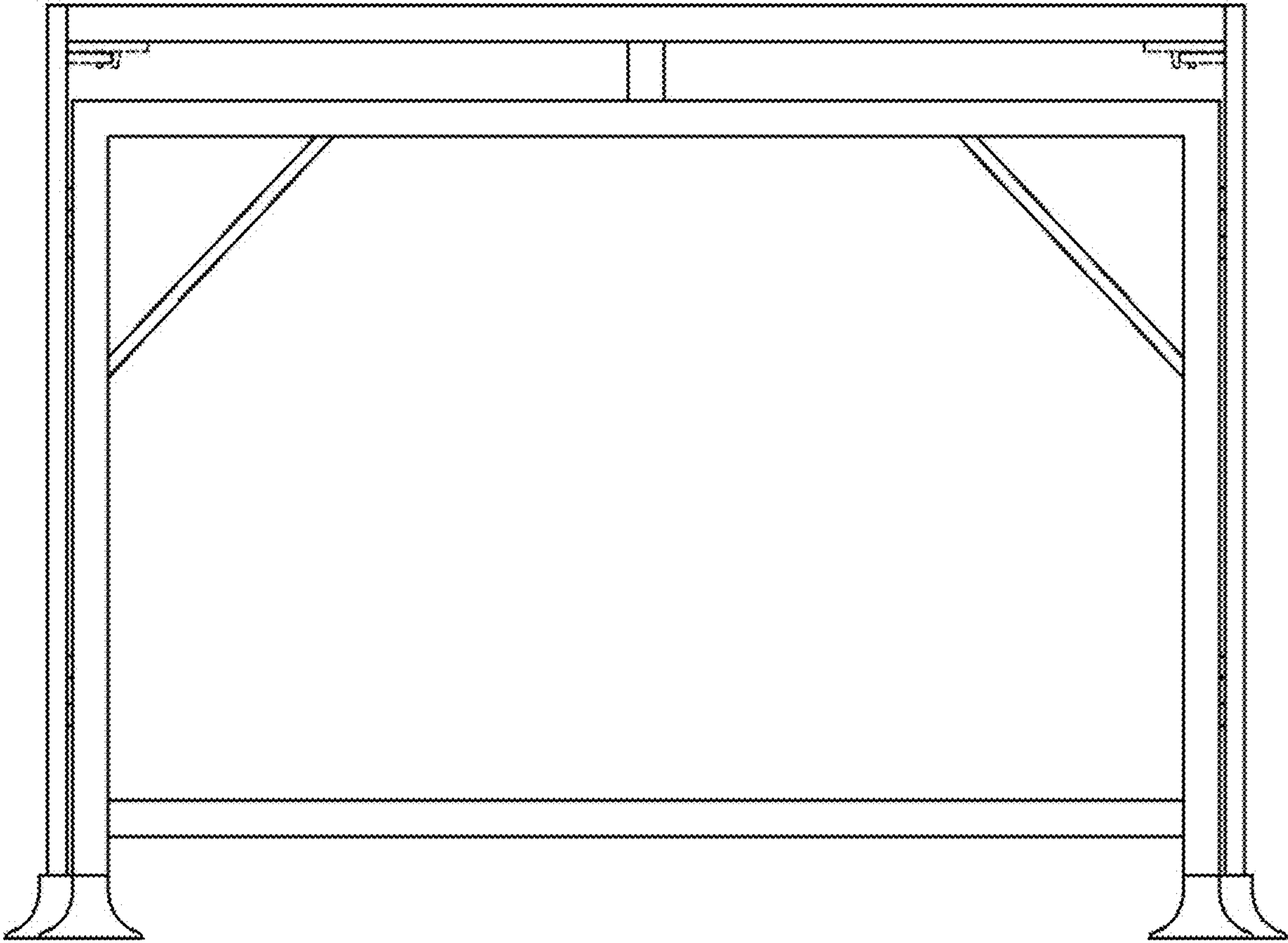


FIG. 1

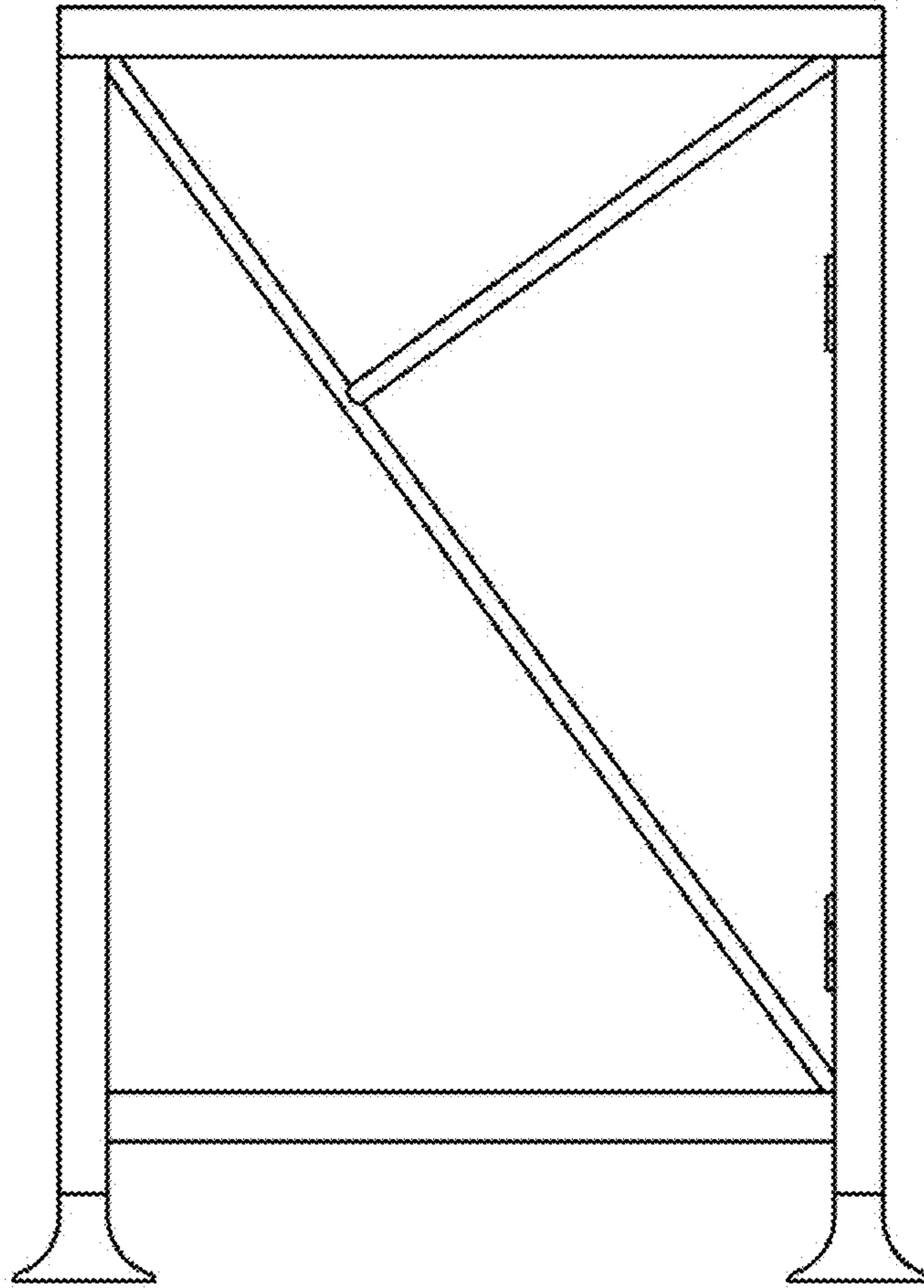


FIG. 2

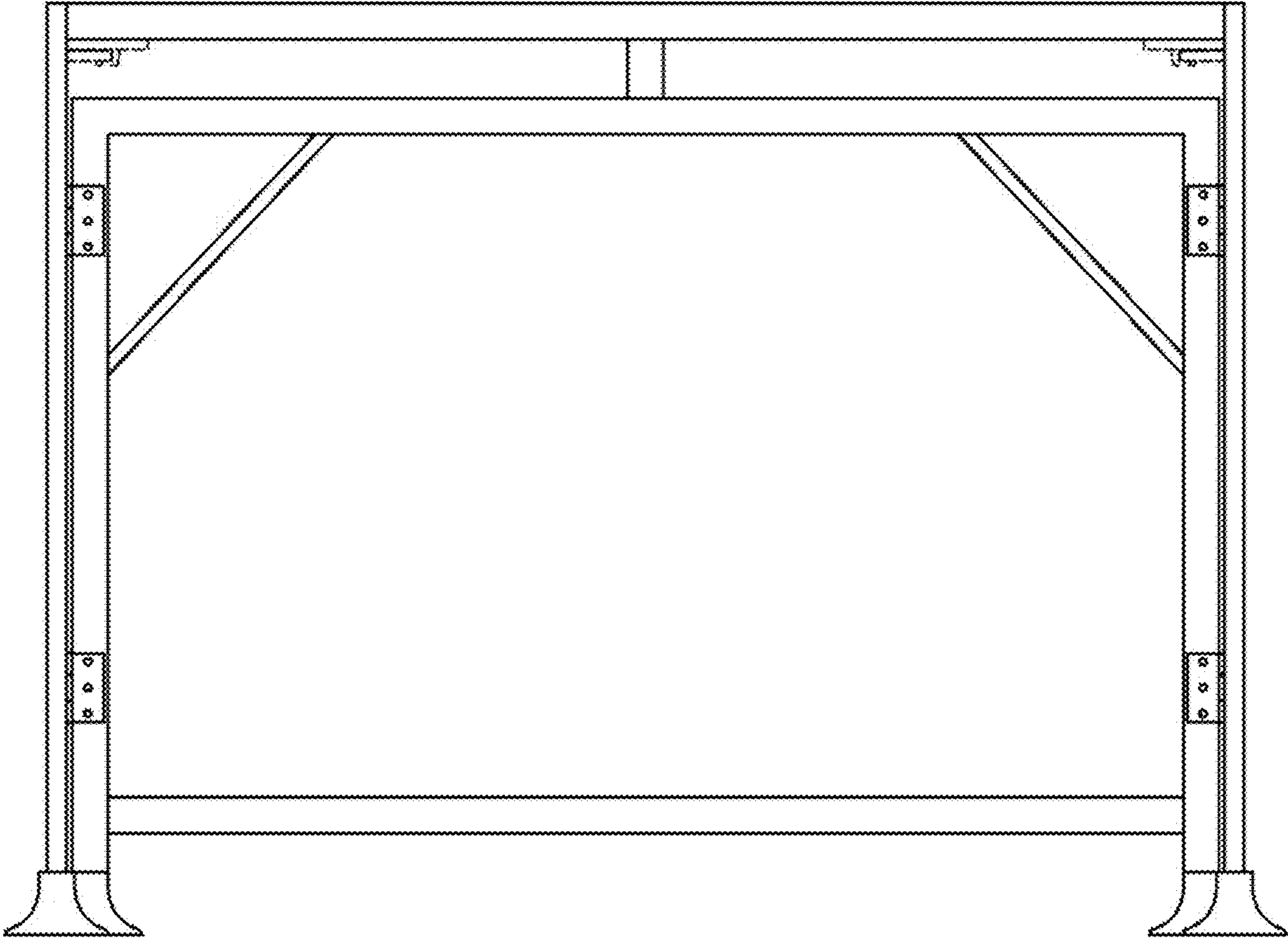


FIG. 3

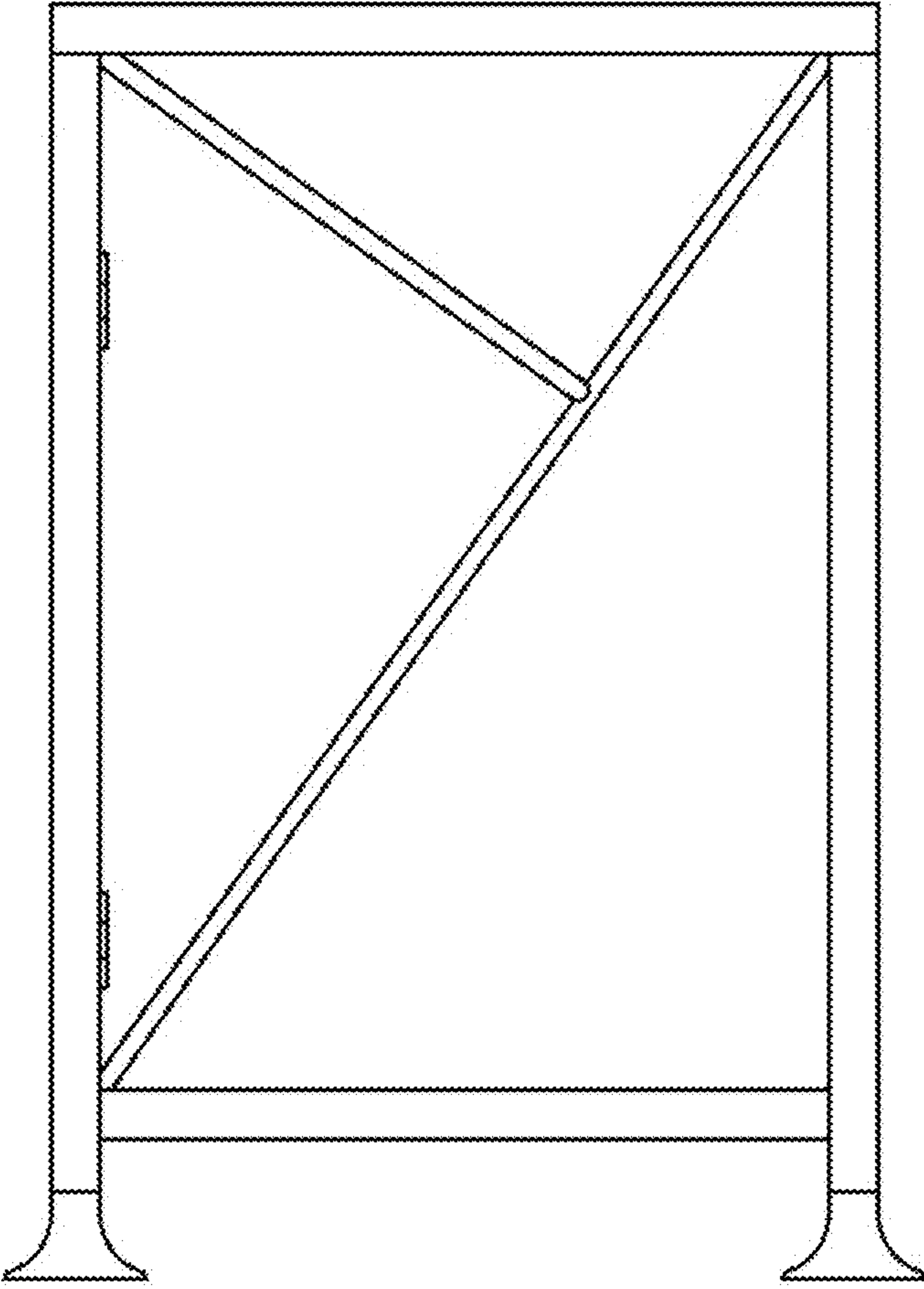


FIG. 4

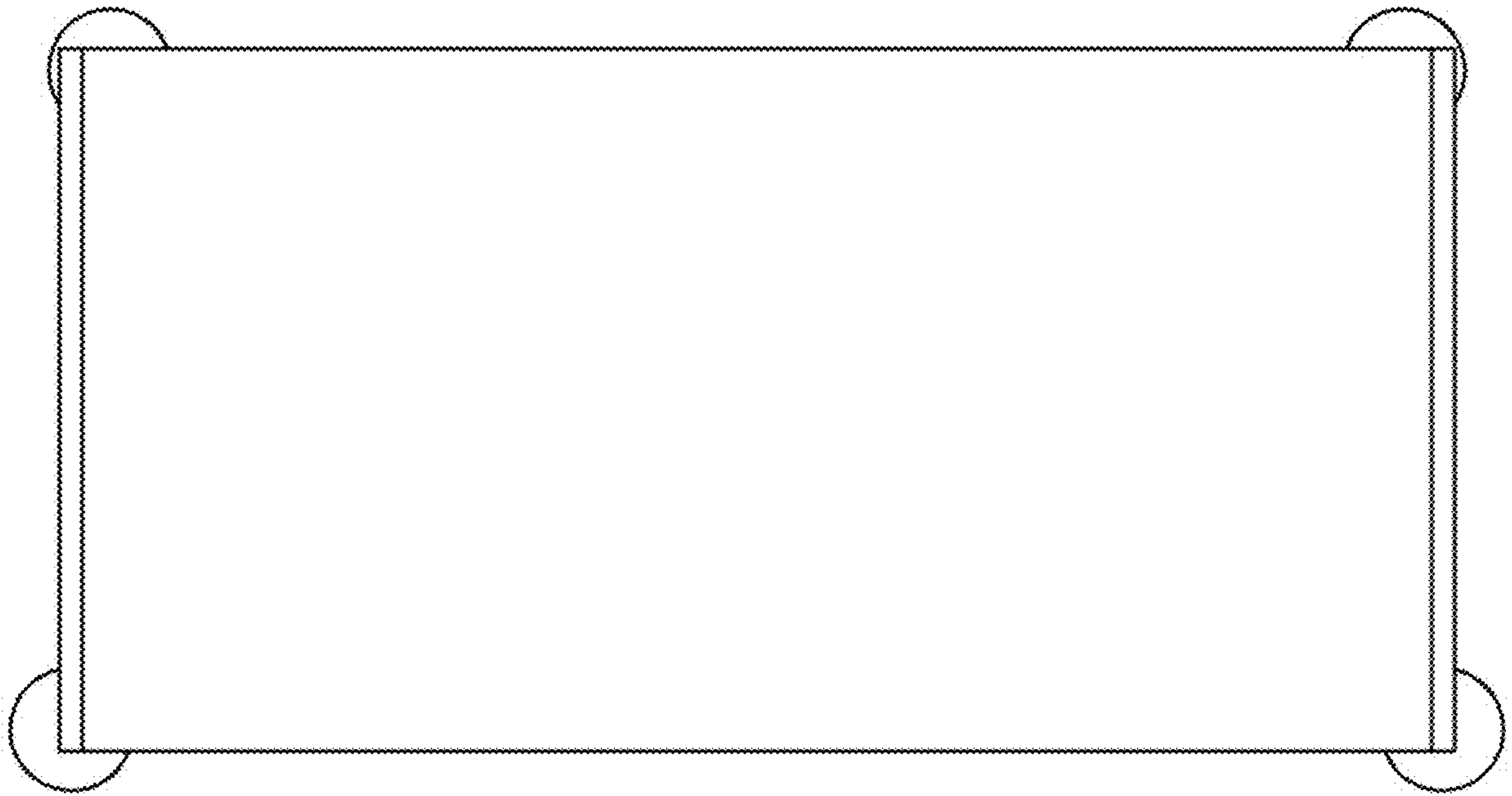


FIG. 5

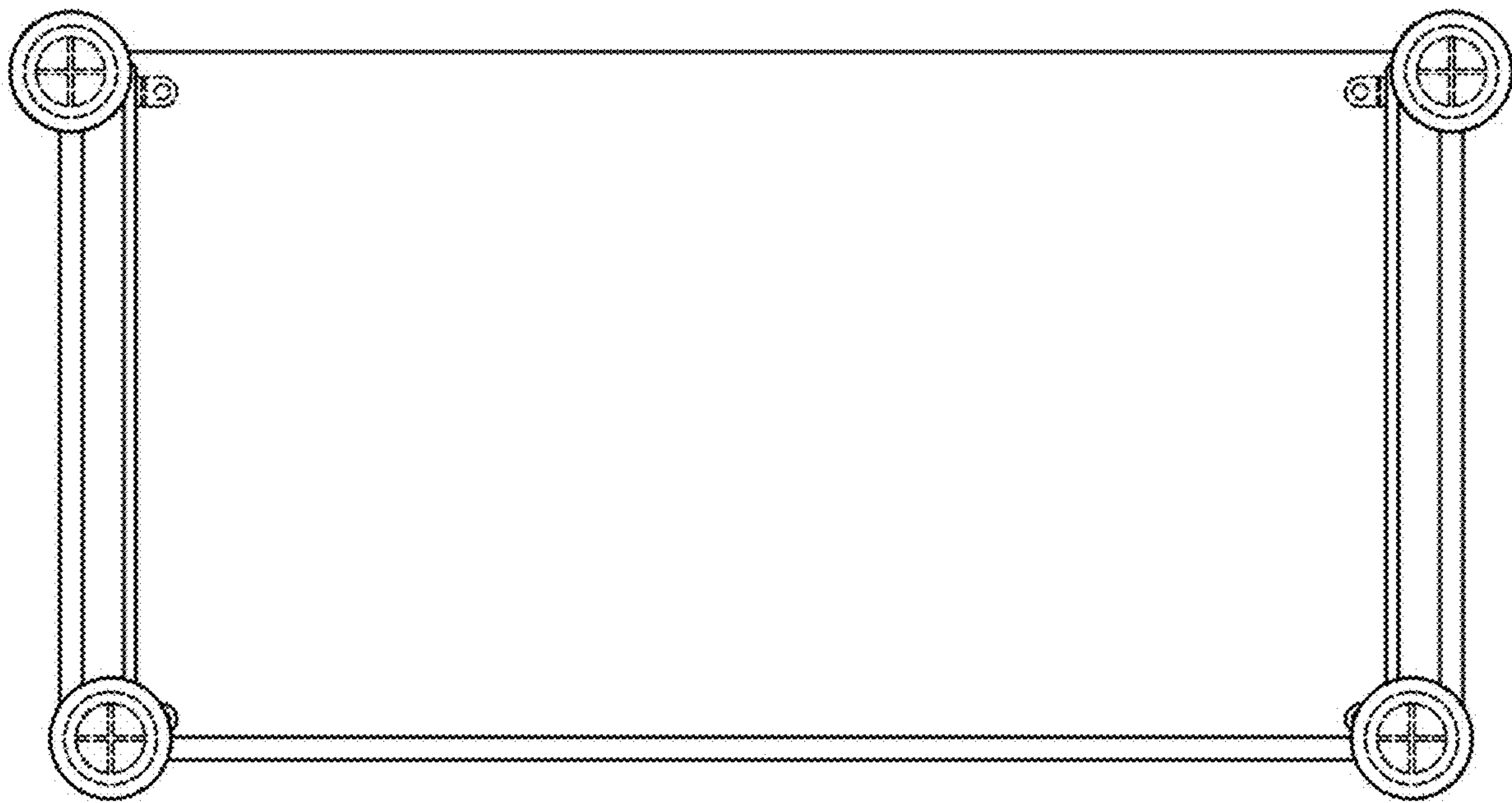


FIG. 6

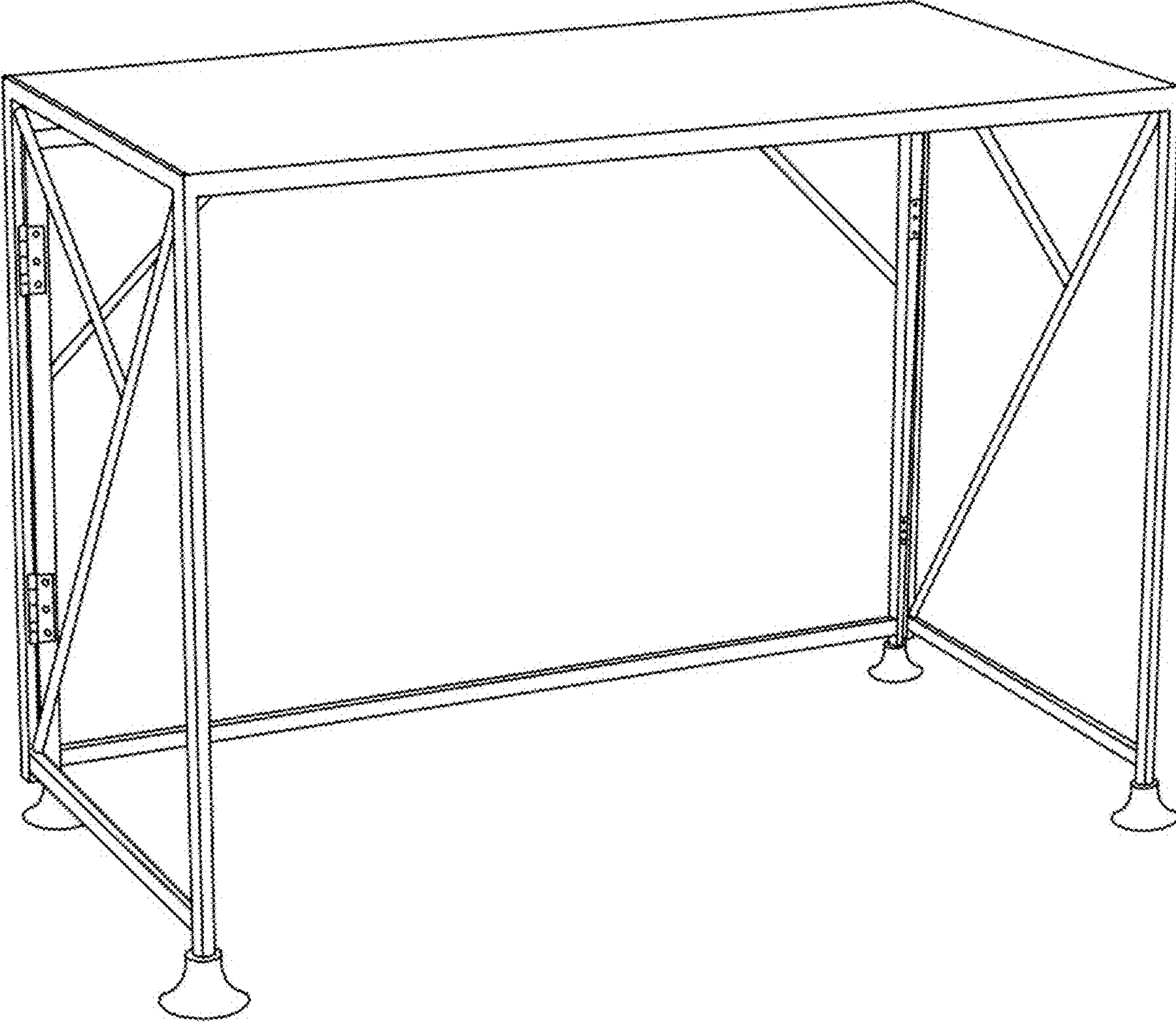


FIG. 7

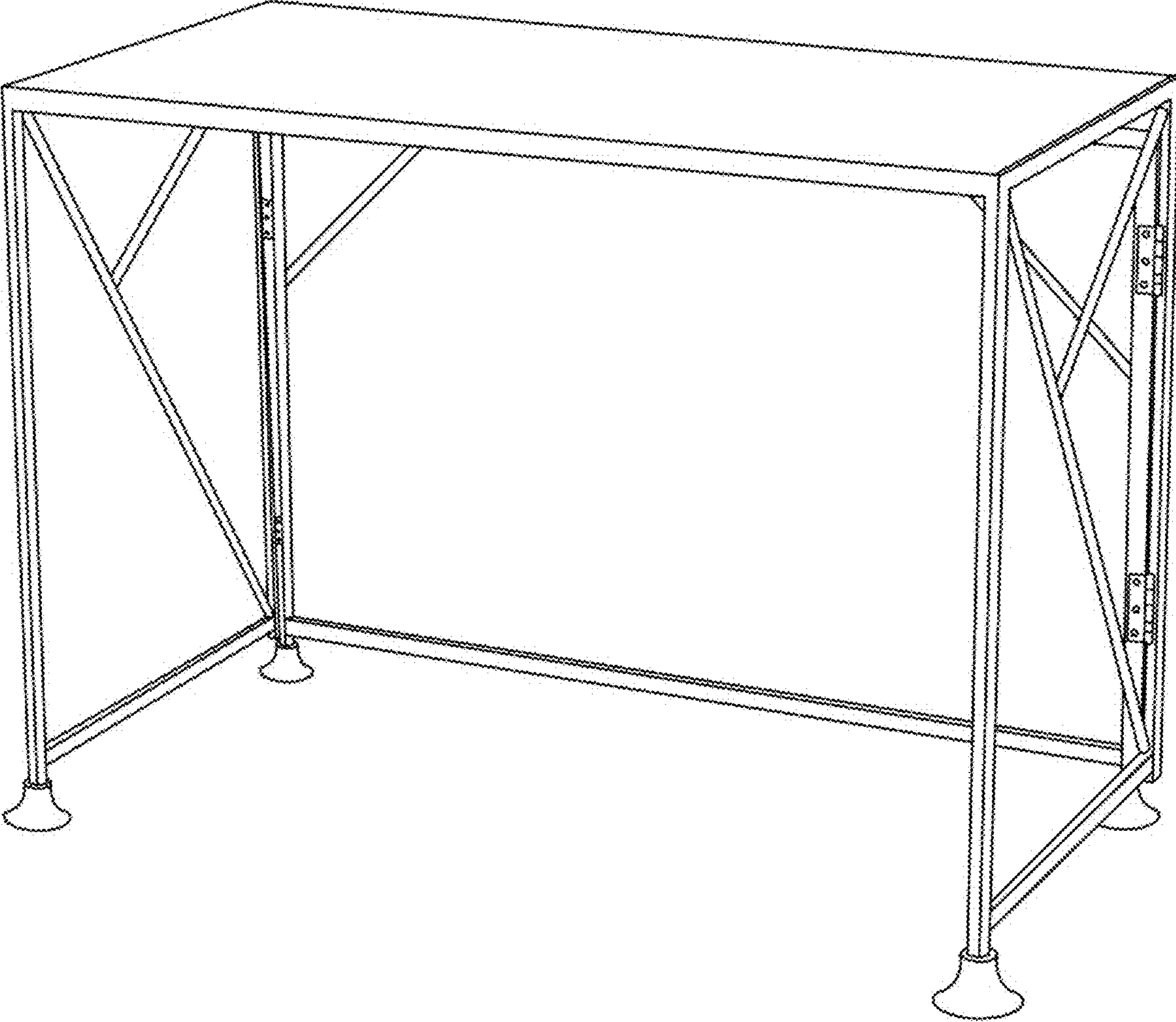


FIG. 8