

US00D908399S

(12) **United States Design Patent**
Tribble

(10) **Patent No.:** **US D908,399 S**
(45) **Date of Patent:** **** Jan. 26, 2021**

(54) **RETAINING DEVICE FOR SHEETS AND COVERINGS**

(71) Applicant: **James Joseph Tribble**, Lisle, IL (US)

(72) Inventor: **James Joseph Tribble**, Lisle, IL (US)

(**) Term: **15 Years**

(21) Appl. No.: **29/672,066**

(22) Filed: **Dec. 3, 2018**

(51) **LOC (13) Cl.** **06-99**

(52) **U.S. Cl.**
USPC **D6/607**

(58) **Field of Classification Search**
USPC D6/582-583, 587-592, 595-609,
D6/617-622; D21/803-809; D24/183
CPC A47G 9/00; A47G 2009/001; A47G
2009/002; A47G 2009/003; A47G 9/10;
A47G 9/1009; A47G 2009/1018; A47G
9/1045; A47G 9/1081; A47G 9/109;
A47G 2009/005; A47G 2009/006; A47G
9/02; A47G 9/0207; A47G 9/0215; A47G
9/0223; A47G 9/023; A47G 9/0238;
A47G 9/0246; A47G 9/0253; A47G
9/0261; A47G 2009/0269; A47G 11/002;
A47G 21/165

See application file for complete search history.

(56) **References Cited**

U.S. PATENT DOCUMENTS

672,881 A	4/1901	Allen	
1,461,199 A	7/1923	Prouty	
1,513,009 A	10/1924	Robb	
2,104,261 A *	1/1938	Landau A47H 13/00 160/392
2,321,394 A	1/1940	King	
2,507,091 A	5/1950	Carlson	
4,153,097 A *	5/1979	Pettibone A47G 21/167 160/330
4,336,635 A	6/1982	Lantz	

4,541,137 A	9/1985	Murray
4,794,660 A	1/1989	Hawkrigg
5,033,139 A	6/1991	Renfro
5,400,478 A	3/1995	Levinsohn et al.
6,557,194 B1	5/2003	Jeffries et al.
6,704,955 B1	3/2004	Jeffries et al.
6,877,175 B1	4/2005	Jeffries et al.
6,907,628 B2	6/2005	El Guermaai
7,096,527 B2	8/2006	Malik

(Continued)

FOREIGN PATENT DOCUMENTS

WO 2014064346 A1 1/2014

Primary Examiner — Jennifer L Rempfer

(74) *Attorney, Agent, or Firm* — Erickson Law Group, PC

(57) **CLAIM**

The ornamental design for a retaining device for sheets and coverings, as shown and described.

DESCRIPTION

FIG. 1 is a top perspective view of a retaining device for sheets and coverings of the invention.

FIG. 2 is a top view of the retaining device for sheets and coverings of FIG. 1.

FIG. 3 is a bottom view of the retaining device for sheets and coverings of FIG. 1.

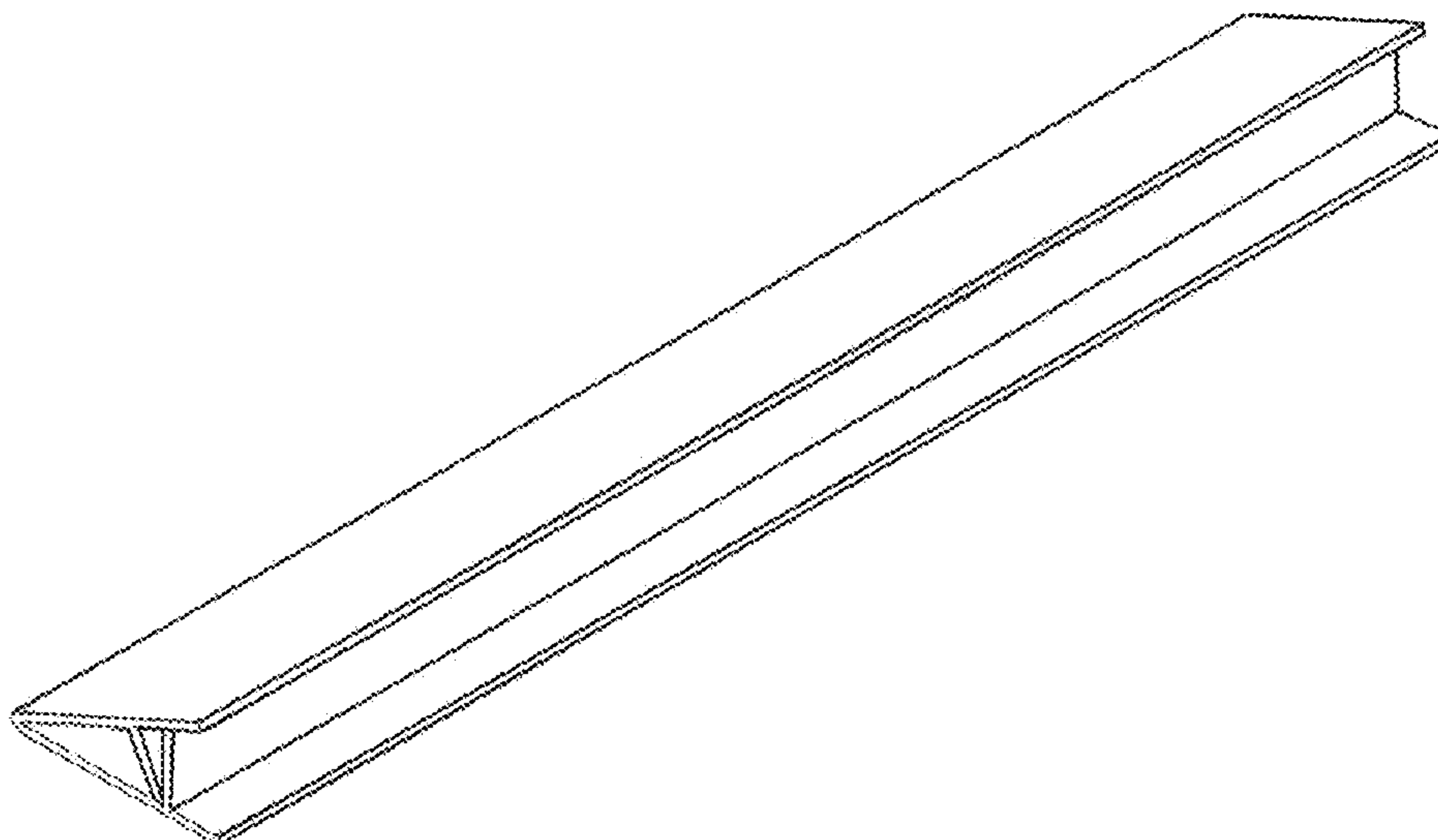
FIG. 4 is a front view of the retaining device for sheets and coverings of FIG. 1.

FIG. 5 is a rear view of the retaining device for sheets and coverings of FIG. 1.

FIG. 6 is a left end view of the retaining device for sheets and coverings of FIG. 1, with the right end view being a mirror image; and,

FIG. 7 is a left end view of the retaining device for sheets and coverings of FIG. 1, shown holding a sheet that is shown dashed that does not form part of the claimed invention.

1 Claim, 7 Drawing Sheets



(56)

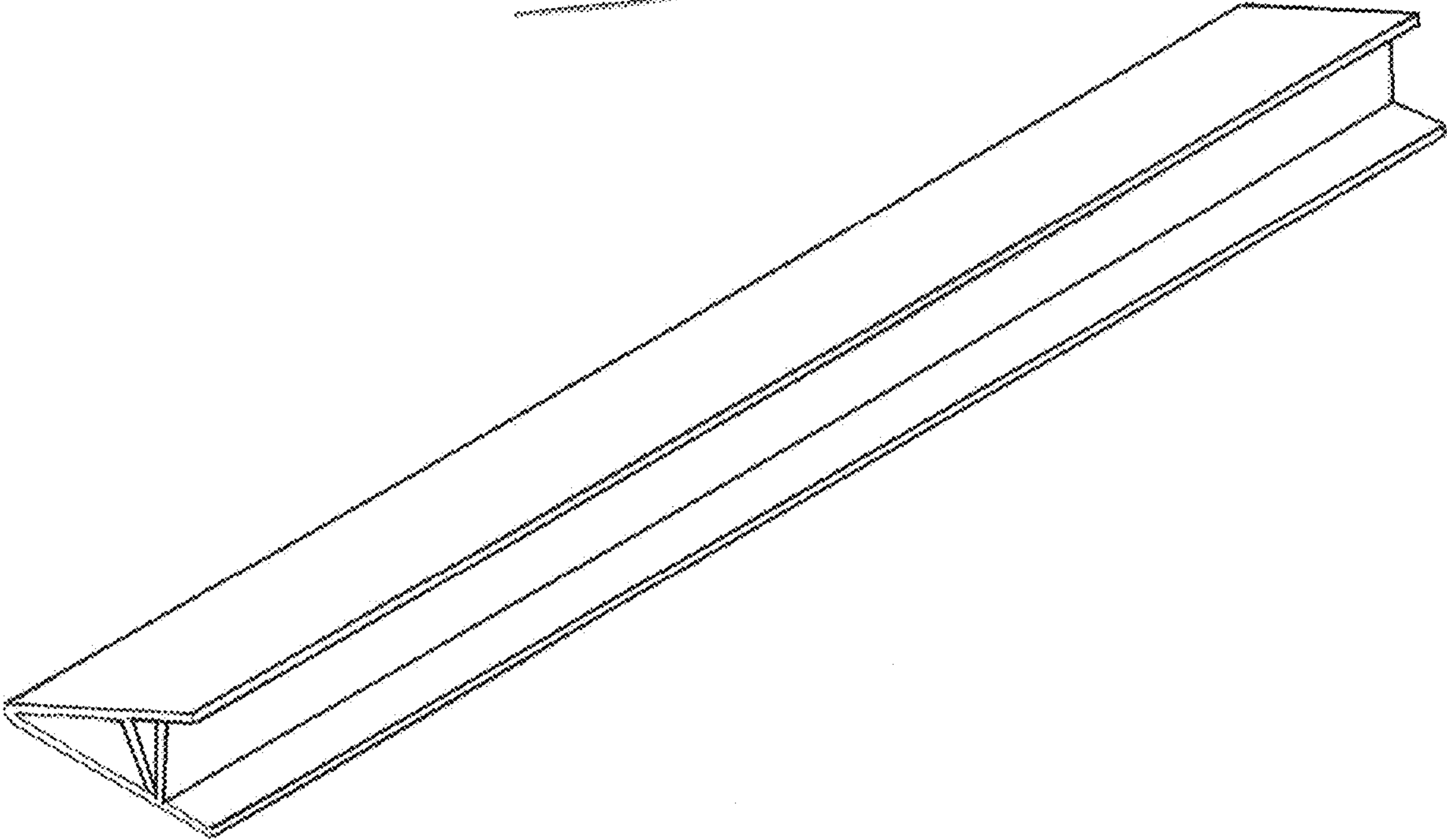
References Cited

U.S. PATENT DOCUMENTS

7,370,588 B2 * 5/2008 Franco A47H 1/18
108/90
7,467,428 B2 12/2008 Hanes
D600,542 S * 9/2009 Zemel D8/395
8,122,541 B1 2/2012 Georgatos
8,365,360 B2 * 2/2013 Kunnath A47B 95/02
16/415
8,745,787 B1 6/2014 Heimlich
8,918,931 B1 12/2014 Baker et al.
9,775,441 B2 10/2017 Burrill
9,884,704 B2 * 2/2018 Agüero-Hernandez
B65D 33/1675
9,919,125 B2 * 3/2018 Gulliver F16L 3/12
2005/0251957 A1 * 11/2005 Franco A47G 21/167
16/87.6 R
2008/0092349 A1 * 4/2008 Cofer A61M 5/1418
24/487

* cited by examiner

FIG 1



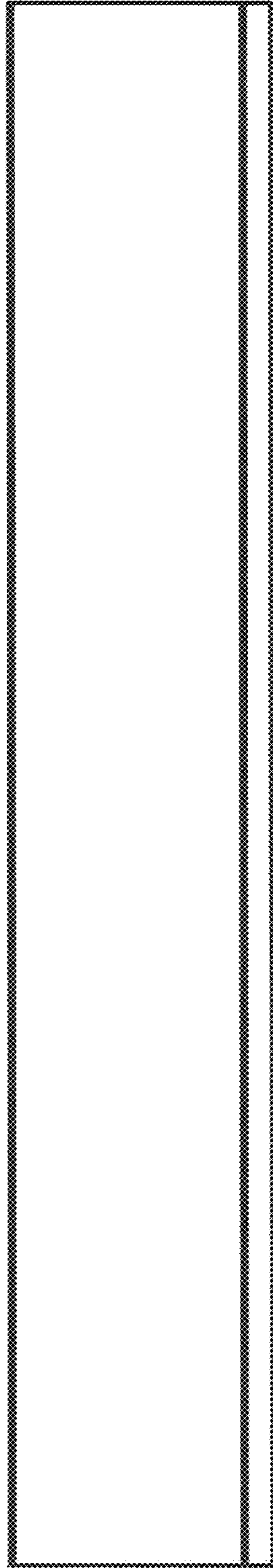


FIG 2

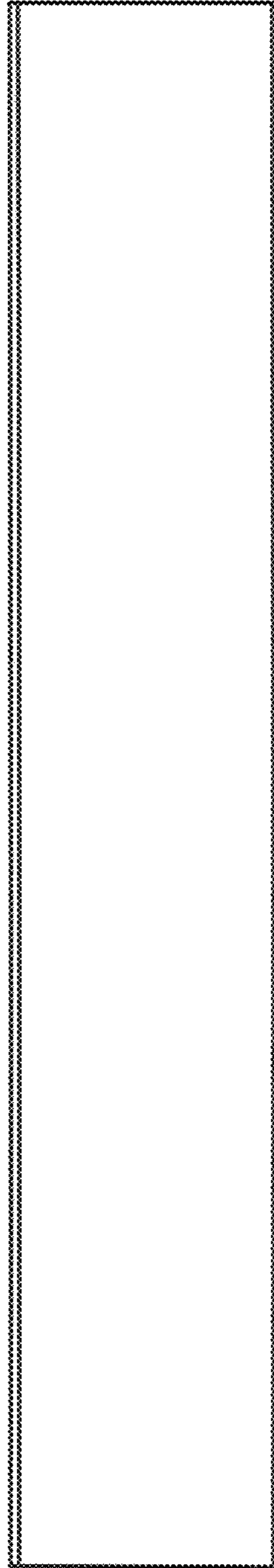


FIG. 3

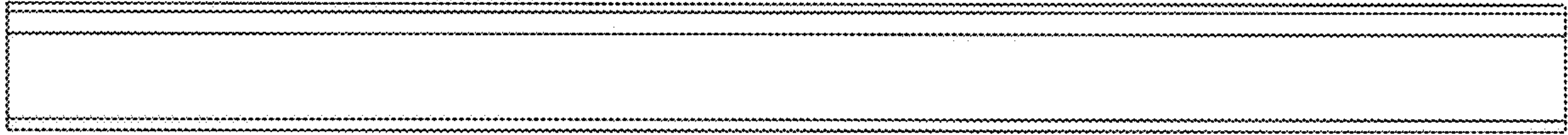


FIG. 4



FIG. 5

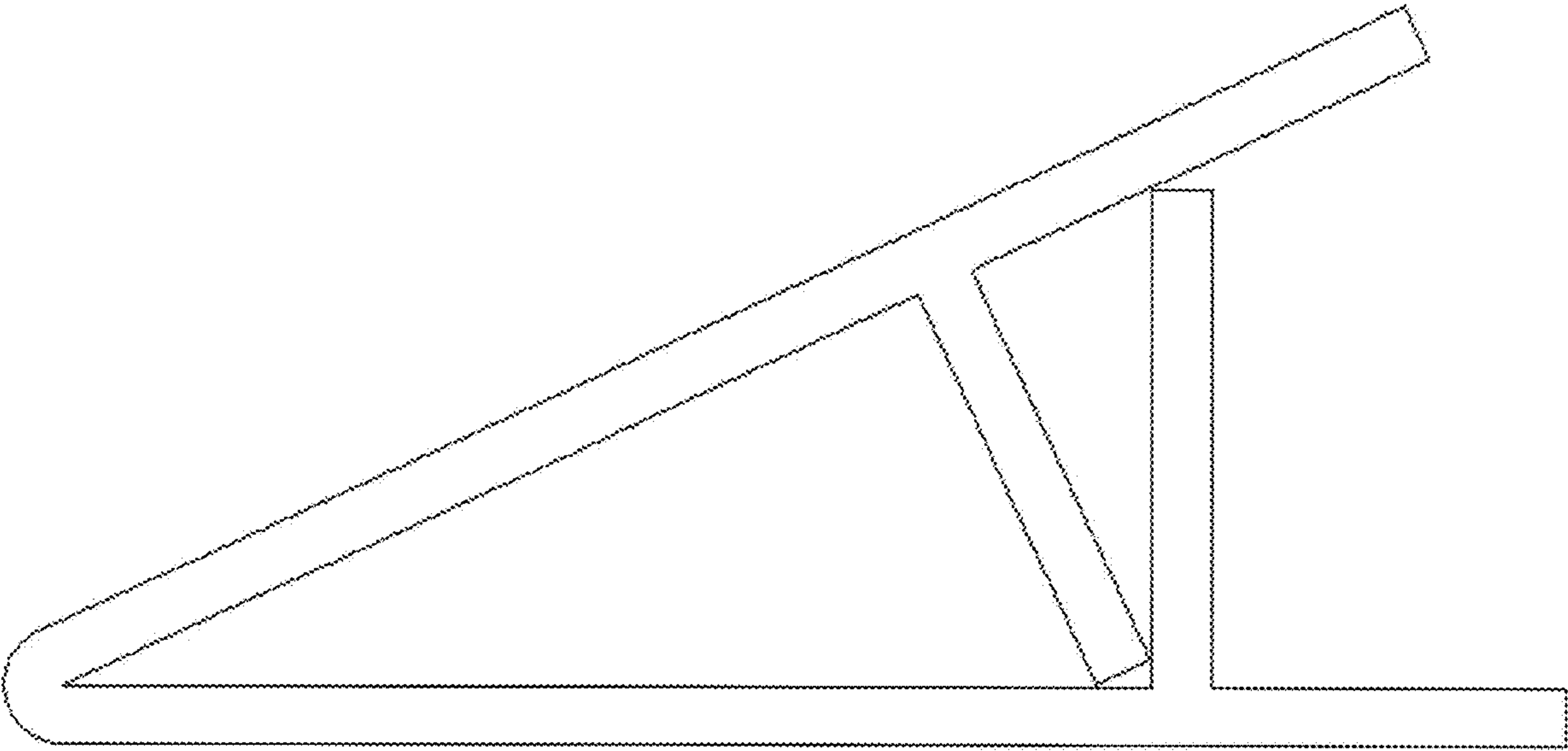


FIG 6

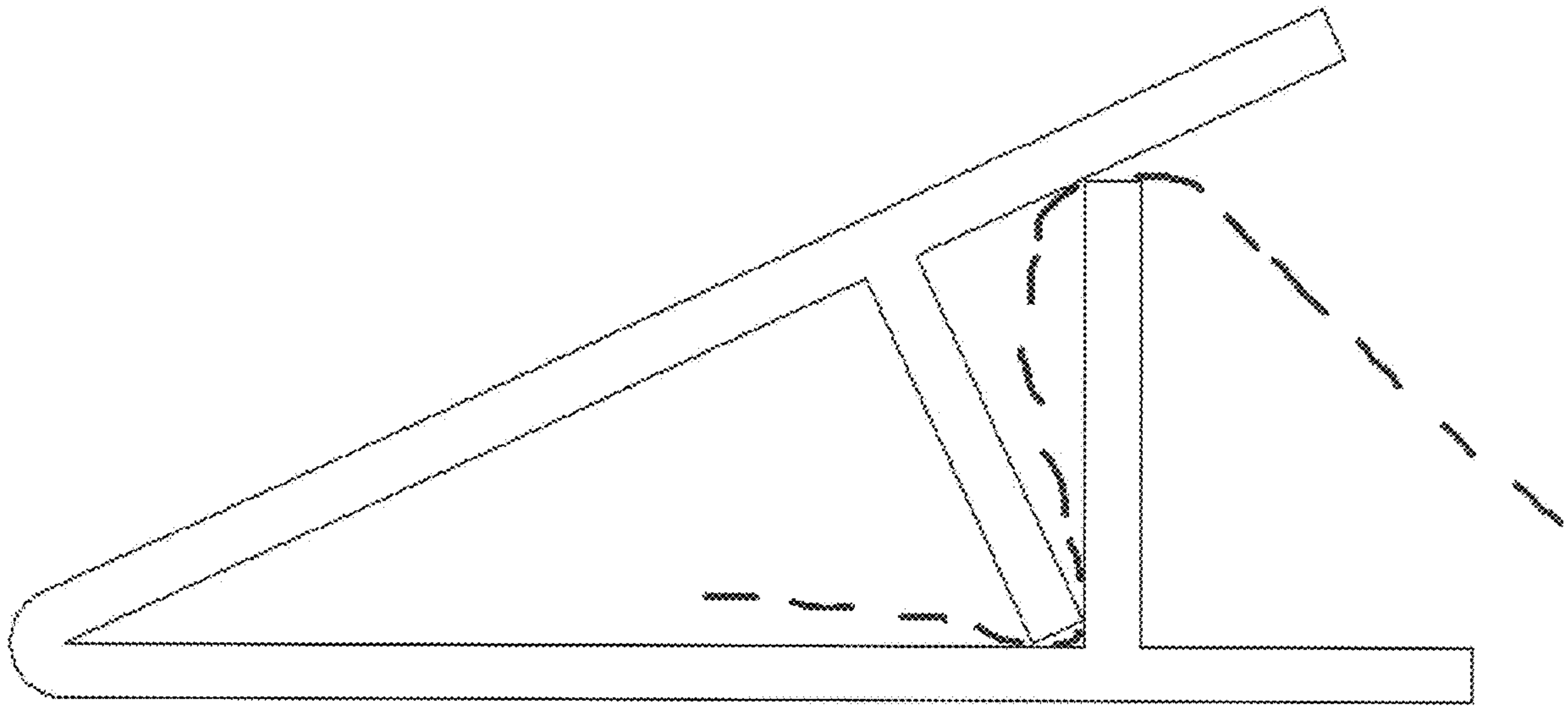


FIG 7