



US00D908391S

(12) **United States Design Patent**
Yang

(10) **Patent No.:** **US D908,391 S**

(45) **Date of Patent:** **** Jan. 26, 2021**

(54) **SEAT CUSHION**

(71) Applicant: **Shenzhen JTA Industrial Co., Ltd.**,
Shenzhen (CN)

(72) Inventor: **Shuang Yang**, Shenzhen (CN)

(**) Term: **15 Years**

(21) Appl. No.: **29/647,608**

(22) Filed: **May 15, 2018**

(51) **LOC (13) Cl.** **06-09**

(52) **U.S. Cl.**

USPC **D6/601**

(58) **Field of Classification Search**

USPC D6/595, 596, 601, 604; 5/653;
297/219.1, 283.1, 283.2, 452.22, 452.26

CPC A47G 2009/1018; A47G 9/10; A61G
5/1043; A61G 5/1045; A61G 5/1091;
A61G 5/124; A47C 7/021

See application file for complete search history.

(56) **References Cited**

U.S. PATENT DOCUMENTS

- 4,132,228 A * 1/1979 Green A47C 7/021
601/57
- D334,318 S * 3/1993 Chee D6/601
- 6,095,894 A * 8/2000 Stevens A41D 13/0575
2/267
- 7,225,486 B2 * 6/2007 Jackson, III A47G 9/1027
5/653
- D618,947 S * 7/2010 Kalatsky D6/601
- 7,891,033 B2 * 2/2011 Loewenthal A61G 5/1043
297/452.21
- D722,449 S * 2/2015 Krishtul
- 9,220,345 B2 * 12/2015 Davis A47C 7/62
- 9,332,850 B2 * 5/2016 Krishtul A47C 7/029
- D775,862 S * 1/2017 Chen D6/601
- 9,609,951 B2 * 4/2017 Chan A47C 7/746
- D808,194 S * 1/2018 Wyborn D6/601
- D812,931 S * 3/2018 Chen D6/601
- D829,470 S * 10/2018 Huang D6/601
- D836,363 S * 12/2018 Cornelius D6/601

- D845,033 S * 4/2019 Berg D6/601
- D845,675 S * 4/2019 Yang D6/601
- D848,180 S * 5/2019 Huang D6/601
- D850,818 S * 6/2019 Xiang D6/601
- D851,424 S * 6/2019 Santjer D6/601
- D854,353 S * 7/2019 Xiang D6/596
- 10,455,944 B2 * 10/2019 Chernin A61G 5/124

(Continued)

FOREIGN PATENT DOCUMENTS

- CN 304299654 * 1/2017
- CN 305469383 * 12/2018

OTHER PUBLICATIONS

Advance Orthopedic Coccyx Seat Cushion (on-line), no date available. Retrieved from Internet Jan. 30, 2020, URL: https://www.pepperfry.com/advance-orthopaedic-coccyx-seat-cushion-pillow-with-memory-foam-for-sciatica-tai-1758589.html?type=brand&pos=14%3A1&total_result=20&cat=4419&catname=Memory+Foam (2 pages).*

(Continued)

Primary Examiner — Kimberly Barnes

(74) *Attorney, Agent, or Firm* — HYIP

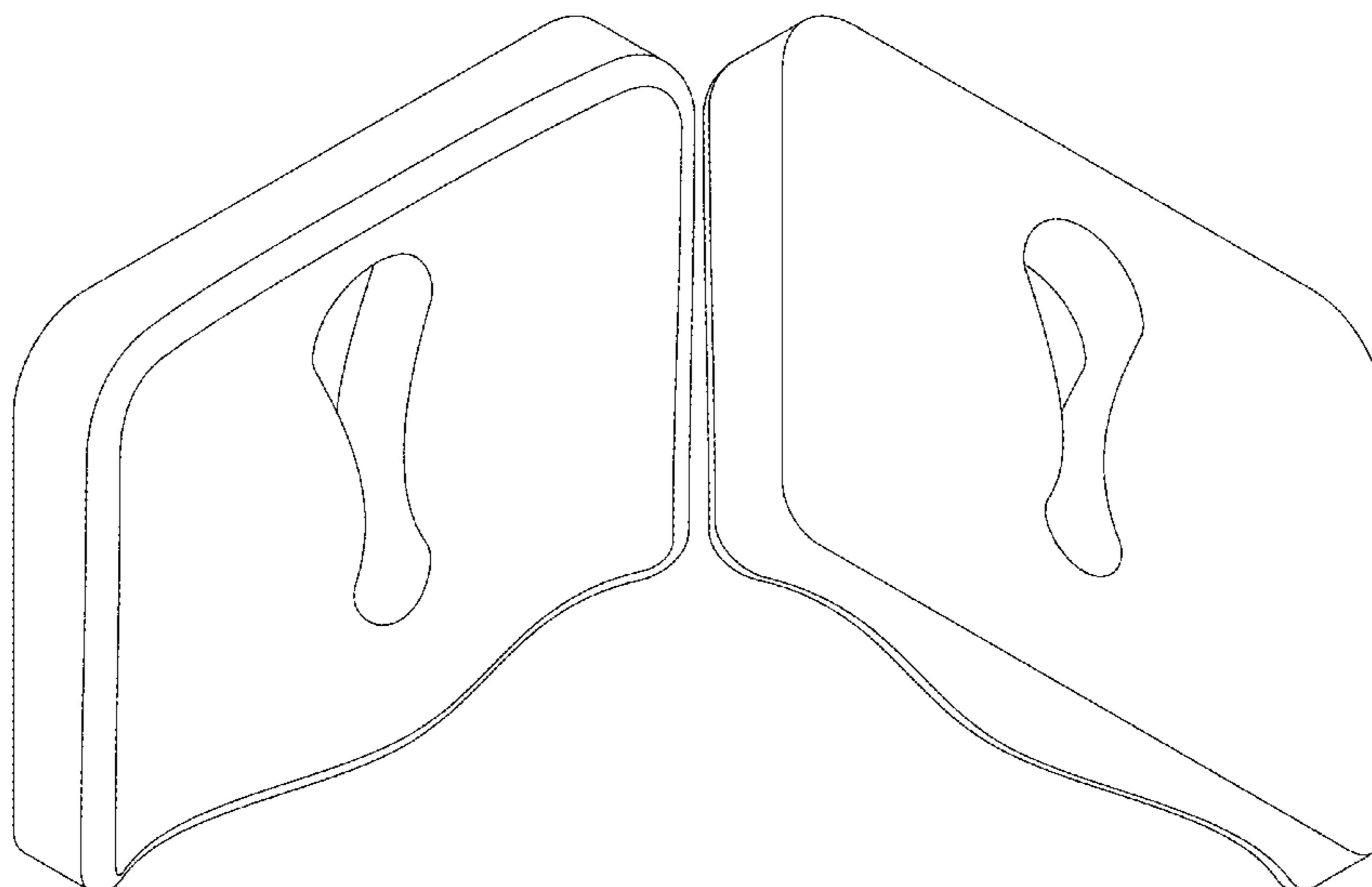
(57) **CLAIM**

The ornamental design for a seat cushion, as shown and described.

DESCRIPTION

FIG. 1 is a perspective view of a seat cushion showing my new design;
FIG. 2 is second perspective view thereof;
FIG. 3 is a front view thereof;
FIG. 4 is a back view thereof;
FIG. 5 is a left side view thereof;
FIG. 6 is a right side view thereof;
FIG. 7 is a top view thereof; and,
FIG. 8 is a bottom view thereof.

1 Claim, 8 Drawing Sheets



(56)

References Cited

U.S. PATENT DOCUMENTS

D868,501 S * 12/2019 Mi D6/601
D878,108 S * 3/2020 Wang D6/601
2007/0294831 A1 * 12/2007 Siekman A61G 5/1043
5/653

OTHER PUBLICATIONS

Anti Slip Office Car Memory Gel Seat Cushion (on-line), no date available. Retrieved from Internet Jan. 30, 2020, URL: www.ergonomic-memoryfoampillow.com/sale-11117571-anti-slip-office-car-memory-gel-seat-cushion-anti-hemorrhoids-blood-circulation.html (3 pages).*

Coccyx Orthopedic Memory Foam Seat Cushion (on-line), no date available. Retrieved from Internet Jan. 30, 2020, URL: <https://www.walmart.com/ip/Coccyx-Orthopedic-Memory-Foam-Seat-Cushion-Back-Tailbone-Sciatica-Pain-Relief-Spinal-Alignment/854708890> (1 page).*

Orthopedic Office Chair Cushions (on-line), dated Sep. 12, 2018. Retrieved from Internet Dec. 17, 2019, URL: www.asisterscall.com/orthopedic-office-chair-cushions/ (6 pages) (Year: 2018).*

* cited by examiner

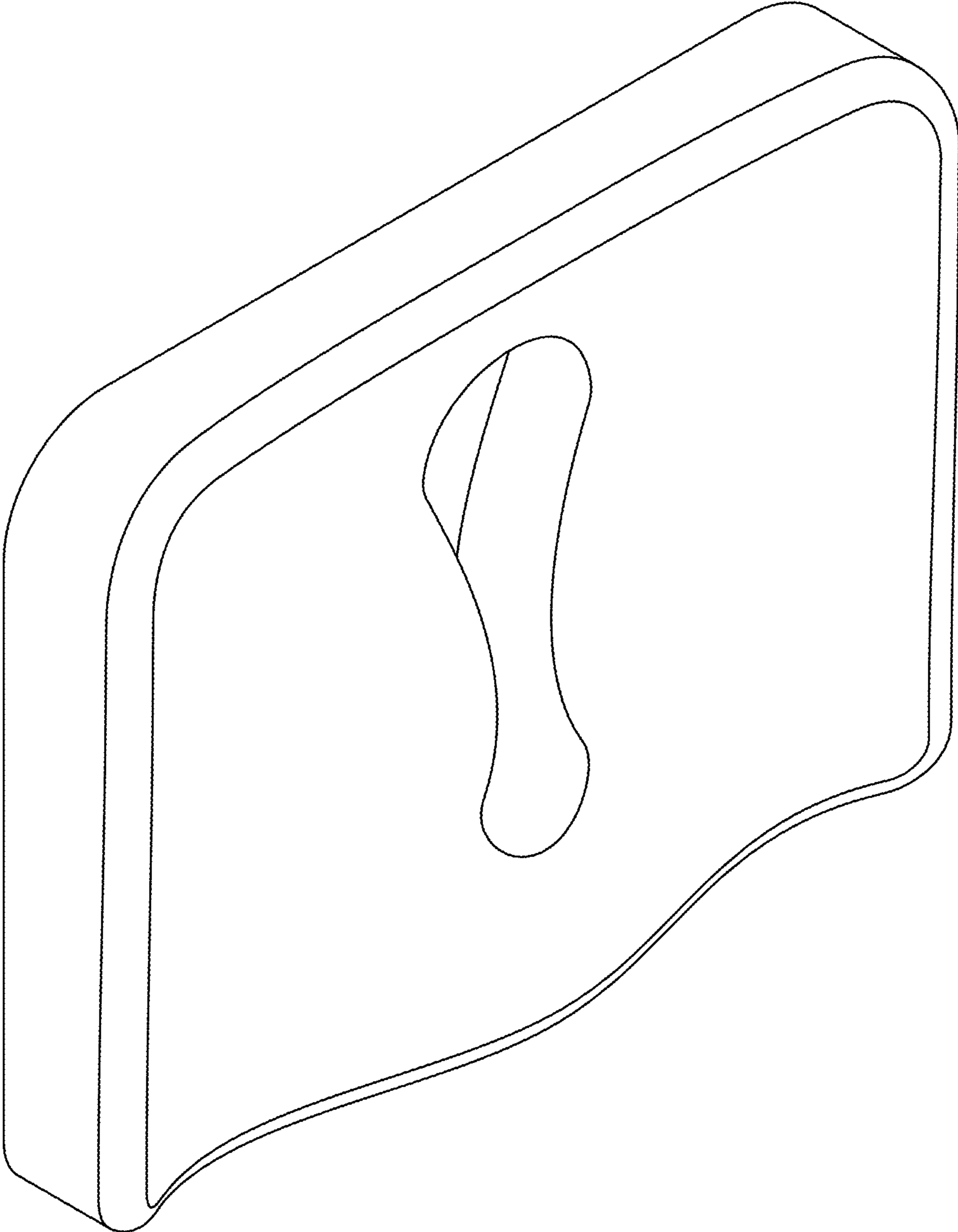


FIG. 1

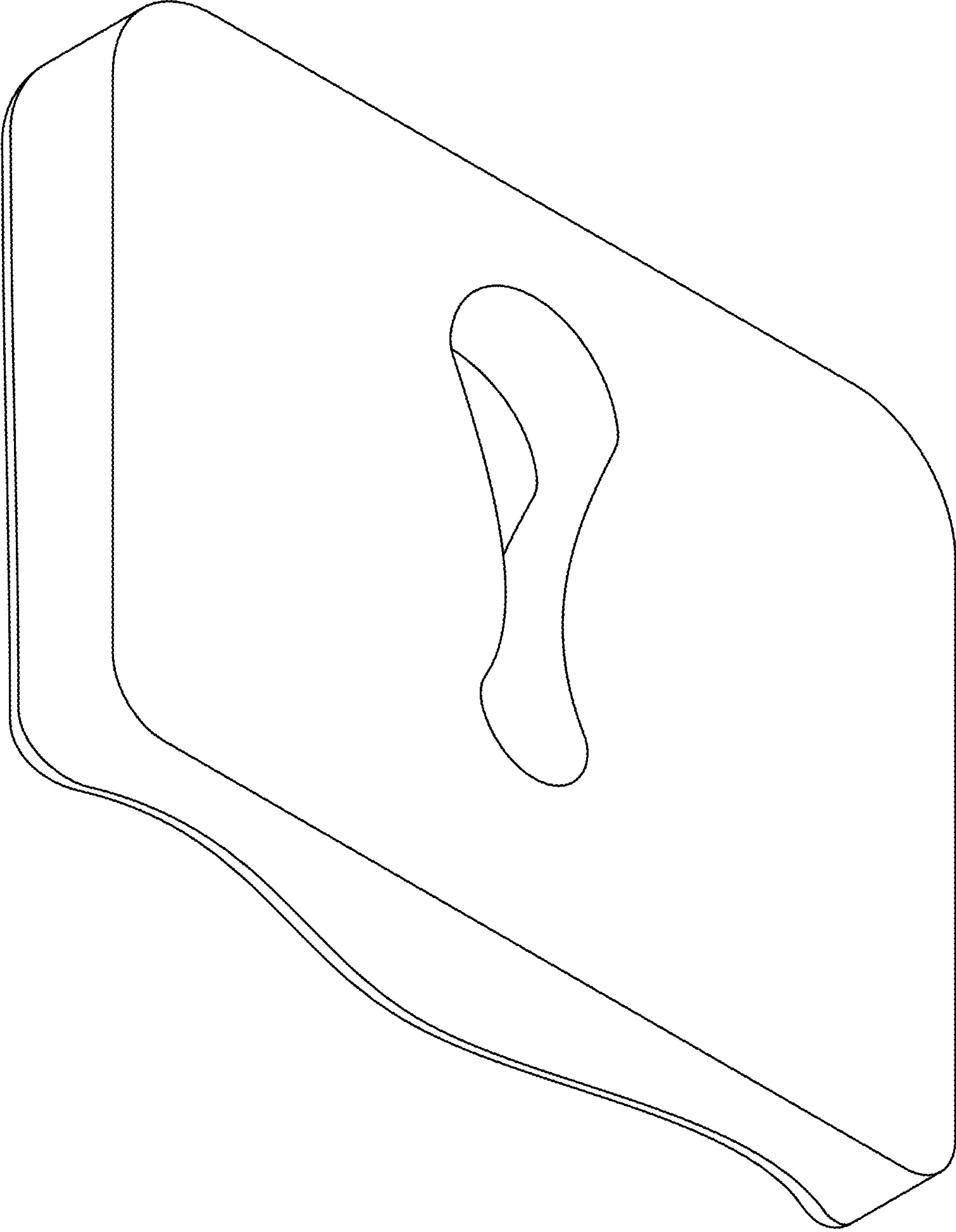


FIG. 2

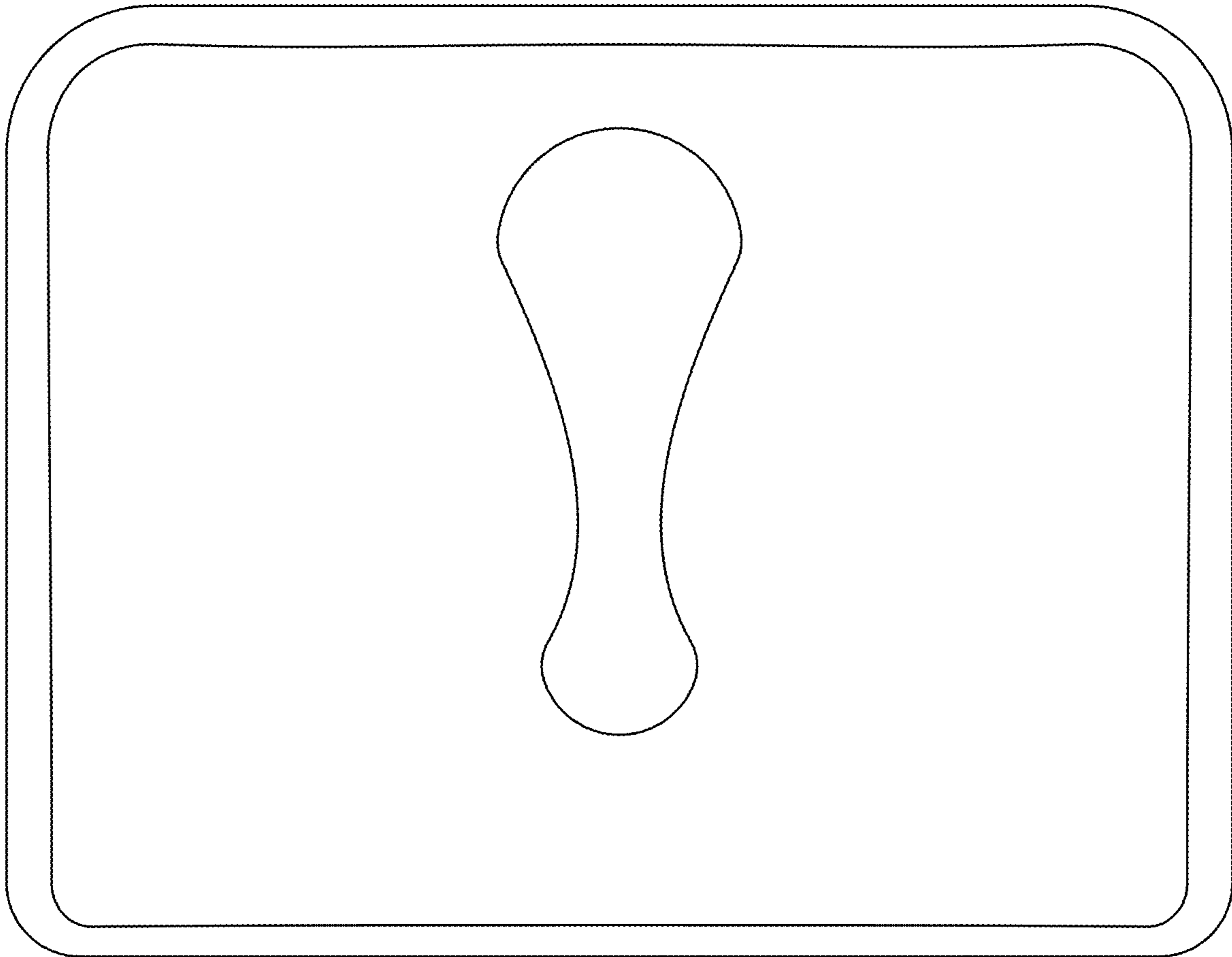


FIG. 3

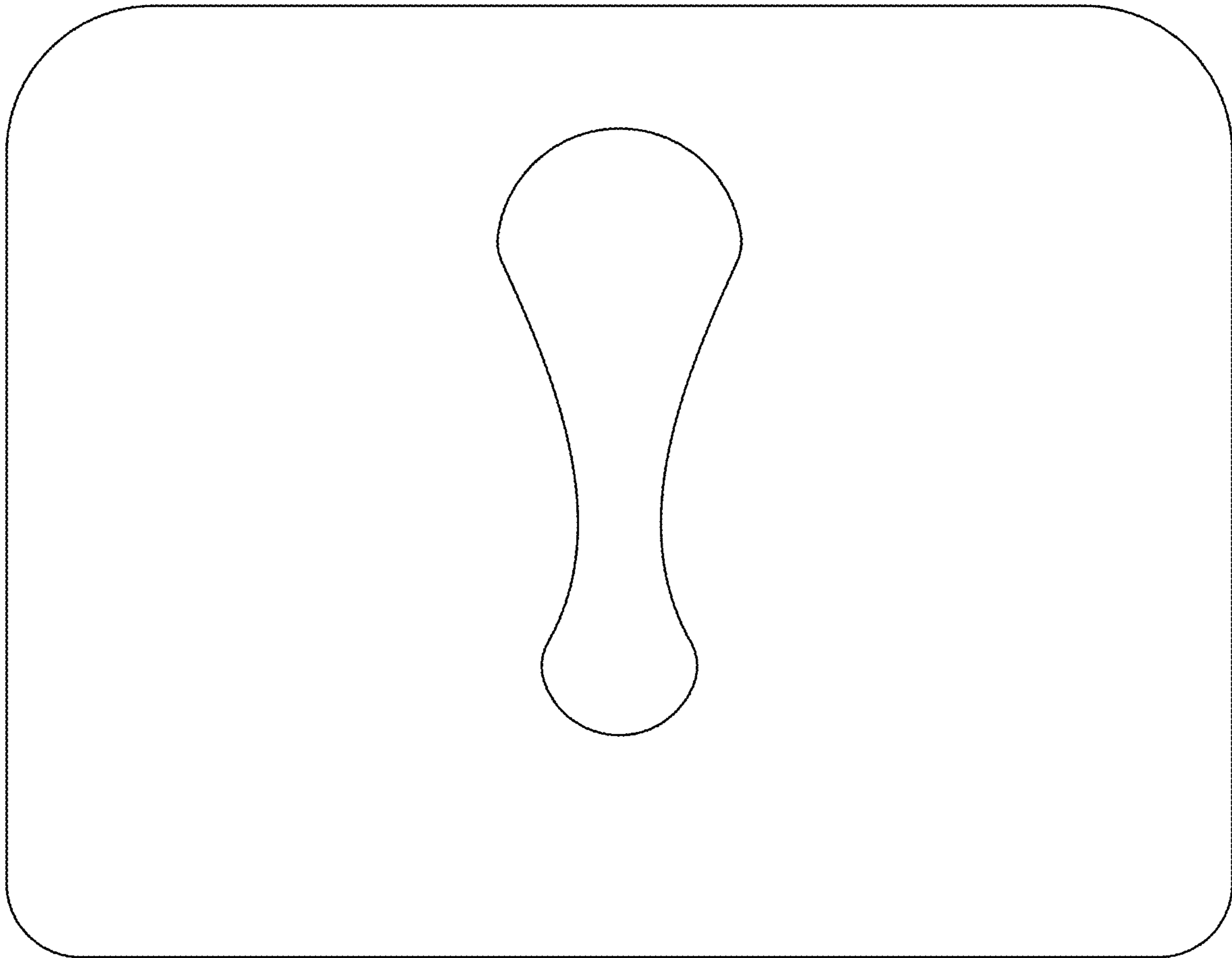


FIG. 4

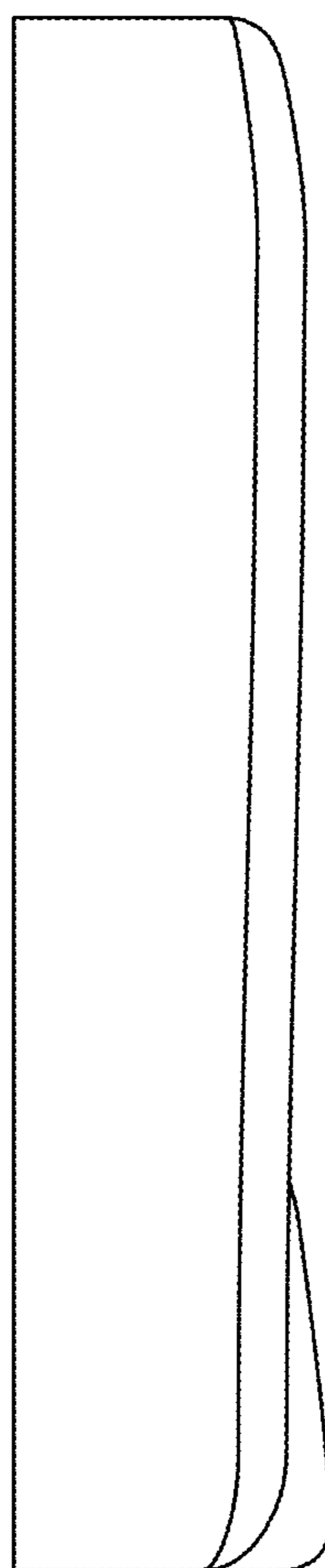


FIG. 5

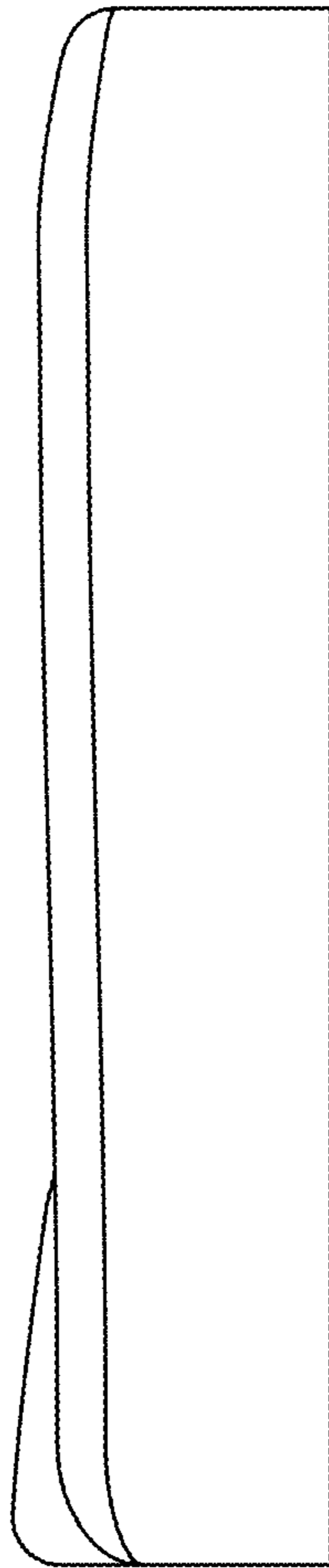


FIG. 6

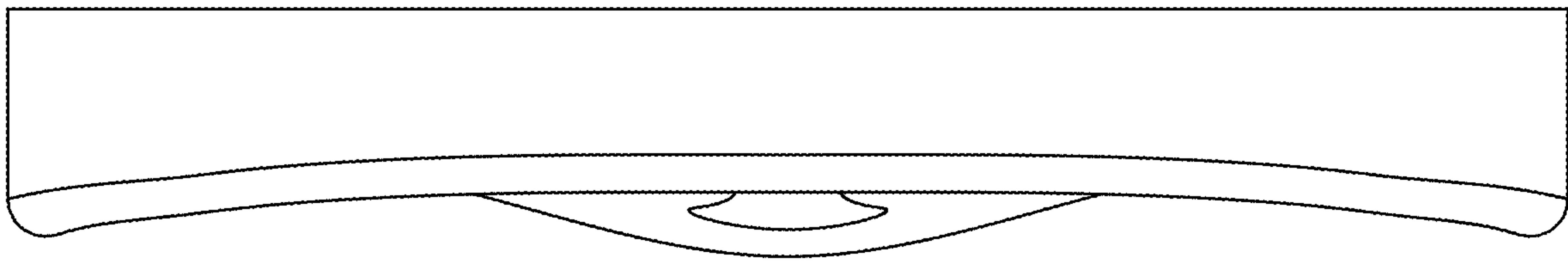


FIG. 7

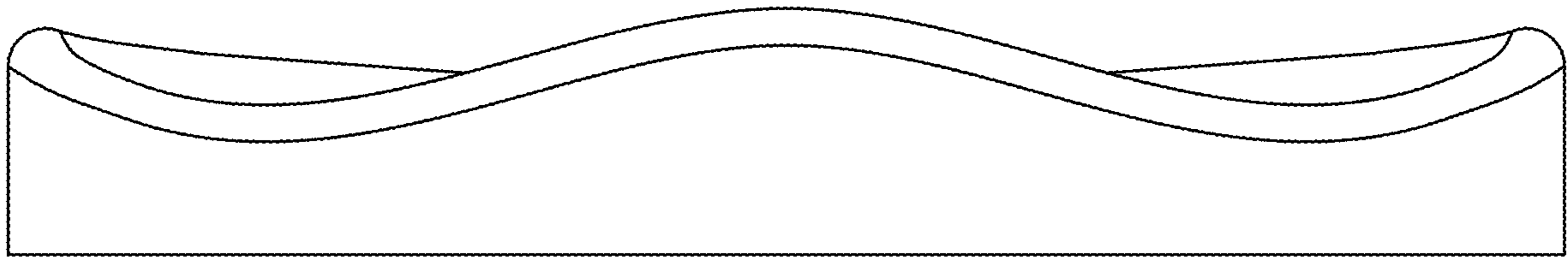


FIG. 8