



US00D908388S

(12) **United States Design Patent**
Huang

(10) **Patent No.:** **US D908,388 S**

(45) **Date of Patent:** **** Jan. 26, 2021**

- (54) **CORNER SHOWER CADDY**
- (71) Applicant: **Guangxin Huang**, Guangdong (CN)
- (72) Inventor: **Guangxin Huang**, Guangdong (CN)
- (**) Term: **15 Years**
- (21) Appl. No.: **29/709,880**
- (22) Filed: **Oct. 17, 2019**
- (51) **LOC (13) Cl.** **06-04**
- (52) **U.S. Cl.**
USPC **D6/562; D6/525; D6/566**
- (58) **Field of Classification Search**
USPC D6/525, 320, 524, 533, 536, 537, 540,
D6/566, 567, 562; D7/637; 211/13.1,
211/71.01, 74, 75, 86.01, 87.01, 88.01,
211/90.01, 90.03, 106, 119, 126.1, 133.5,
211/134, 181.1
CPC A47K 17/00; A47K 3/281; A47K 3/001;
A47K 1/09; A47K 1/08; A47K 3/004;
A47K 5/03; A47K 7/024; A47K 2201/02;
A47B 57/265; A47B 57/565; A47B
57/26; A47B 96/002; A47B 95/008; A47B
96/024; F16B 47/00; F16B 11/006; F16B
2200/1006
See application file for complete search history.

(56) **References Cited**

U.S. PATENT DOCUMENTS

5,014,860	A *	5/1991	Emery	A47K 3/281
					211/106
D323,439	S *	1/1992	Emery	D6/562
5,348,168	A *	9/1994	Emery	A47K 3/281
					211/106
D408,185	S *	4/1999	Hofman	D6/525
D449,478	S *	10/2001	Snell	D6/562
D449,479	S *	10/2001	Snell	D6/562
D462,552	S *	9/2002	Emery	D6/525
D472,749	S *	4/2003	Walker	D6/525
D479,421	S *	9/2003	Snell	D6/525

D509,361	S *	9/2005	Suero, Jr.	D3/306
D551,006	S *	9/2007	Tau	D6/562
D554,416	S *	11/2007	Thompson	D6/562
D563,138	S *	3/2008	Kramer	D6/562
D572,060	S *	7/2008	Snider	D6/525
D574,649	S *	8/2008	Snider	D6/525
D620,293	S *	7/2010	Guindi	D6/562
D652,237	S *	1/2012	Cittadino	D6/562
D653,067	S *	1/2012	Cittadino	D6/562
D699,974	S *	2/2014	Snider	D6/562
D699,975	S *	2/2014	Snider	D6/562
D764,707	S *	8/2016	Goodman	D28/73
D805,319	S *	12/2017	Kwiatkowski	D6/525
2010/0308186	A1 *	12/2010	Thompson	A47B 96/022
					248/205.3

(Continued)

OTHER PUBLICATIONS

amazon.com, smartake 2-pack corner shower caddy, SUS304 Stainless Steel, Wall Mounted Bathroom Shelf with Adhesive, Storage Organizer for Toilet, Apr. 7, 2019, https://www.amazon.com/SMARTAKE-Stainless-Bathroom-Adhesive-Organizer/dp/B07KWXWKJX/ref=cm_cr_arp_d_product_top?ie=UTF8 (Year: 2019).*

Primary Examiner — Nathan M Johnston

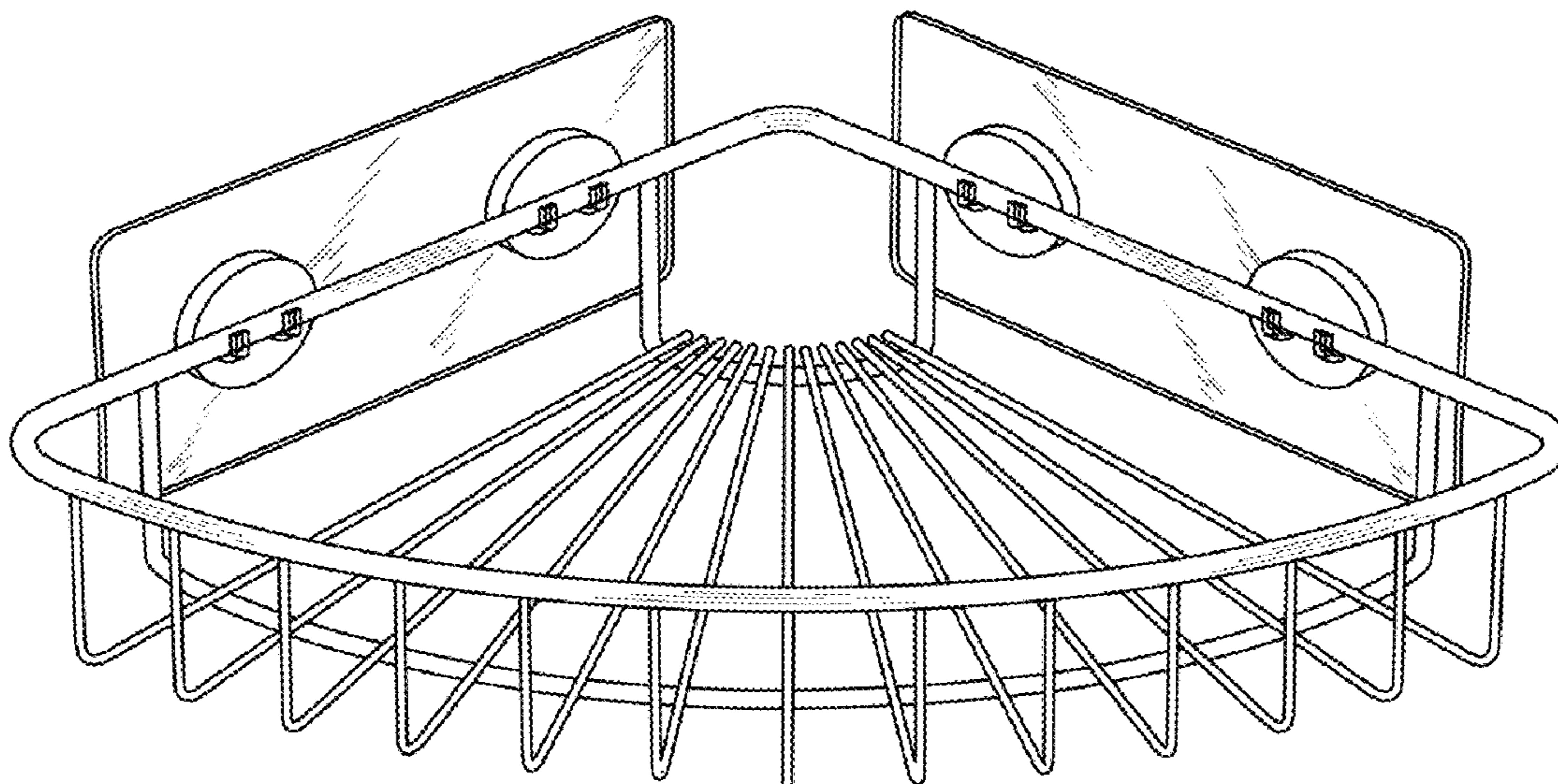
(57) **CLAIM**

The ornamental design for a corner shower caddy, as shown and described.

DESCRIPTION

FIG. 1 is a perspective view of a corner shower caddy showing my new design;
FIG. 2 is a front elevational view thereof;
FIG. 3 is a rear elevational view thereof;
FIG. 4 is a left side elevational view thereof;
FIG. 5 is a right side elevational view thereof;
FIG. 6 is a top plan view thereof; and,
FIG. 7 is a bottom plan view thereof.

1 Claim, 7 Drawing Sheets



(56)

References Cited

U.S. PATENT DOCUMENTS

2012/0217215 A1* 8/2012 Emery A47K 3/281
211/119.009
2013/0161329 A1* 6/2013 Baines A47K 3/281
220/476
2018/0156382 A1* 6/2018 Thompson F16M 13/022

* cited by examiner

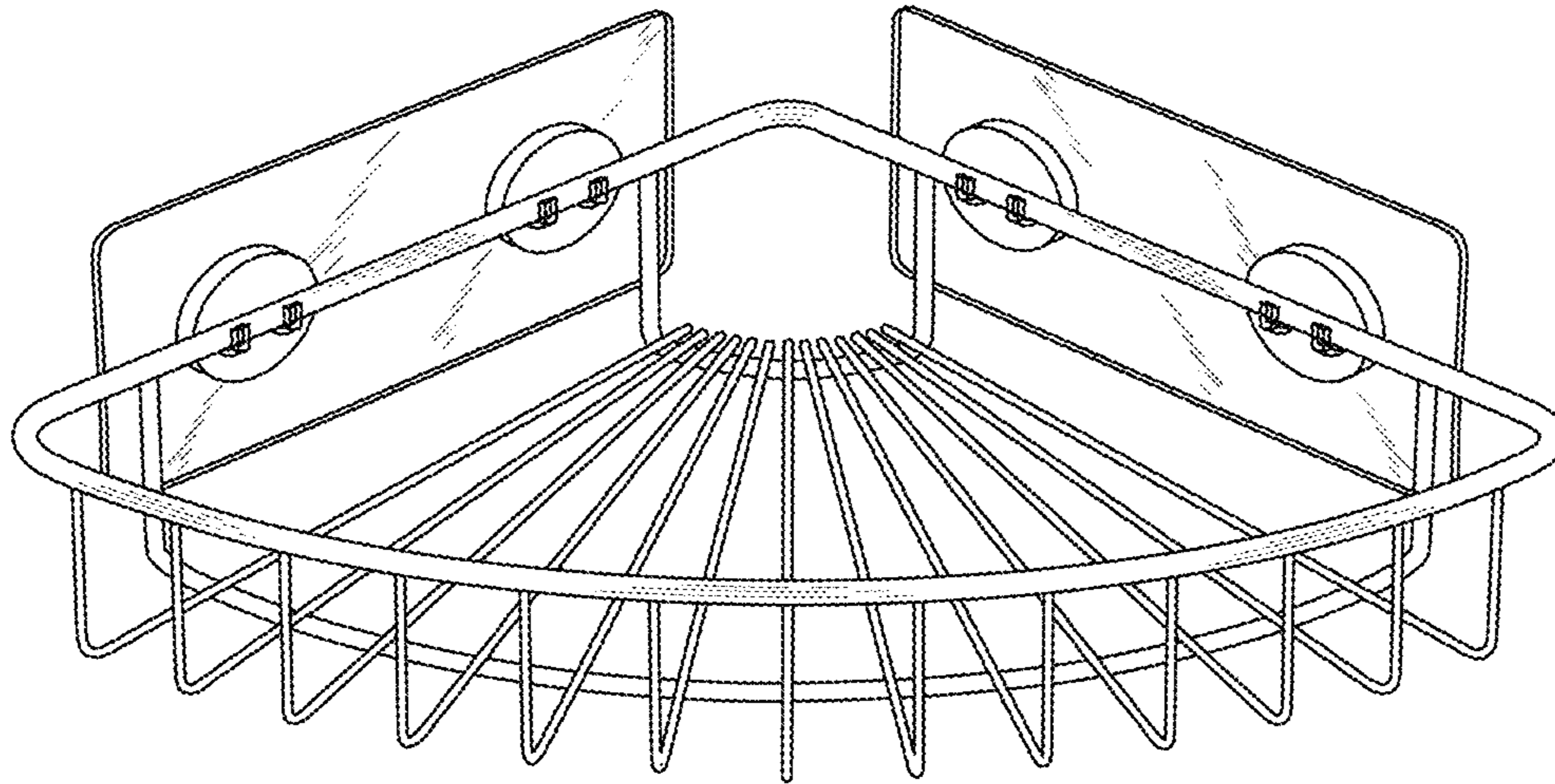


FIG. 1

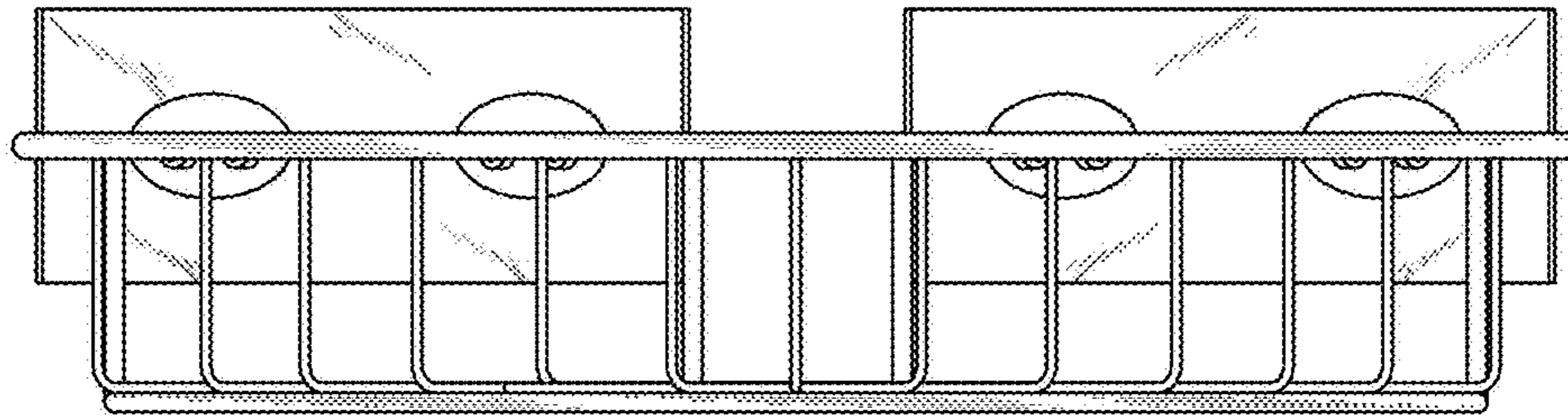


FIG. 2

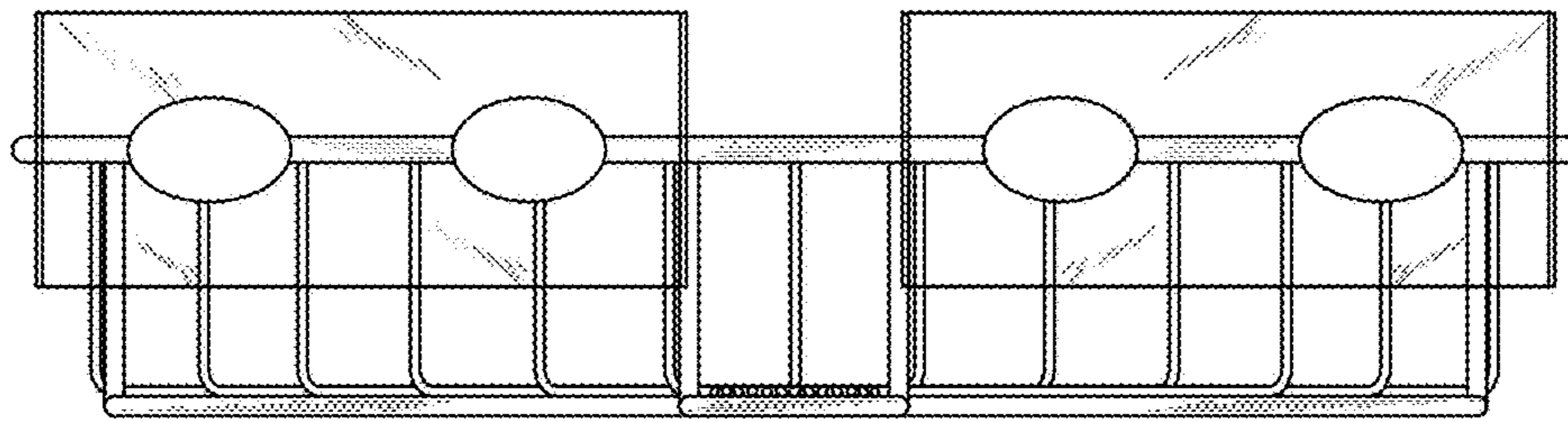


FIG. 3

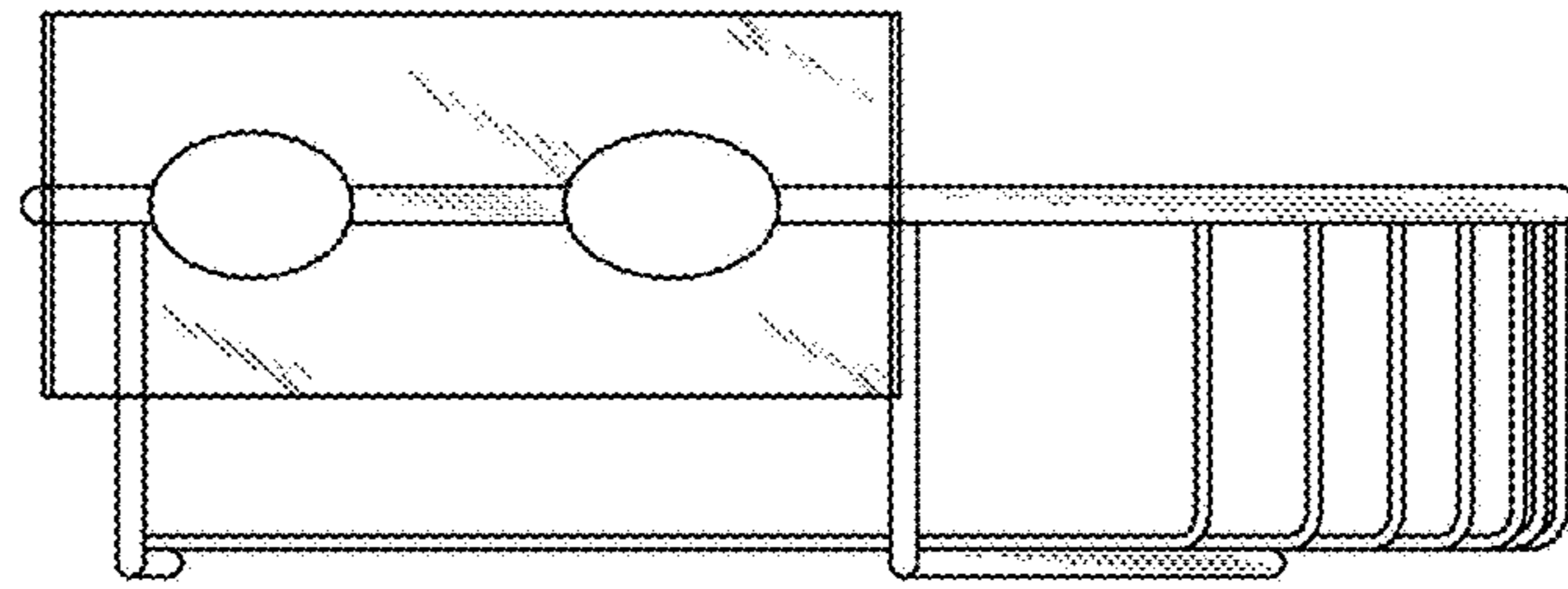


FIG. 4

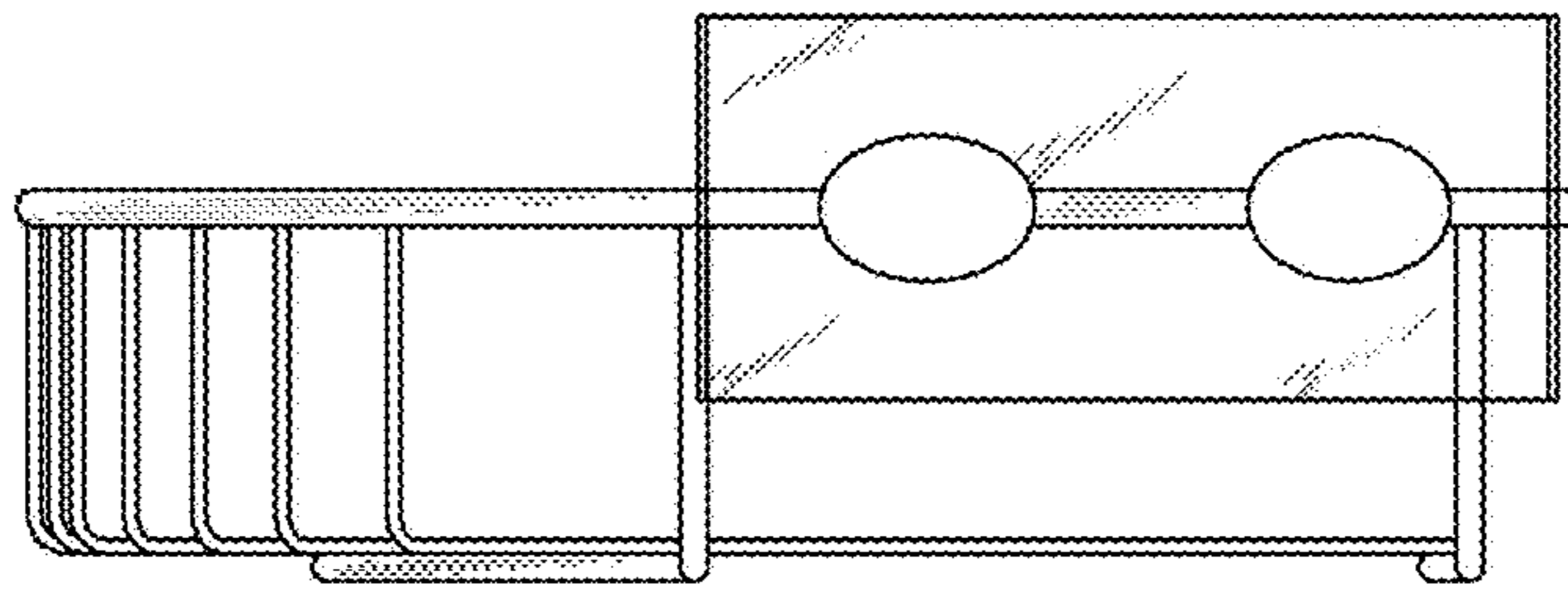


FIG. 5

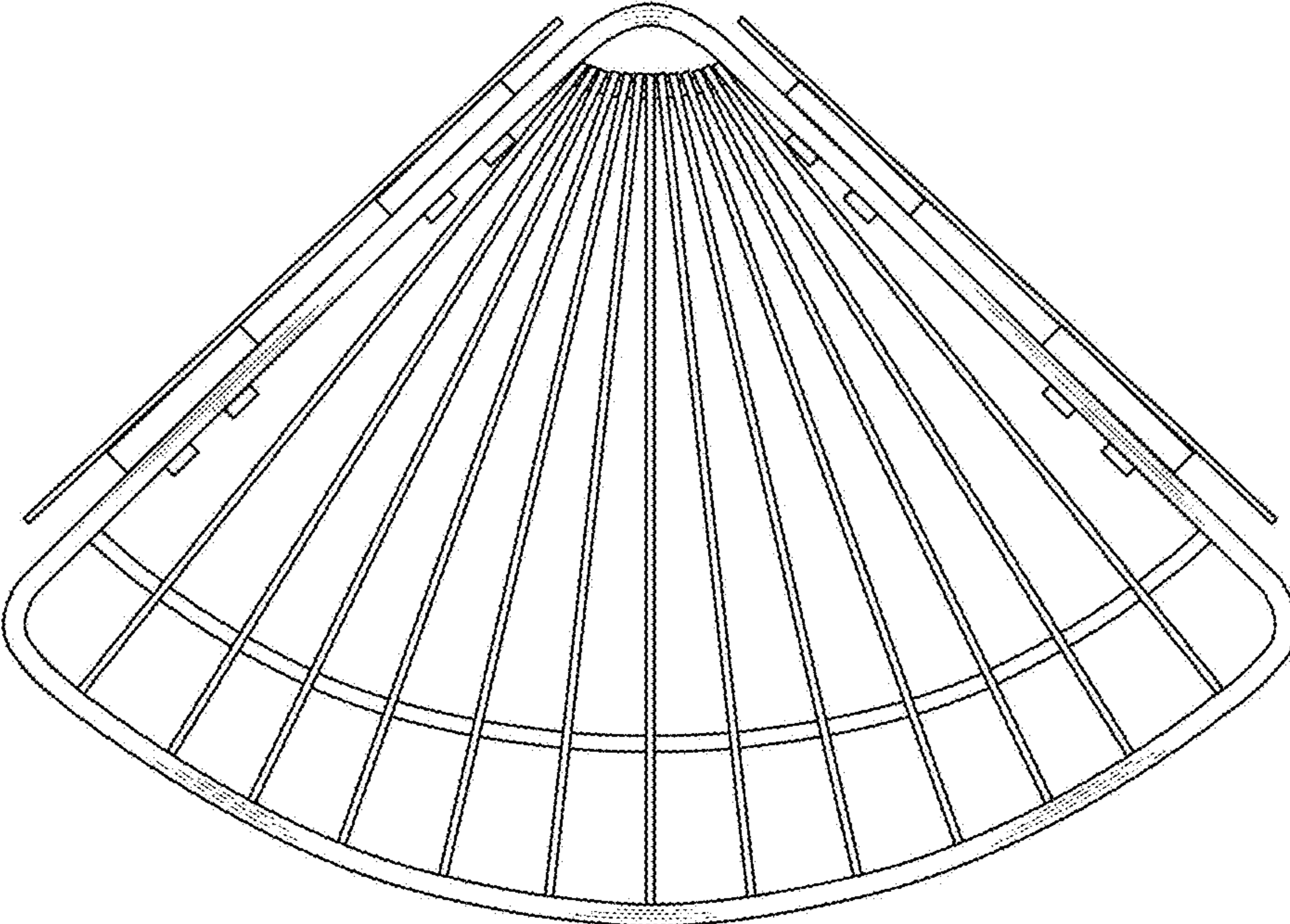


FIG. 6

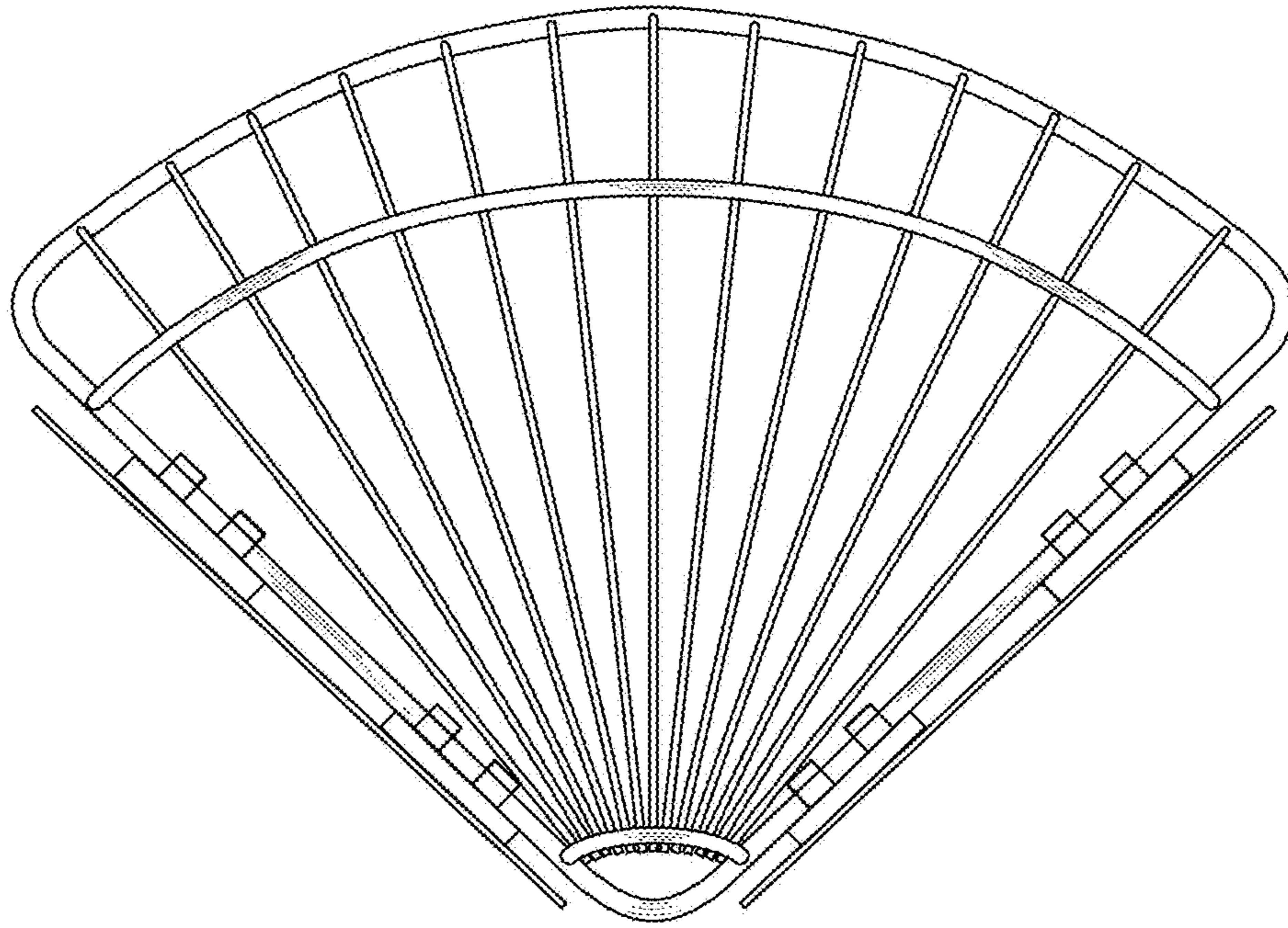


FIG. 7