



US00D908386S

(12) **United States Design Patent**
Patel et al.

(10) **Patent No.:** **US D908,386 S**

(45) **Date of Patent:** **** *Jan. 26, 2021**

(54) **ELONGATED TISSUE DISPENSING BOX**

(71) Applicant: **Ashtel Studios, Inc.**, Ontario, CA (US)

(72) Inventors: **Anish Patel**, Fontana, CA (US);
Christopher Beaumont, Brooklyn, NY (US)

(*) Notice: This patent is subject to a terminal disclaimer.

(**) Term: **15 Years**

(21) Appl. No.: **29/683,895**

(22) Filed: **Mar. 16, 2019**

(51) **LOC (13) Cl.** **20-02**

(52) **U.S. Cl.**
USPC **D6/515**

(58) **Field of Classification Search**
USPC D6/515, 518, 519-524, 546-550, 300, D6/466, 512, 553, 567; D8/300, 303, D8/315-321; 16/110.1, 415, 216; 206/225, 233, 289, 391, 812, 824; 211/13.1, 45.1; 222/173, 180; 221/26, 221/33, 282-283; 248/309.1, 309.2, 905; D19/86, 90, 91; D9/337, 414, 416, 417, D9/418, 430, 432, 422; 224/277; 281/29
CPC A47K 10/38; A47K 2010/3266; A47K 2010/3253; A47K 10/421; A47K 10/185; A47K 10/42; B65D 83/0805; A45F 5/04
See application file for complete search history.

(56) **References Cited**

U.S. PATENT DOCUMENTS

D460,303 S *	7/2002	Ong	D6/518
D514,437 S *	2/2006	Kim	D9/416
D811,767 S *	3/2018	Li	D6/518
D850,144 S *	6/2019	Joseph	D6/518
2002/0067038 A1 *	6/2002	Tran	B65D 5/425 281/29

(Continued)

Primary Examiner — Wan Laymon

Assistant Examiner — Mark Booker

(74) *Attorney, Agent, or Firm* — LeonardPatel PC

(57) **CLAIM**

We claim the ornamental design for an elongated tissue dispensing box, as shown and described.

DESCRIPTION

FIG. 1 is a perspective view of an elongated tissue dispensing box with a base in accordance with the present design. FIG. 2 is a front view of the elongated tissue box with a base shown in FIG. 1.

FIG. 3 is a back view of the elongated tissue box with a base shown in FIG. 1.

FIG. 4 is a side view of the elongated tissue box with a base shown in FIG. 1.

FIG. 5 is a top view of the elongated tissue box with a base shown in FIG. 1.

FIG. 6 is a bottom view of the elongated tissue box with a base shown in FIG. 1.

FIG. 7 is a perspective view of an elongated tissue dispensing box without a base in accordance with the present design.

FIG. 8 is a front view of the elongated tissue box without a base shown in FIG. 7.

FIG. 9 is a back view of the elongated tissue box without a base shown in FIG. 7.

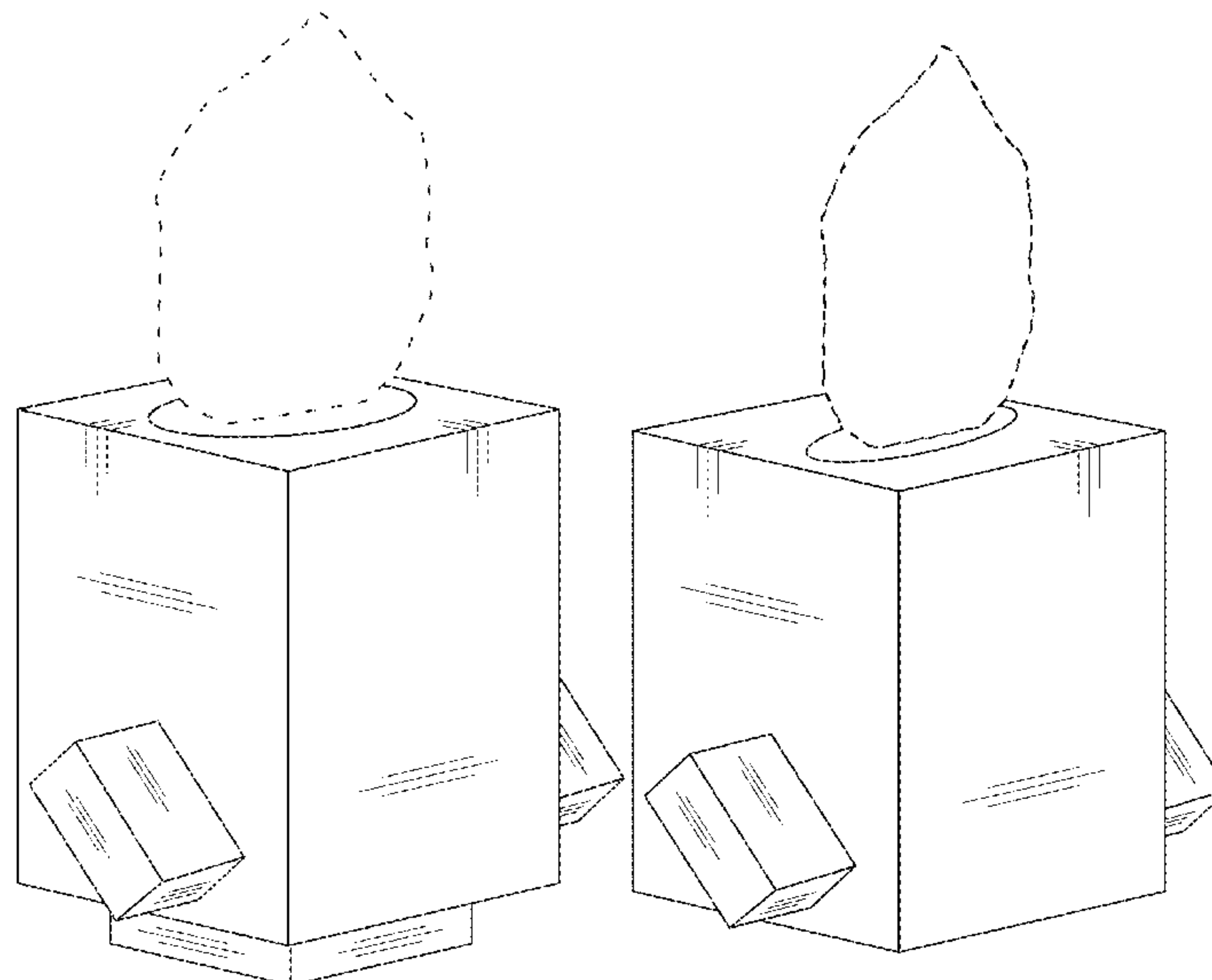
FIG. 10 is a side view of the elongated tissue box with a base shown in FIG. 7.

FIG. 11 is a top view of the elongated tissue box without a base shown in FIG. 7; and,

FIG. 12 is a bottom view of the elongated tissue box without a base shown in FIG. 7.

The broken lines shown in the figures represent portions of the elongated tissue dispensing box that form no part of the claimed design.

1 Claim, 12 Drawing Sheets



(56)

References Cited

U.S. PATENT DOCUMENTS

2013/0292435 A1* 11/2013 Zhang B60R 7/084
224/277
2016/0262582 A1* 9/2016 Henige A47K 10/46

* cited by examiner

Fig. 1

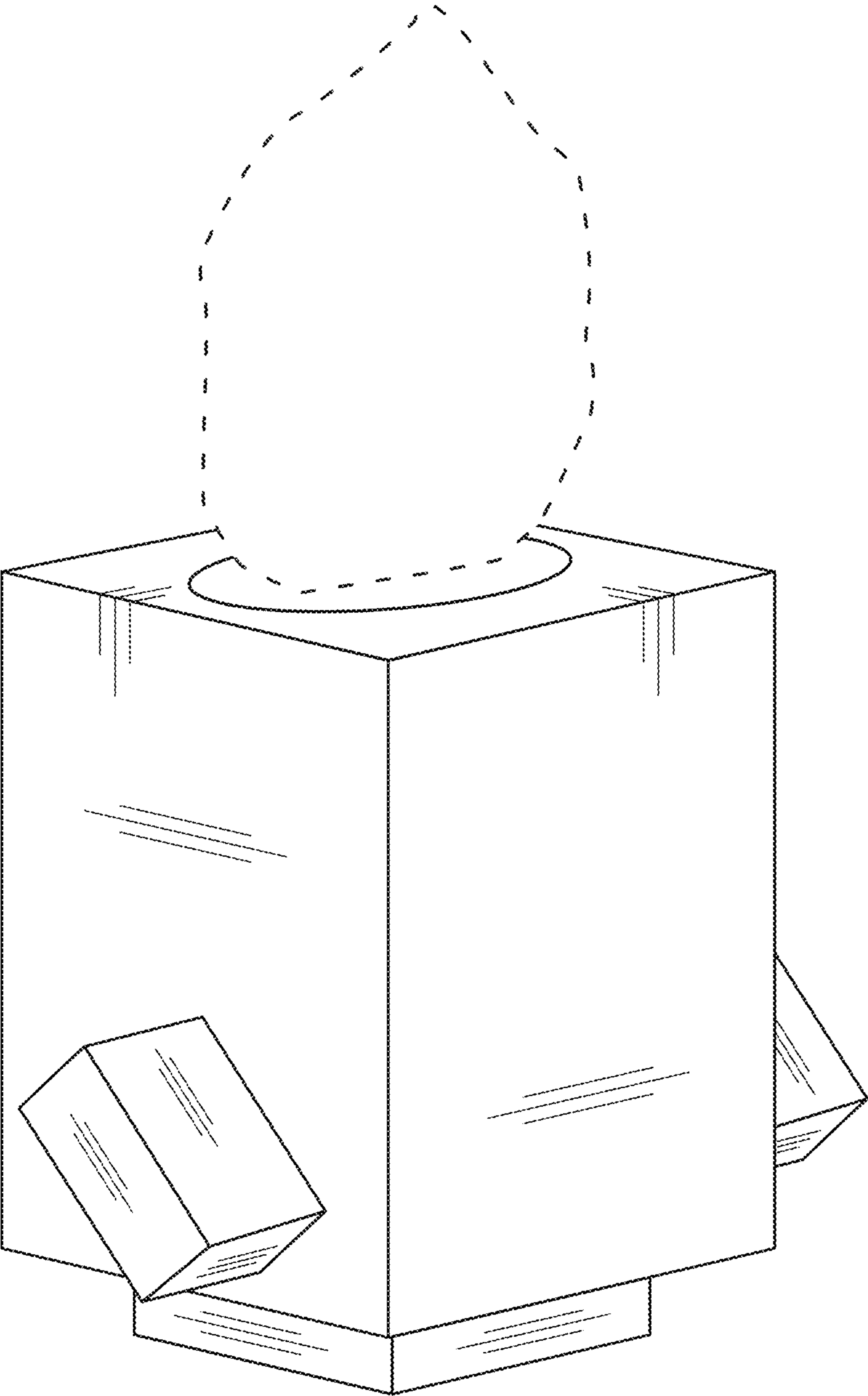


Fig. 2

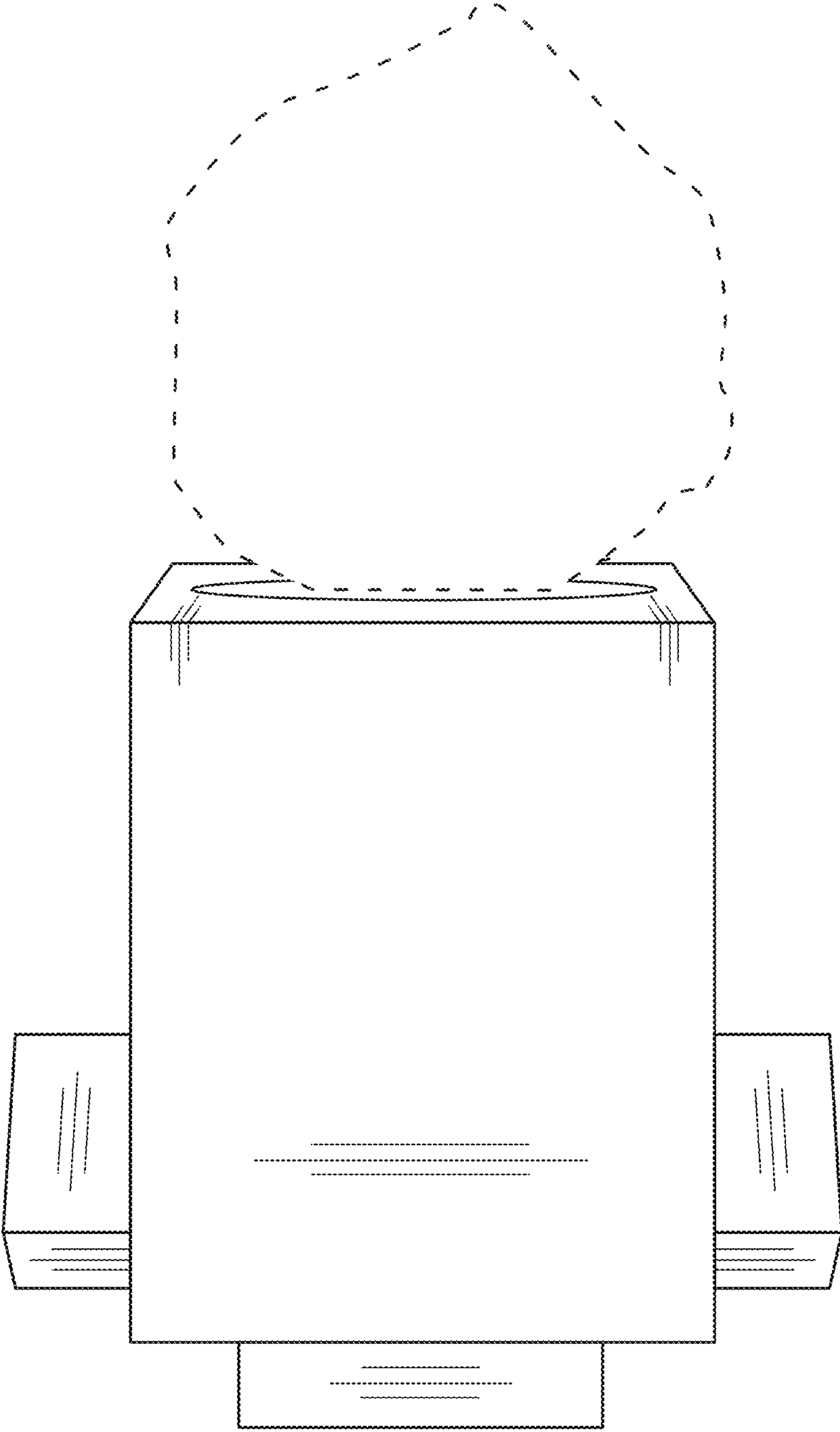


Fig. 3

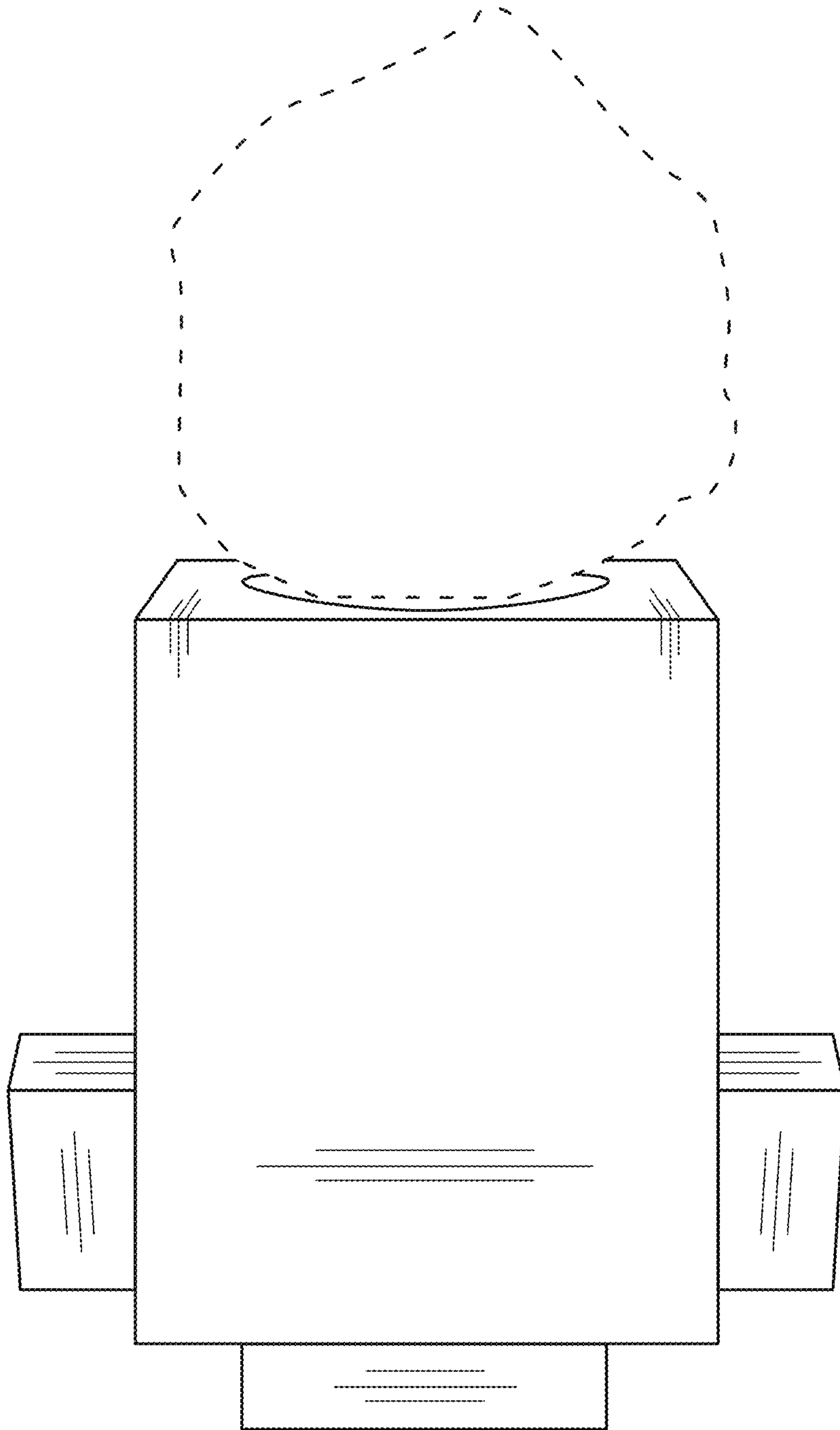


Fig. 4

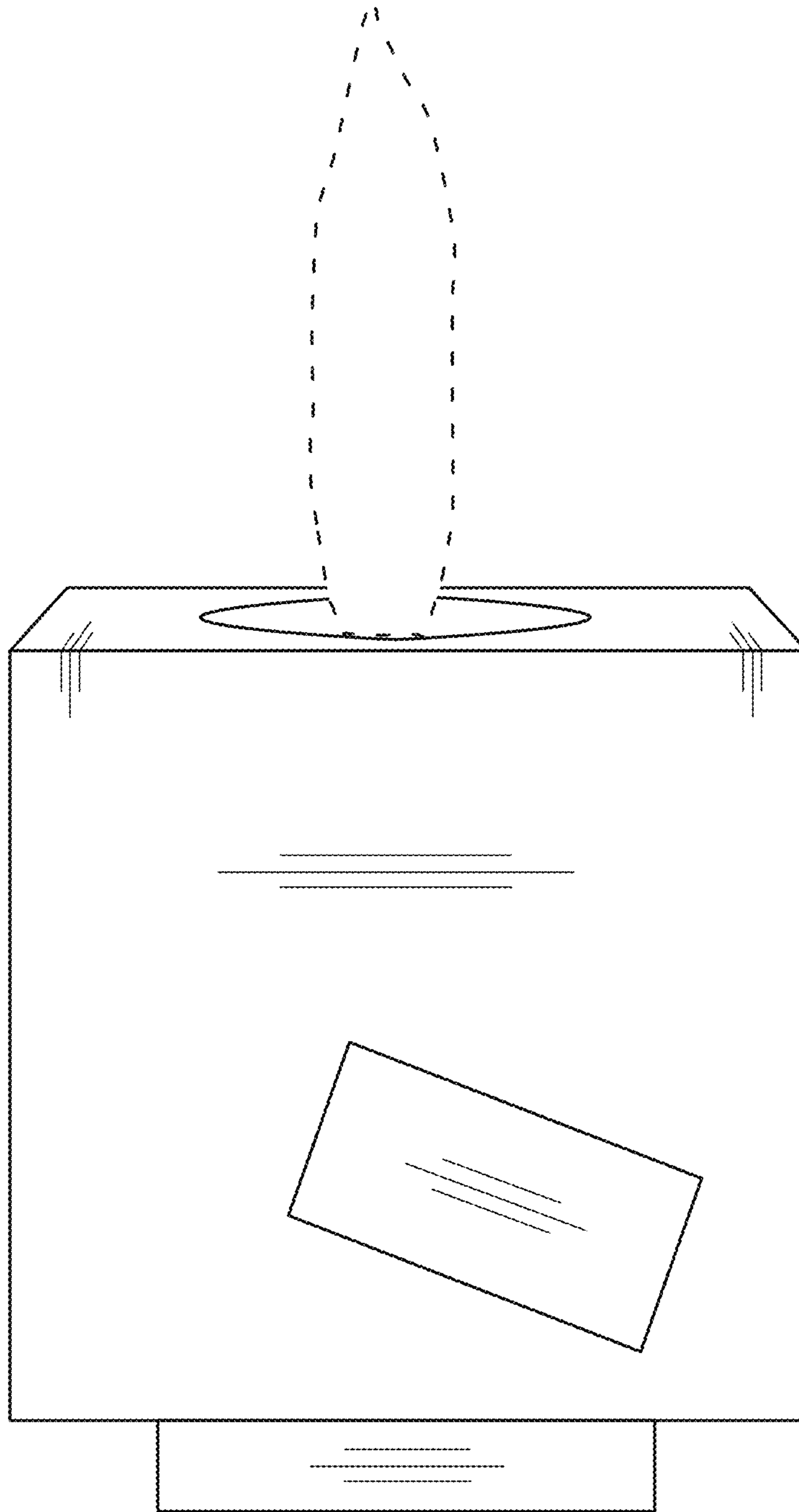


Fig. 5

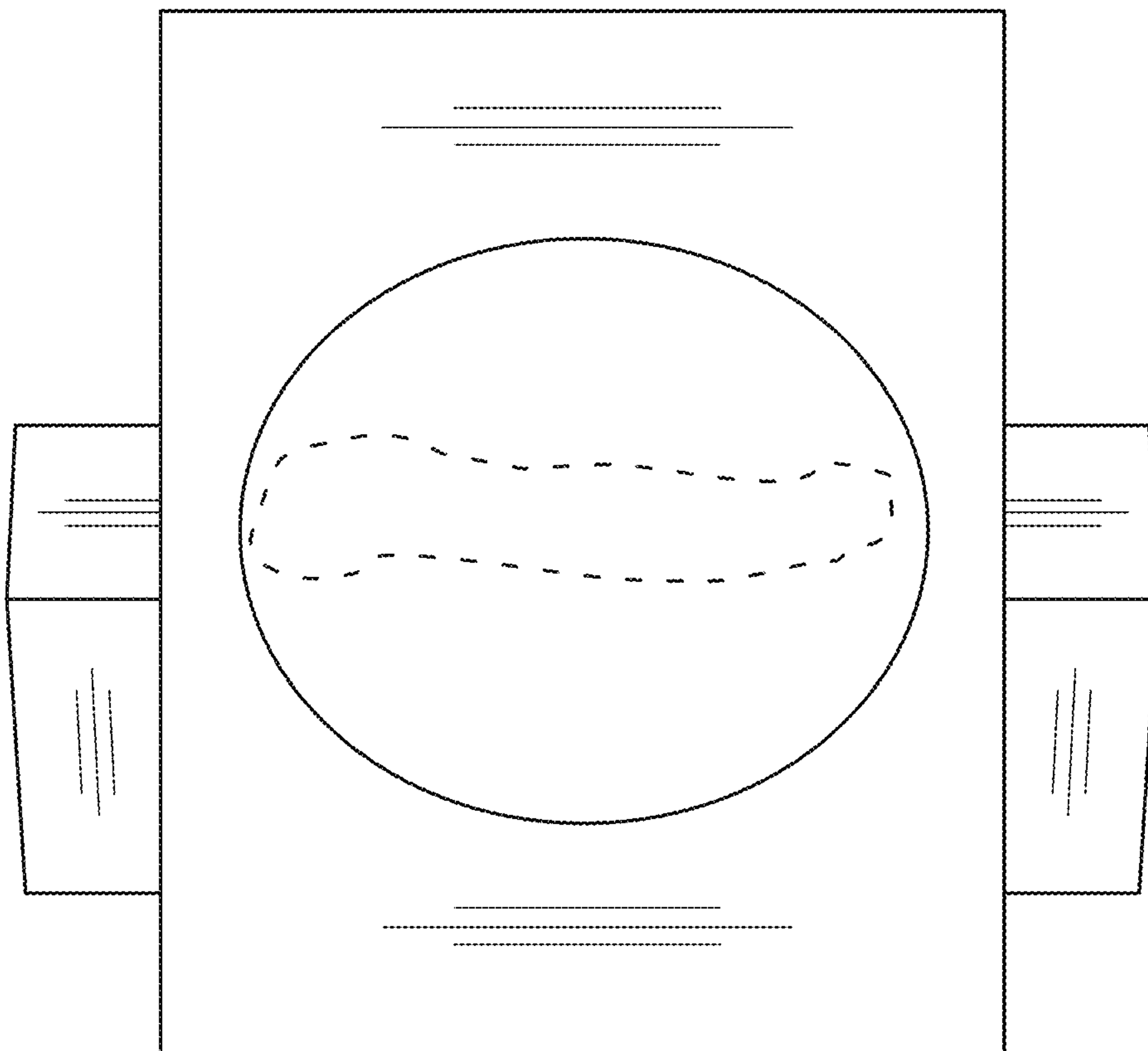


Fig. 6

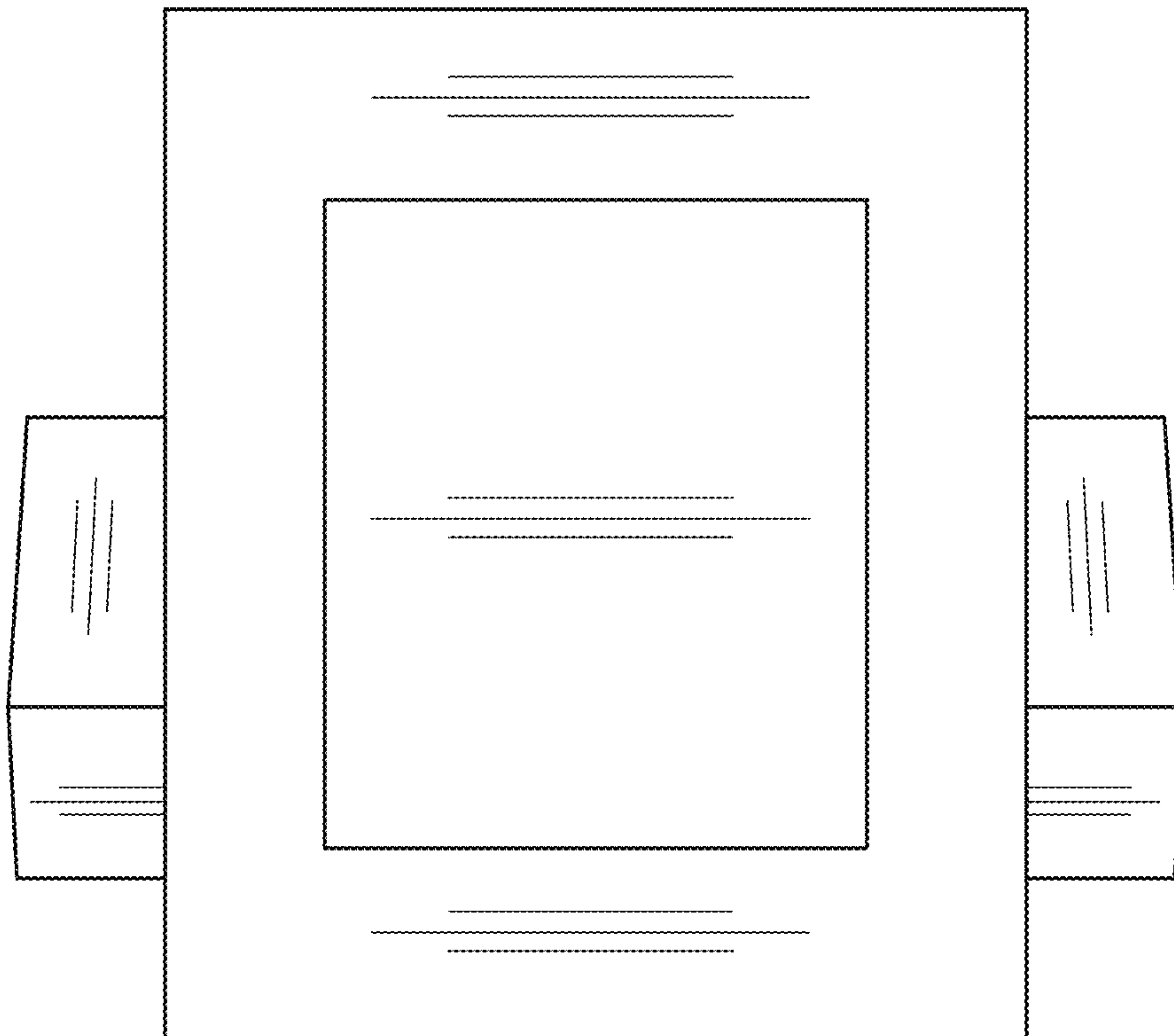


Fig. 7

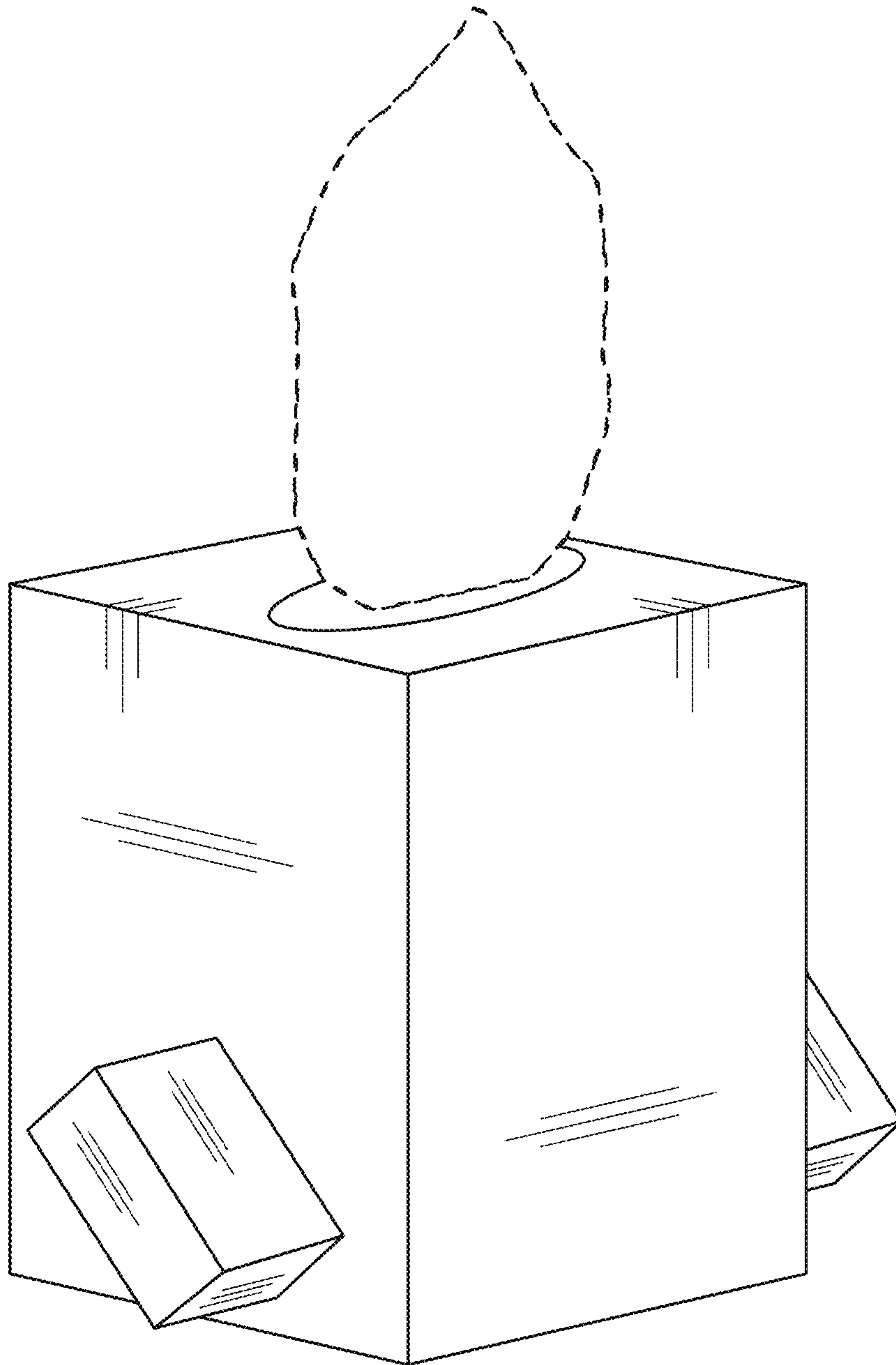


Fig. 8

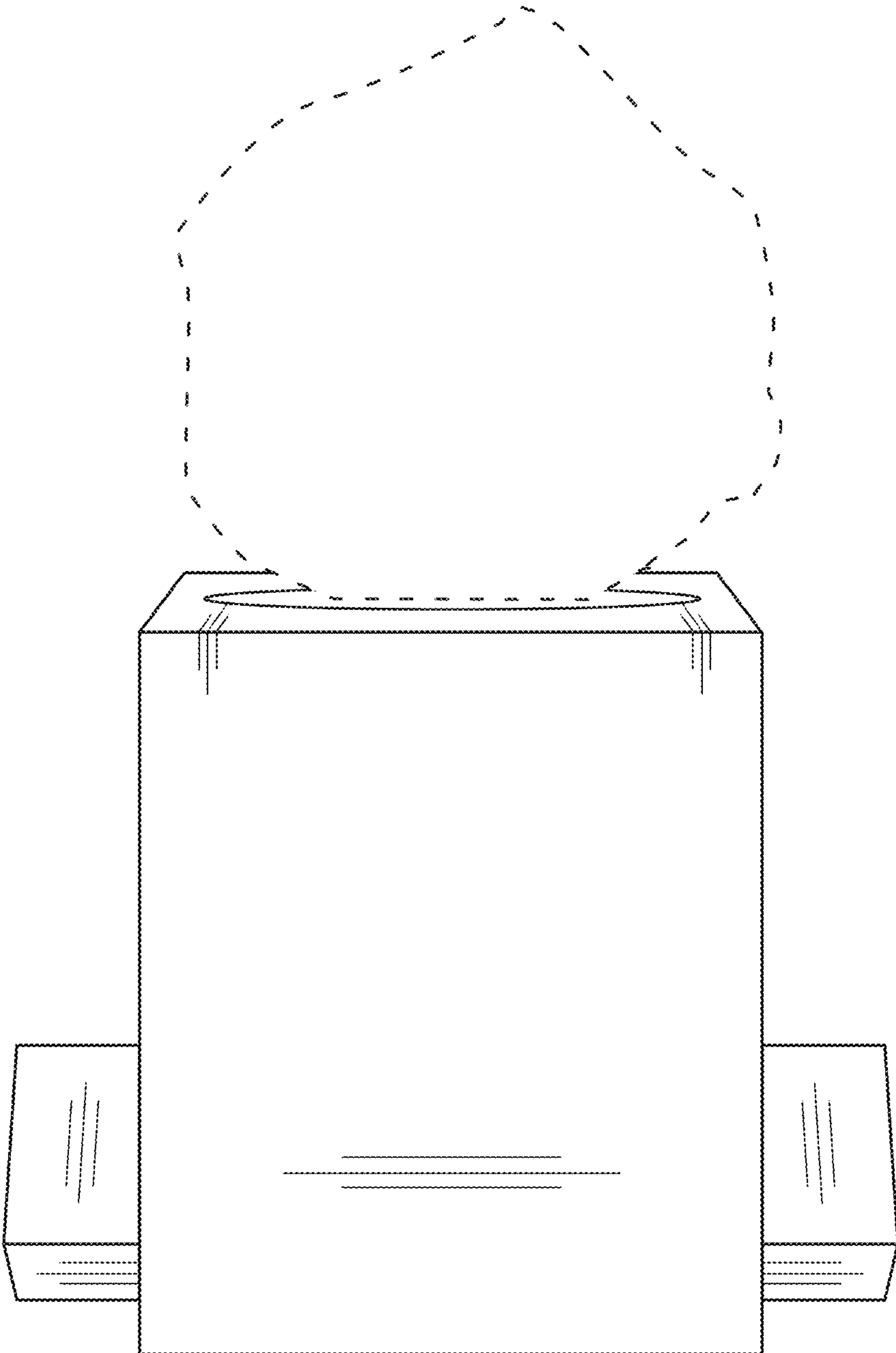


Fig. 9

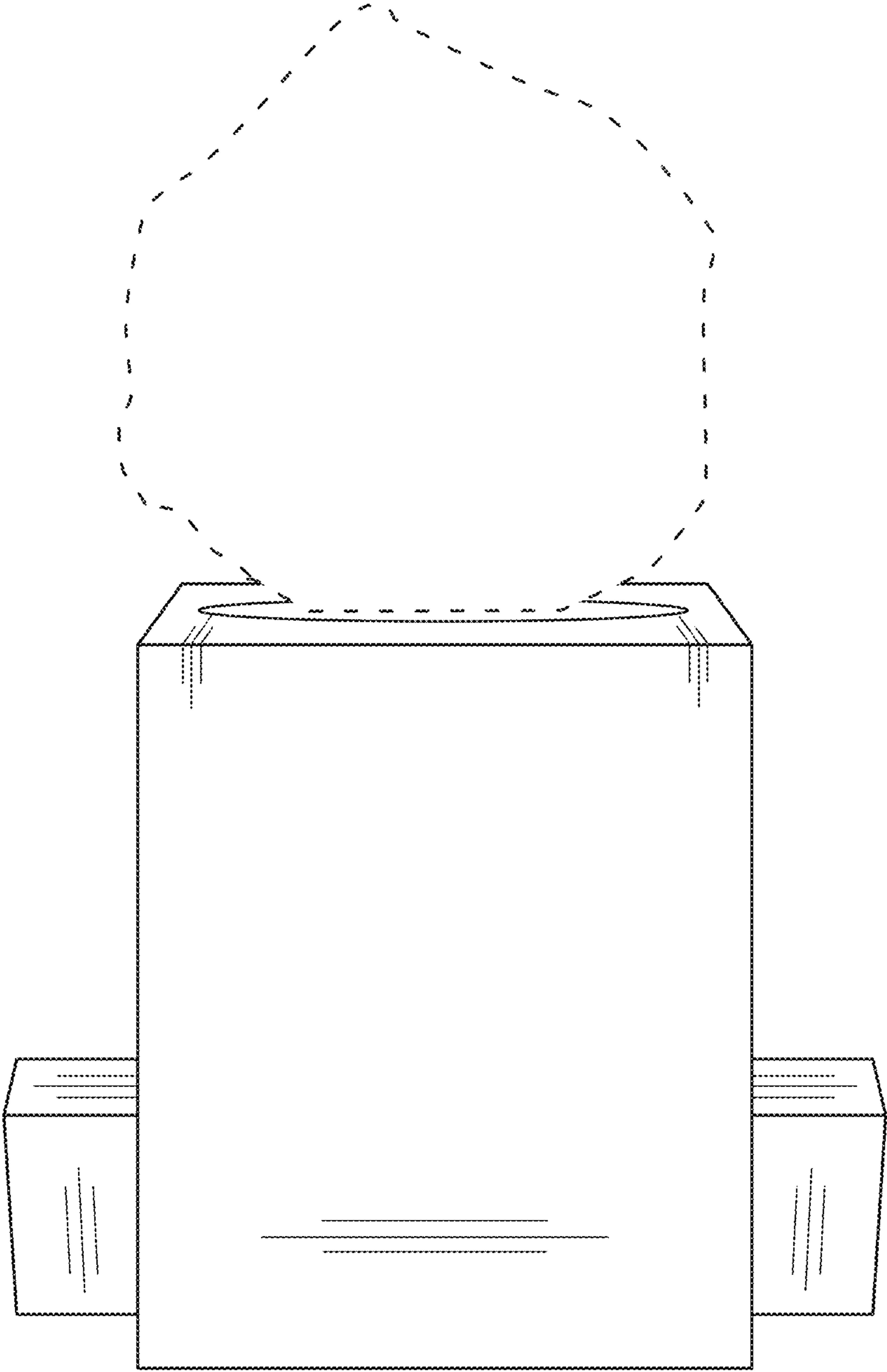


Fig. 10

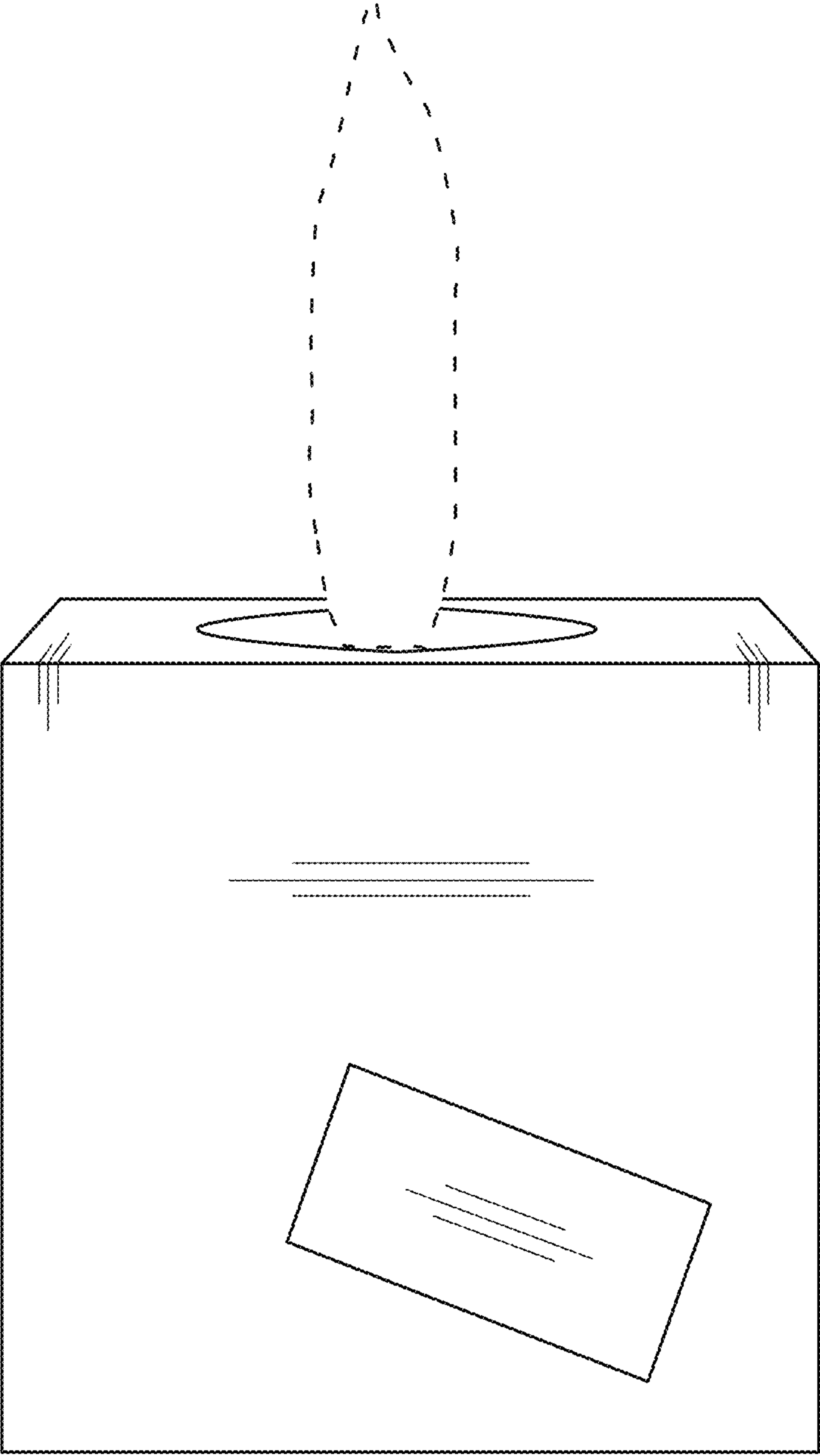


Fig. 11

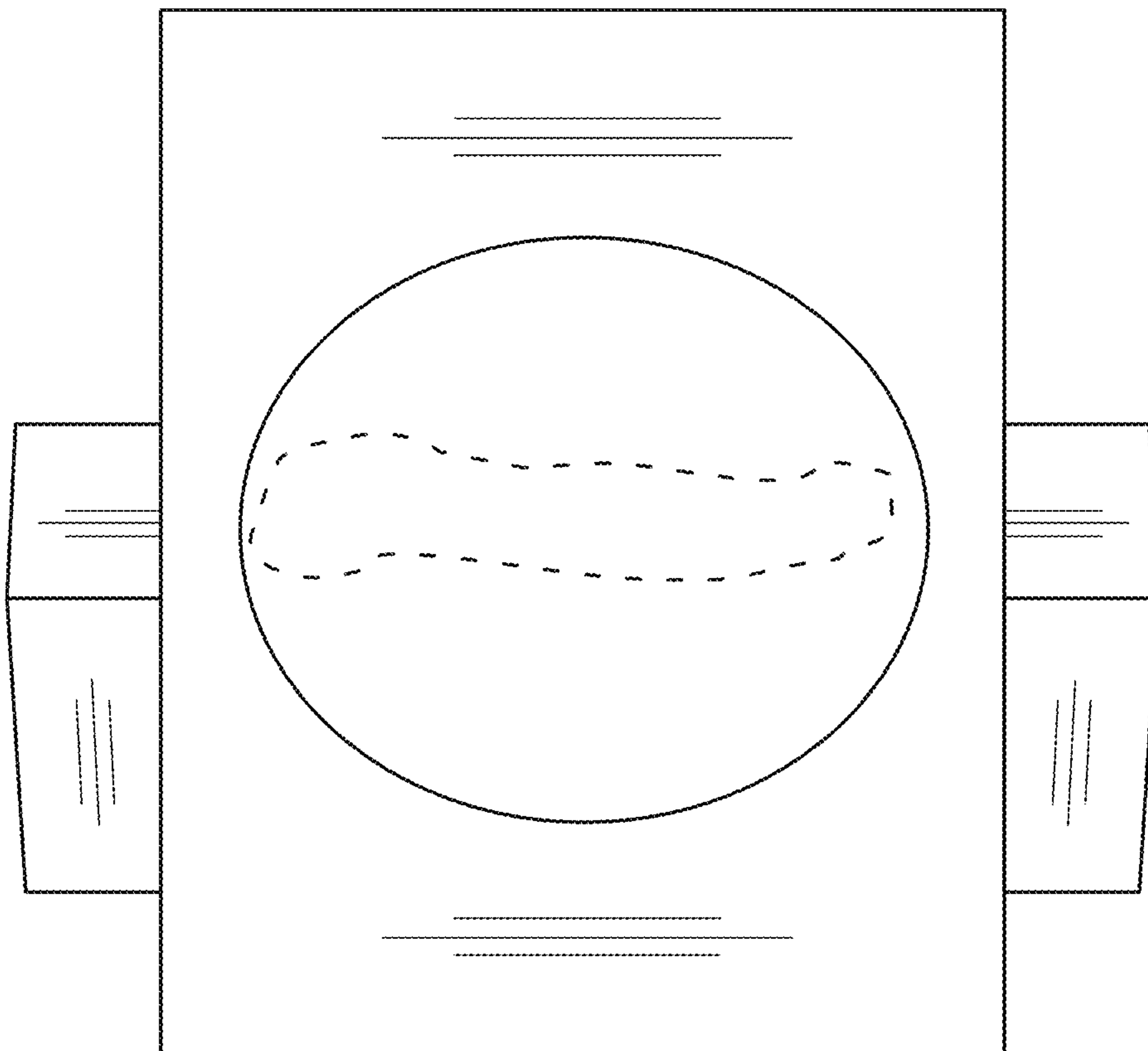


Fig. 12

