



US00D908385S

(12) **United States Design Patent**
Hahne et al.

(10) **Patent No.:** **US D908,385 S**

(45) **Date of Patent:** **** Jan. 26, 2021**

(54) **CHILD CHAIR**

(71) Applicants: **Jesse Hahne**, Elk River, MN (US);
Marc McCauley, Elk River, MN (US);
Mike Store, Savage, MN (US)

(72) Inventors: **Jesse Hahne**, Elk River, MN (US);
Marc McCauley, Elk River, MN (US);
Mike Store, Savage, MN (US)

(73) Assignee: **Norix Group, Inc.**, West Chicago, IL (US)

(**) Term: **15 Years**

(21) Appl. No.: **29/676,653**

(22) Filed: **Jan. 13, 2019**

(51) **LOC (13) Cl.** **06-01**

(52) **U.S. Cl.**

USPC **D6/377; D8/381**

(58) **Field of Classification Search**

USPC D6/329, 334, 367-376, 358-366, 353,
D6/335-340, 352, 377-383, 392-395,
D6/710-712, 716, 716.1, 716.2, 716.3;
297/440.1, 440.21, 452.14

CPC .. A47C 11/00; A47C 4/02; A47C 4/03; A47C
4/08; A47C 4/024; A47C 4/025; A47C
4/028; A47C 5/04; A47C 7/16; A47C
5/12; A47C 7/36; A47C 7/40; A47C
9/007; A47C 13/023; A47C 5/08; A47C
17/175; A47C 13/005; A47C 11/005
See application file for complete search history.

(56) **References Cited**

U.S. PATENT DOCUMENTS

D264,027 S * 4/1982 Aronowitz D6/364
D264,403 S * 5/1982 Webb D6/334

D265,443 S * 7/1982 Webb D6/377
D647,317 S * 10/2011 Urquiola D6/377
D669,702 S * 10/2012 Barefoot D6/378
D681,361 S * 5/2013 Silver D6/377
D725,398 S * 3/2015 Lee D6/378
D727,052 S * 4/2015 Lee D6/378
D751,315 S * 3/2016 Schroeder D6/378
D811,108 S * 2/2018 Hiyoshi D6/375
D818,733 S * 5/2018 Hiyoshi D6/377
D821,775 S * 7/2018 Levine D6/377
D832,609 S * 11/2018 Hecht D6/377

* cited by examiner

Primary Examiner — Keli L Hill

Assistant Examiner — Sara S Sahneh

(74) *Attorney, Agent, or Firm* — James D Palmatier;
Applied Patent Services, PC

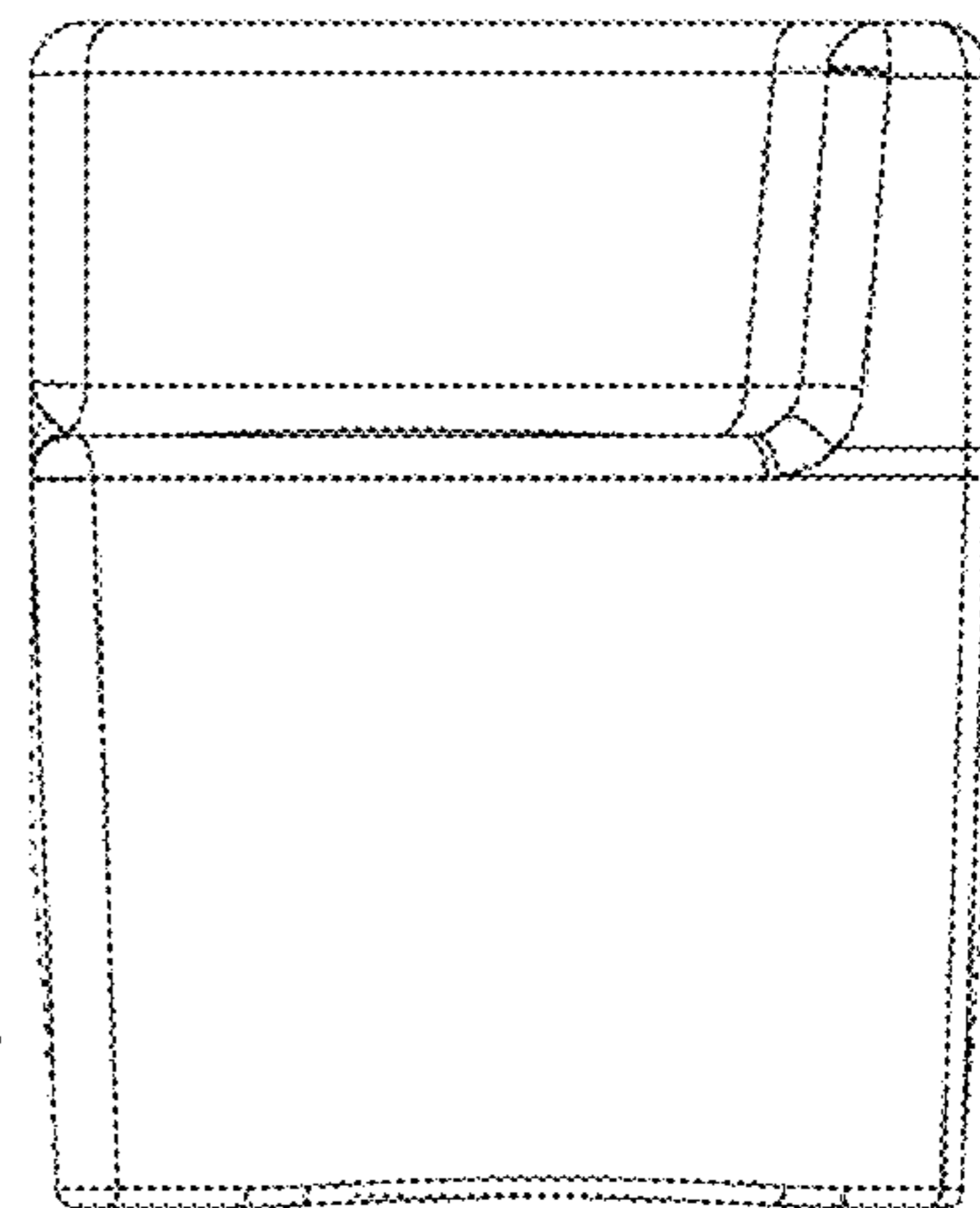
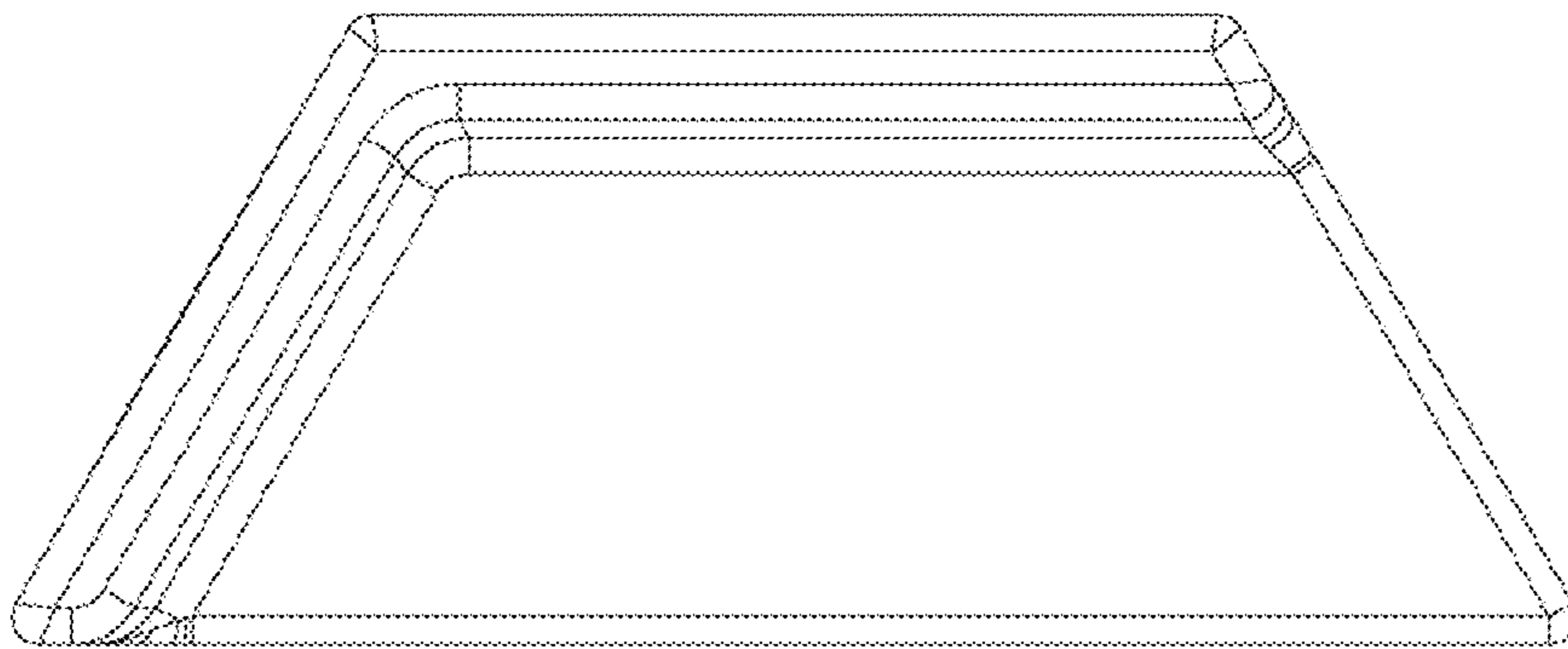
(57) **CLAIM**

The ornamental design for child chair, as shown and described.

DESCRIPTION

FIG. 1 is a top plan view of a child chair design;
FIG. 2 is a front elevation view of the child chair design of FIG. 1;
FIG. 3 is a left side elevation view of the child chair design of FIG. 1; and,
FIG. 4 is a top perspective view of the child chair design of FIG. 1.
The broken line portion of the drawings is included to show portions of the article that forms no part of the claimed design.

1 Claim, 1 Drawing Sheet



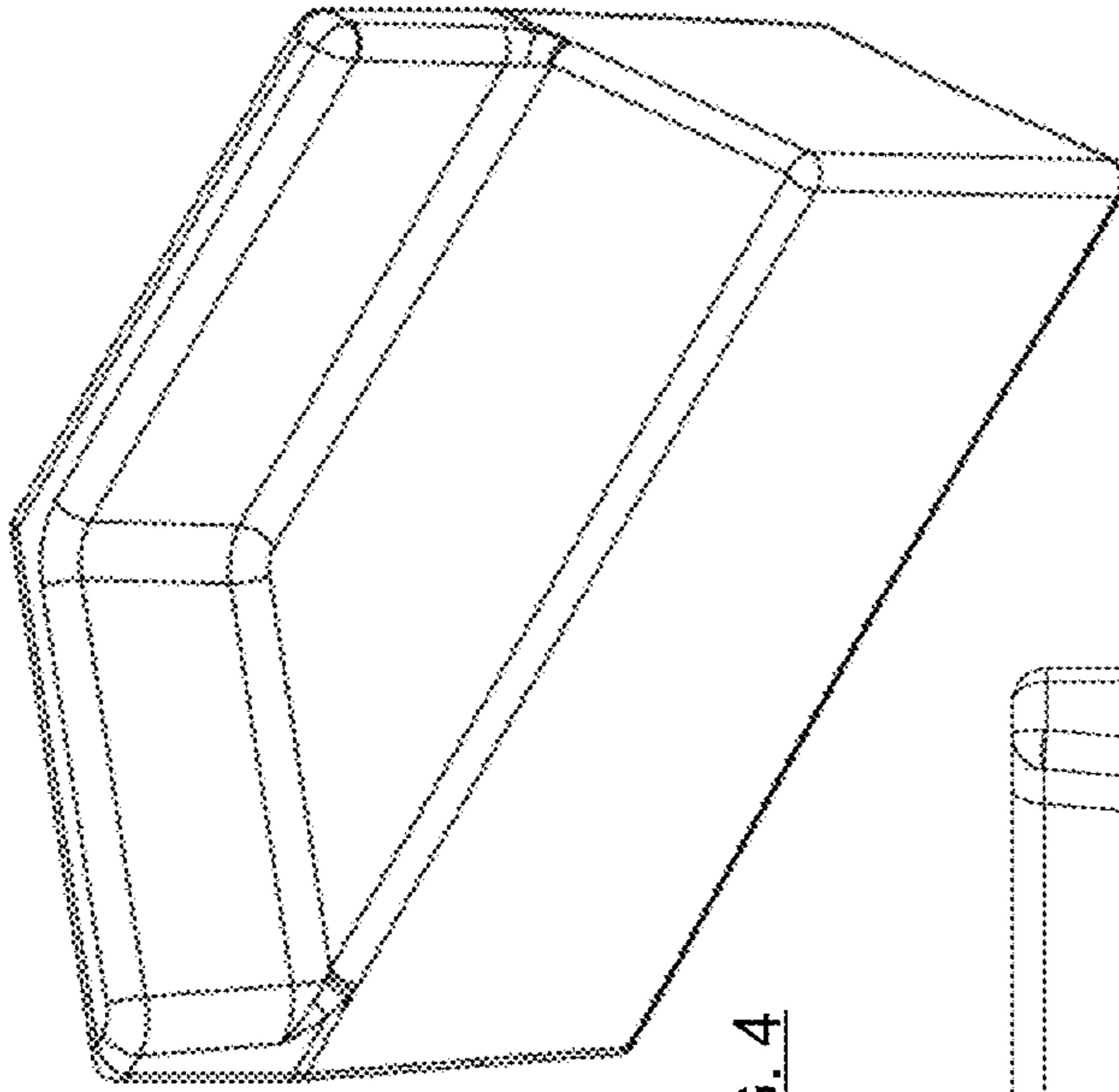


FIG. 4

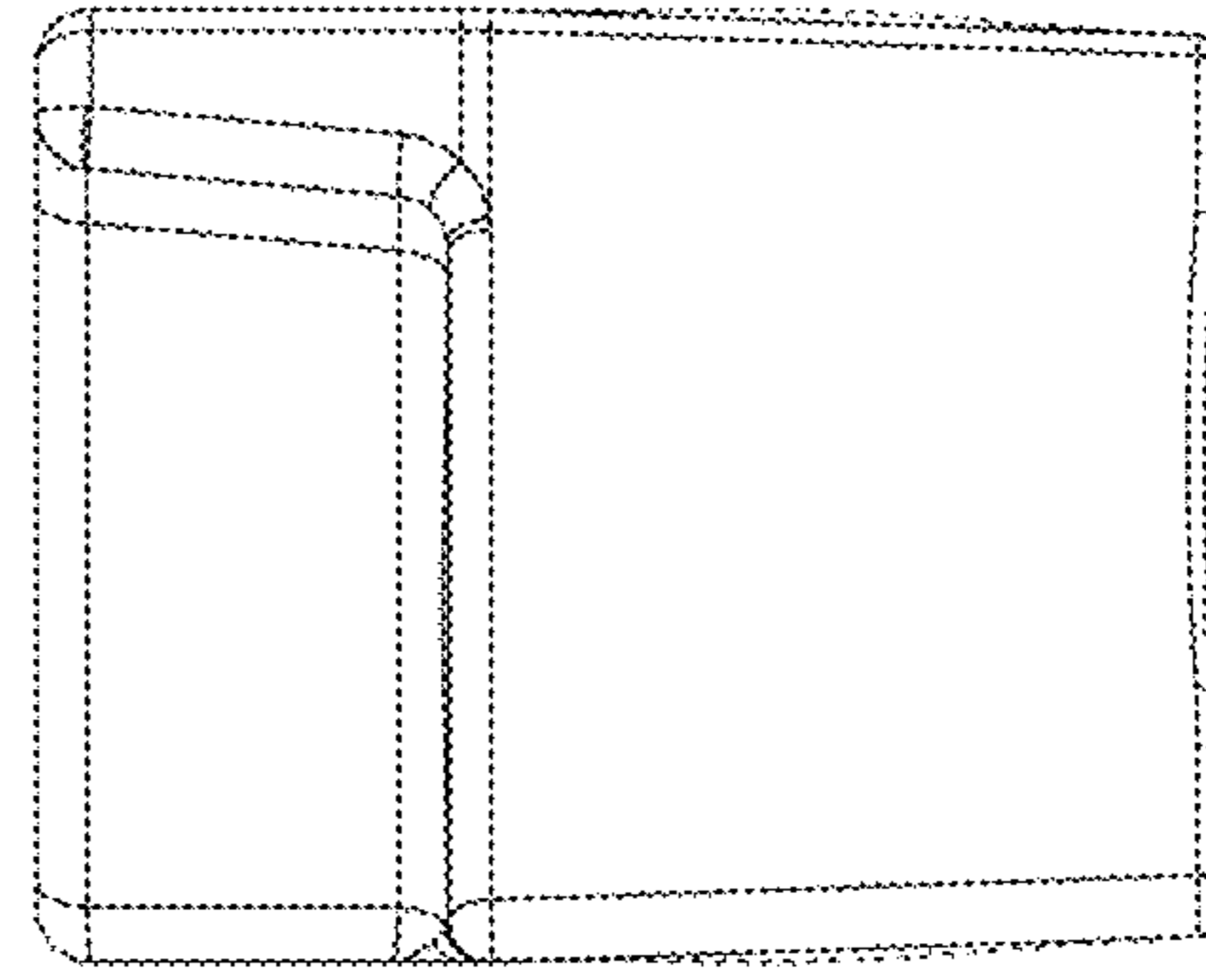


FIG. 3

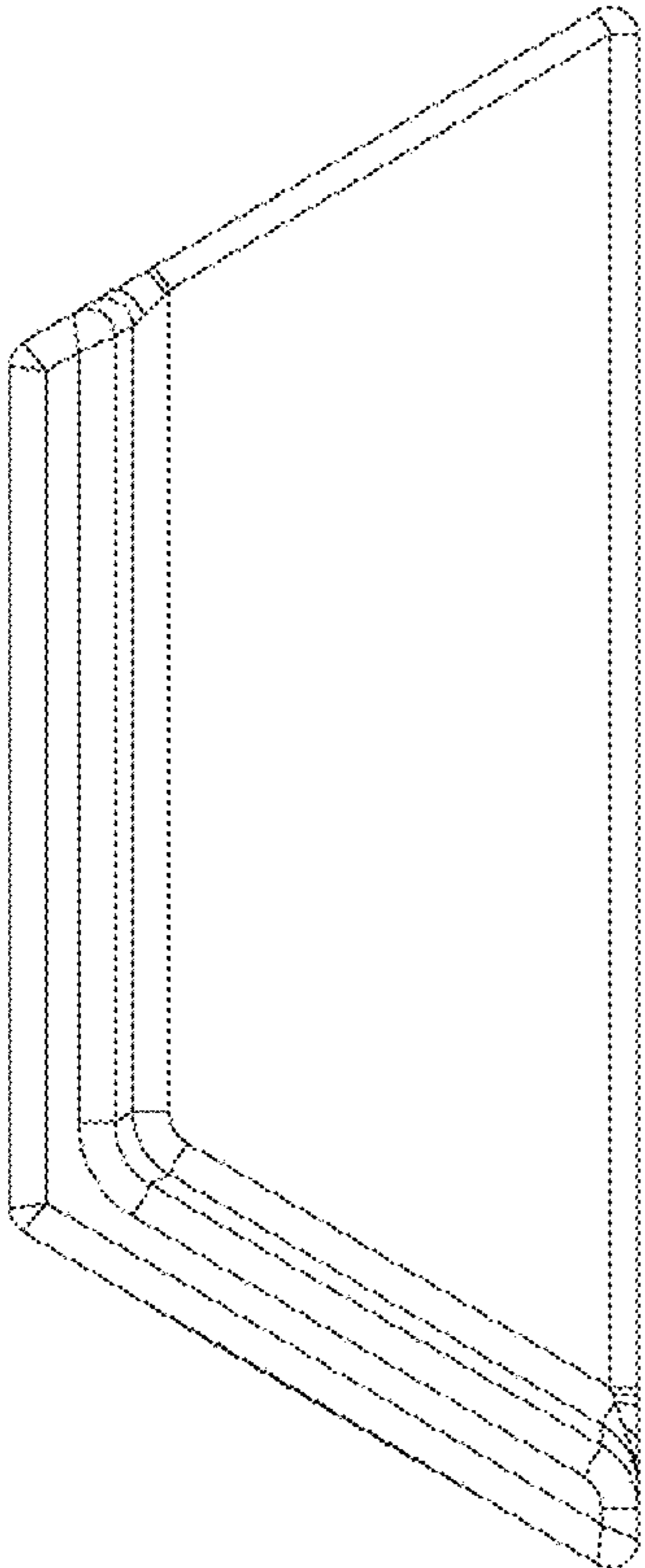


FIG. 1

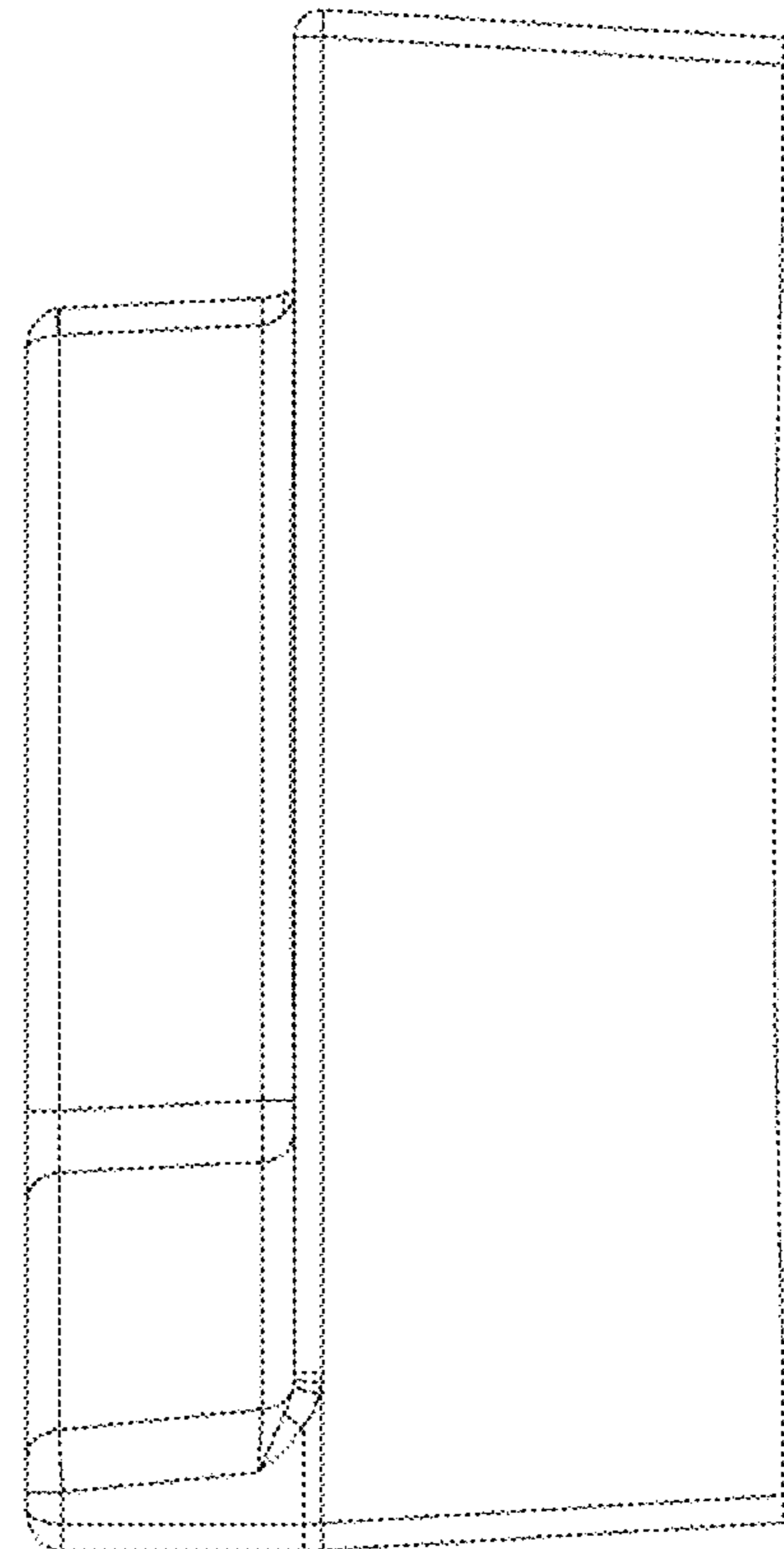


FIG. 2