



US00D908384S

(12) **United States Design Patent** (10) **Patent No.:** **US D908,384 S**
Davidson (45) **Date of Patent:** **** Jan. 26, 2021**

(54) **FOAM CHAIR**

(71) Applicant: **KLD IP Holdings, LLC**, Neosho, MO (US)

(72) Inventor: **Richard D. Davidson**, Neosho, MO (US)

(73) Assignee: **KLD IP Holdings, LLC**, Neosho, MO (US)

(**) Term: **15 Years**

(21) Appl. No.: **29/722,206**

(22) Filed: **Jan. 27, 2020**

(51) **LOC (13) Cl.** **06-01**

(52) **U.S. Cl.**
USPC **D6/371**

(58) **Field of Classification Search**
USPC D6/334, 336, 358, 360, 361, 362, 364, D6/368, 369, 370, 371, 373, 375, 376, D6/377, 379, 380, 381, 390, 378; D5/47; D30/118; D16/237
CPC A47C 1/026; A47C 1/032; A47C 1/143; A47C 1/146; A47C 3/04; A47C 4/02; A47C 4/12; A47C 4/46; A47C 5/06; A47C 5/10; A47C 5/12; A47C 5/125; A47C 7/40; A47C 15/006; A47C 17/162; A47C 17/1753; A47C 20/04; A47C 20/08; A47C 23/24; A47C 31/11; Y10S 297/02; Y10S 297/90
See application file for complete search history.

(56) **References Cited**
U.S. PATENT DOCUMENTS

2,940,513 A * 6/1960 Holden A47C 5/005 297/440.12

3,312,503 A * 4/1967 Suzuki A47C 5/005 297/440.12

3,331,634 A * 7/1967 Harrison, Jr. A47C 4/03 297/440.12

3,463,546 A * 8/1969 Giebel A47C 5/005 297/440.12

3,695,703 A * 10/1972 Notko A47C 5/005 297/440.12

3,717,377 A * 2/1973 Johnson A47C 5/005 297/440.12

4,027,888 A * 6/1977 Wilcox A47C 3/16 297/452.17

D264,898 S * 6/1982 Baker D6/364

D273,922 S * 5/1984 Geneve D6/375

D352,182 S * 11/1994 Yoshimura D6/335

D550,974 S * 9/2007 Thornbury D6/361

D571,114 S * 6/2008 Miyakawa D6/368

D587,918 S * 3/2009 Bergman D6/381

D610,365 S * 2/2010 Young-il D6/375

D613,958 S * 4/2010 Holbrook D6/378

D643,638 S * 8/2011 Weichselbaumer D6/361

D727,650 S * 4/2015 Lee D6/378

D749,868 S * 2/2016 Nikolajsen D6/378

D751,310 S * 3/2016 Schroeder D6/364

D751,315 S * 3/2016 Schroeder D6/378

(Continued)

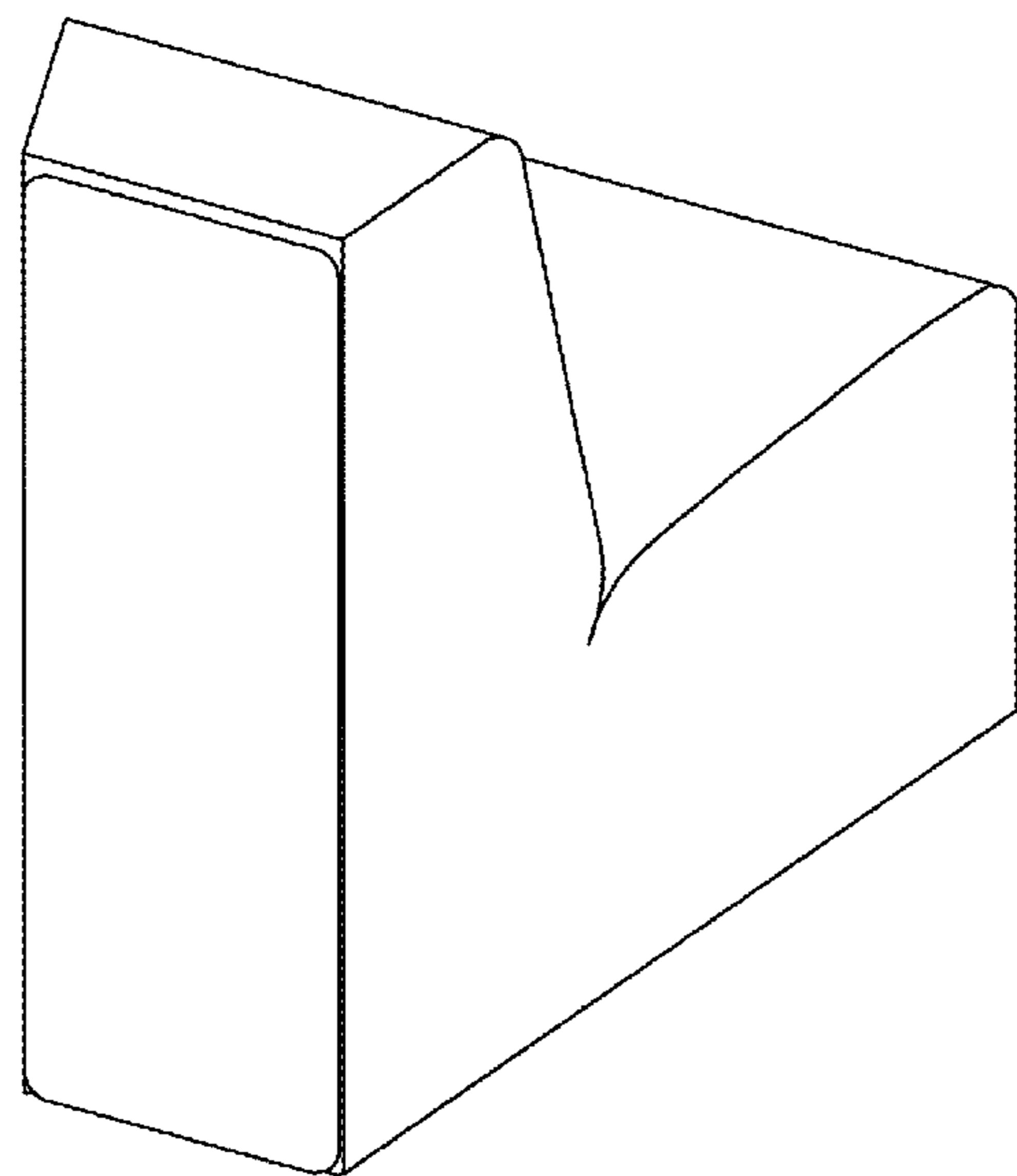
Primary Examiner — Kevin K Rudzinski
Assistant Examiner — Paul D Bohannon
 (74) *Attorney, Agent, or Firm* — Martin & Associates, LLC; Derek P. Martin

(57) **CLAIM**
 The ornamental design for a foam chair, as shown and described.

DESCRIPTION

FIG. 1 is a perspective view of a foam chair showing the new design;
 FIG. 2 is a left side view thereof, with the right side view being a mirror image;
 FIG. 3 is a top view thereof;
 FIG. 4 is a bottom view thereof;
 FIG. 5 is a rear view thereof; and,
 FIG. 6 is a front view thereof.

1 Claim, 5 Drawing Sheets



(56)

References Cited

U.S. PATENT DOCUMENTS

D817,653 S * 5/2018 Lee D6/361
D892,511 S * 8/2020 Yeung D6/364

* cited by examiner

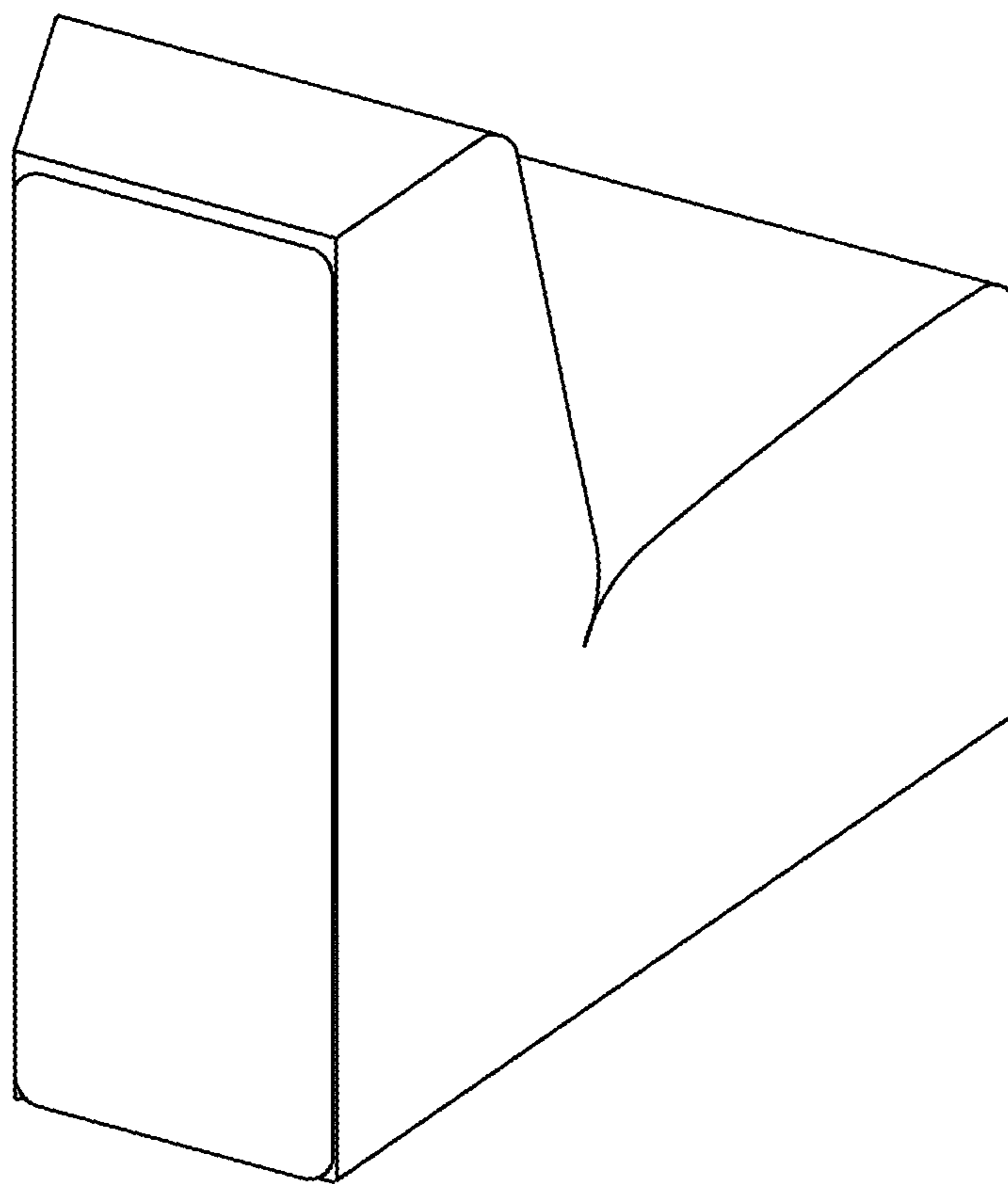


FIG. 1

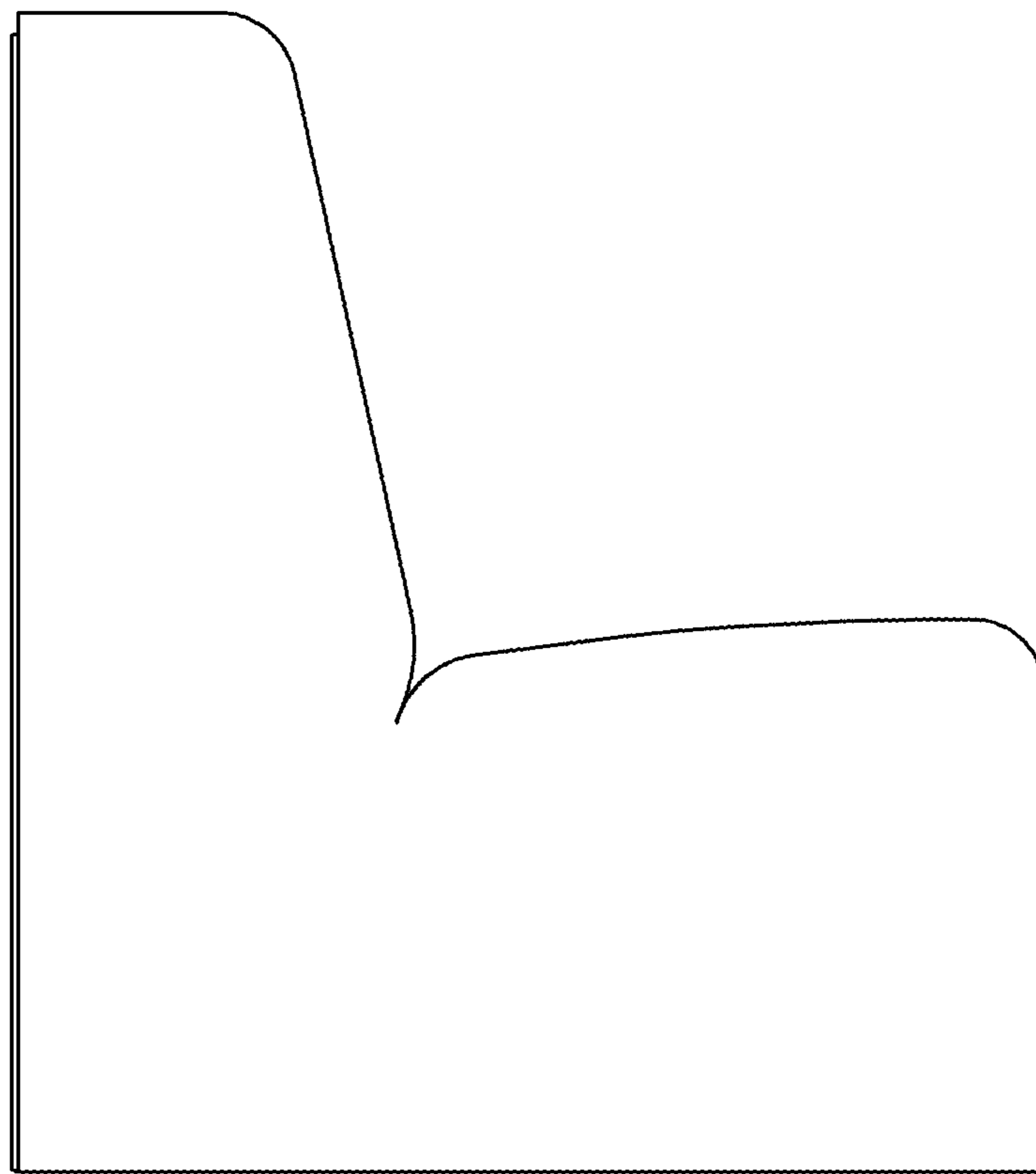


FIG. 2

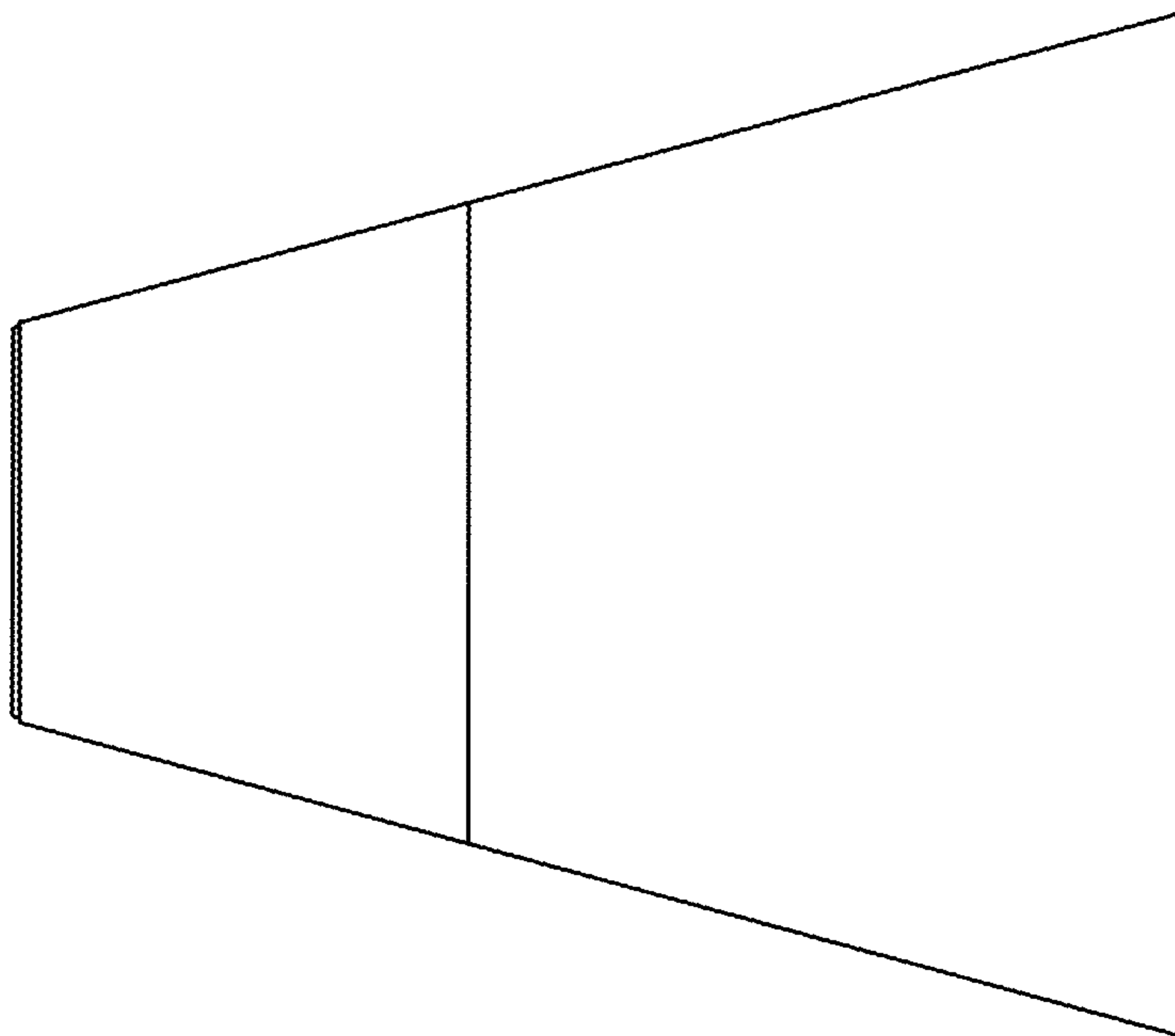


FIG. 3

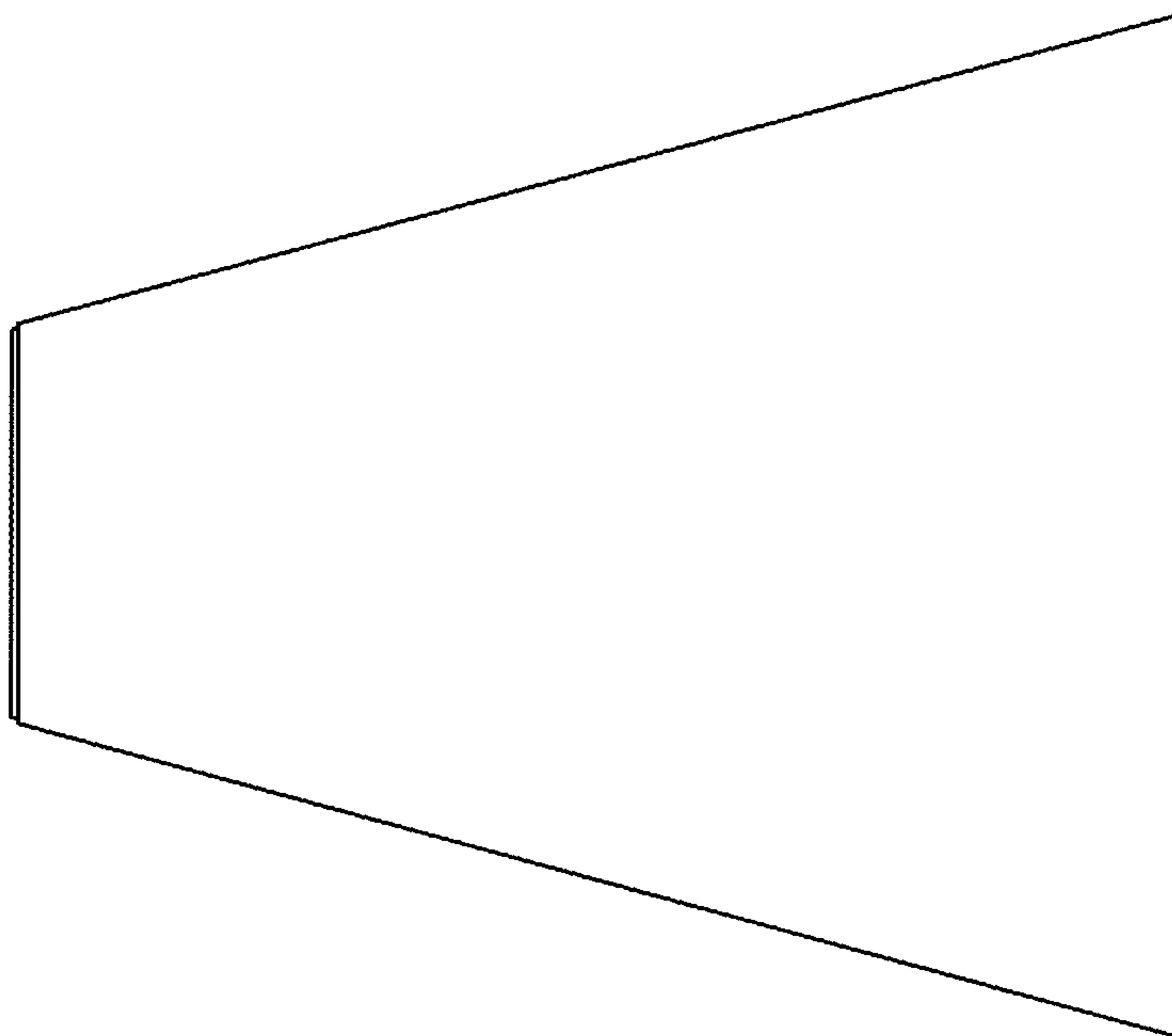


FIG. 4

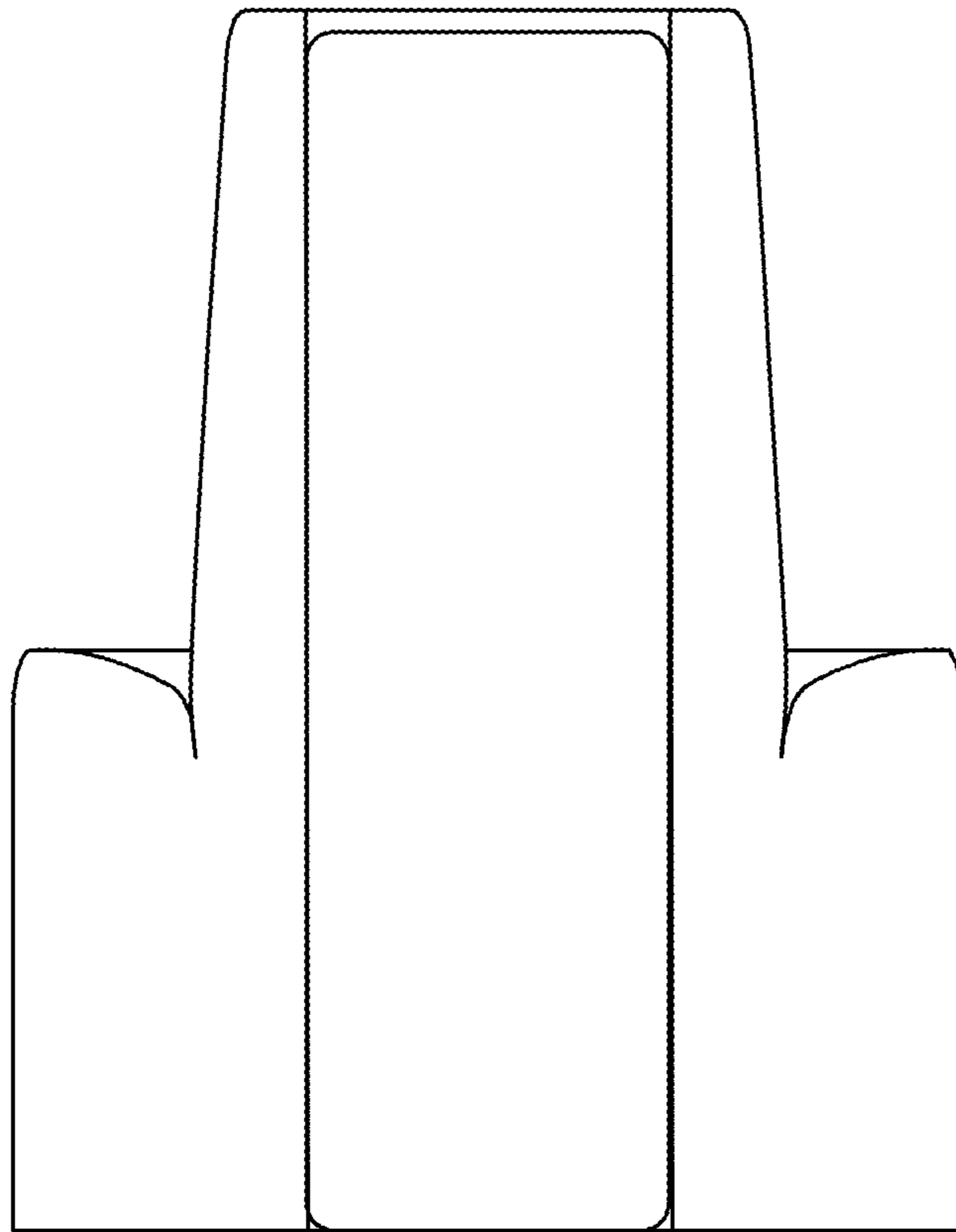


FIG. 5

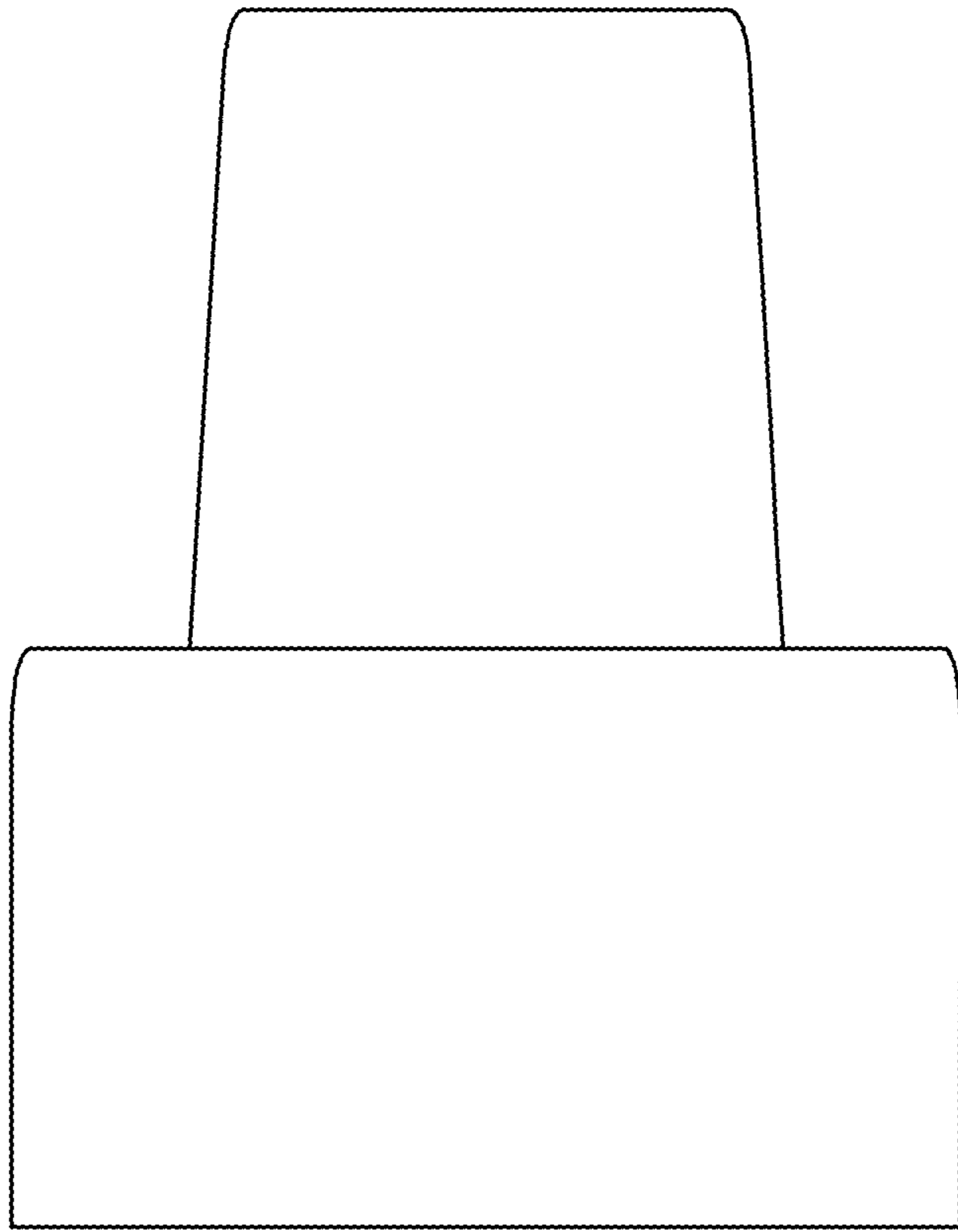


FIG. 6