



US00D908382S

(12) **United States Design Patent**
Iwasaki

(10) **Patent No.:** **US D908,382 S**

(45) **Date of Patent:** **** Jan. 26, 2021**

(54) **CHAIR**

(71) Applicant: **Lakeshore Equipment Company,**
Carson, CA (US)

(72) Inventor: **Kirk Iwasaki,** Cypress, CA (US)

(73) Assignee: **Lakeshore Equipment Company,**
Carson, CA (US)

(**) Term: **15 Years**

(21) Appl. No.: **29/708,708**

(22) Filed: **Oct. 9, 2019**

(51) **LOC (13) Cl.** **06-01**

(52) **U.S. Cl.**
USPC **D6/366**

(58) **Field of Classification Search**
USPC D6/334, 364, 365, 366, 369, 375, 379,
D6/716.1, 716.7
CPC A47C 3/12; A47C 3/18; A47C 3/20; A47C
5/02; A47C 7/24; A47C 7/36; A47C 7/46
See application file for complete search history.

(56) **References Cited**

U.S. PATENT DOCUMENTS

3,142,514	A *	7/1964	Ginat	A47C 3/12 297/451.3
D288,506	S *	3/1987	Ochsner	D6/375
D370,789	S *	6/1996	Groulx	D6/366
D579,224	S *	10/2008	Fancelli	D6/372
D613,956	S *	4/2010	Jehs	D6/375
D641,576	S *	7/2011	Giugiaro	D6/716.4
D649,801	S *	12/2011	Salto	D6/375
D766,605	S *	9/2016	Li	D6/366
D766,637	S *	9/2016	Kirar	D6/716
D767,318	S *	9/2016	Kubryk	D6/716
D802,953	S *	11/2017	Meda	D6/366
D836,929	S *	1/2019	Fletcher	D6/348

D890,537	S *	7/2020	Urquiola	D6/366
D891,800	S *	8/2020	Li	D6/360
2011/0304183	A1 *	12/2011	van Hekken	A47C 7/44 297/313
2016/0106216	A1 *	4/2016	Mehaffey	B29C 45/1704 297/452.14

OTHER PUBLICATIONS

“PantoSwing-VF”; vsamerica; retrieved Oct. 8, 2019; disclosure date unknown but prior to the filing date of the present application; URL: <<http://vsamerica.com/kataloge/gesamtkatalog/details/48251/pantoswing-vf>>.
“Delightfu Gray Leather and Chrome Dining Chairs”; Forig; retrieved Oct. 8, 2019; disclosure date unknown but prior to the filing date of the present application; URL: <<http://www.forig.org/delightful-gray-leather-and-chrome-dining-chairs/buy-dining-chairs-for-high-gloss-dining-tables-3/>>.

* cited by examiner

Primary Examiner — R. Johnson

(74) *Attorney, Agent, or Firm* — Banner & Witcoff, Ltd.

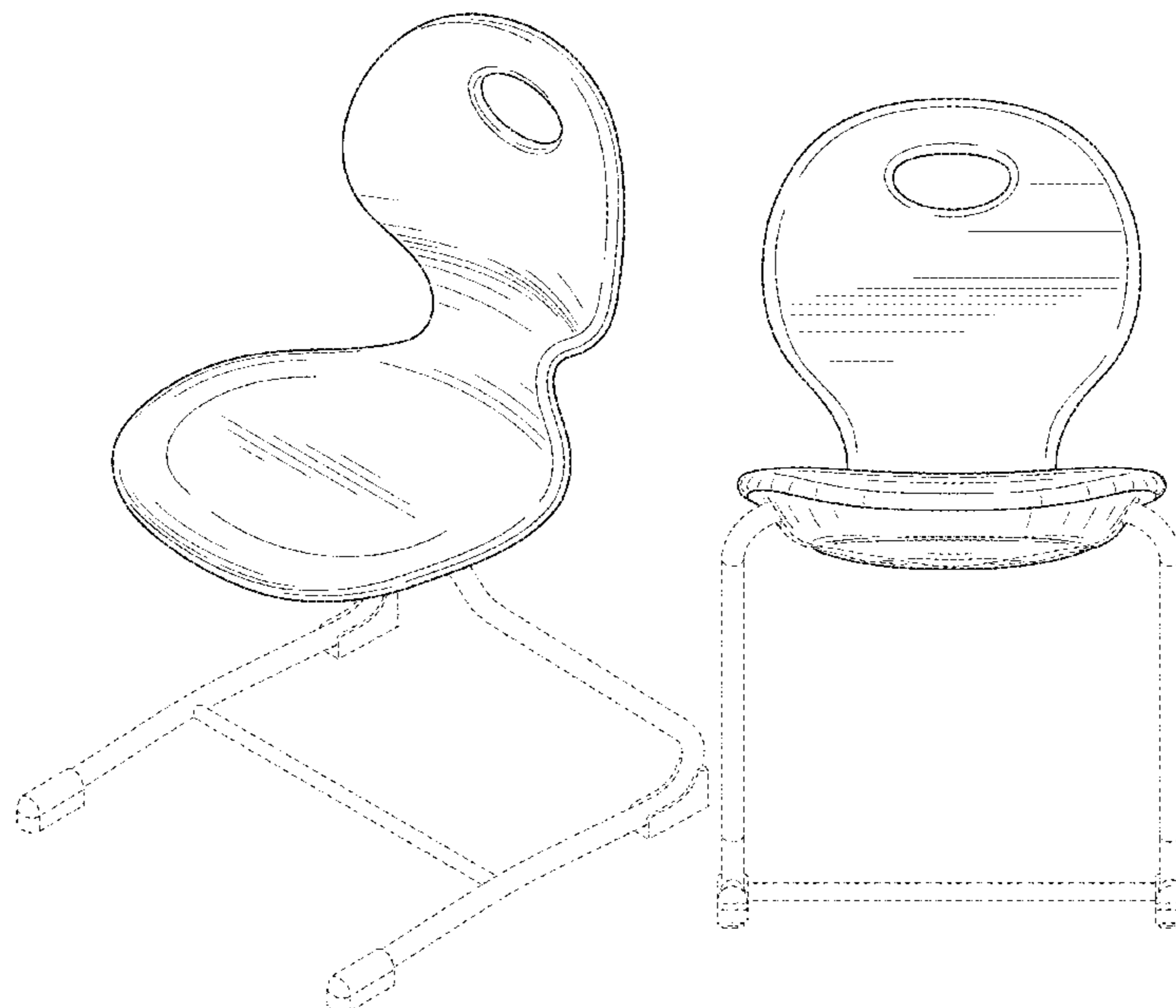
(57) **CLAIM**

The ornamental design for a chair, as shown and described.

DESCRIPTION

FIG. 1 is a top, front, right perspective view of a chair showing my new design;
FIG. 2 is a front view thereof;
FIG. 3 is a rear view thereof;
FIG. 4 is a right side view thereof;
FIG. 5 is a left side view thereof; and,
FIG. 6 is a top view thereof.
The broken lines immediately adjacent to the shaded area define the bounds of the claimed design and form no part thereof. The broken lines depicting the remainder of the chair form no part of the claimed design.

1 Claim, 6 Drawing Sheets



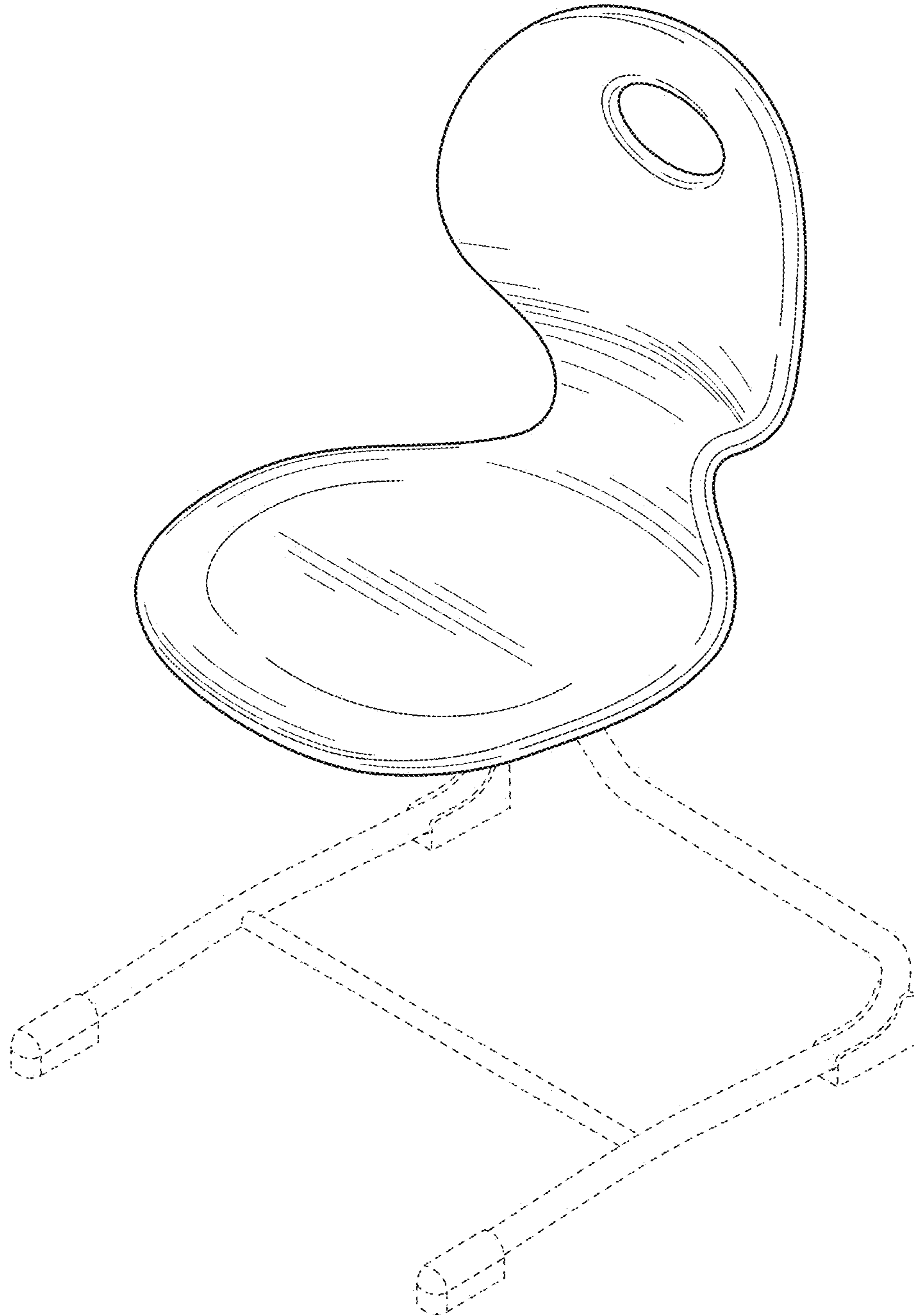


FIG. 1

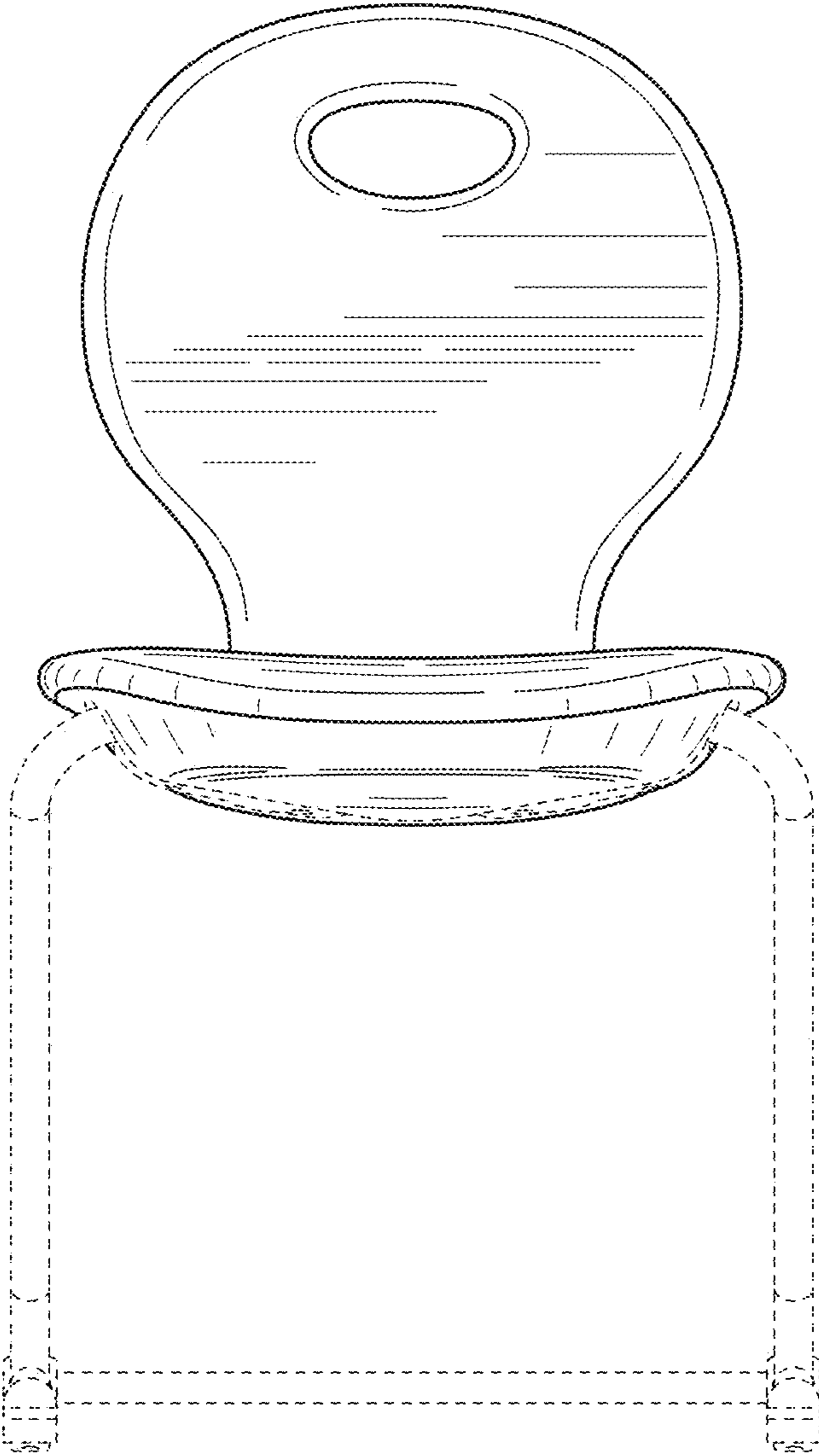


FIG. 2

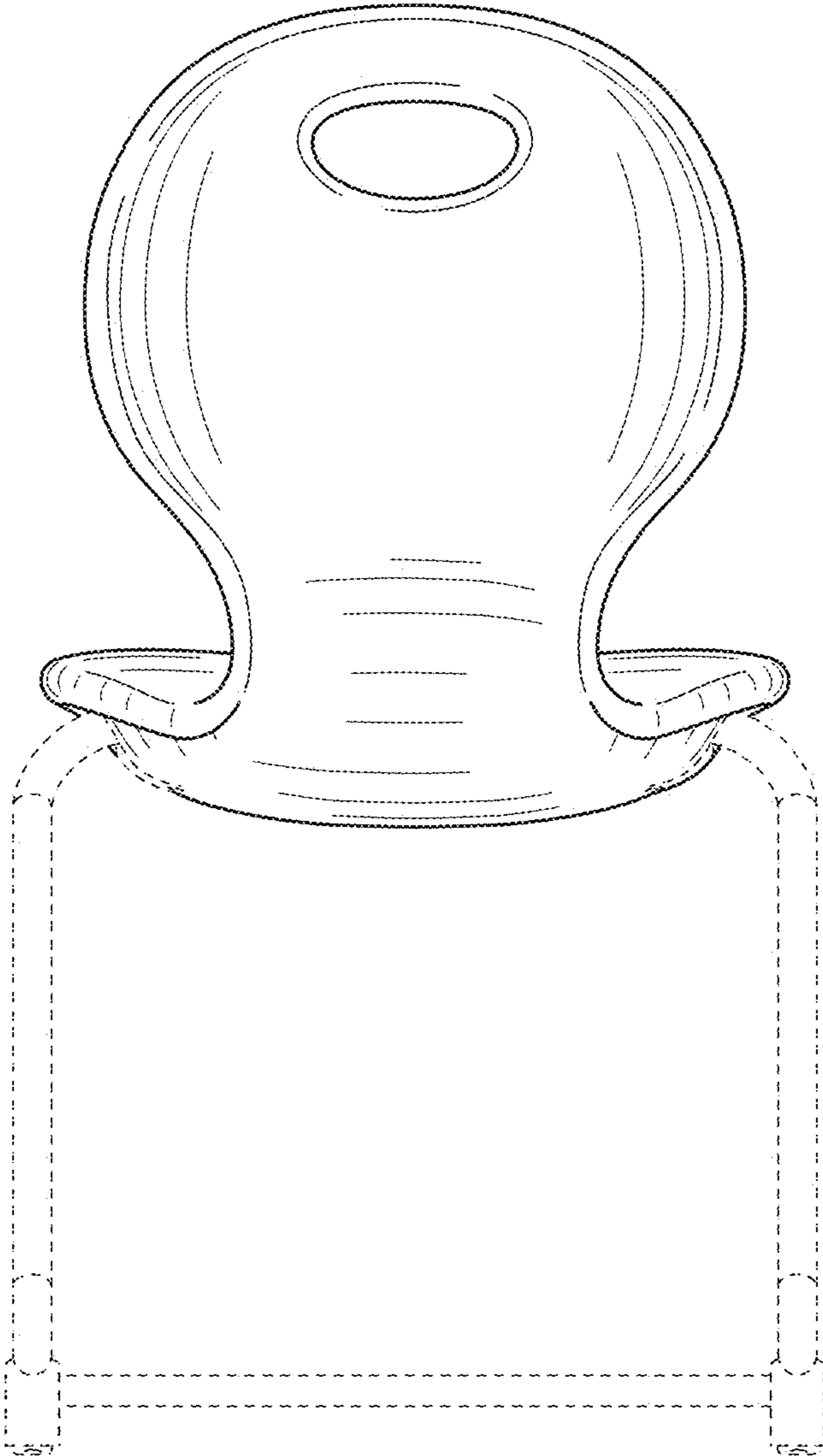


FIG. 3

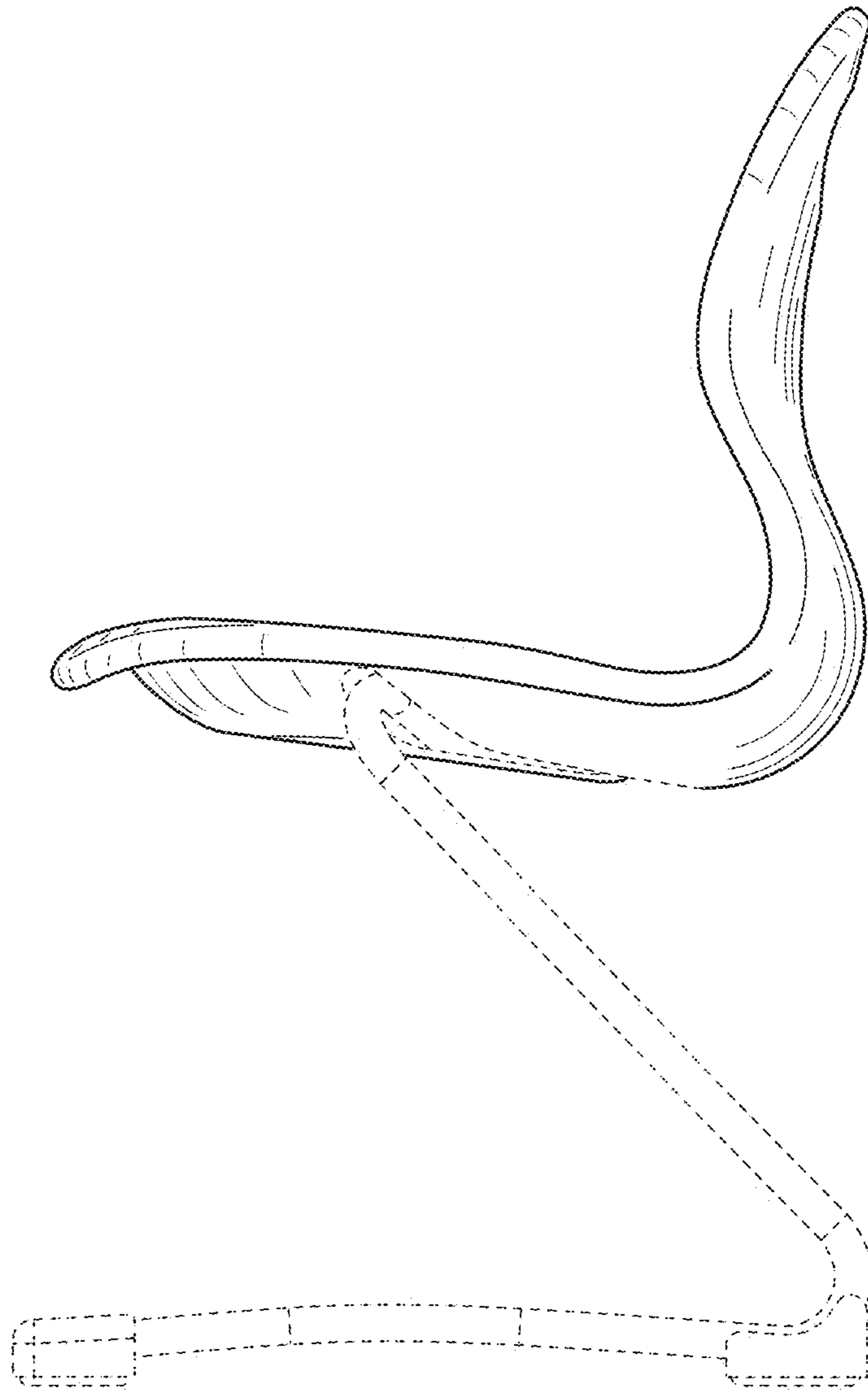


FIG. 4

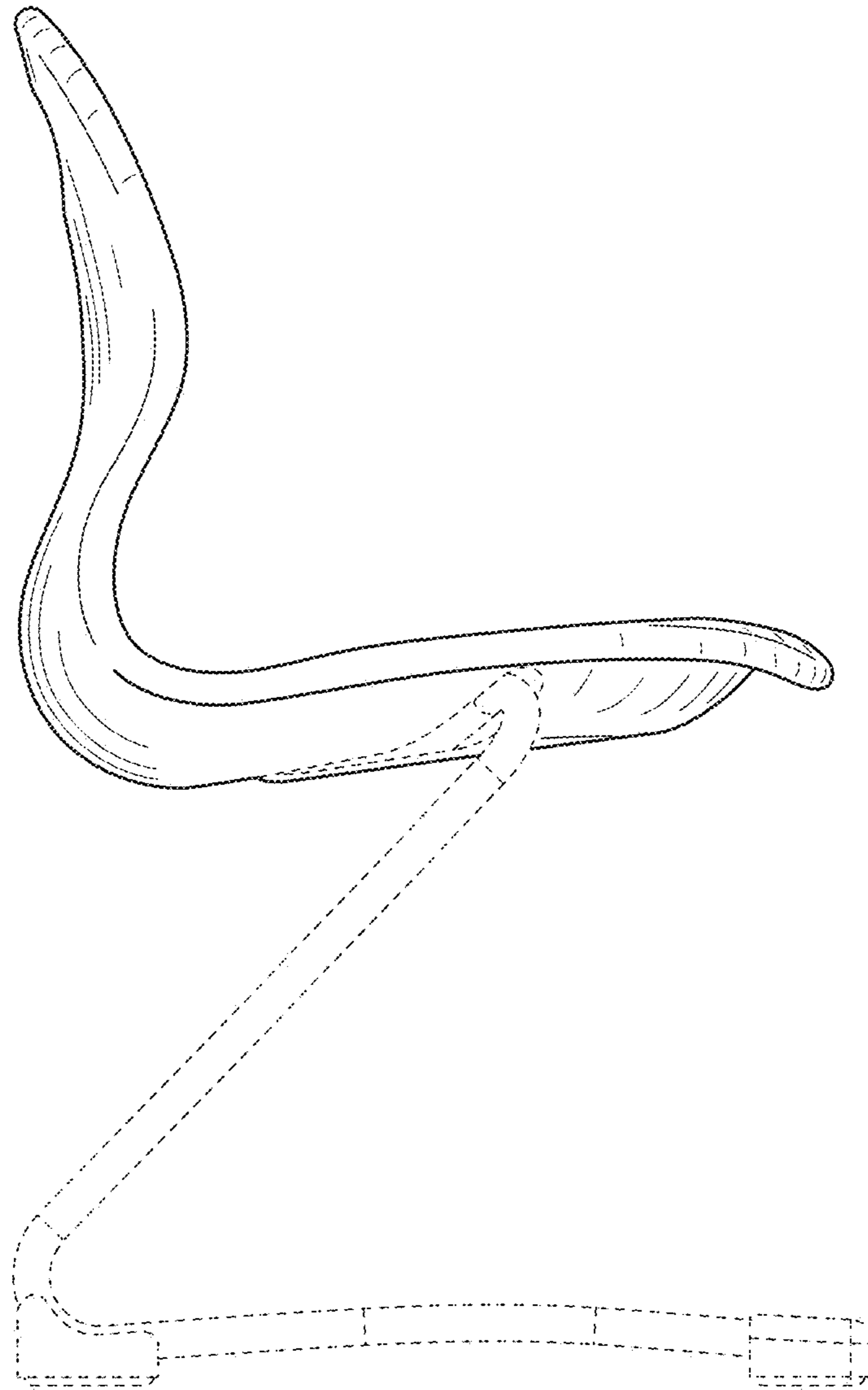


FIG. 5

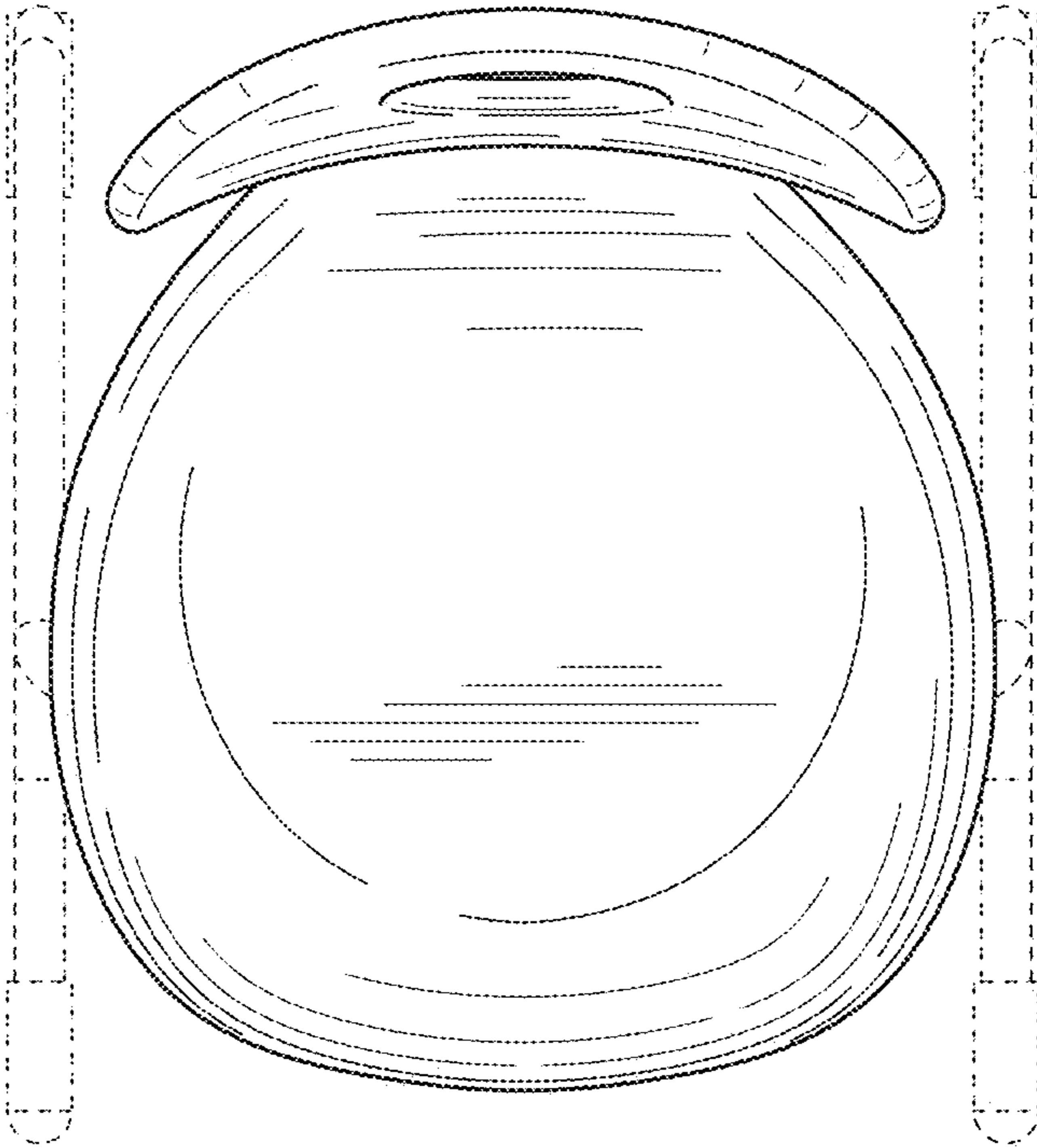


FIG. 6