



US00D908381S

(12) **United States Design Patent** (10) **Patent No.:** **US D908,381 S**  
**Breen** (45) **Date of Patent:** **\*\* Jan. 26, 2021**

(54) **CHAIR**

FOREIGN PATENT DOCUMENTS

(71) Applicant: **NIGHTINGALE CORP.**, Mississauga (CA)

KR 30-0840574 2/2016  
KR 30-0860518 6/2016

(Continued)

(72) Inventor: **William R. Breen**, Mississauga (CA)

OTHER PUBLICATIONS

(73) Assignee: **NIGHTINGALE CORP.**, Mississauga (CA)

Search Report for Design Patent Application ROC (Taiwan) Design Patent Application No. 108301786 dated Jan. 7, 2020. (1 page).

(\*\*) Term: **15 Years**

*Primary Examiner* — Mimoso De

(21) Appl. No.: **29/671,136**

(22) Filed: **Nov. 23, 2018**

(57) **CLAIM**

(30) **Foreign Application Priority Data**

I claim the ornamental design for a chair, as shown and as described.

Oct. 17, 2018 (CA) ..... 184214

**DESCRIPTION**

(51) **LOC (13) Cl.** ..... **06-01**

(52) **U.S. Cl.**  
USPC ..... **D6/366**

(58) **Field of Classification Search**  
USPC ..... D6/334-336, 364, 365, 366, 367, 374,  
D6/379, 716, 716.1, 716.4, 716.5

CPC ..... A47C 7/004; A47C 7/006; A47C 7/18;  
A47C 7/24; A47C 7/38; A47C 7/40;  
A47C 7/46; A47C 7/54; A47C 7/541

See application file for complete search history.

FIG. 1 is a perspective view taken from the front and one side of a second embodiment of a chair showing the design with the head rest in the contracted position and the arms in the downward position;

FIG. 2 is a right side view thereof;

FIG. 3 is a left side view thereof;

FIG. 4 is a perspective view taken from the rear and one side thereof;

FIG. 5 is a front elevational view thereof;

FIG. 6 is a rear elevational view thereof;

FIG. 7 is a top plan view thereof;

FIG. 8 is a right side view thereof with the head rest in the extended position;

FIG. 9 is a front view thereof with the head rest in the extended position;

FIG. 10 is a right side view thereof with the head rest in the contracted position and the arm rest in the upward position; and,

FIG. 11 is a front view thereof with the head rest in the contracted position and the arm rest in the upward position.

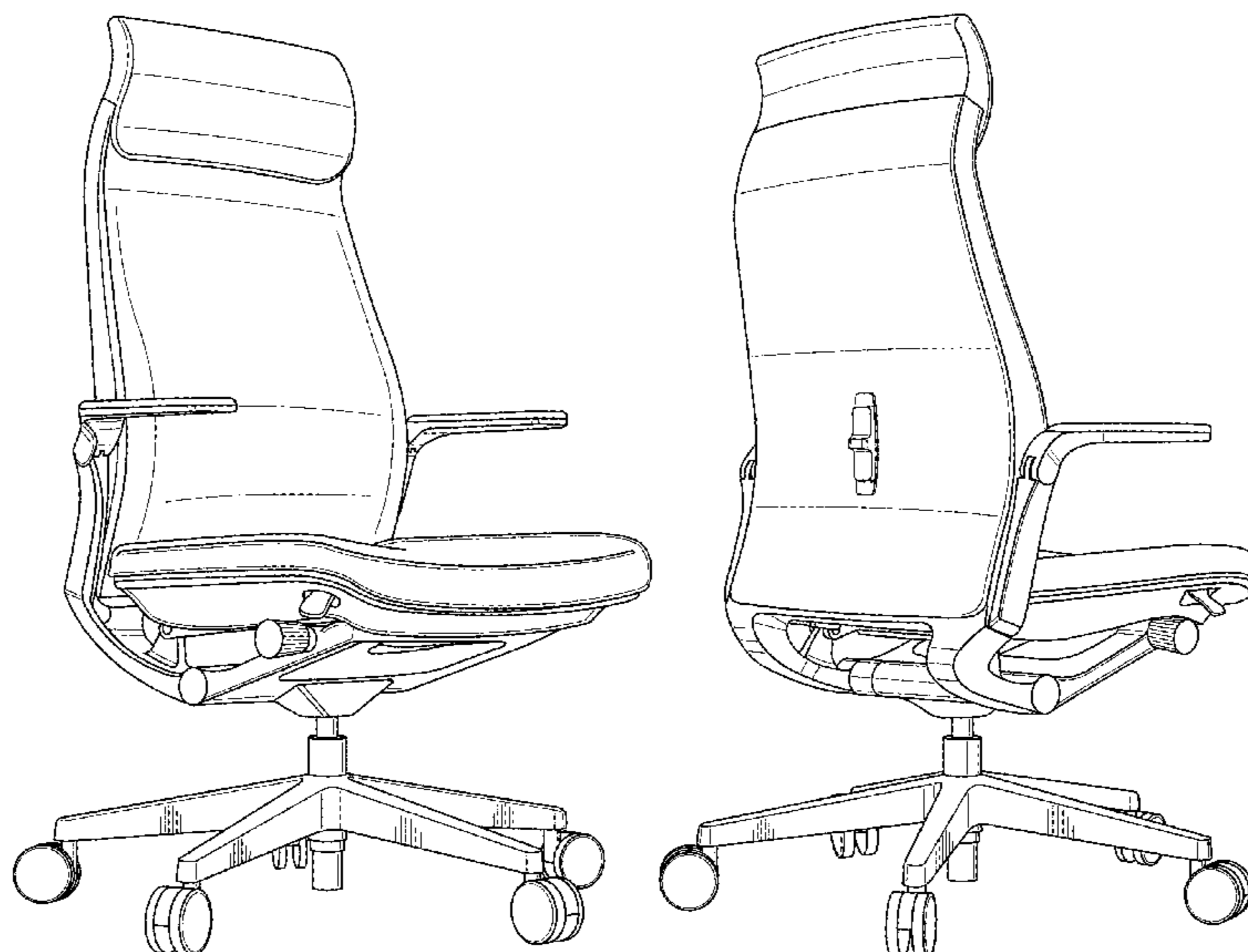
(56) **References Cited**

U.S. PATENT DOCUMENTS

D318,588 S 7/1991 Koepke  
D479,066 S 9/2003 Klaesener  
D479,928 S 9/2003 Klaesener  
D543,039 S 5/2007 Hara  
D543,041 S 5/2007 Hara  
D543,042 S \* 5/2007 Hara ..... D6/366  
D578,326 S 10/2008 Donati  
D579,241 S 10/2008 Breen  
D611,264 S \* 3/2010 Igarashi ..... D6/366  
D616,654 S \* 6/2010 Igarashi ..... D6/365

(Continued)

**1 Claim, 11 Drawing Sheets**



(56)

**References Cited**

U.S. PATENT DOCUMENTS

D648,552 S	11/2011	Izawa	
D649,795 S	12/2011	Izawa	
D653,481 S	2/2012	Moreschi	
D670,927 S	11/2012	Hurford	
D707,459 S	6/2014	Ma	
D761,578 S *	7/2016	Neil .....	D6/366
D800,469 S *	10/2017	Barber .....	D6/366
D802,314 S *	11/2017	Barber .....	D6/366
D878,789 S *	3/2020	Wang .....	D6/366
D885,105 S	5/2020	Guelfo	
D895,313 S *	9/2020	Izawa .....	D6/366

FOREIGN PATENT DOCUMENTS

KR	30-0861750	7/2016
TW	D186915	12/2017

\* cited by examiner

Fig. 1



Fig. 2



Fig. 3



Fig. 4

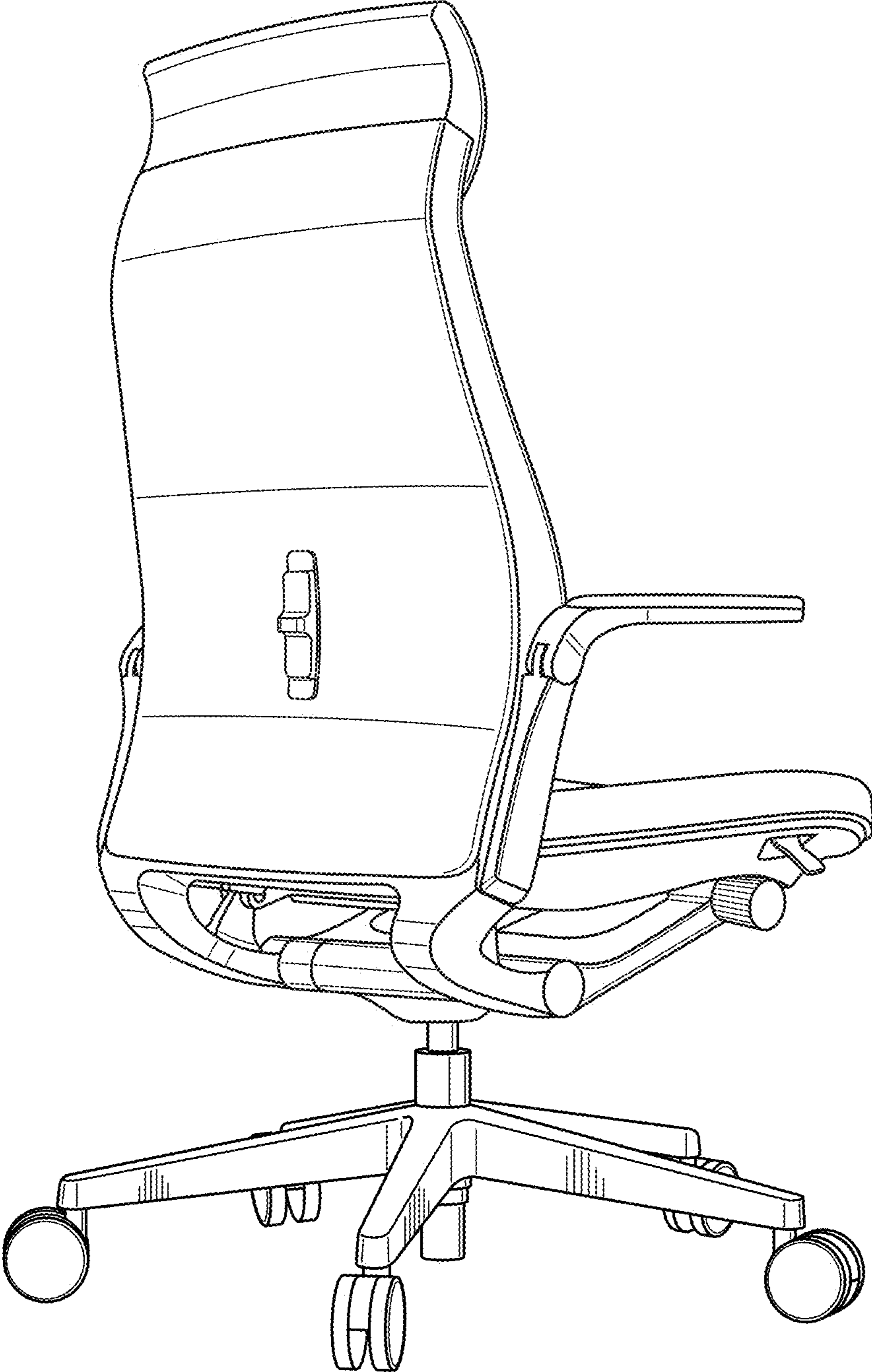


Fig. 5

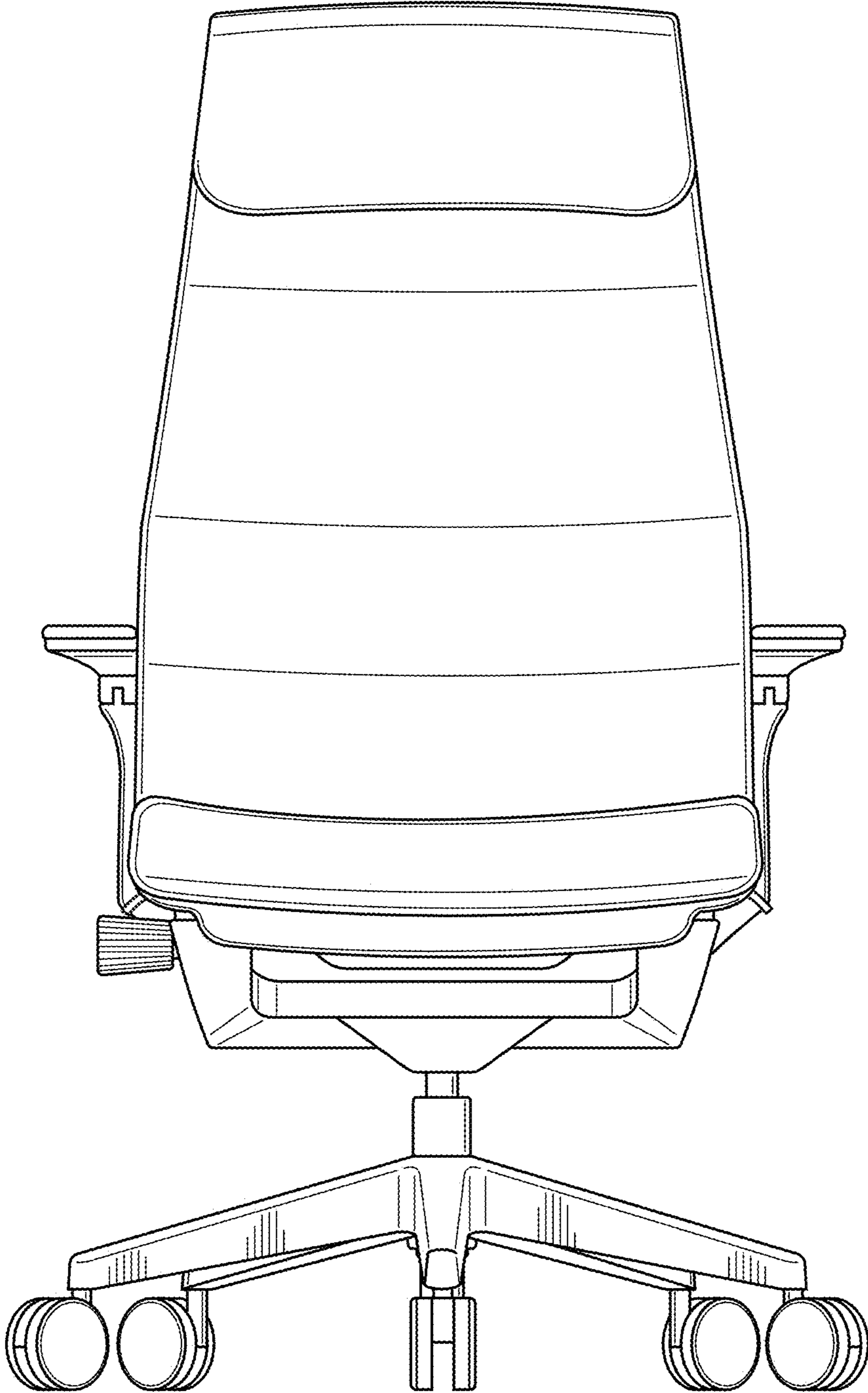


Fig. 6

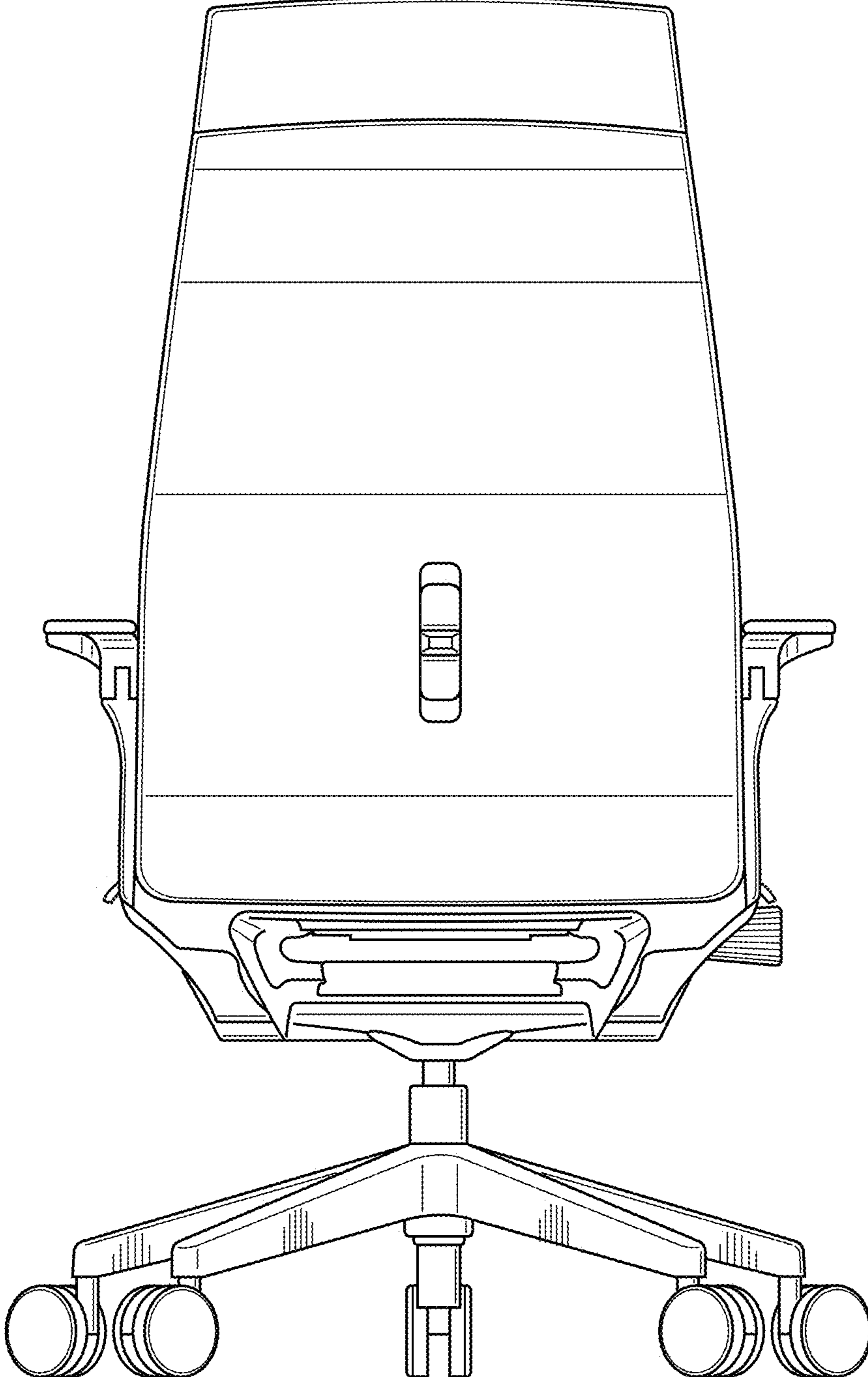




Fig. 7

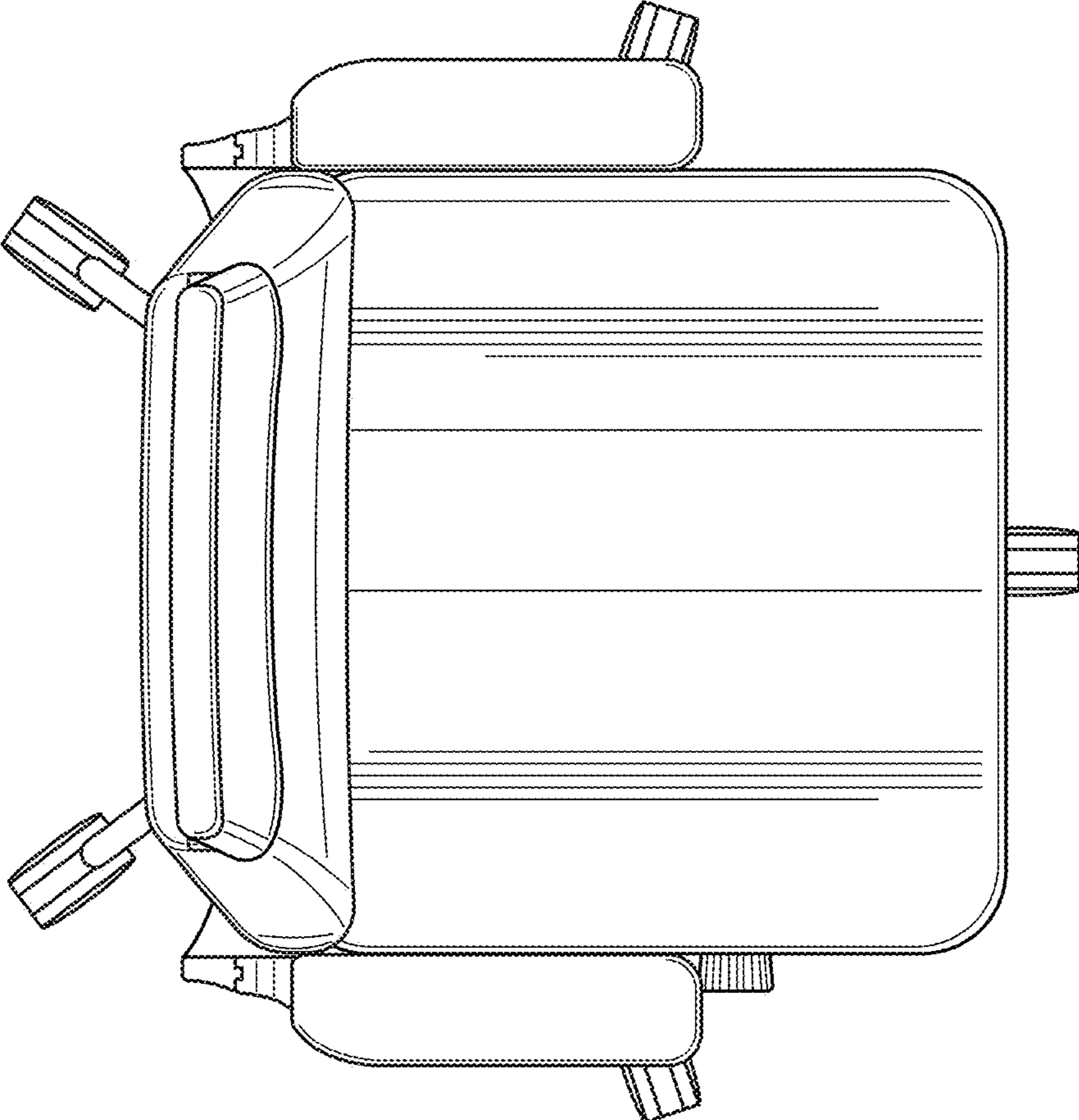


Fig. 8

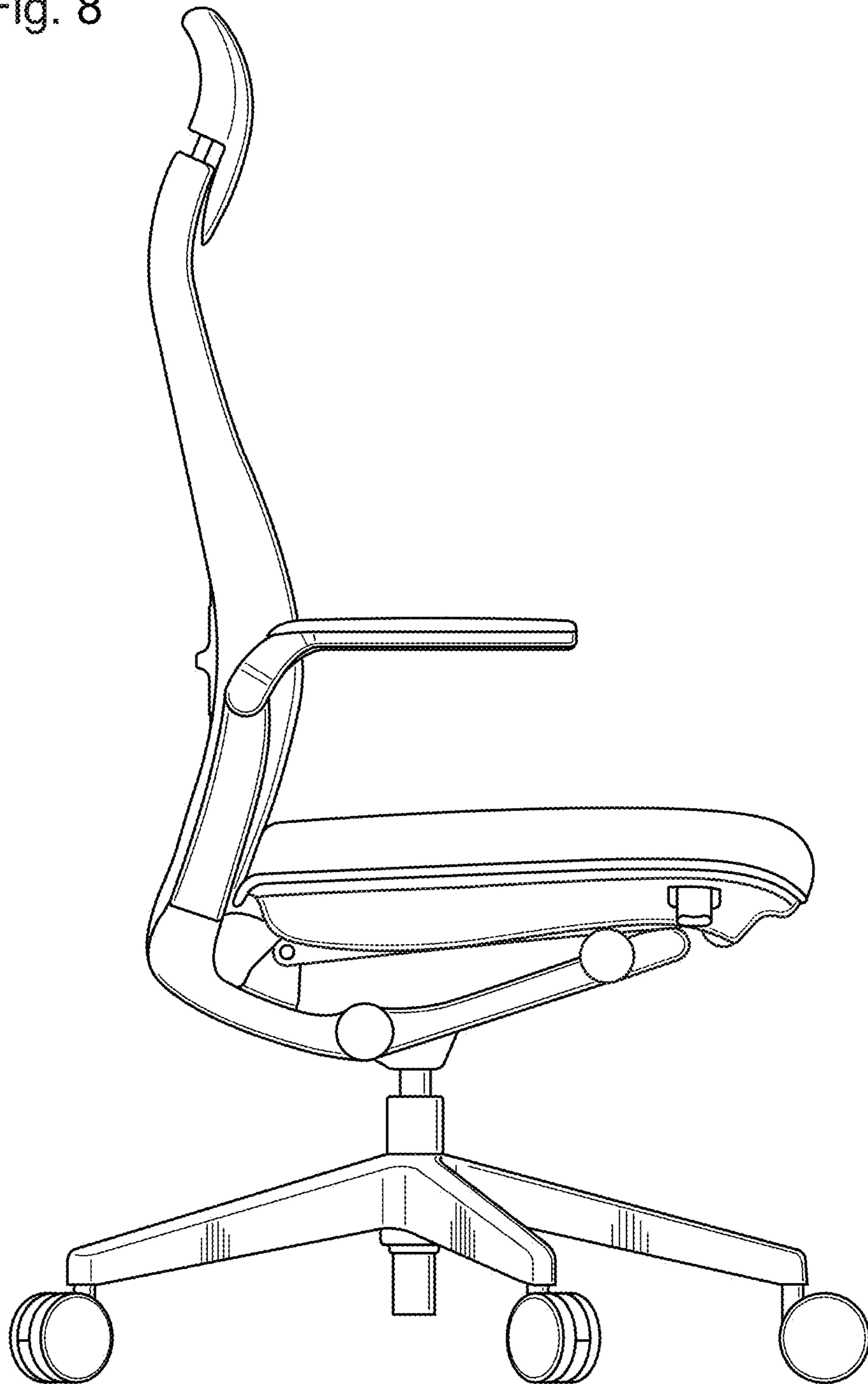


Fig. 9

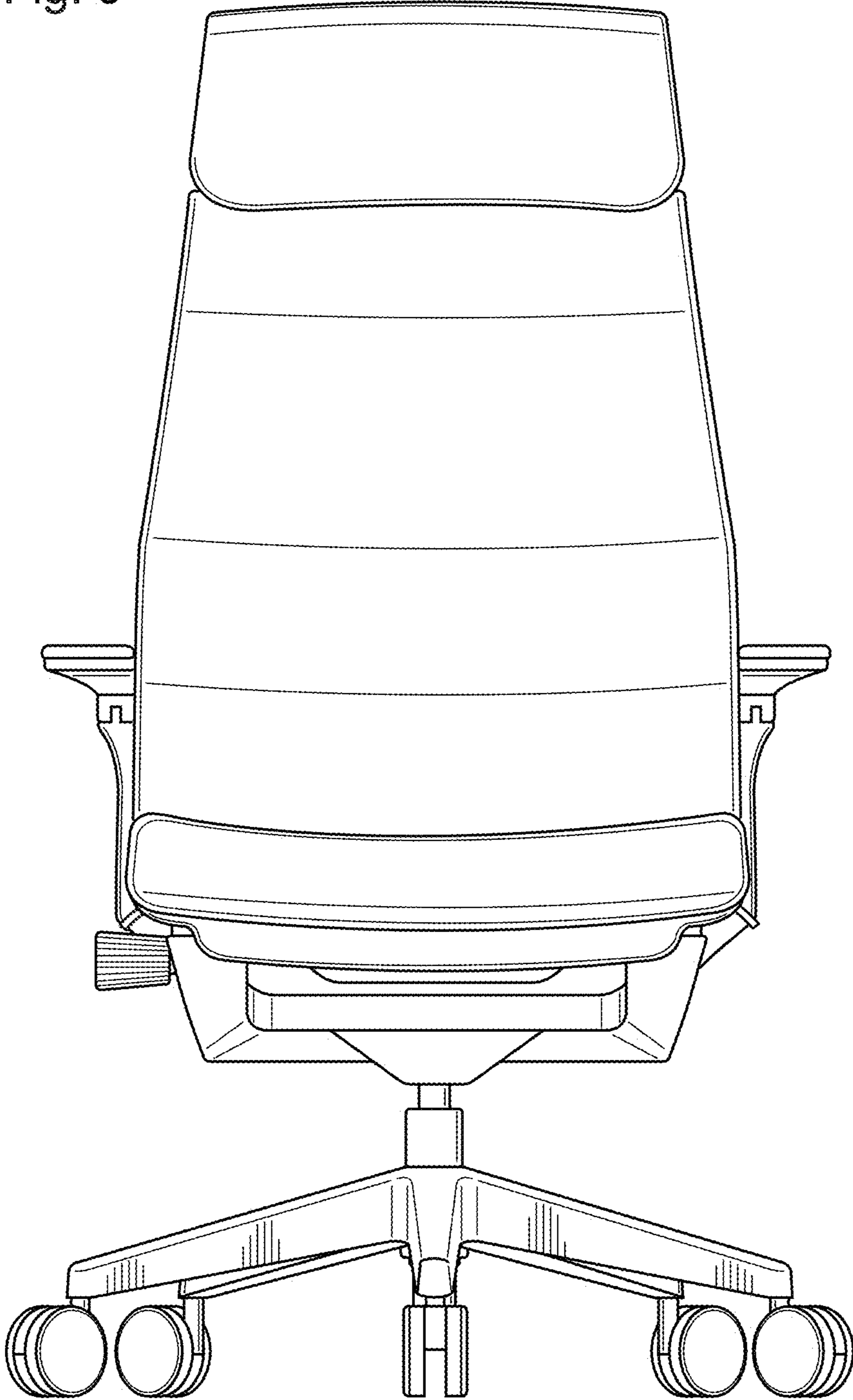


Fig. 10

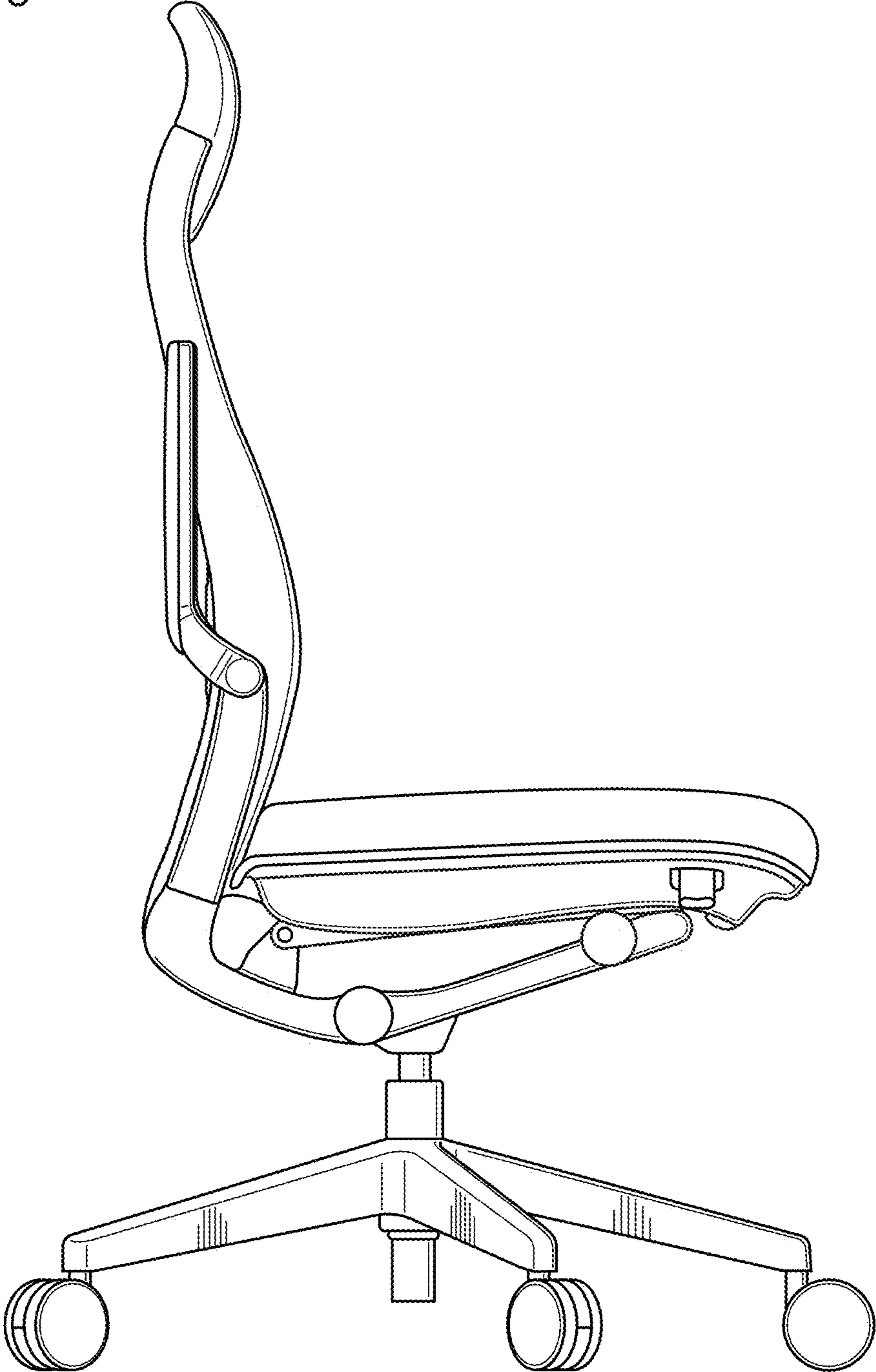


Fig. 11

