



US00D908380S

(12) **United States Design Patent**
Breen

(10) **Patent No.:** **US D908,380 S**

(45) **Date of Patent:** **** Jan. 26, 2021**

(54) **CHAIR**

(71) Applicant: **NIGHTINGALE CORP.**, Mississauga (CA)

(72) Inventor: **William R. Breen**, Mississauga (CA)

(73) Assignee: **NIGHTINGALE CORP.**, Mississauga (CA)

(**) Term: **15 Years**

(21) Appl. No.: **29/671,135**

(22) Filed: **Nov. 23, 2018**

(30) **Foreign Application Priority Data**

Oct. 17, 2018 (CA) 184213

(51) **LOC (13) Cl.** **06-01**

(52) **U.S. Cl.**
USPC **D6/366**

(58) **Field of Classification Search**

USPC D6/334-336, 364, 365, 366, 367, 374,
D6/379, 716, 716.1, 716.4, 716.5

CPC A47C 7/004; A47C 7/006; A47C 7/18;
A47C 7/24; A47C 7/38; A47C 7/40;
A47C 7/46; A47C 7/54; A47C 7/541

See application file for complete search history.

(56) **References Cited**

U.S. PATENT DOCUMENTS

D318,588 S	7/1991	Koepke	
D479,066 S	9/2003	Klaesener	
D479,928 S	9/2003	Klaesener	
D543,039 S	5/2007	Hara	
D543,041 S	5/2007	Hara	
D578,326 S	10/2008	Donati	
D579,241 S	10/2008	Breen	
D600,931 S	* 9/2009	Pearson	D6/366
D648,147 S	* 11/2011	Izawa	D6/366
D648,552 S	11/2011	Izawa	

D649,795 S	* 12/2011	Izawa	D6/366
D653,481 S	2/2012	Moreschi	
D670,927 S	* 11/2012	Hurford	D6/366
D688,483 S	* 8/2013	Aratani	D6/366
D707,459 S	6/2014	Ma	
D785,390 S	* 5/2017	Tong	D6/716
D799,843 S	* 10/2017	Chen	D6/366

(Continued)

FOREIGN PATENT DOCUMENTS

KR	30-0840574	2/2016
KR	30-0860518	6/2016

(Continued)

OTHER PUBLICATIONS

Search Report for Design Patent Application ROC (Taiwan) Design Patent Application No. 108301786 dated Jan. 7, 2020. (1 page).

Primary Examiner — Mimoso De

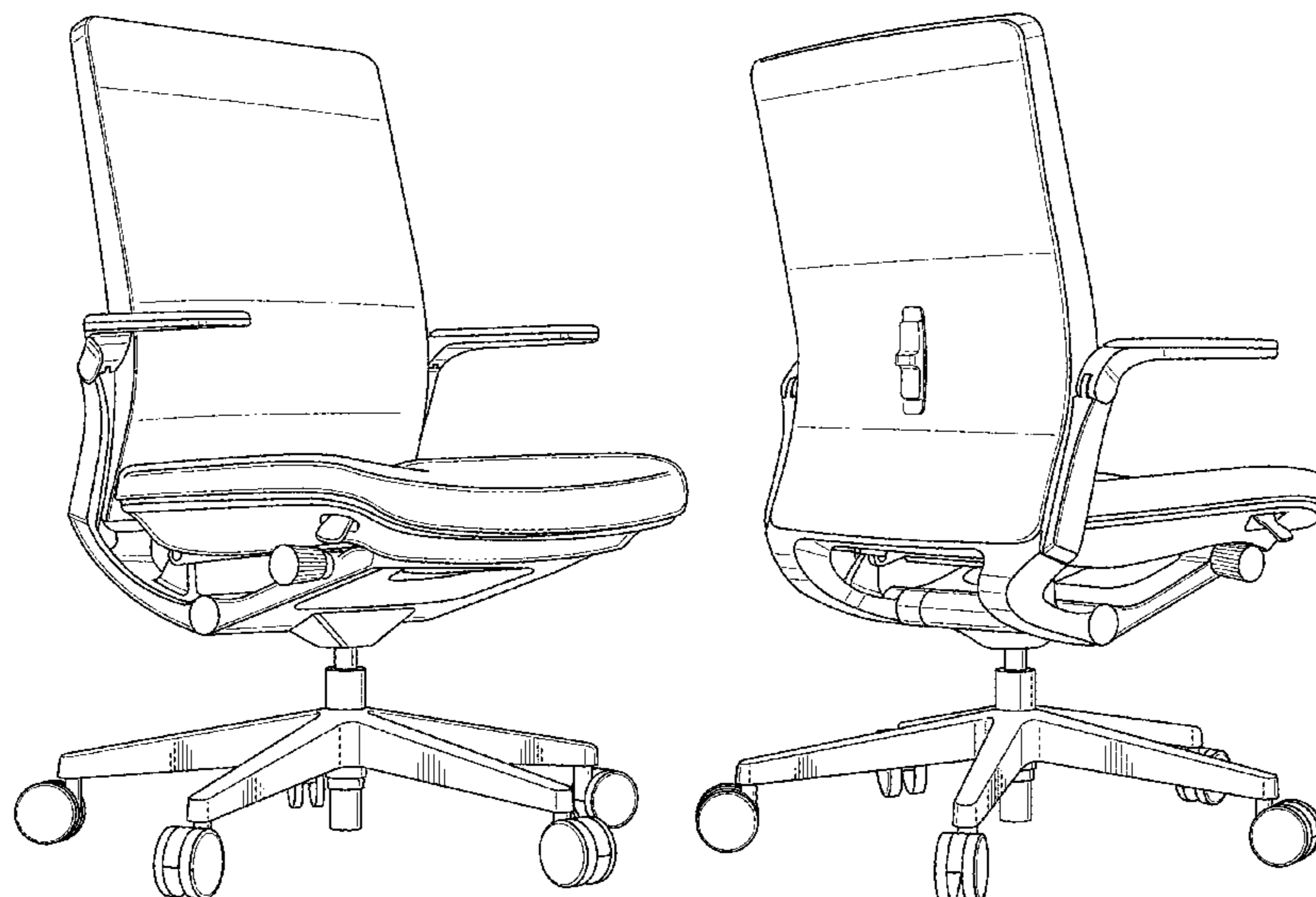
(57) **CLAIM**

I claim the ornamental design for a chair, as shown and described.

DESCRIPTION

FIG. 1 is a perspective view taken from the front and one side of an embodiment of a chair showing the design, with the arms in the downward position;
 FIG. 2 is a right side view thereof;
 FIG. 3 is a left side view thereof;
 FIG. 4 is a perspective view taken from the rear and one side thereof;
 FIG. 5 is a front elevational view thereof;
 FIG. 6 is a rear elevational view thereof;
 FIG. 7 is a top plan view thereof;
 FIG. 8 is a right side view thereof with arms in the upward position; and,
 FIG. 9 is a front view thereof with arms in the upward position.

1 Claim, 9 Drawing Sheets



(56)

References Cited

U.S. PATENT DOCUMENTS

D826,586 S *	8/2018	Krob	D6/366
D856,695 S *	8/2019	Chen	D6/366
D878,790 S *	3/2020	Wang	D6/366
D885,105 S	5/2020	Guelfo	
D887,157 S *	6/2020	Holbrook	D6/366
D889,153 S *	7/2020	Holbrook	D6/366
D889,867 S *	7/2020	Guelfo	D6/366

FOREIGN PATENT DOCUMENTS

KR	30-0861750	7/2016
TW	D186915	12/2017

* cited by examiner

Fig. 1

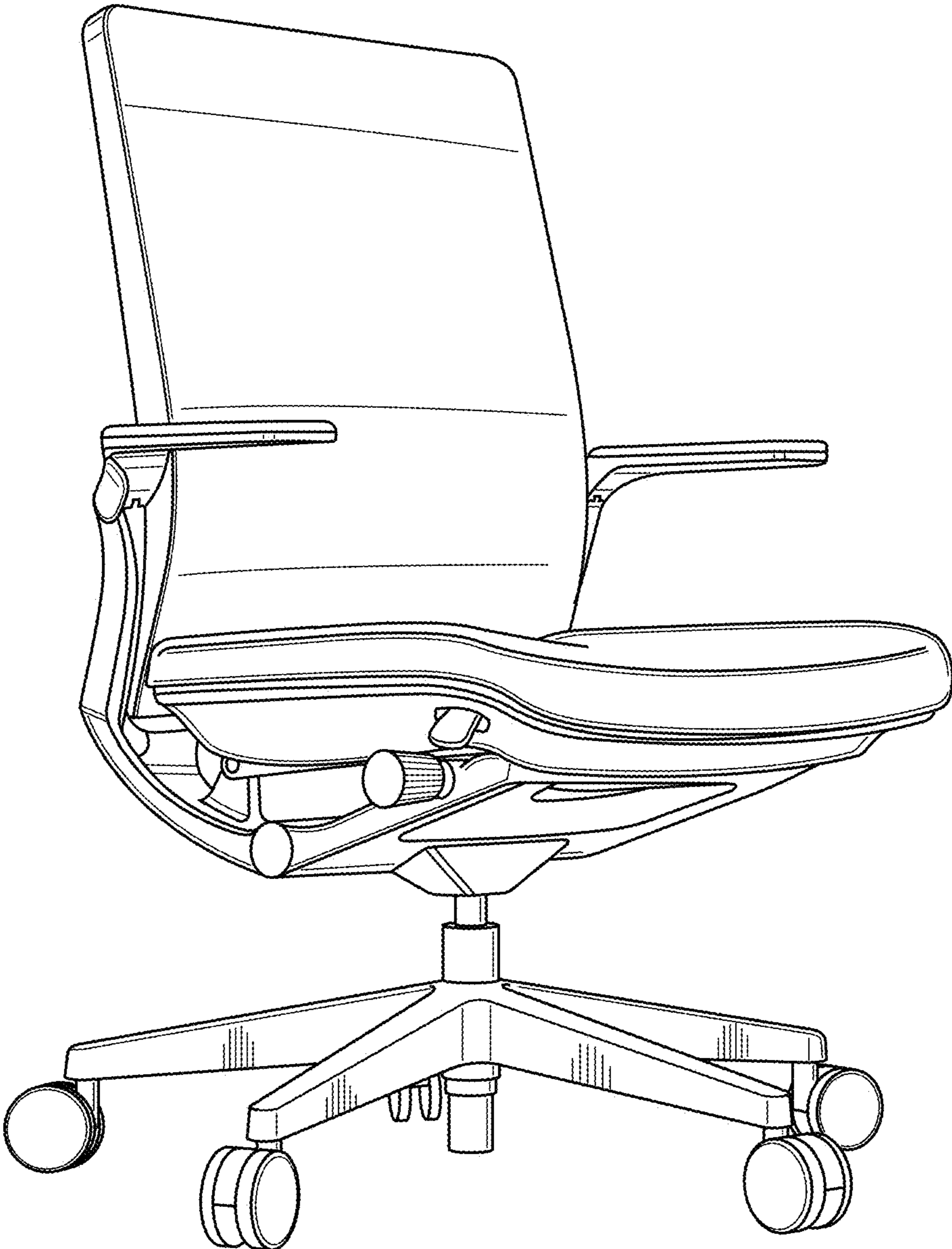


Fig. 2



Fig. 3

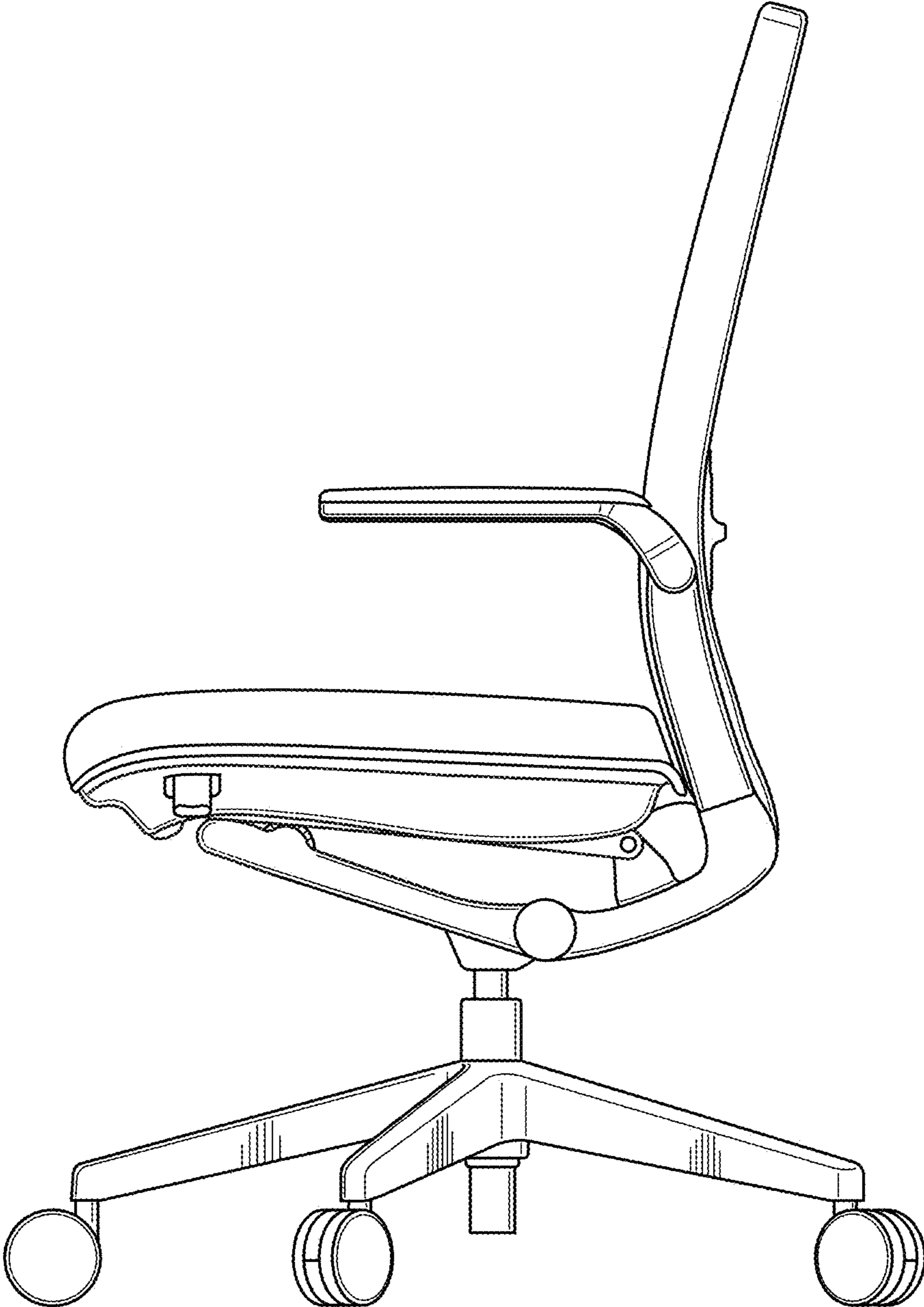


Fig. 4

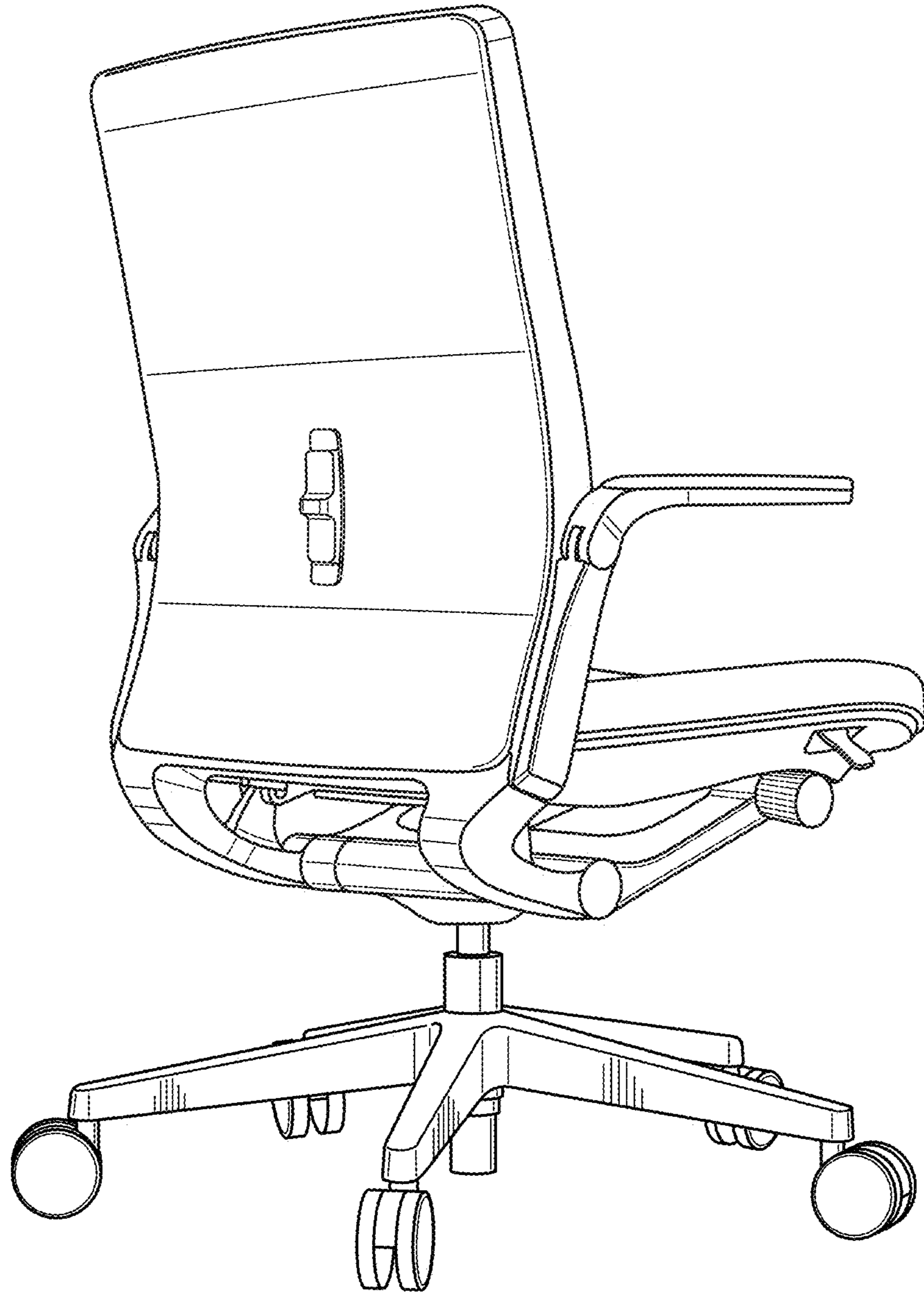


Fig. 5

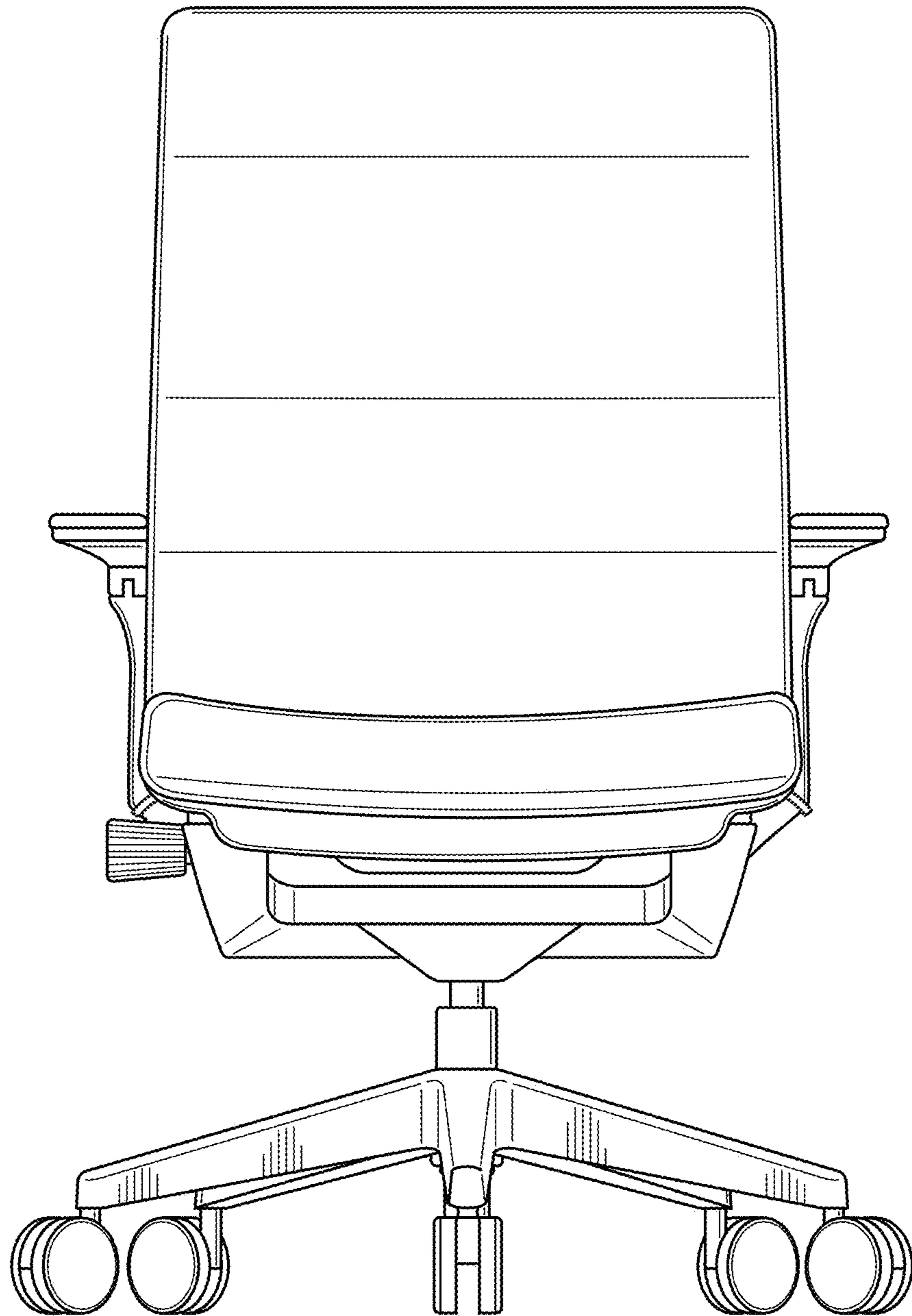


Fig. 6

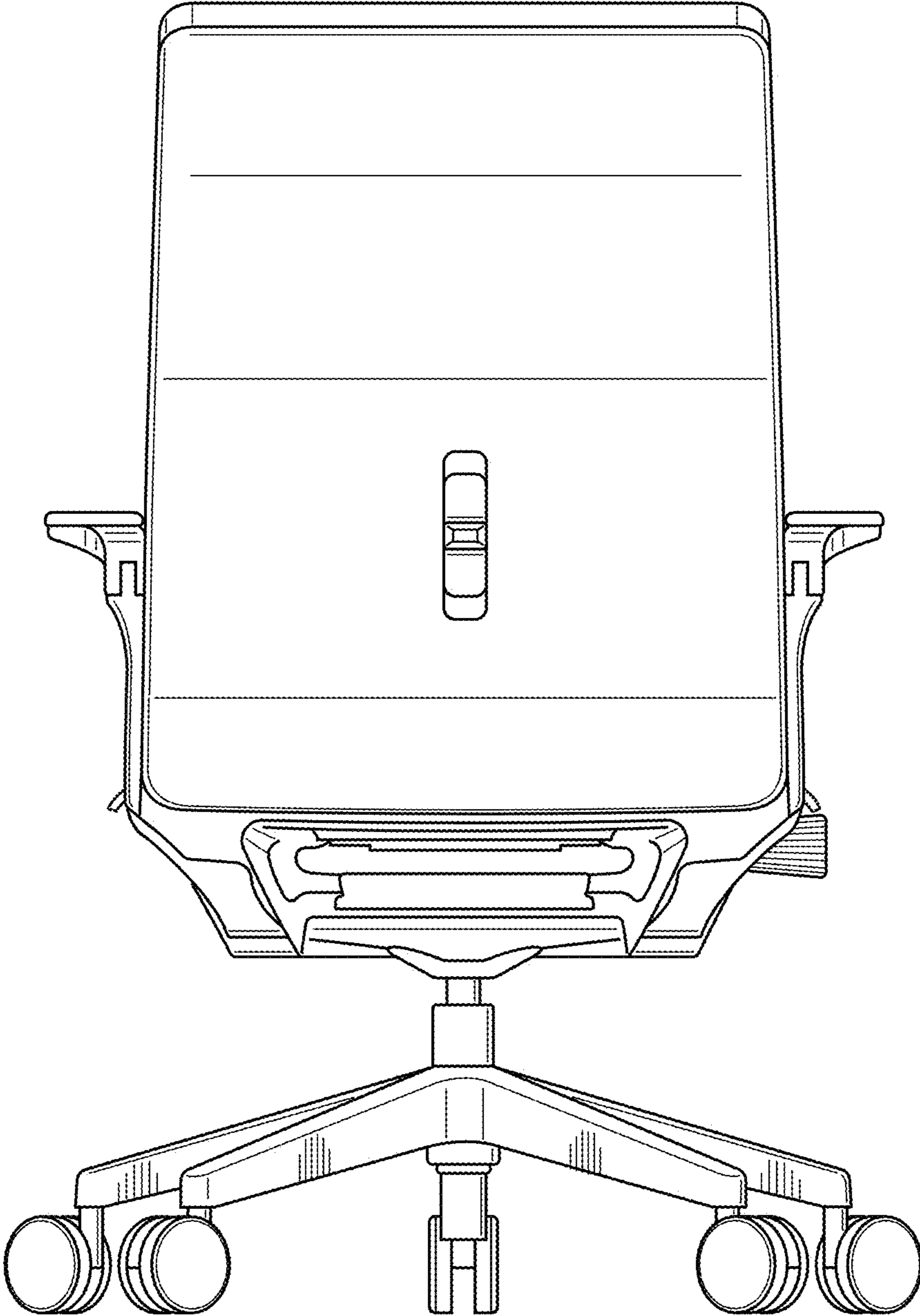


Fig. 7

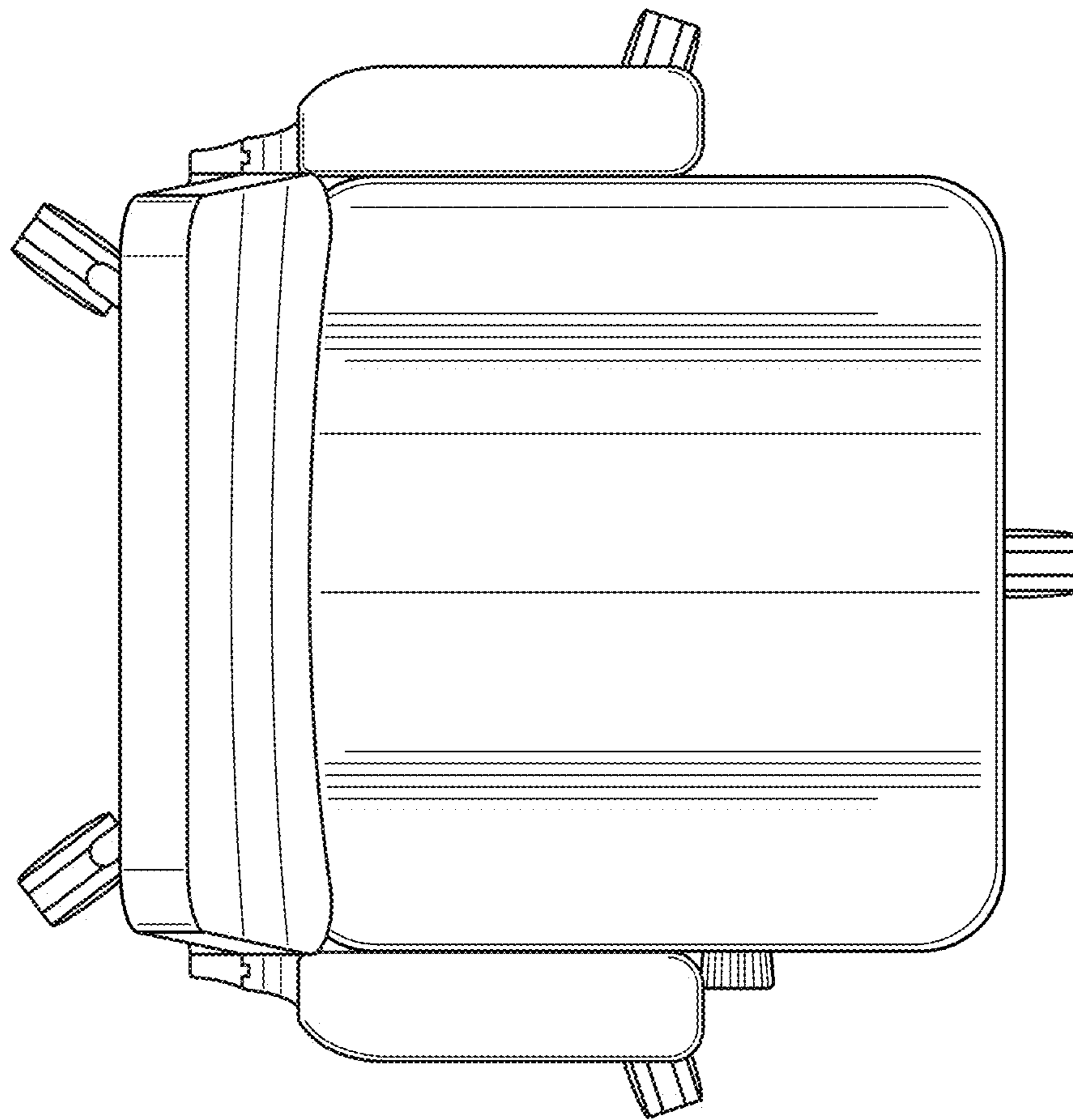


Fig. 8

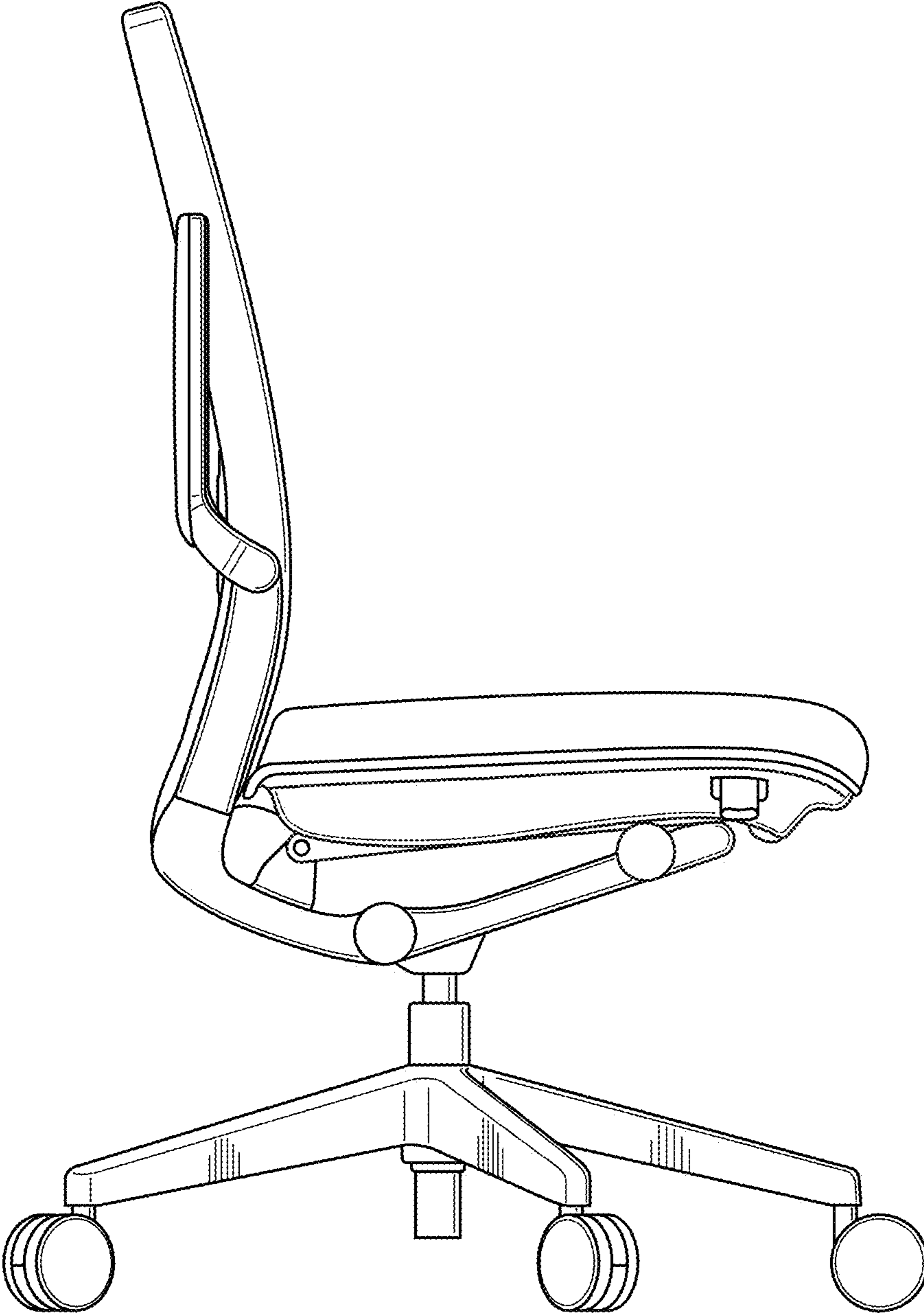


Fig. 9

