



US00D908379S

(12) **United States Design Patent**  
**Saotome**

(10) **Patent No.:** **US D908,379 S**  
(45) **Date of Patent:** **\*\* Jan. 26, 2021**

- (54) **CHAIR**
- (71) Applicant: **Okamura Corporation**, Yokohama (JP)
- (72) Inventor: **Hiroshi Saotome**, Yokohama (JP)
- (73) Assignee: **Okamura Corporation**, Yokohama (JP)
- (\*\*) Term: **15 Years**
- (21) Appl. No.: **29/664,466**
- (22) Filed: **Sep. 25, 2018**

(30) **Foreign Application Priority Data**

Apr. 23, 2018 (JP) ..... 2018-008828

(51) **LOC (13) Cl.** ..... **06-01**

(52) **U.S. Cl.**  
USPC ..... **D6/361**

(58) **Field of Classification Search**  
USPC ..... D6/361, 366, 373, 375, 379, 716, 334,  
D6/344, 381, 709; D24/201  
CPC ..... A47C 1/03277; A47C 1/03255; A47C  
1/0352; A47C 1/0355; A47C 1/028; A47C  
1/143; A47C 3/026; A47C 4/022; A47C  
4/028; A47C 4/03; A47C 5/04; A47C  
7/445; A47C 31/126  
See application file for complete search history.

(56) **References Cited**

**U.S. PATENT DOCUMENTS**

- D174,496 S \* 4/1955 Freedman et al. .... D6/361
- D175,040 S \* 6/1955 Race ..... D6/361
- 3,041,109 A \* 6/1962 Eames ..... A47C 3/12  
297/451.4
- D217,449 S \* 5/1970 Meyer ..... D6/361
- D218,889 S \* 10/1970 Lamb ..... D6/361
- D286,709 S \* 11/1986 Schultz ..... D6/361
- D445,577 S \* 7/2001 Tseng ..... D6/361

- D456,158 S \* 4/2002 Van Severen ..... D6/361
- D490,618 S \* 6/2004 Green ..... D6/361
- D494,374 S \* 8/2004 Cagle ..... D6/361
- D526,498 S \* 8/2006 Jimenez M. .... D6/361
- D531,318 S \* 10/2006 Morral Gispert ..... D24/201
- D539,553 S \* 4/2007 Jimenez M. .... D6/361
- D608,555 S \* 1/2010 Aoki ..... D6/361
- D609,491 S \* 2/2010 Lievore ..... D6/381
- D618,005 S \* 6/2010 Heltemes ..... D6/375
- D648,551 S \* 11/2011 Clark ..... D6/361
- D668,470 S \* 10/2012 Eicke ..... D6/375
- D782,839 S \* 4/2017 Fukasawa ..... D6/366
- 9,622,584 B2 \* 4/2017 Eicke ..... A47C 1/143
- D864,640 S \* 10/2019 Saotome ..... D6/716
- D870,502 S \* 12/2019 Saotome ..... D6/716

(Continued)

*Primary Examiner* — Kevin K Rudzinski

*Assistant Examiner* — Paul D Bohannon

(74) *Attorney, Agent, or Firm* — Banner & Witcoff, Ltd.

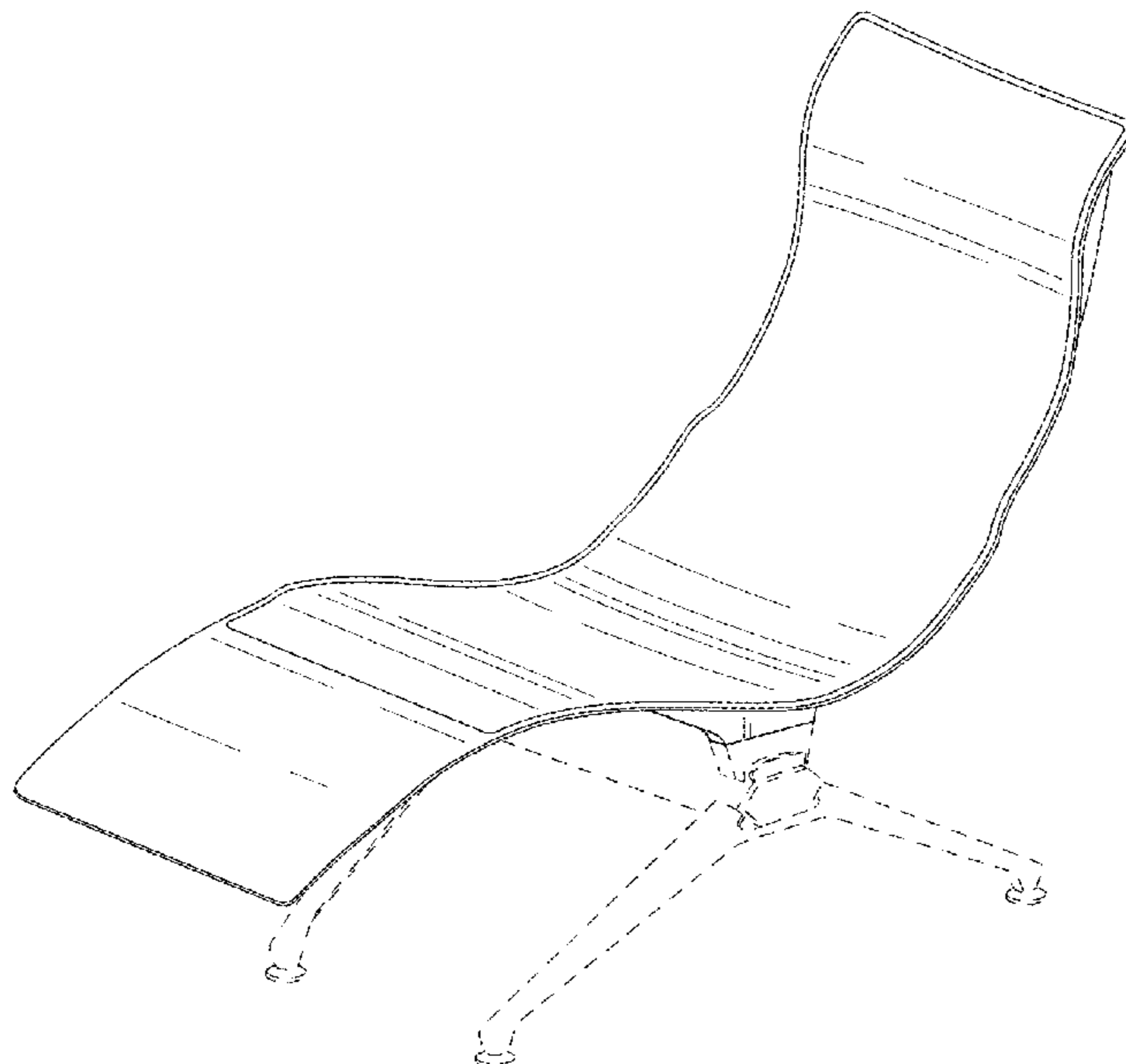
(57) **CLAIM**

The ornamental design for a chair, as shown and described.

**DESCRIPTION**

FIG. 1 is a front perspective view of a chair showing my new design;  
 FIG. 2 is a right side view thereof, a left side view thereof being a mirror image;  
 FIG. 3 is a front view thereof;  
 FIG. 4 is a rear view thereof;  
 FIG. 5 is a top view thereof;  
 FIG. 6 is a bottom view thereof;  
 FIG. 7 is a cross-sectional view taken along the line 7-7 in FIG. 2; and,  
 FIG. 8 is a cross-sectional view taken along the line 8-8 in FIG. 4.  
 The broken lines shown in the drawings illustrate portions of the chair that form no part of the claimed design.

**1 Claim, 6 Drawing Sheets**



(56)

**References Cited**

U.S. PATENT DOCUMENTS

10,624,457 B2 *	4/2020	Schmitz .....	A47C 1/03277
10,676,245 B2 *	6/2020	Anderson .....	B63B 34/50
D889,864 S *	7/2020	Bang .....	D6/361
D891,794 S *	8/2020	Saotome .....	D6/334
10,743,677 B2 *	8/2020	Schmitz .....	A47C 7/54

\* cited by examiner

FIG. 1

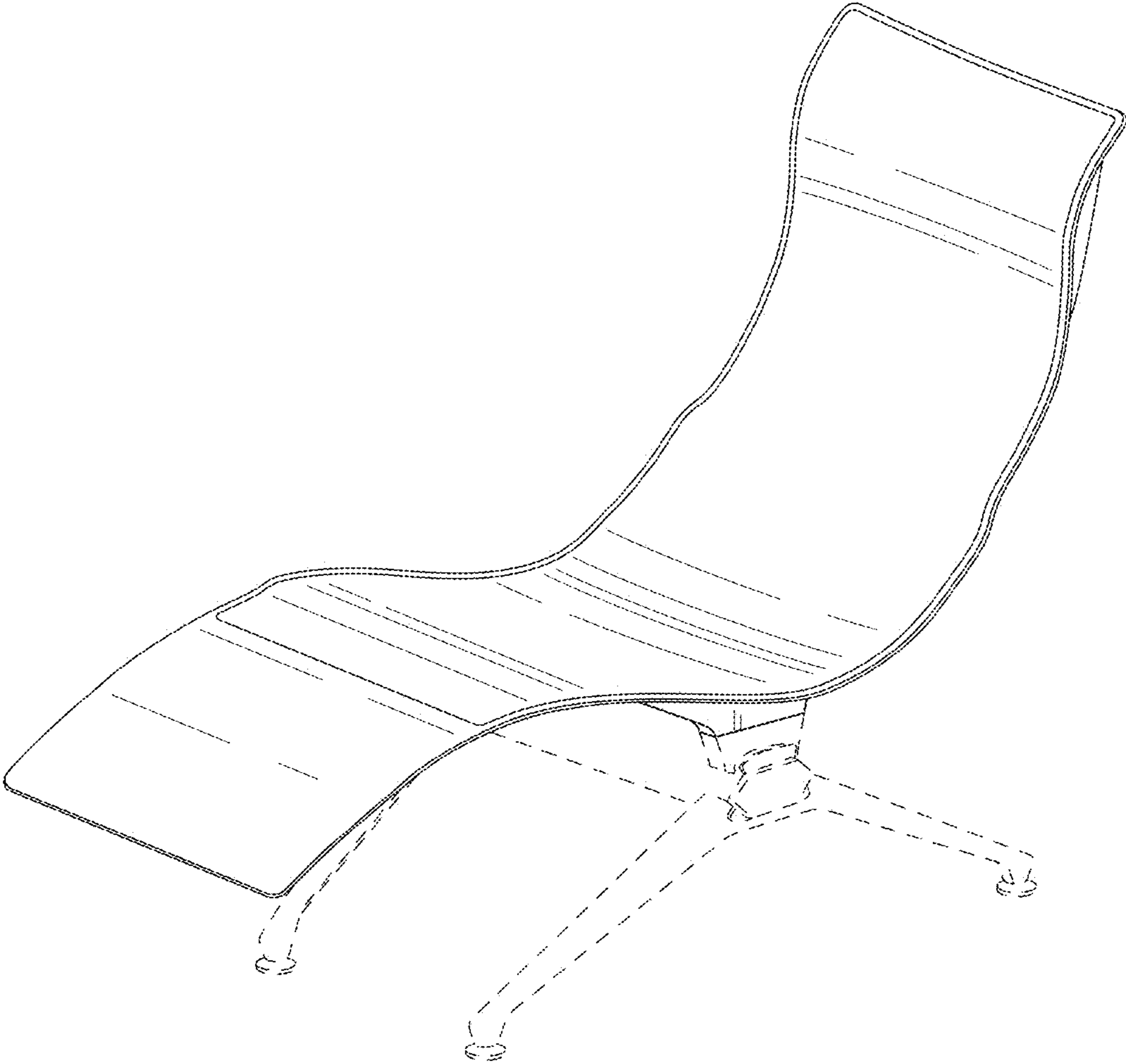


FIG. 2

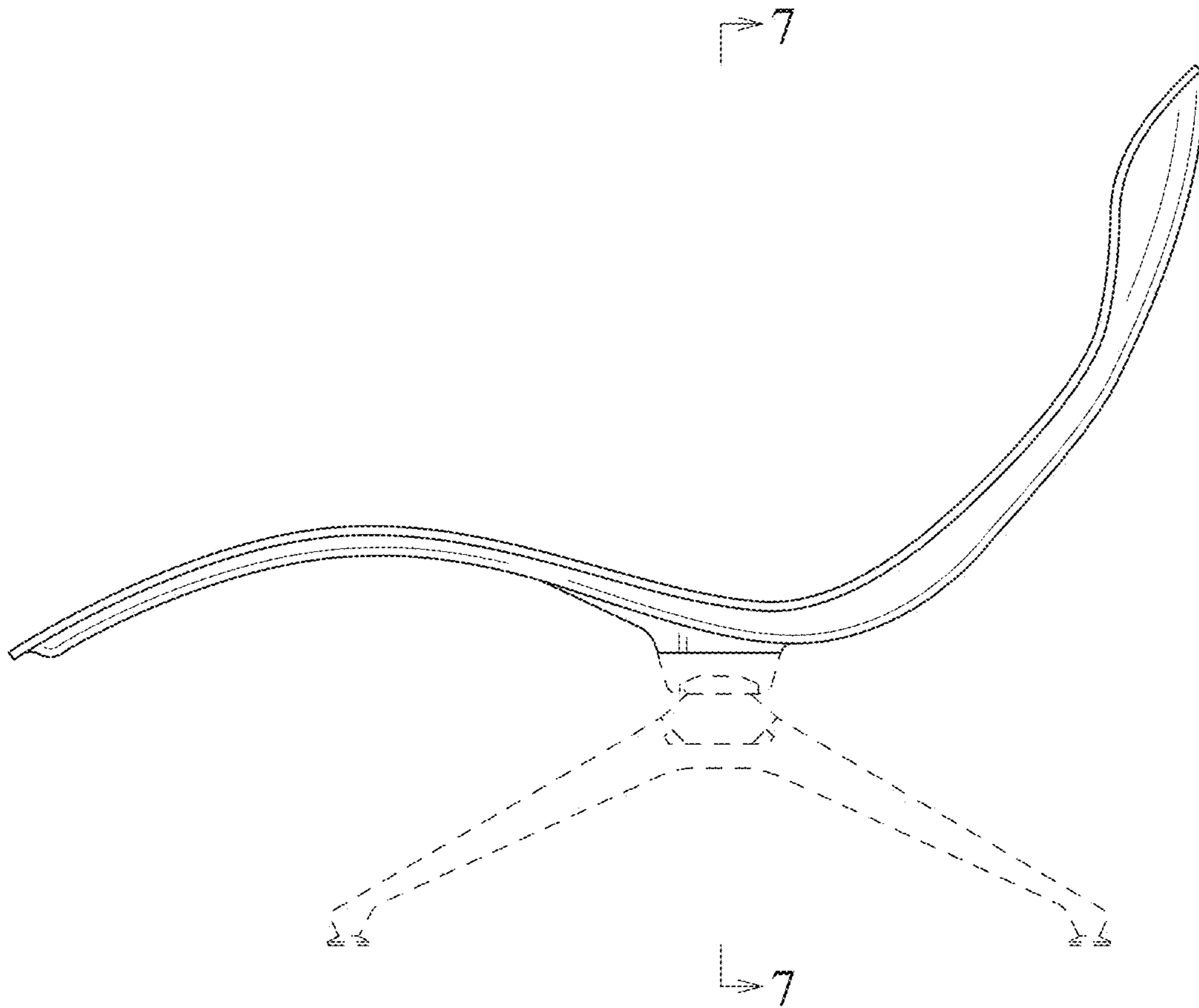


FIG. 3

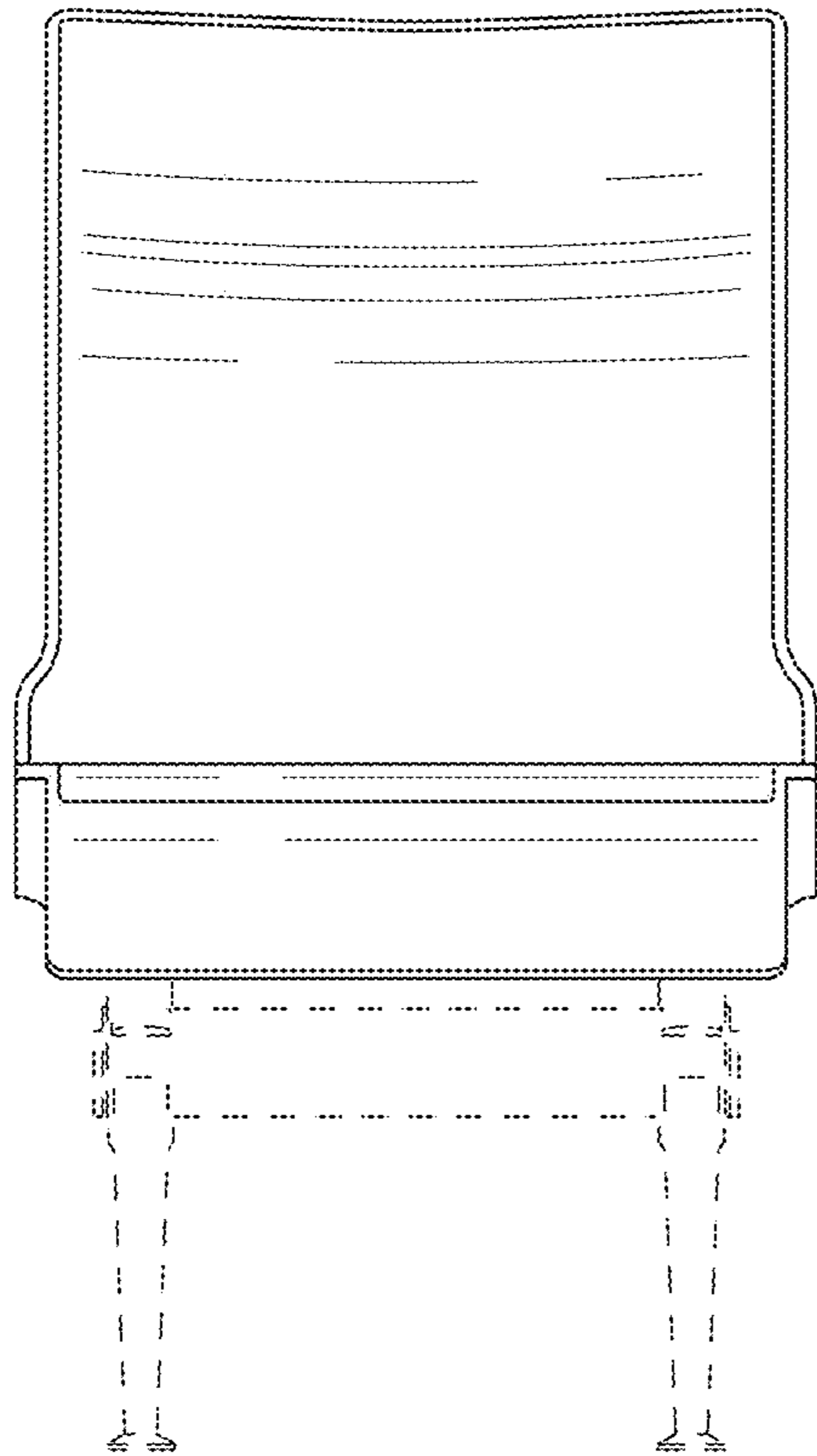


FIG. 4

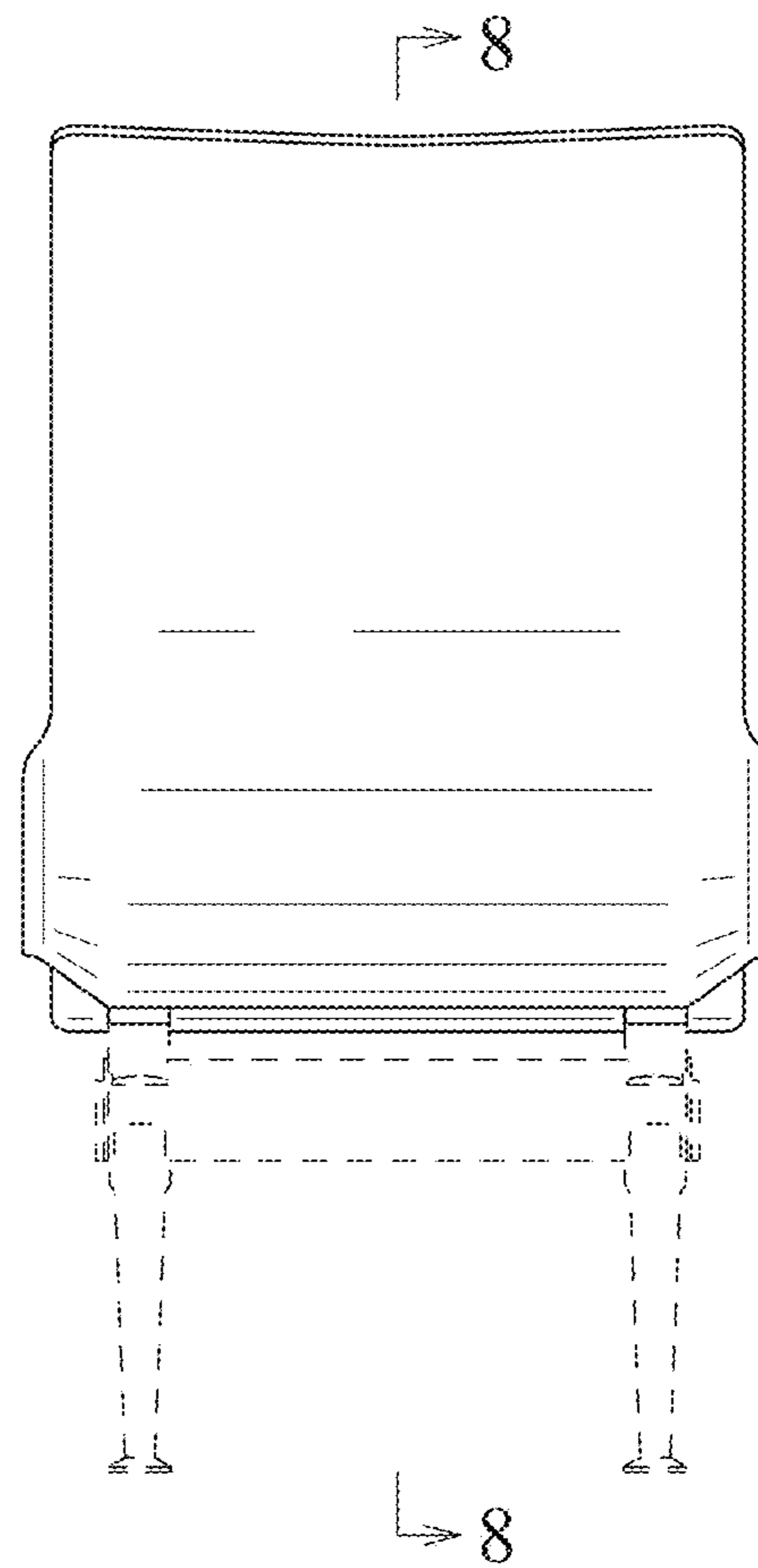


FIG. 5

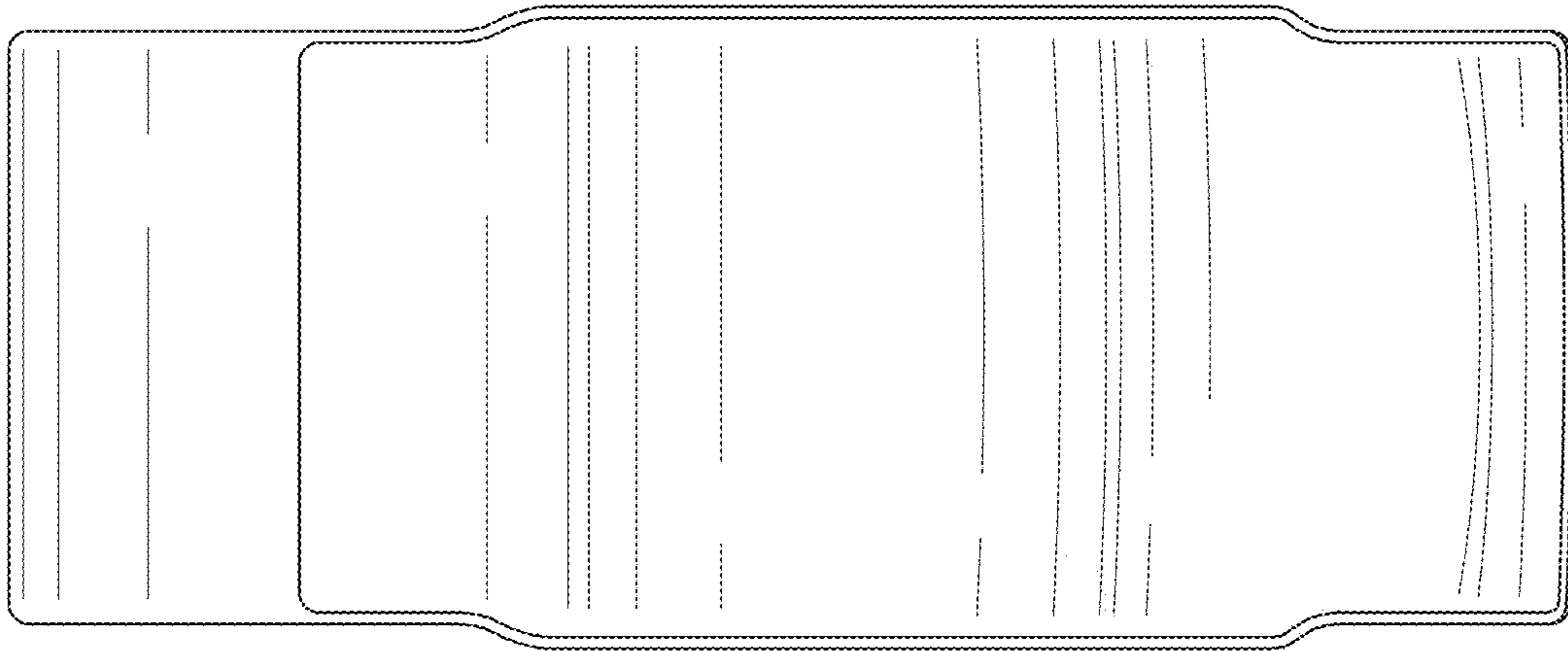


FIG. 6

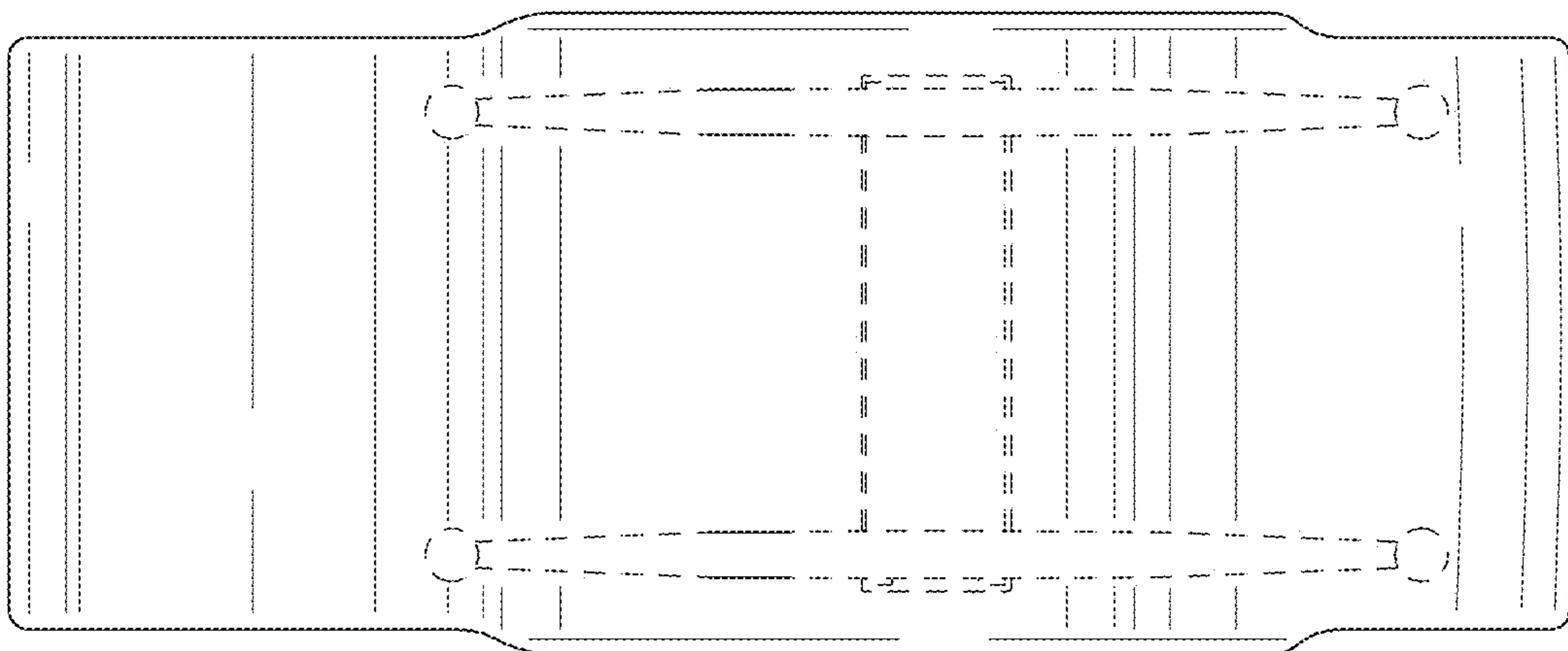


FIG. 7

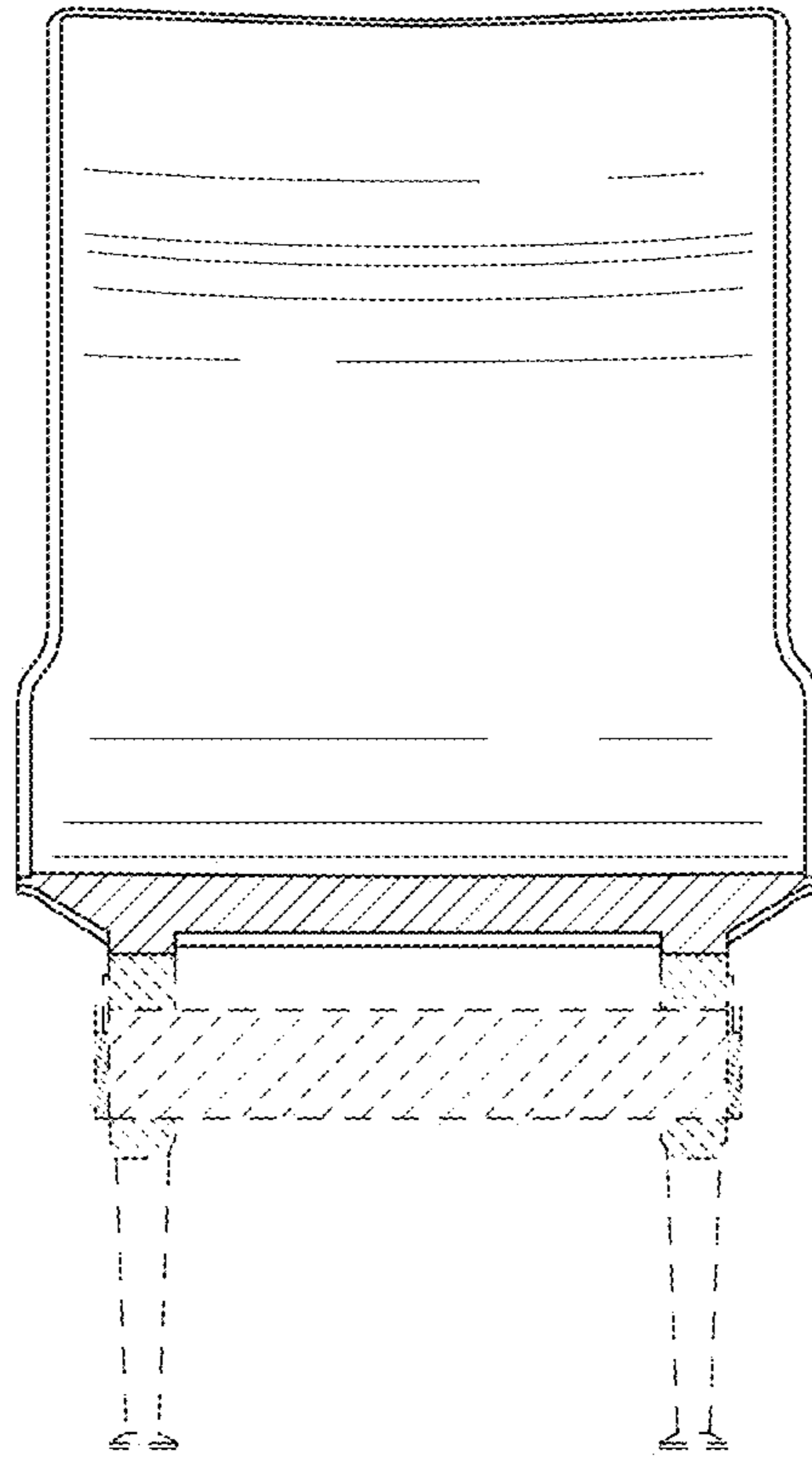




FIG. 8

