



US00D908376S

(12) **United States Design Patent**
Han

(10) **Patent No.:** **US D908,376 S**
(45) **Date of Patent:** **** Jan. 26, 2021**

(54) **TABLE**
(71) Applicant: **Kyung Hee Han**, Yonginsi (KR)
(72) Inventor: **Kyung Hee Han**, Yonginsi (KR)
(**) Term: **15 Years**
(21) Appl. No.: **29/706,472**
(22) Filed: **Sep. 20, 2019**
(51) **LOC (13) Cl.** **06-03**
(52) **U.S. Cl.**
USPC **D6/340**
(58) **Field of Classification Search**
USPC D6/335, 336, 337, 338, 340, 354, 641,
D6/642, 644, 650; D24/234
CPC A47B 83/02; A47B 83/021; A47B 13/10
See application file for complete search history.

3,477,760 A * 11/1969 Bue G09B 5/10
297/158.3
D252,058 S * 6/1979 Patterson D6/338
D310,451 S * 9/1990 Webb D6/337
6,065,802 A * 5/2000 Bue A47B 3/14
108/168
D456,155 S * 4/2002 Devriendt D6/337
D456,157 S * 4/2002 Yates D6/354
D456,622 S * 5/2002 Moquin D6/337
D459,098 S * 6/2002 Poarch D6/337
D509,076 S * 9/2005 Beck D6/349
D514,830 S * 2/2006 Bue D6/337
D546,097 S * 7/2007 Glass D6/650
D571,566 S * 6/2008 Patel D6/337
D573,360 S * 7/2008 Bue D6/337
D604,520 S * 11/2009 Wegman D6/338
D604,521 S * 11/2009 Wegman D6/338
D604,522 S * 11/2009 Wegman D6/338
D604,523 S * 11/2009 Wegman D6/338

(Continued)

(56) **References Cited**
U.S. PATENT DOCUMENTS

D28,038 S * 12/1897 Bunker D6/354
D28,382 S * 3/1898 Garford D6/354
D28,460 S * 4/1898 Hunt D6/354
D28,901 S * 6/1898 Bunker D6/354
1,860,291 A * 5/1932 Gust A47B 83/02
297/141
2,508,932 A * 5/1950 Turner A47C 3/24
297/212
D173,910 S * 1/1955 Neuendorf D6/337
D194,038 S * 11/1962 Preston D6/337
3,226,154 A * 12/1965 Allen A47B 83/02
297/142
3,266,840 A * 8/1966 D Estrube A47B 83/02
297/158.3
3,290,105 A * 12/1966 Nall A47B 1/05
312/209
D207,005 S * 2/1967 Carlson D24/234
D209,911 S * 1/1968 Cooper D6/337
D211,886 S * 8/1968 Benjamin D6/337

FOREIGN PATENT DOCUMENTS

JP D1660145 * 5/2020

Primary Examiner — Deanna L Pratt

(74) *Attorney, Agent, or Firm* — John K. Park; Park Law Firm

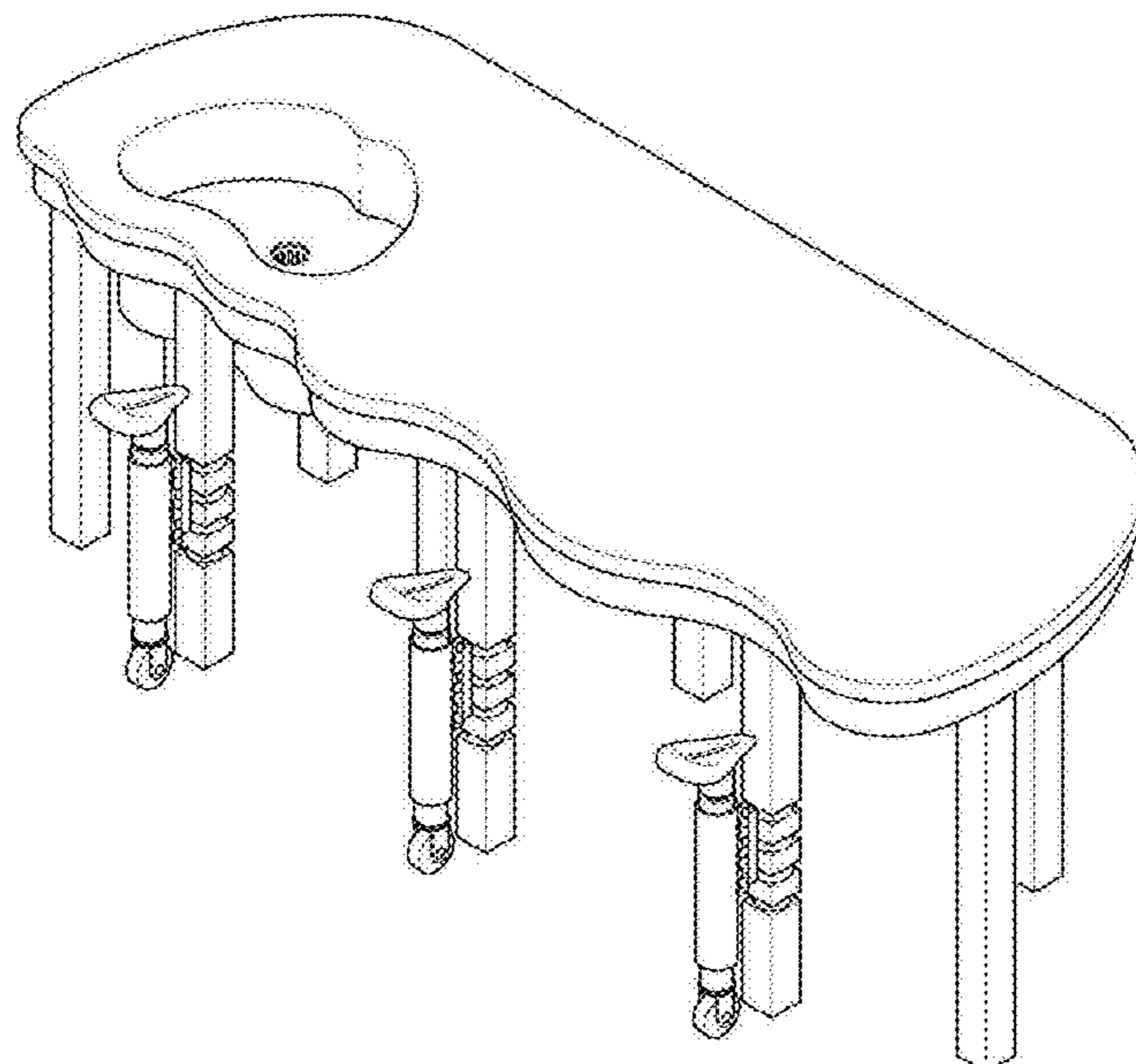
(57) **CLAIM**

The ornamental design for a table, as shown and described.

DESCRIPTION

FIG. 1 is a perspective view of a table showing my new design;
FIG. 2 is a left-side plan view thereof;
FIG. 3 is a right-side plan view thereof;
FIG. 4 is a front plan view thereof;
FIG. 5 is a rear plan view thereof;
FIG. 6 is a top plan view thereof; and,
FIG. 7 is a bottom plan view.

1 Claim, 7 Drawing Sheets



(56)

References Cited

U.S. PATENT DOCUMENTS

7,611,193 B2 * 11/2009 Bue A47C 9/022
297/141
D637,826 S * 5/2011 DeVriendt D6/338
D639,572 S * 6/2011 Frobose D6/338
D670,089 S * 11/2012 Frobose D6/338
8,740,299 B1 * 6/2014 Hall A47B 3/063
297/158.5
9,968,195 B2 * 5/2018 Sheinkop A47C 7/002
D832,604 S * 11/2018 Samikkannu D6/337
D885,071 S * 5/2020 Zheng D6/354
2005/0161984 A1 * 7/2005 Bue A47B 3/087
297/158.4

* cited by examiner

Fig. 1

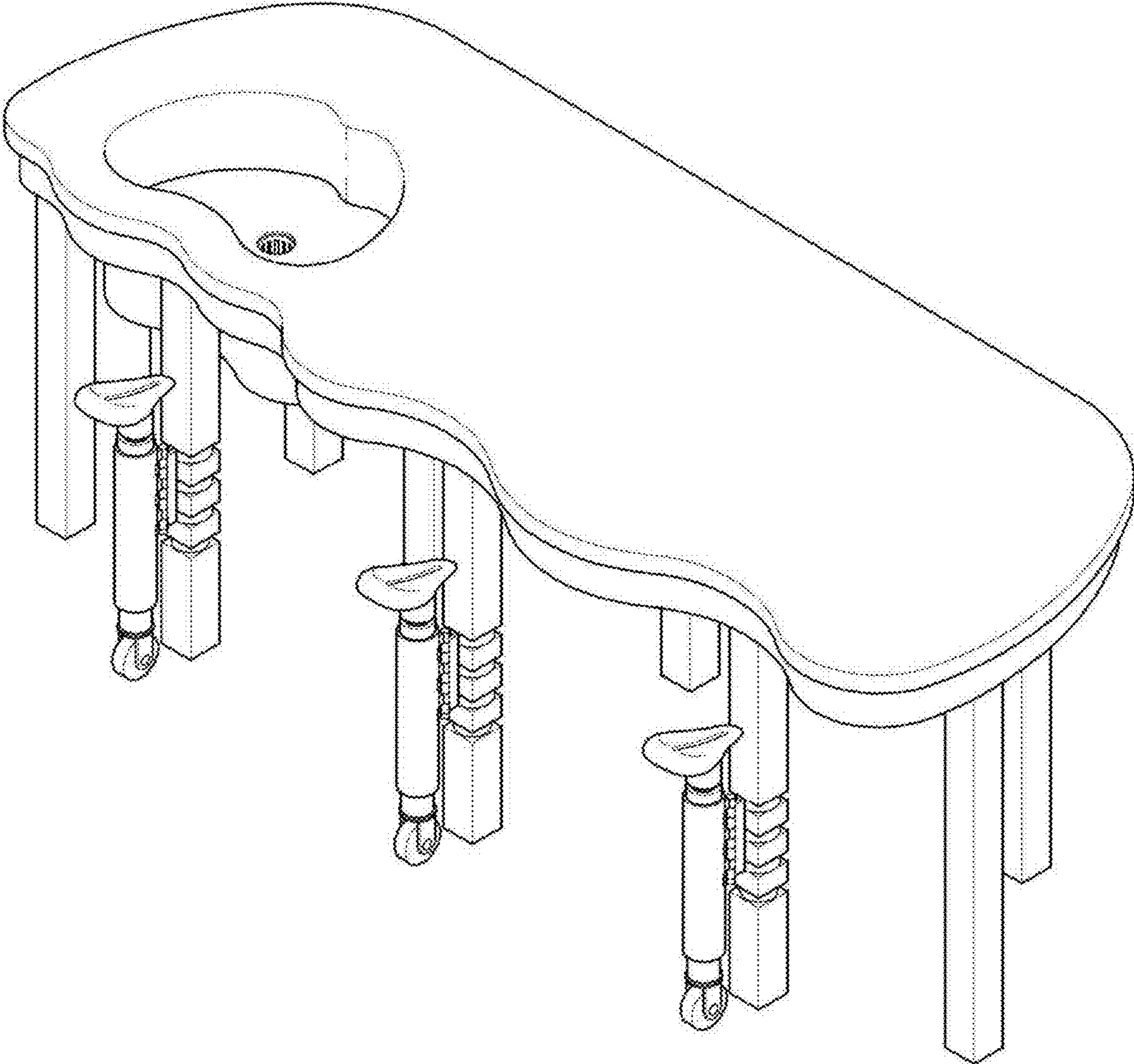


Fig. 2

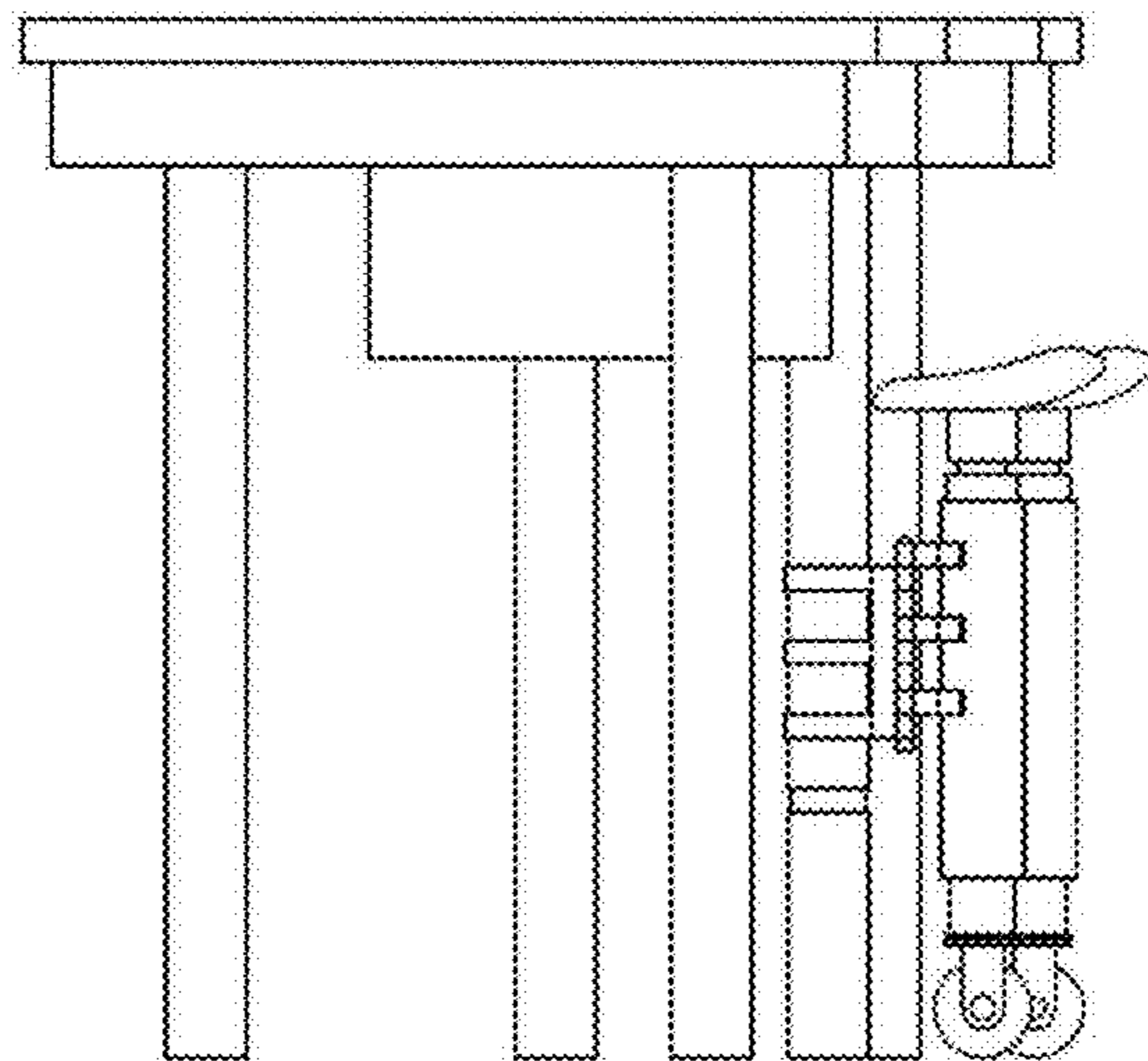


Fig. 3

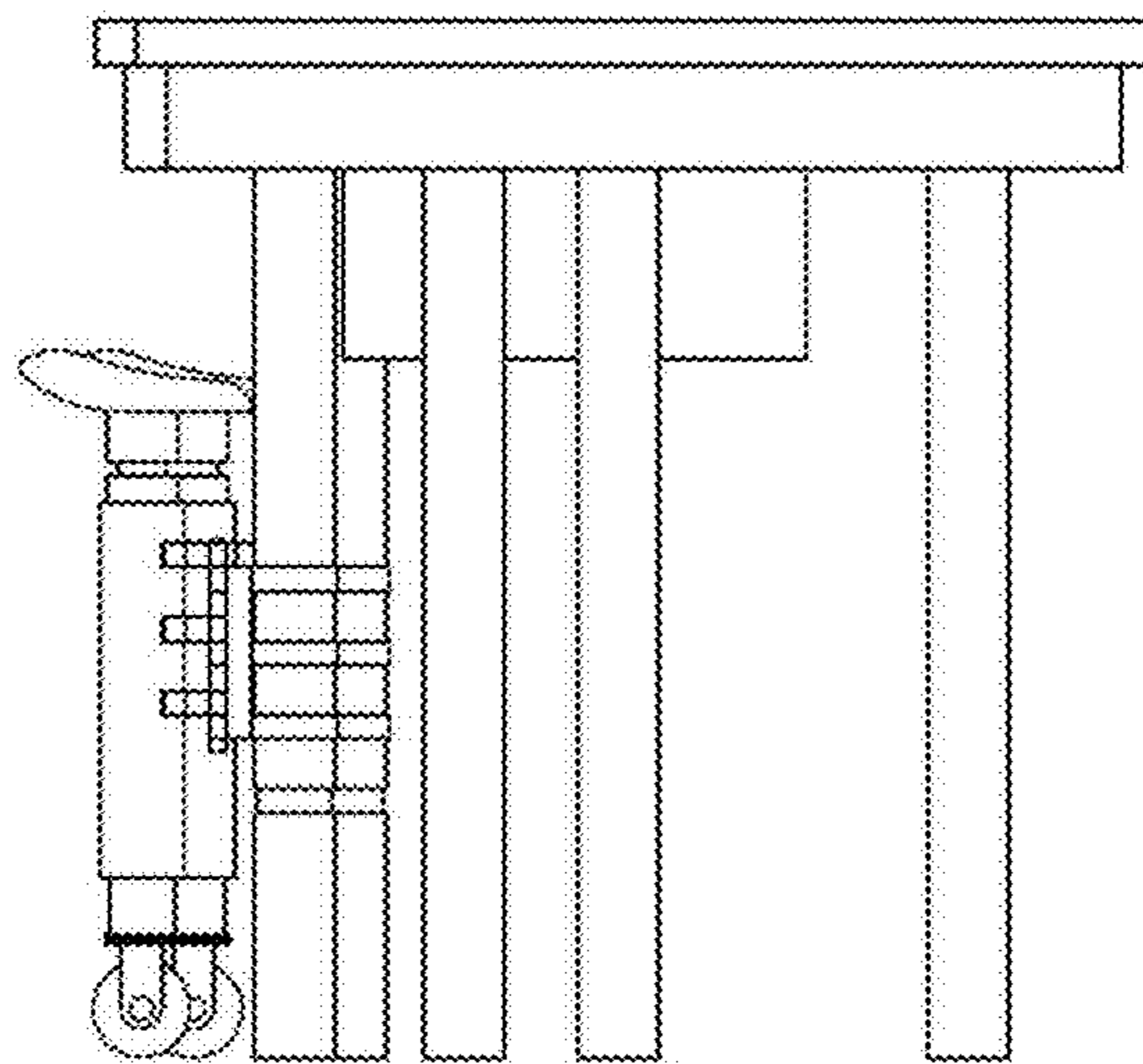


Fig. 4

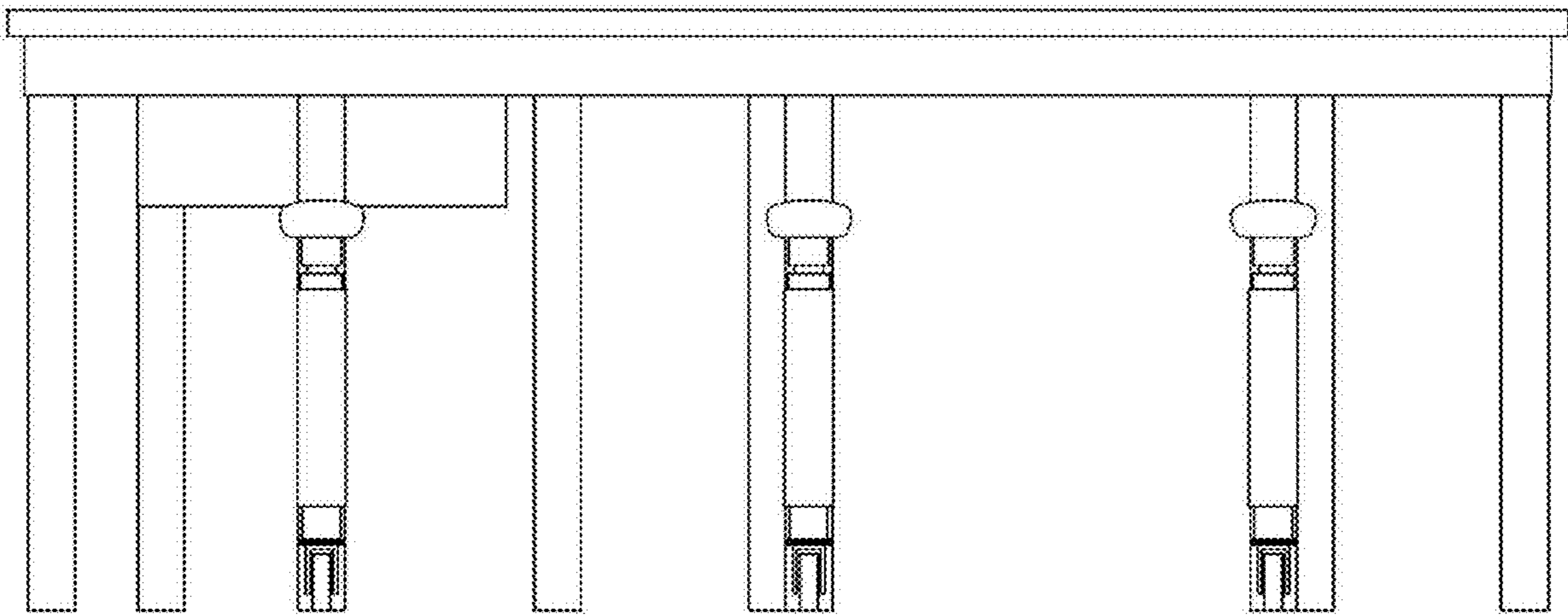


Fig. 5

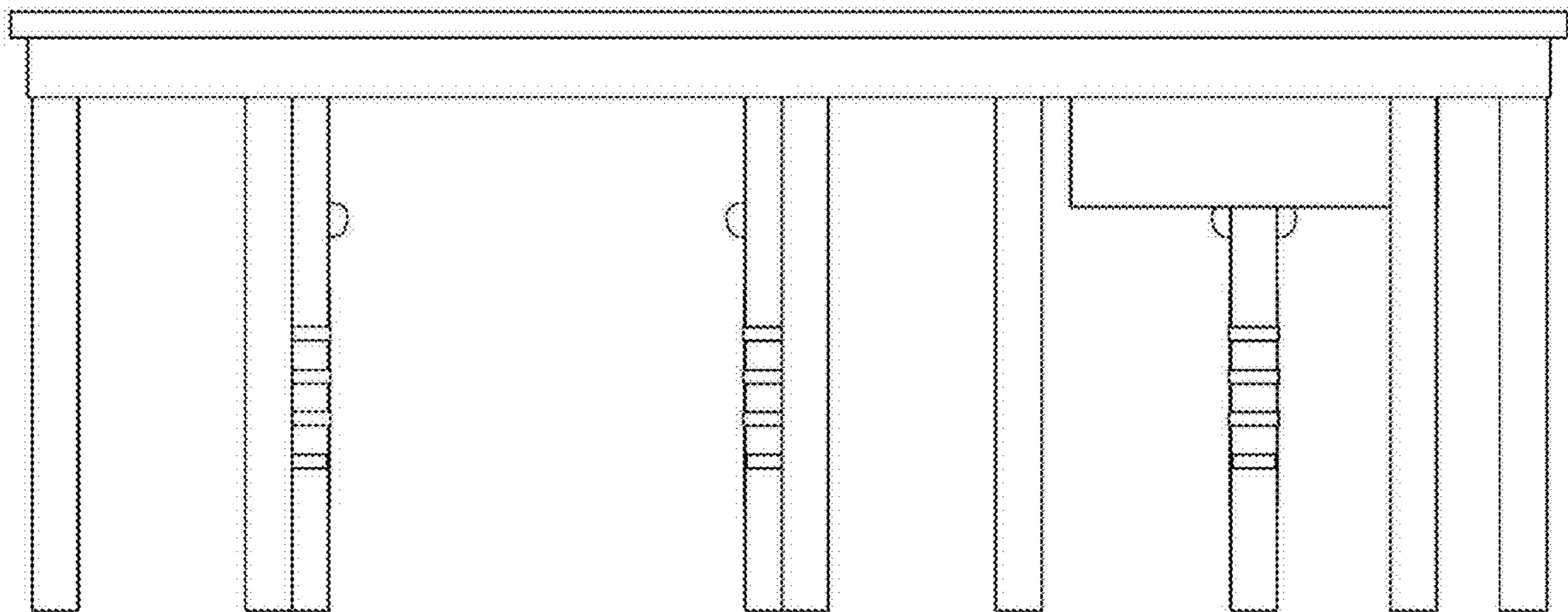


Fig. 6

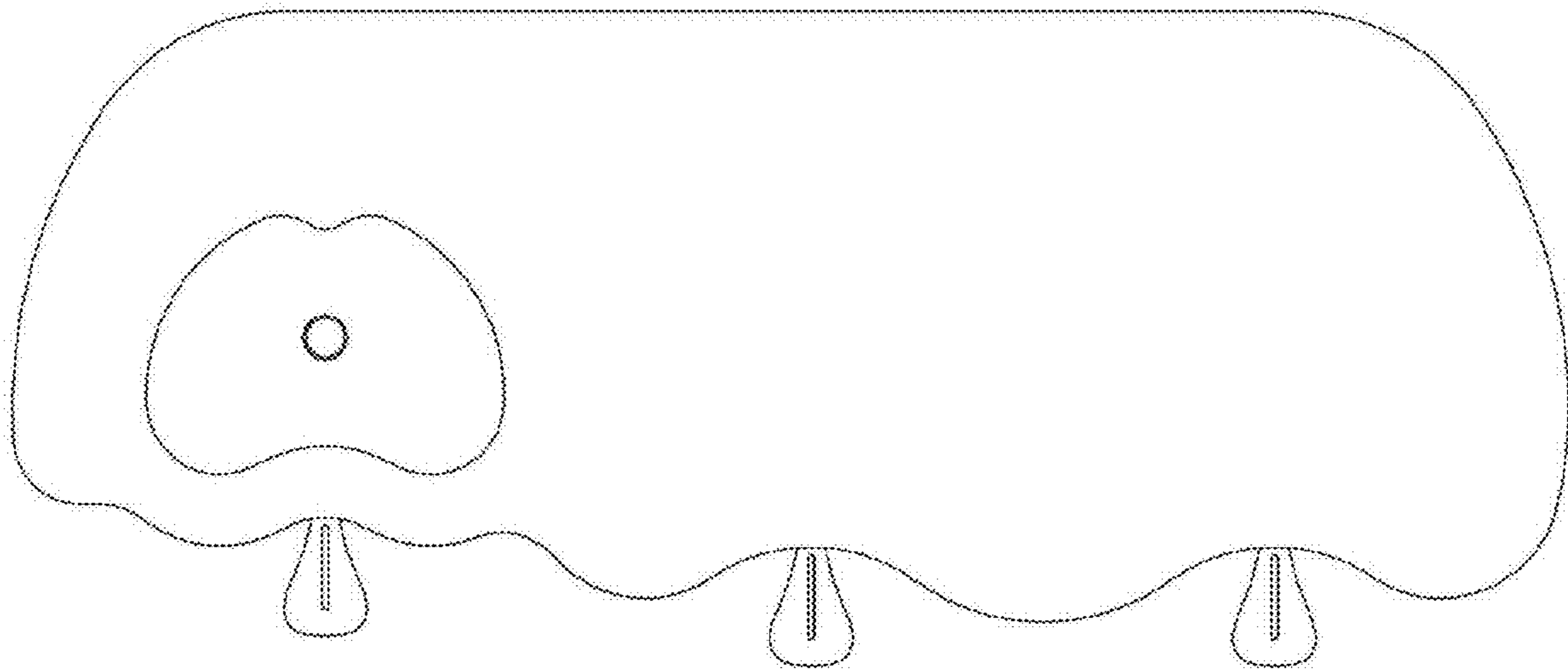


Fig. 7

