



US00D908375S

(12) **United States Design Patent**  
**Han**

(10) **Patent No.:** **US D908,375 S**  
(45) **Date of Patent:** **\*\* Jan. 26, 2021**

- (54) **TABLE**
- (71) Applicant: **Kyung Hee Han**, Sujigu (KR)
- (72) Inventor: **Kyung Hee Han**, Sujigu (KR)
- (\*\*) Term: **15 Years**
- (21) Appl. No.: **29/706,478**
- (22) Filed: **Sep. 20, 2019**
- (51) **LOC (13) Cl.** ..... **06-03**
- (52) **U.S. Cl.**  
USPC ..... **D6/337; D6/340**
- (58) **Field of Classification Search**  
USPC ..... D6/335, 336, 337, 338, 340, 354, 641,  
D6/642, 644, 650; D24/234  
CPC ..... A47B 83/02; A47B 83/021; A47B 13/10  
See application file for complete search history.

- D413,734 S \* 9/1999 Bue ..... D6/337
- 6,062,638 A \* 5/2000 Ferguson ..... A47C 9/025  
297/4
- 6,065,802 A \* 5/2000 Bue ..... A47B 3/14  
108/168
- D439,060 S \* 3/2001 Larsen ..... D6/337
- D456,155 S \* 4/2002 DeVriendt ..... D6/337
- D456,157 S \* 4/2002 Yates ..... D6/354
- D456,622 S \* 5/2002 Moquin ..... D6/337
- D459,098 S \* 6/2002 Poarch ..... D6/337
- D478,732 S \* 8/2003 Pajerski ..... D6/337
- D479,773 S \* 9/2003 Pajerski ..... D6/337
- D509,076 S \* 9/2005 Beck ..... D6/349
- D546,097 S \* 7/2007 Glass ..... D6/650
- D604,521 S \* 11/2009 Wegman ..... D6/338
- D604,523 S \* 11/2009 Wegman ..... D6/338
- D621,172 S \* 8/2010 Rivera, Jr. .... D6/338
- 8,740,299 B1 \* 6/2014 Hall ..... A47B 3/063  
297/158.5

(Continued)

**FOREIGN PATENT DOCUMENTS**

JP D1660144 \* 5/2020

*Primary Examiner* — Deanna L Pratt

(74) *Attorney, Agent, or Firm* — John K. Park; Park Law Firm

(56) **References Cited**

**U.S. PATENT DOCUMENTS**

- D28,038 S \* 12/1897 Bunker ..... D6/354
- D28,382 S \* 3/1898 Garford ..... D6/354
- D28,460 S \* 4/1898 Hunt ..... D6/354
- D28,901 S \* 6/1898 Bunker ..... D6/354
- 1,860,291 A \* 5/1932 Majcher ..... A47B 83/02  
297/141
- 2,508,932 A \* 5/1950 Turner ..... A47C 3/24  
297/212
- D173,910 S \* 1/1955 Neuendorf ..... D6/337
- D194,038 S \* 11/1962 Preston ..... D6/337
- 3,266,840 A \* 8/1966 D Estrube ..... A47B 83/02  
297/158.3
- D209,911 S \* 1/1968 Cooper ..... D6/337
- 3,477,760 A \* 11/1969 Bue ..... G09B 5/10  
297/158.3
- D244,409 S \* 5/1977 Arnold ..... D6/337
- D250,151 S \* 11/1978 Pingel ..... D6/337
- D252,058 S \* 6/1979 Patterson ..... D6/338
- D310,451 S \* 9/1990 Webb ..... D6/337

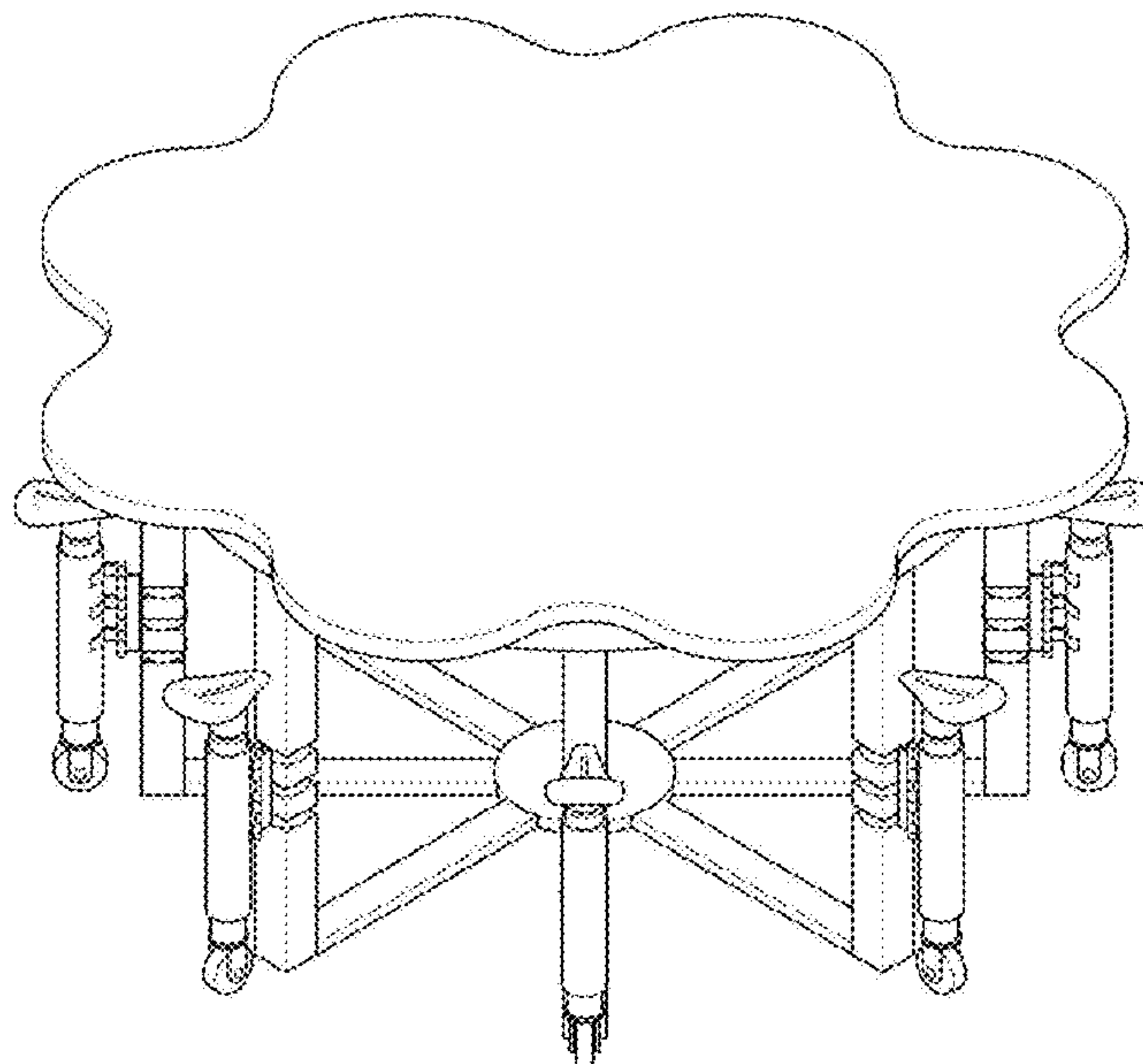
(57) **CLAIM**

The ornamental design for a table, as shown and described.

**DESCRIPTION**

FIG. 1 is a perspective view of a table showing my new design;  
 FIG. 2 is a left-side plan view thereof;  
 FIG. 3 is a right-side plan view thereof;  
 FIG. 4 is a front plan view thereof;  
 FIG. 5 is a rear plan view thereof;  
 FIG. 6 is a top plan view thereof; and,  
 FIG. 7 is a bottom plan view.

**1 Claim, 7 Drawing Sheets**



(56)

**References Cited**

U.S. PATENT DOCUMENTS

D802,945 S *	11/2017	Rivera, Jr.	.....	D6/337
9,968,195 B2 *	5/2018	Sheinkop	.....	A47C 7/002
D885,071 S *	5/2020	Zheng	.....	D6/354
2002/0140259 A1 *	10/2002	Wiegand	.....	A47C 7/029
				297/195.11

\* cited by examiner

Fig. 1

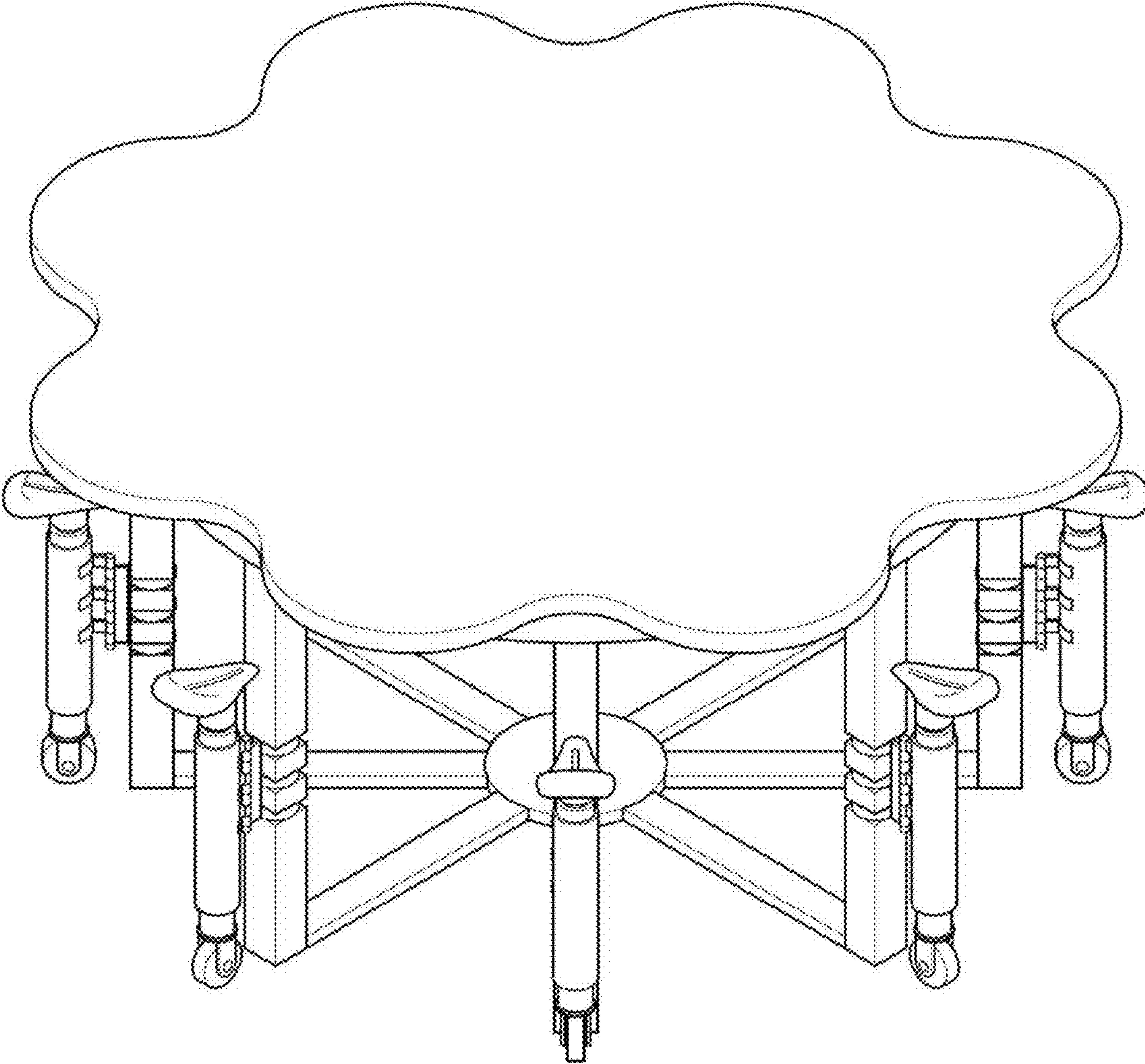


Fig. 2

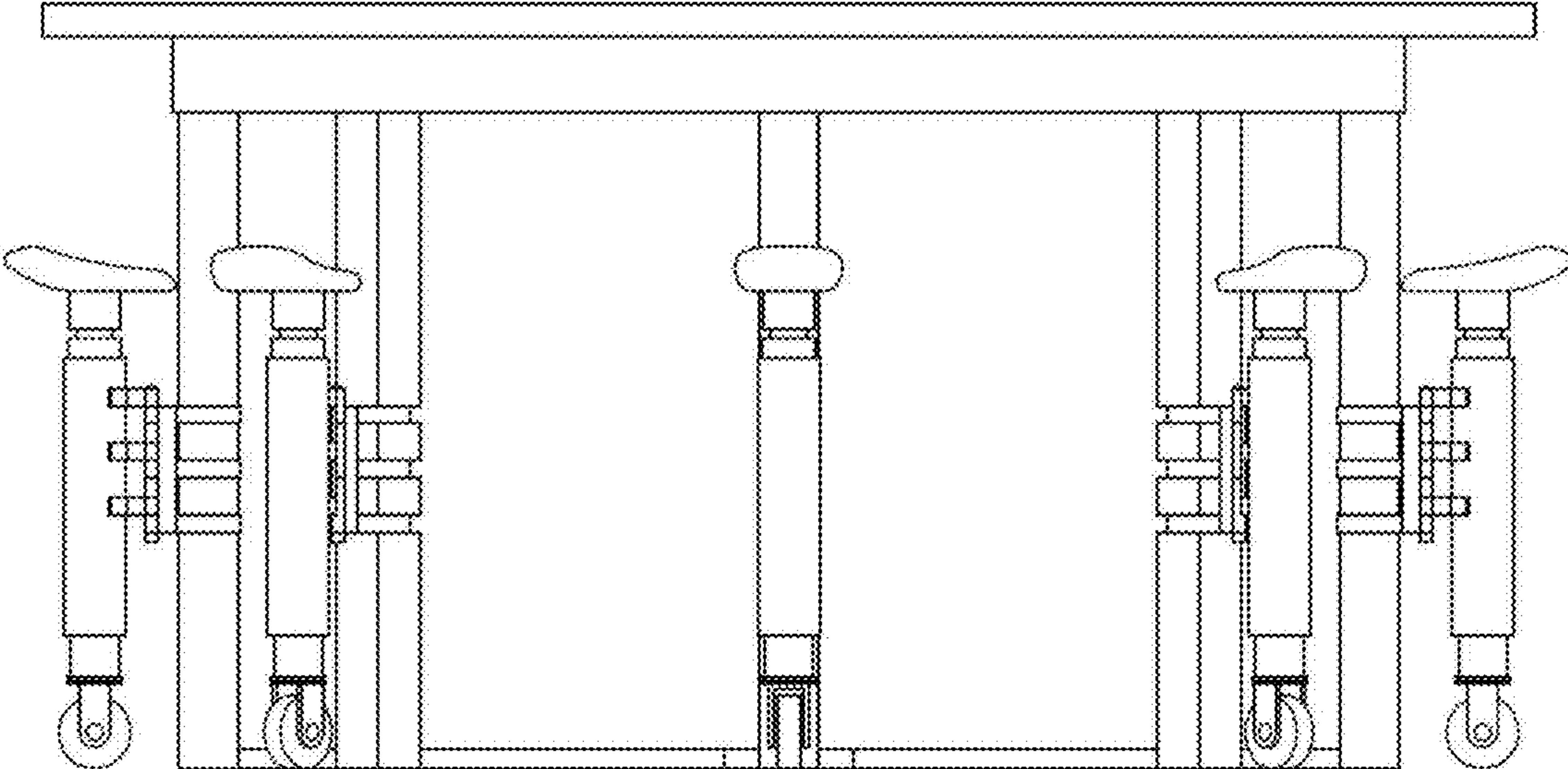




Fig. 3

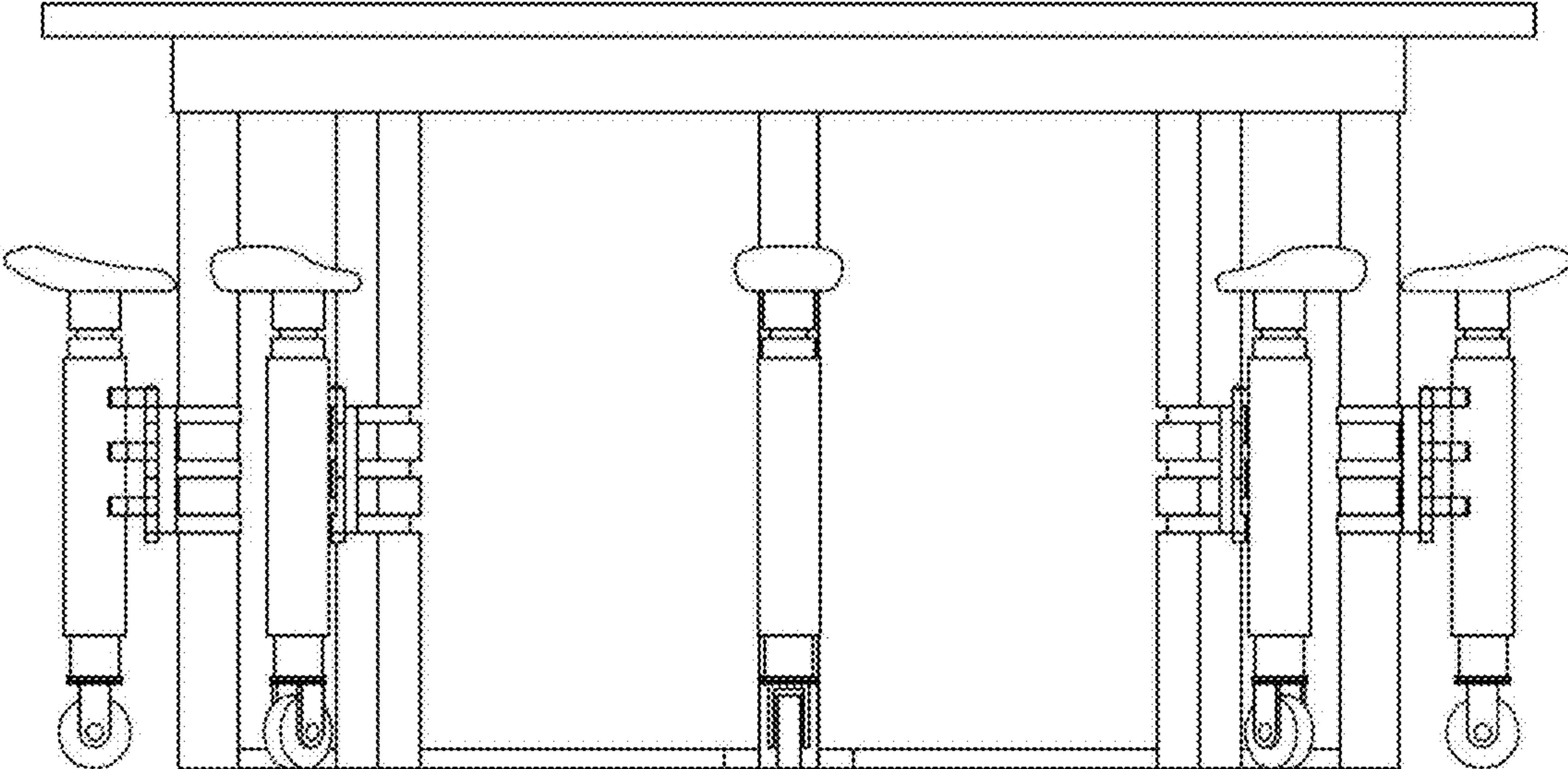


Fig. 4

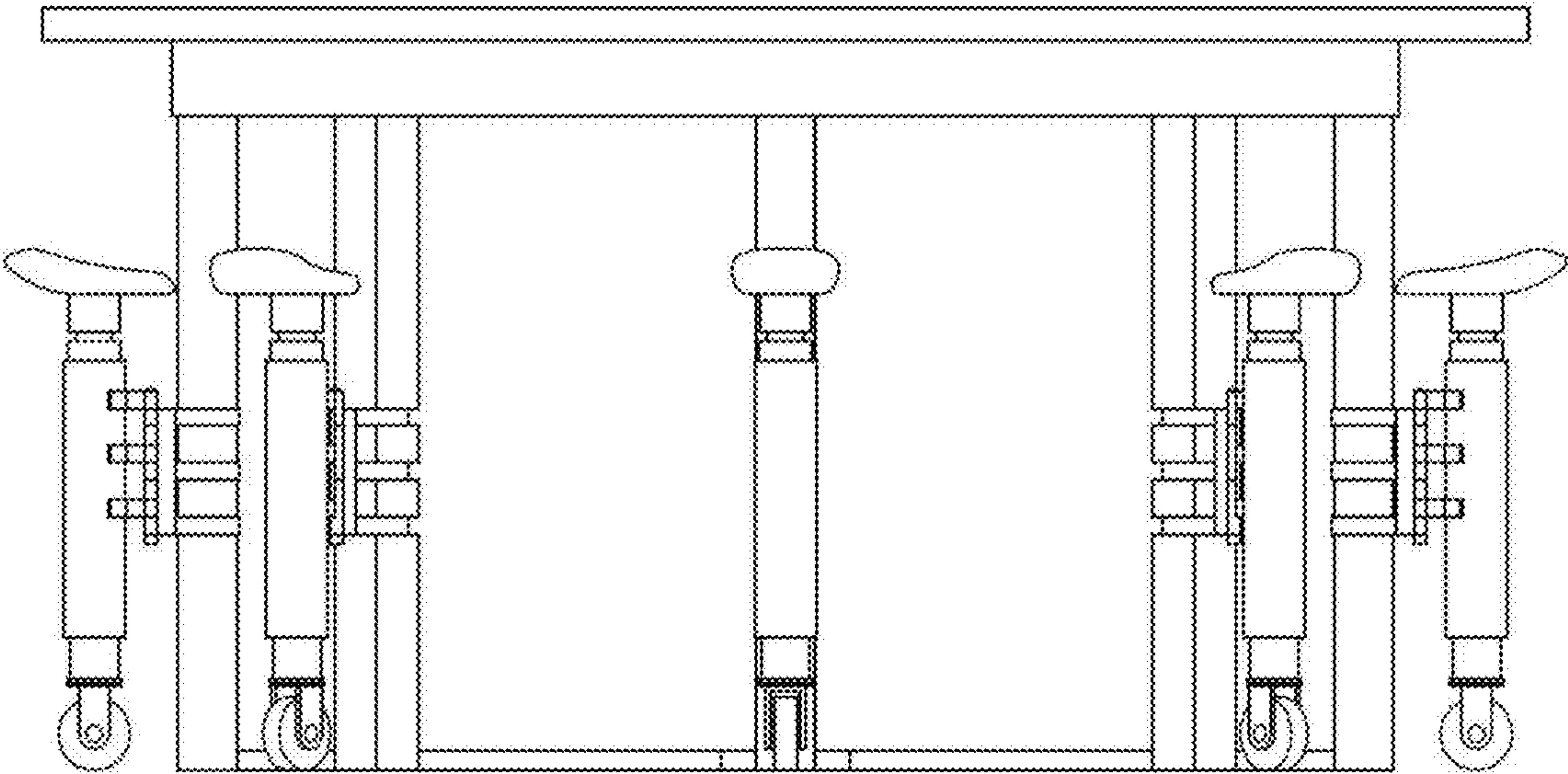


Fig. 5

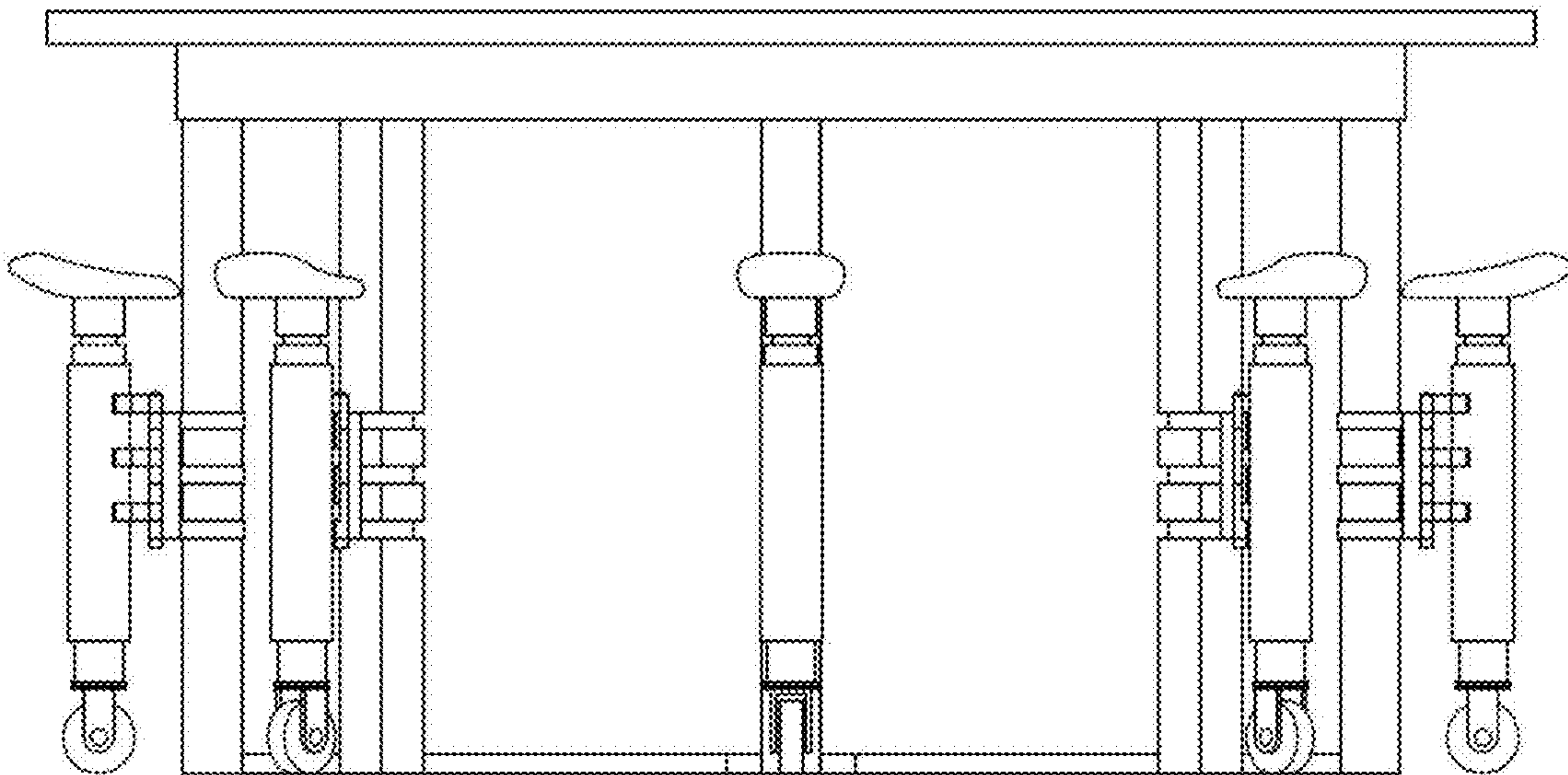


Fig. 6

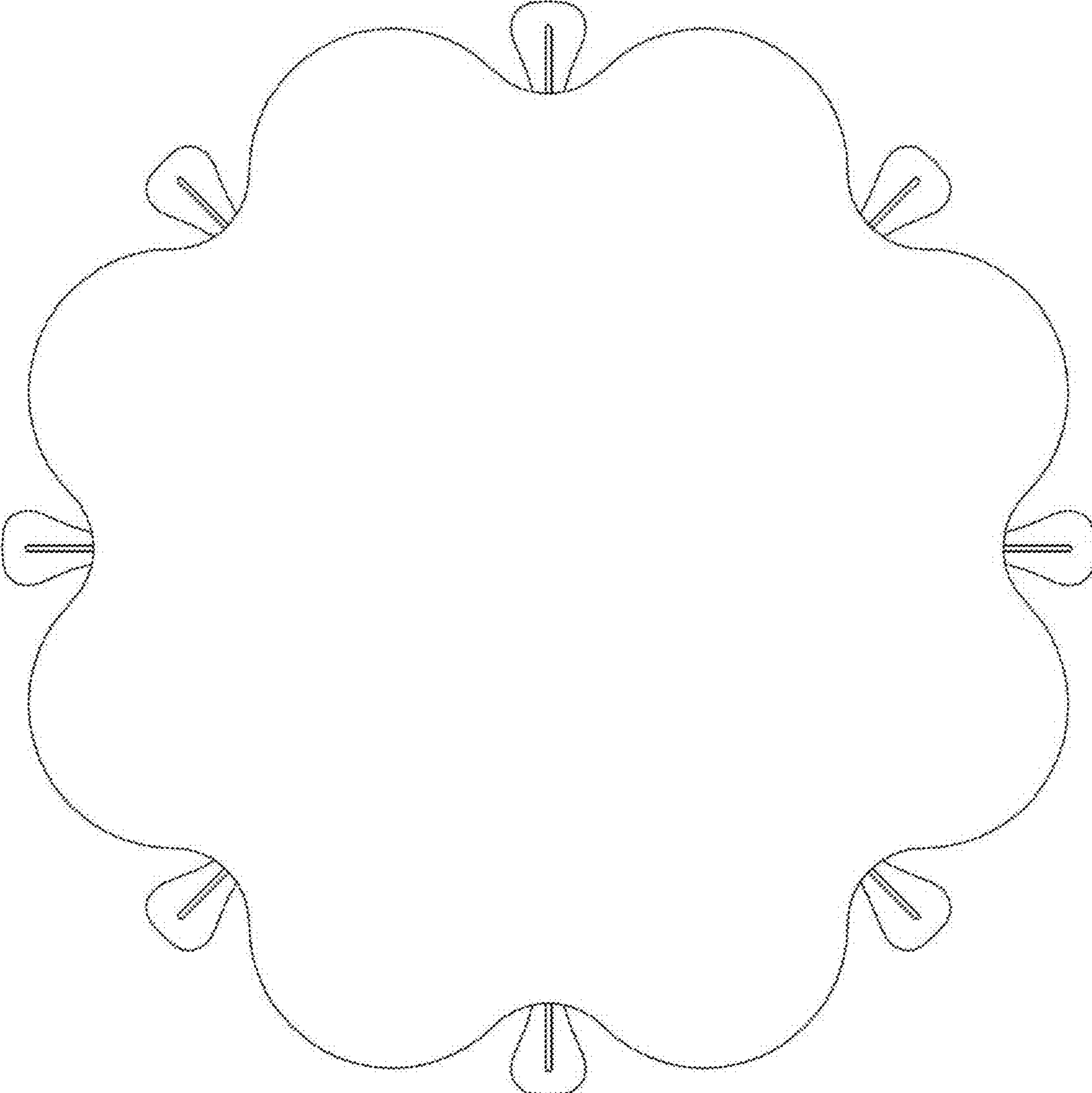




Fig. 7

