



US00D908374S

(12) **United States Design Patent**  
**Barber et al.**

(10) **Patent No.:** **US D908,374 S**  
(45) **Date of Patent:** **\*\* Jan. 26, 2021**

- (54) **MODULAR SOFA**
- (71) Applicant: **Vitra Patente AG**, Birsfelden (CH)
- (72) Inventors: **Edward Barber**, London (GB); **Jay Osgerby**, London (GB)
- (73) Assignee: **Vitra Patente AG**, Birsfelden (CH)
- (\*\*) Term: **15 Years**
- (21) Appl. No.: **29/736,958**
- (22) Filed: **Jun. 4, 2020**

D480,883 S ‡	10/2003	Williams	.....	D6/334
7,131,699 B2 ‡	11/2006	Mulmed	.....	A47C 1/12
				297/440.14
8,075,054 B2 ‡	12/2011	Smith	.....	A47B 83/02
				297/217.3
D675,453 S ‡	2/2013	Blet	.....	D6/335
D698,178 S *	1/2014	Nguyen	.....	D6/381
9,770,112 B2 ‡	9/2017	Wu	.....	A47B 83/001
9,936,808 B2 ‡	4/2018	Iacovoni	.....	A47C 13/005
D849,427 S *	5/2019	Lissoni	.....	D6/336
D854,839 S ‡	7/2019	Hiyoshi	.....	D6/337
D859,015 S ‡	9/2019	Iwasaki	.....	D6/335
D859,860 S *	9/2019	Iwasaki	.....	D6/336
D859,874 S ‡	9/2019	Lipparini	.....	D6/381
D861,369 S ‡	10/2019	Citterio	.....	D6/375
D863,809 S ‡	10/2019	Citterio	.....	D6/375

(Continued)

**Related U.S. Application Data**

- (62) Division of application No. 29/661,656, filed on Aug. 29, 2018.

**Foreign Application Priority Data**

- Aug. 29, 2018 (WO) ..... 75119
- (51) **LOC (13) Cl.** ..... **06-01**
- (52) **U.S. Cl.**  
USPC ..... **D6/336; D6/381**
- (58) **Field of Classification Search**  
USPC ..... D6/335–338, 357, 381  
CPC ..... A47C 17/00; A47C 17/02; A47C 17/04;  
A47C 17/86; A47C 13/005; A47C 15/00;  
A47B 83/00; A47B 83/02; A47B 83/023;  
A47B 83/04

See application file for complete search history.

**References Cited**

**U.S. PATENT DOCUMENTS**

D202,339 S *	9/1965	McRee	.....	D6/336
D256,297 S *	8/1980	Gera	.....	D6/336
D270,403 S *	9/1983	Matthias	.....	D6/378
D279,237 S ‡	6/1985	Balonick	.....	D6/335

**OTHER PUBLICATIONS**

“Modular Furniture for Any Workplace” Helen Jeong, The Sheridan Group, Apr. 23, 2018, site visited Apr. 30, 2020, available online at <https://www.sheridaninc.com/articles/modular-furniture-for-any-workplace> (Year: 2018).‡

(Continued)

*Primary Examiner* — Catheron C Brooks  
(74) *Attorney, Agent, or Firm* — Dentons US LLP

**CLAIM**

(57) The ornamental design for the modular sofa, as shown and described.

**DESCRIPTION**

FIG. 1 is a front, perspective-view of a modular sofa;  
FIG. 2 is a front view thereof;  
FIG. 3 is a right-side view thereof;  
FIG. 4 is a back view thereof;  
FIG. 5 is a left-side view thereof; and,  
FIG. 6 is a top view thereof.

**1 Claim, 6 Drawing Sheets**



(56)

**References Cited**

U.S. PATENT DOCUMENTS

2005/0140184 A1 ‡ 6/2005 Williams ..... A47C 13/00  
297/135  
2014/0062145 A1 ‡ 3/2014 Iacovoni ..... A47B 83/001  
297/135  
2017/0000259 A1 ‡ 1/2017 Tsuchiyama ..... A47C 13/005

OTHER PUBLICATIONS

Teknion Zones Modular Seating, [architonic.com](https://www.architonic.com/en/microsite/teknion/3105125), launched 2018, site visited Apr. 30, 2020, available online at <https://www.architonic.com/en/microsite/teknion/3105125> (Year: 2018). ‡

Jeong, Modular Furniture for Any Workplace, The Sheridan Group, Apr. 23, 2018, site visited Apr. 30, 2020, available online at <https://www.sheridaninc.com/articles/modular-furniture-for-any-workplace> (Year: 2018).

\* cited by examiner

‡ imported from a related application

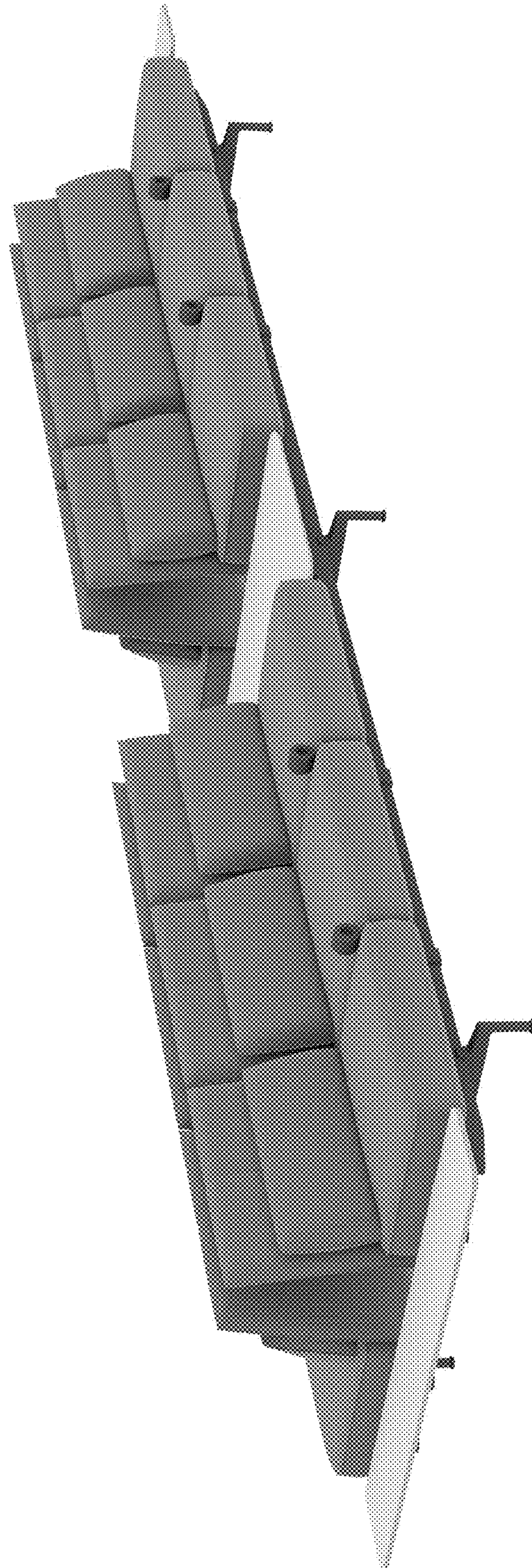


FIG. 1

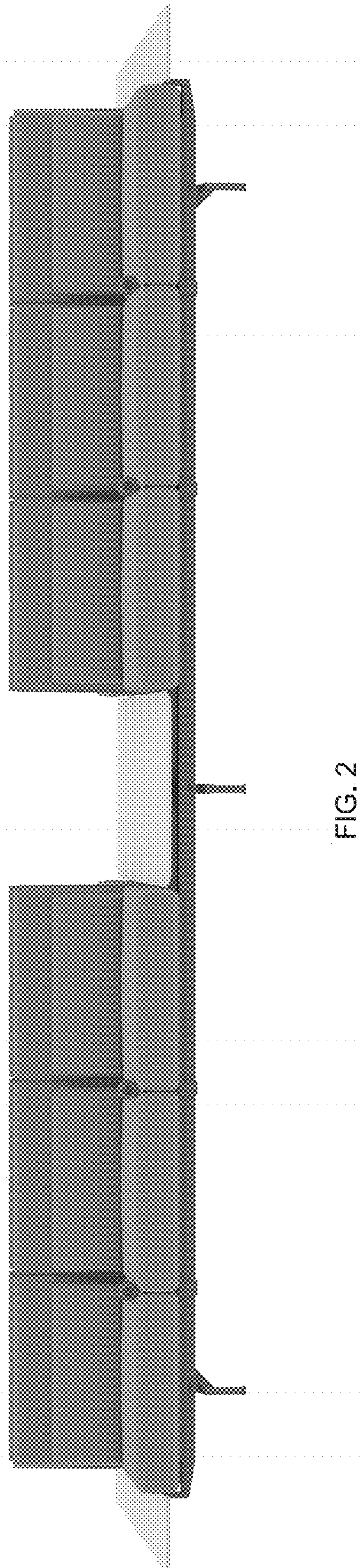


FIG. 2

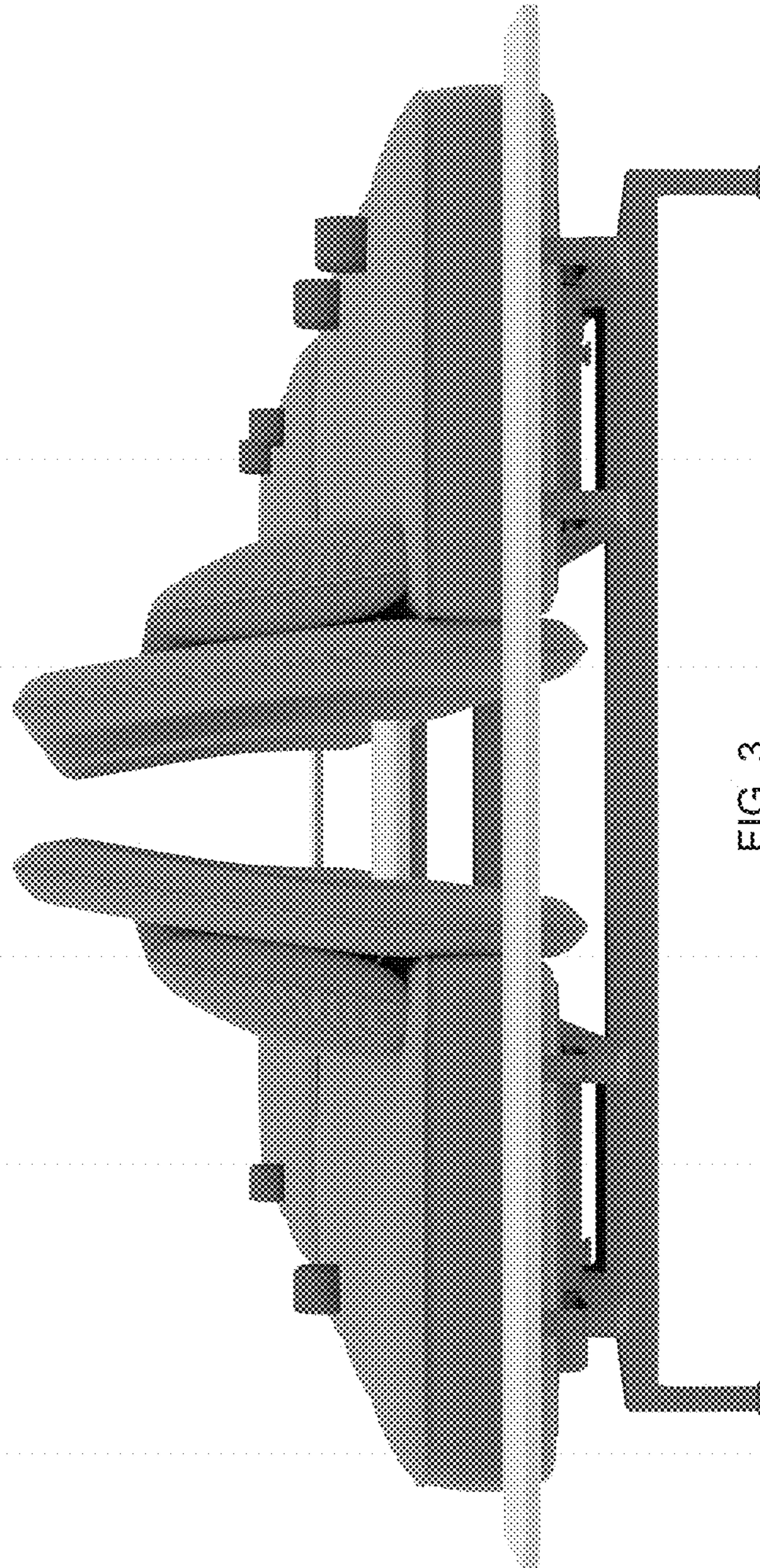


FIG. 3

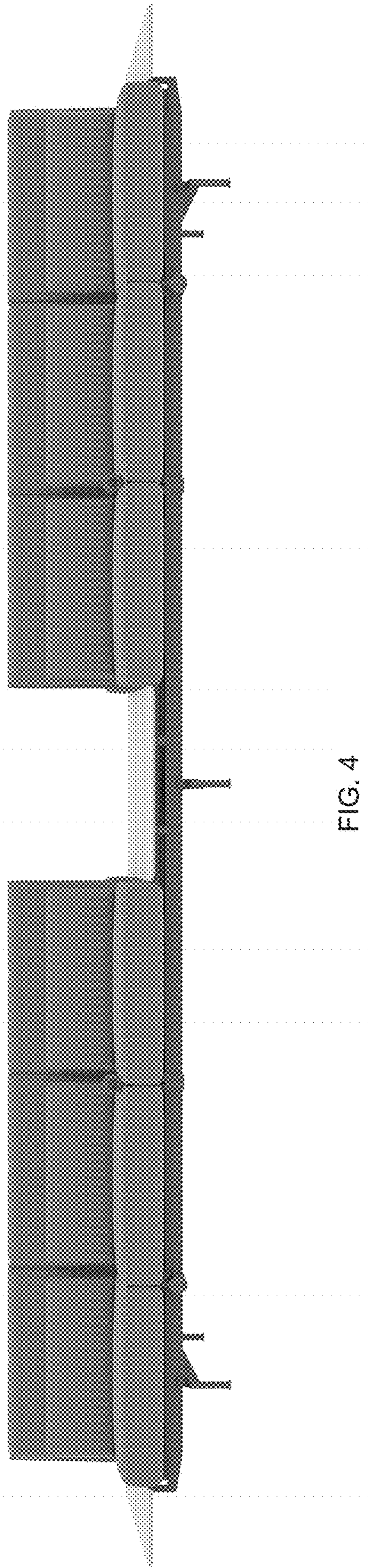


FIG. 4

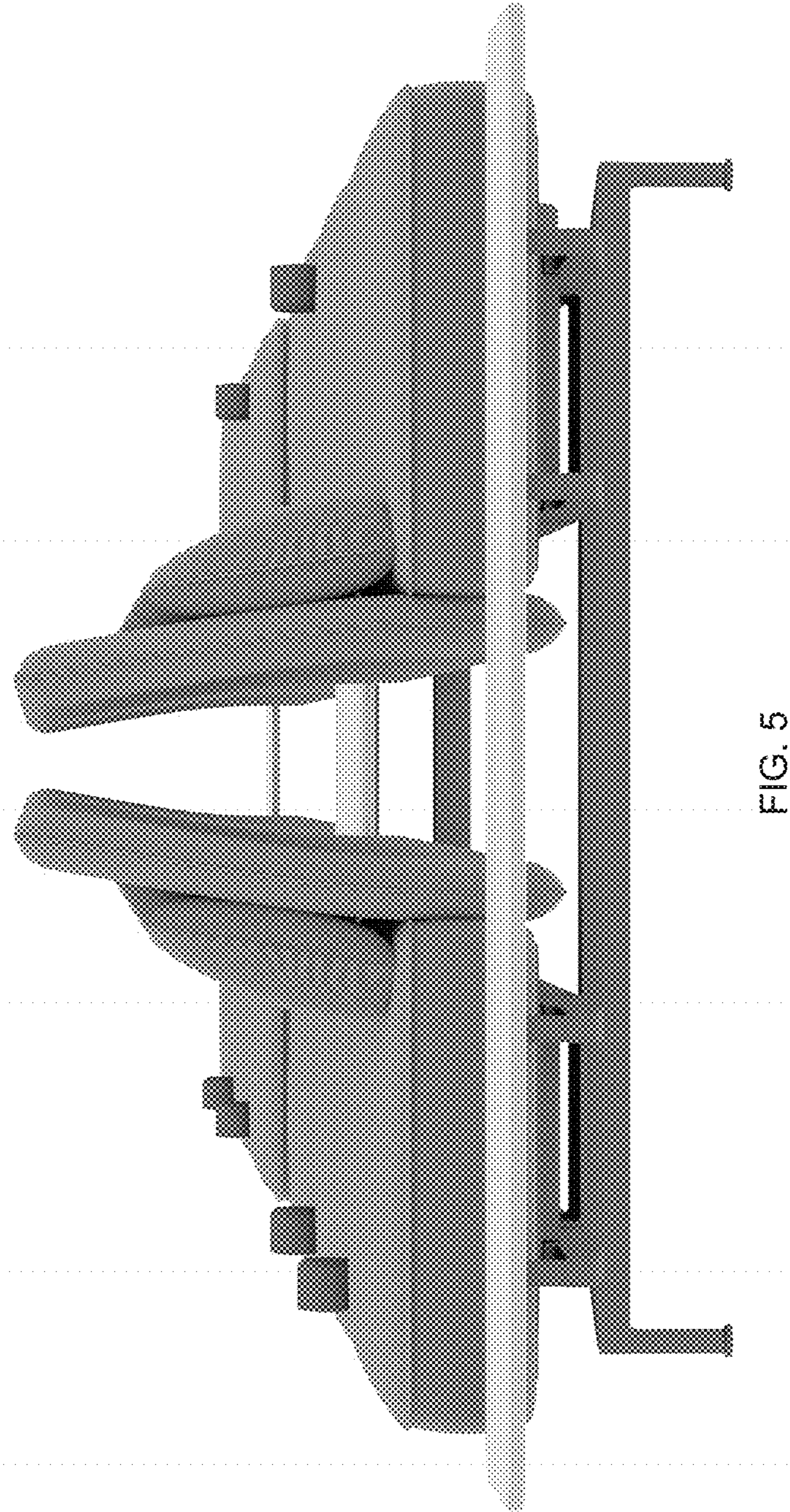


FIG. 5

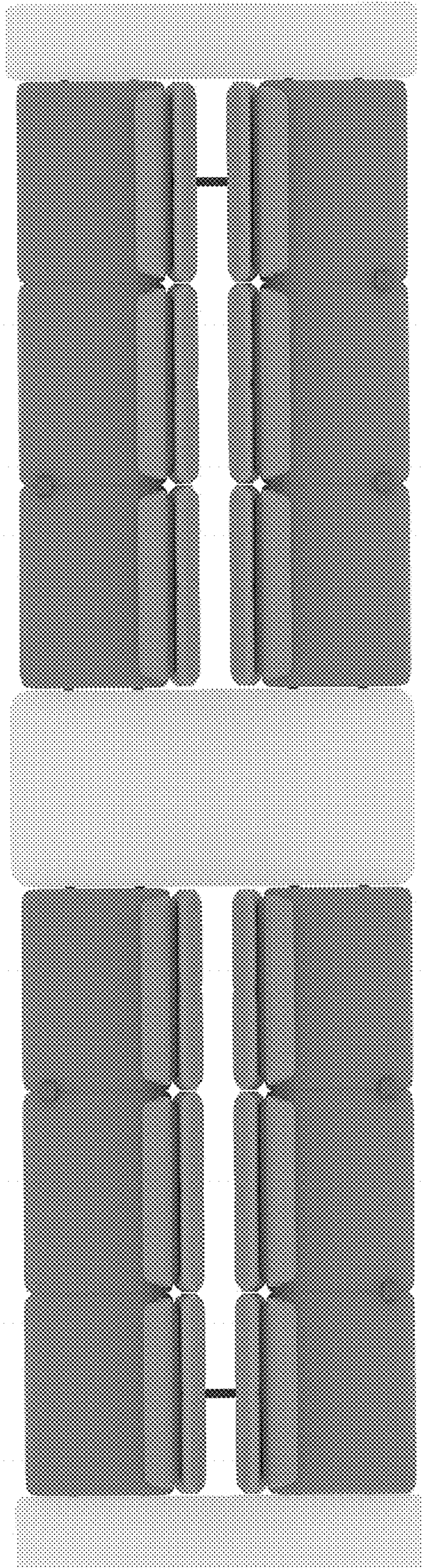


FIG. 6