



US00D908373S

(12) **United States Design Patent**
Wang

(10) **Patent No.:** **US D908,373 S**
(45) **Date of Patent:** **** Jan. 26, 2021**

(54) **ERGONOMIC CHAIR**
(71) Applicant: **Jiachen Wang**, Guangdong (CN)
(72) Inventor: **Jiachen Wang**, Guangdong (CN)
(**) Term: **15 Years**
(21) Appl. No.: **29/746,898**
(22) Filed: **Aug. 18, 2020**

(30) **Foreign Application Priority Data**

Aug. 12, 2020 (CN) 2020 3 0456653

(51) **LOC (13) Cl.** **06-01**

(52) **U.S. Cl.**
USPC **D6/335**

(58) **Field of Classification Search**
USPC D6/335, 336, 338, 341, 342, 360, 366
CPC A47C 1/00; A47C 7/029
See application file for complete search history.

(56) **References Cited**

U.S. PATENT DOCUMENTS

- 3,820,844 A * 6/1974 Fortnam A47C 7/52
297/423.37
- D233,807 S * 12/1974 Ruf D6/366
- D243,486 S * 3/1977 Buhk D6/366
- D266,291 S * 9/1982 Leffler D6/352
- D267,680 S * 1/1983 Leffler D6/366
- D276,766 S * 12/1984 Truette D6/366
- D283,762 S * 5/1986 Caruso D6/335
- D308,606 S * 6/1990 Behringer D6/366
- D370,569 S * 6/1996 Opsvik D6/360
- D437,129 S * 2/2001 Pinto D6/330
- D439,066 S * 3/2001 Hannes D6/366
- D493,292 S * 7/2004 Seiler D6/342
- D496,803 S * 10/2004 Bjurman D6/364
- D515,831 S * 2/2006 Hosoe D6/360
- D540,048 S * 4/2007 Llusca D6/360

- D577,229 S * 9/2008 Haaksma D6/366
- D577,230 S * 9/2008 Haaksma D6/366
- 7,628,455 B2 * 12/2009 Brodeur A47C 7/024
297/284.9
- D657,594 S * 4/2012 Knight D6/716
- D663,541 S * 7/2012 Onopa D6/360
- 8,297,706 B2 * 10/2012 Matthews A47C 9/005
297/423.12
- 8,585,136 B2 * 11/2013 Warncke A47C 4/02
297/134
- D698,162 S * 1/2014 Kita D6/335
- D729,531 S * 5/2015 Veatch D6/349
- D751,306 S * 3/2016 Winningham D6/336
- D770,789 S * 11/2016 Chen D6/366
- D777,462 S * 1/2017 Haaksma D6/366
- D789,105 S 6/2017 Voigt et al.
- D815,446 S * 4/2018 Jahns D6/366
- D868,518 S * 12/2019 Tamura D6/716
- D882,978 S * 5/2020 Fribush D6/366
- D893,899 S 8/2020 Osler

* cited by examiner

Primary Examiner — Deanna L Pratt

(74) *Attorney, Agent, or Firm* — ScienBiziP, P.C.

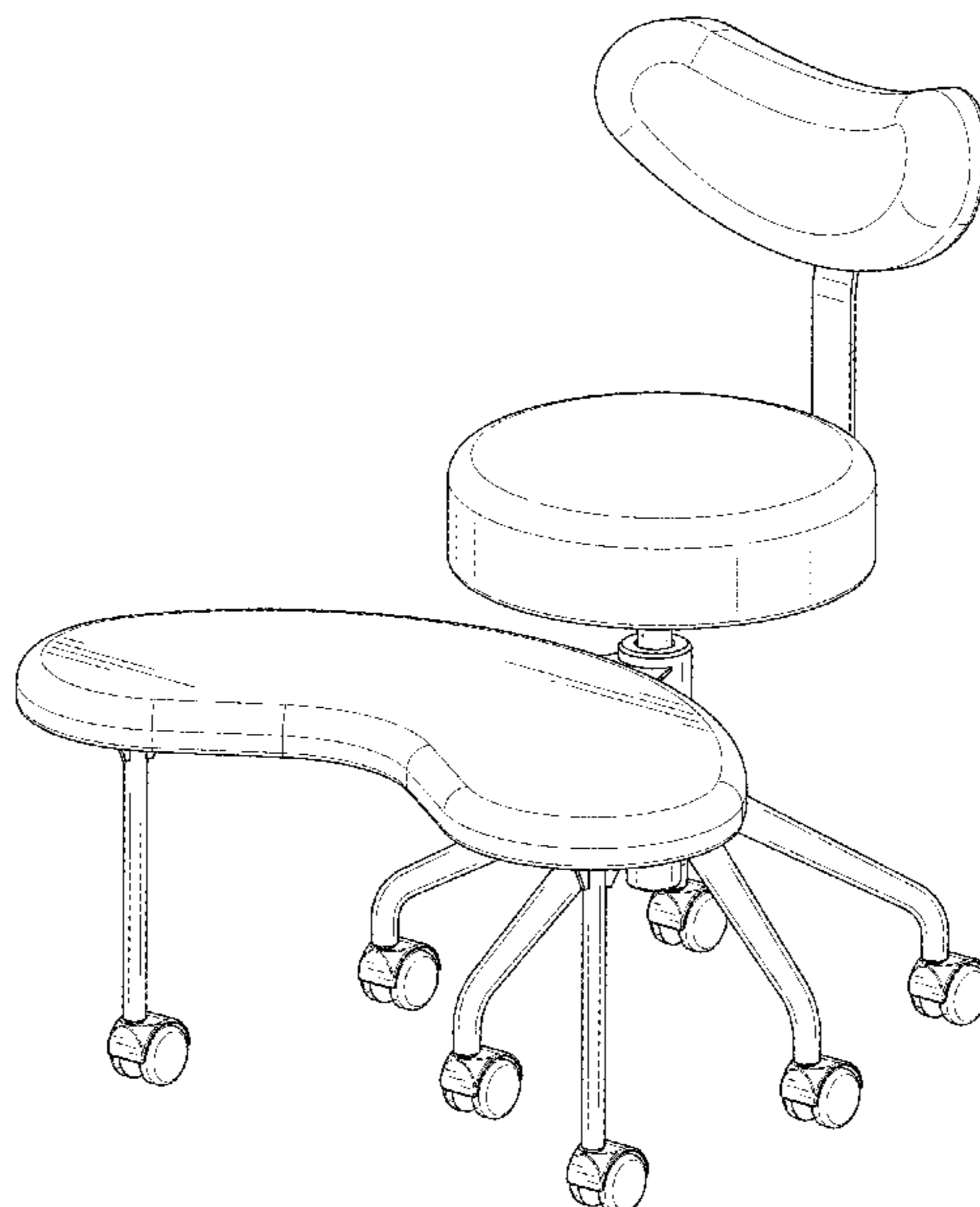
(57) **CLAIM**

The ornamental design for an ergonomic chair, as shown and described.

DESCRIPTION

FIG. 1 is a front perspective view of an ergonomic chair, showing my design.
FIG. 2 is a front elevation view thereof.
FIG. 3 is a rear elevation view thereof.
FIG. 4 is a left side elevation view thereof.
FIG. 5 is a right side elevation view thereof.
FIG. 6 is a top plan view thereof; and,
FIG. 7 is a bottom plan view thereof.
The broken lines illustrate portions of the ergonomic chair that form no part of the claimed design.

1 Claim, 7 Drawing Sheets



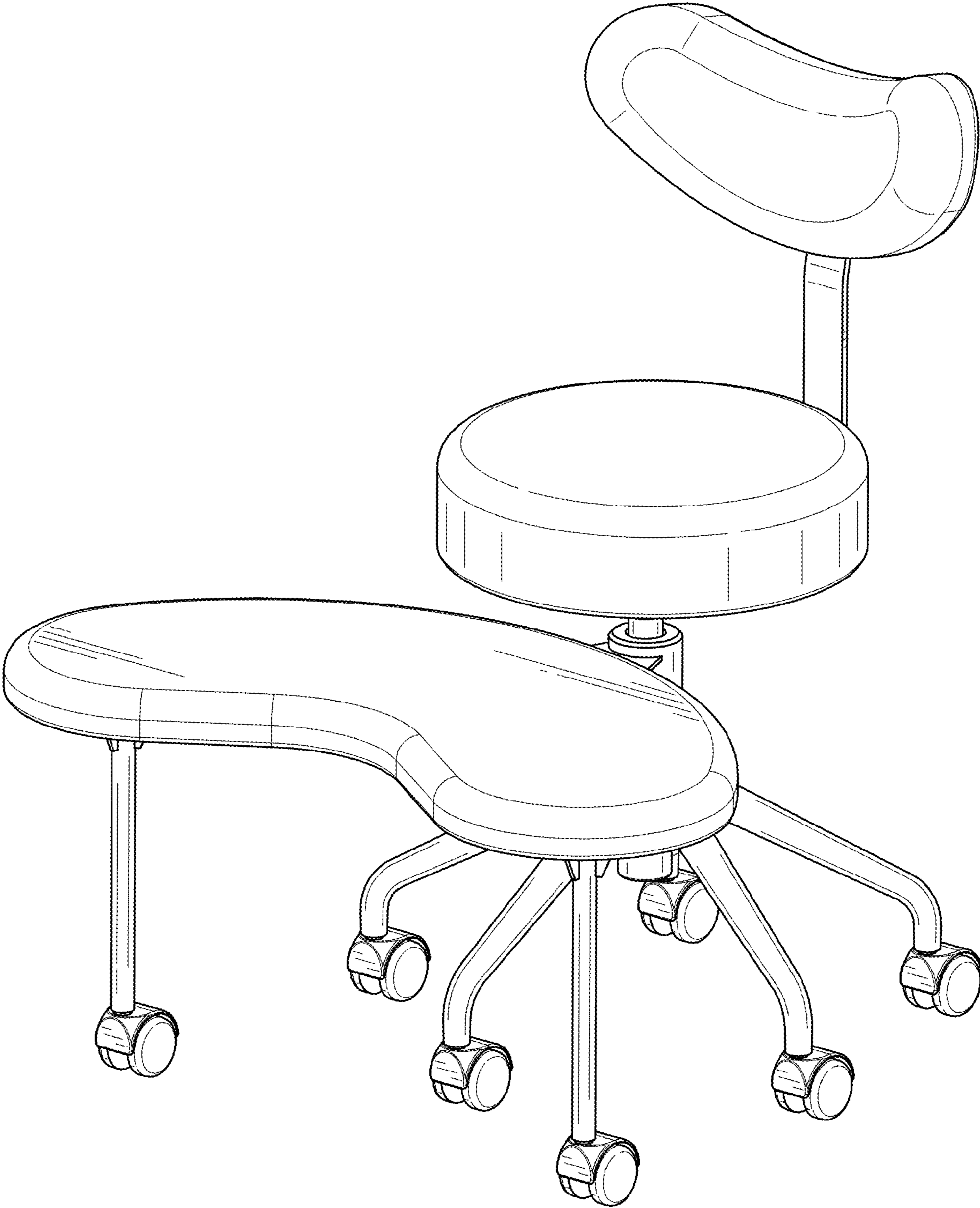


FIG.1

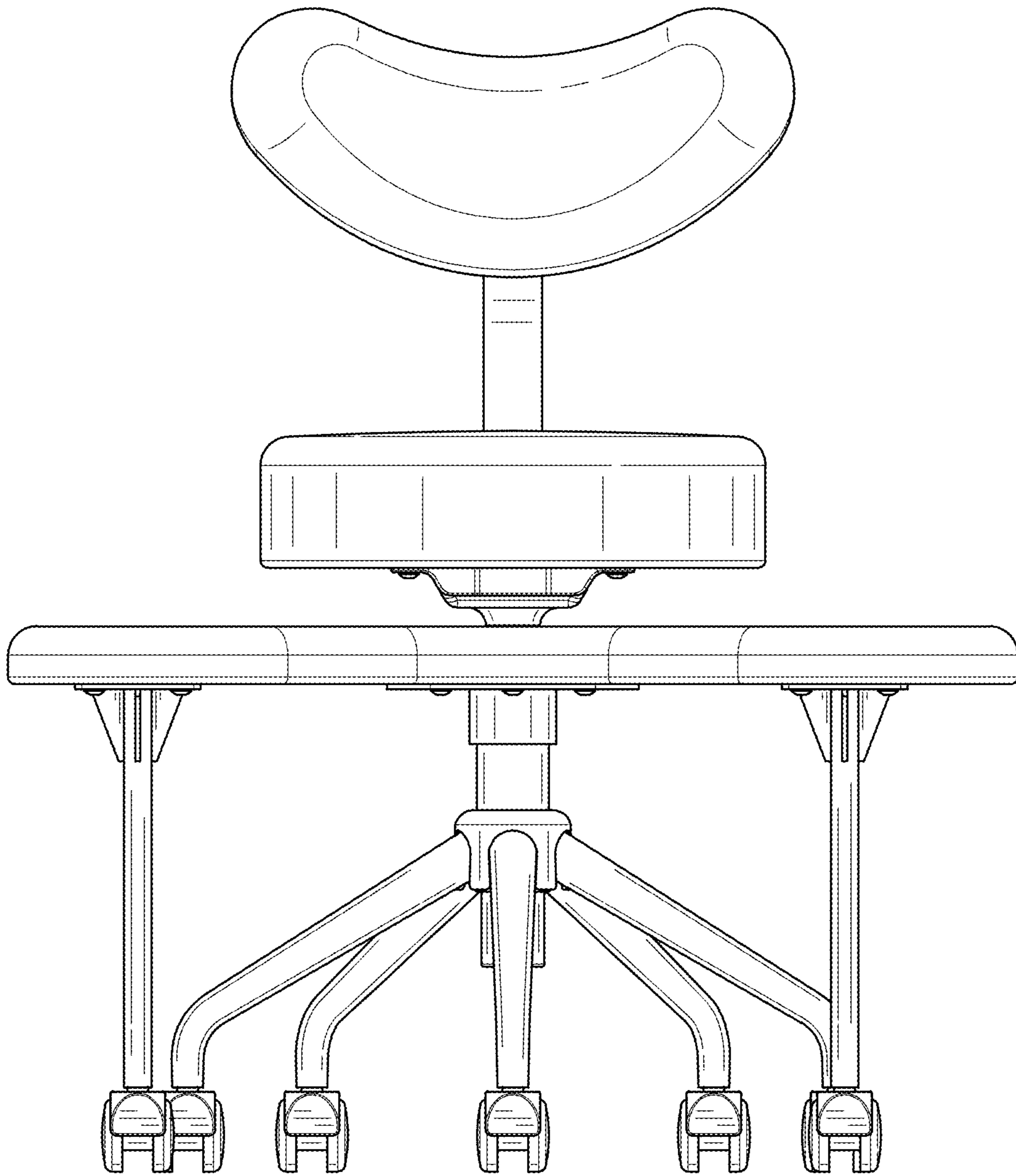


FIG.2

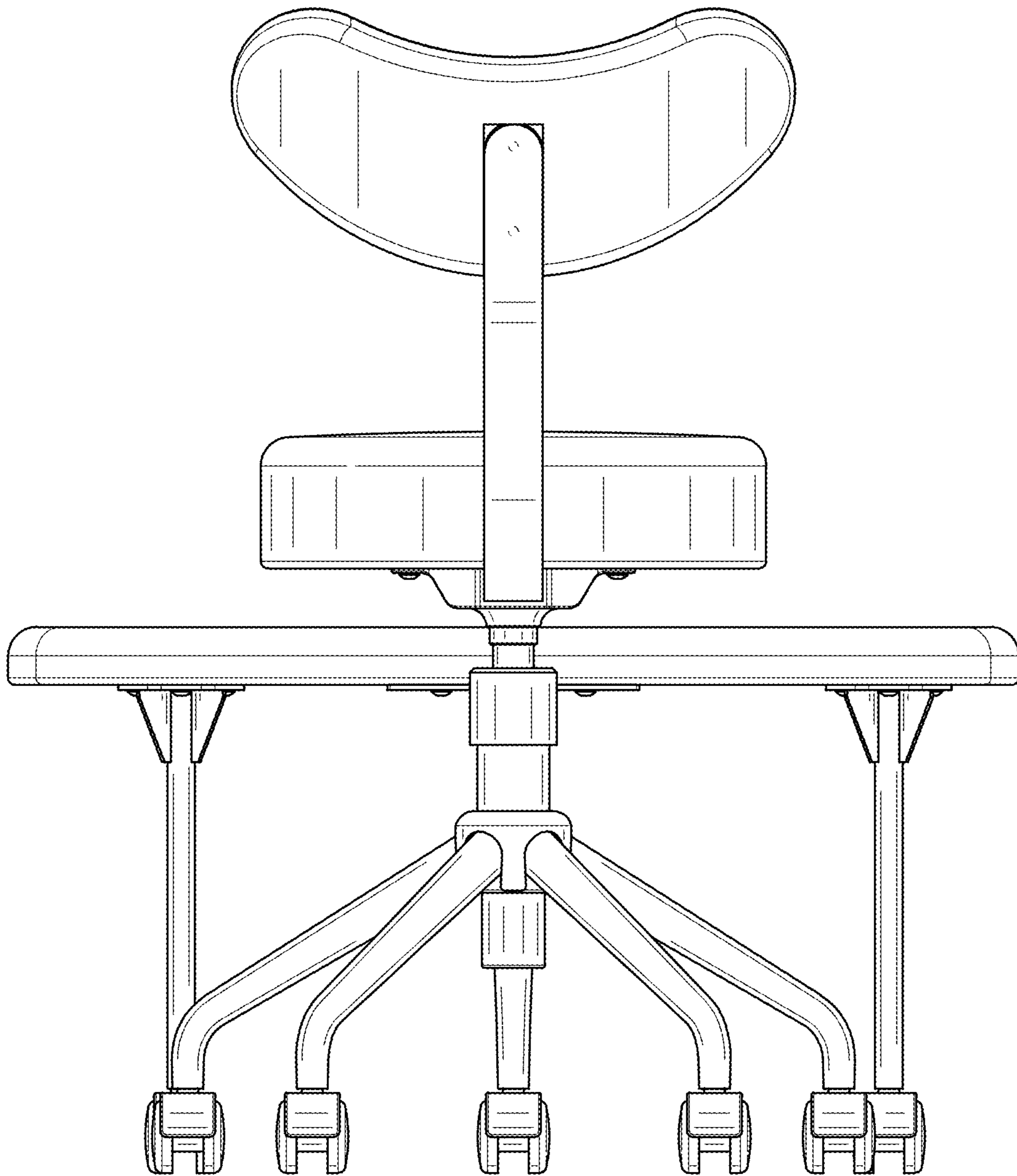


FIG.3

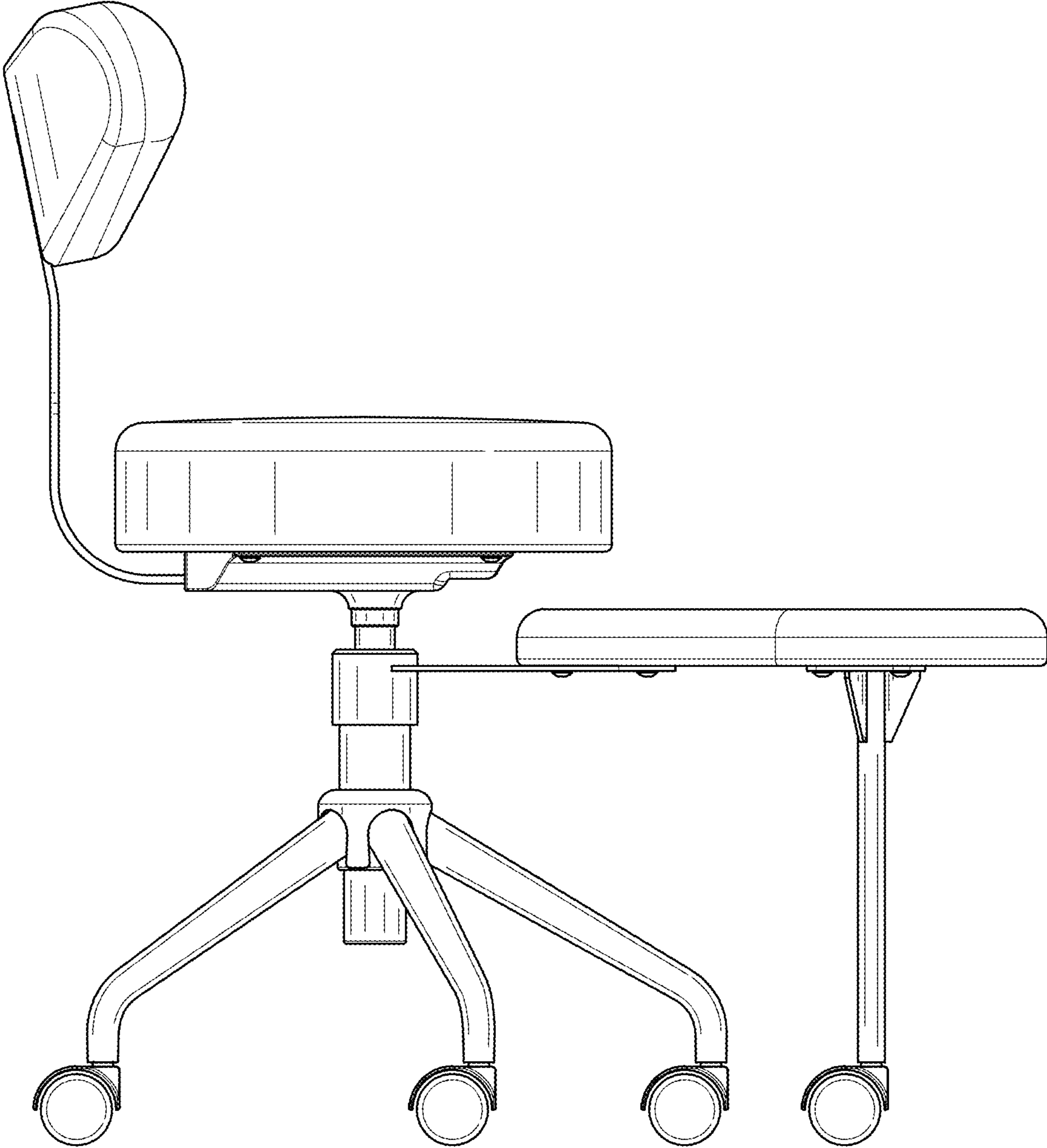


FIG.4

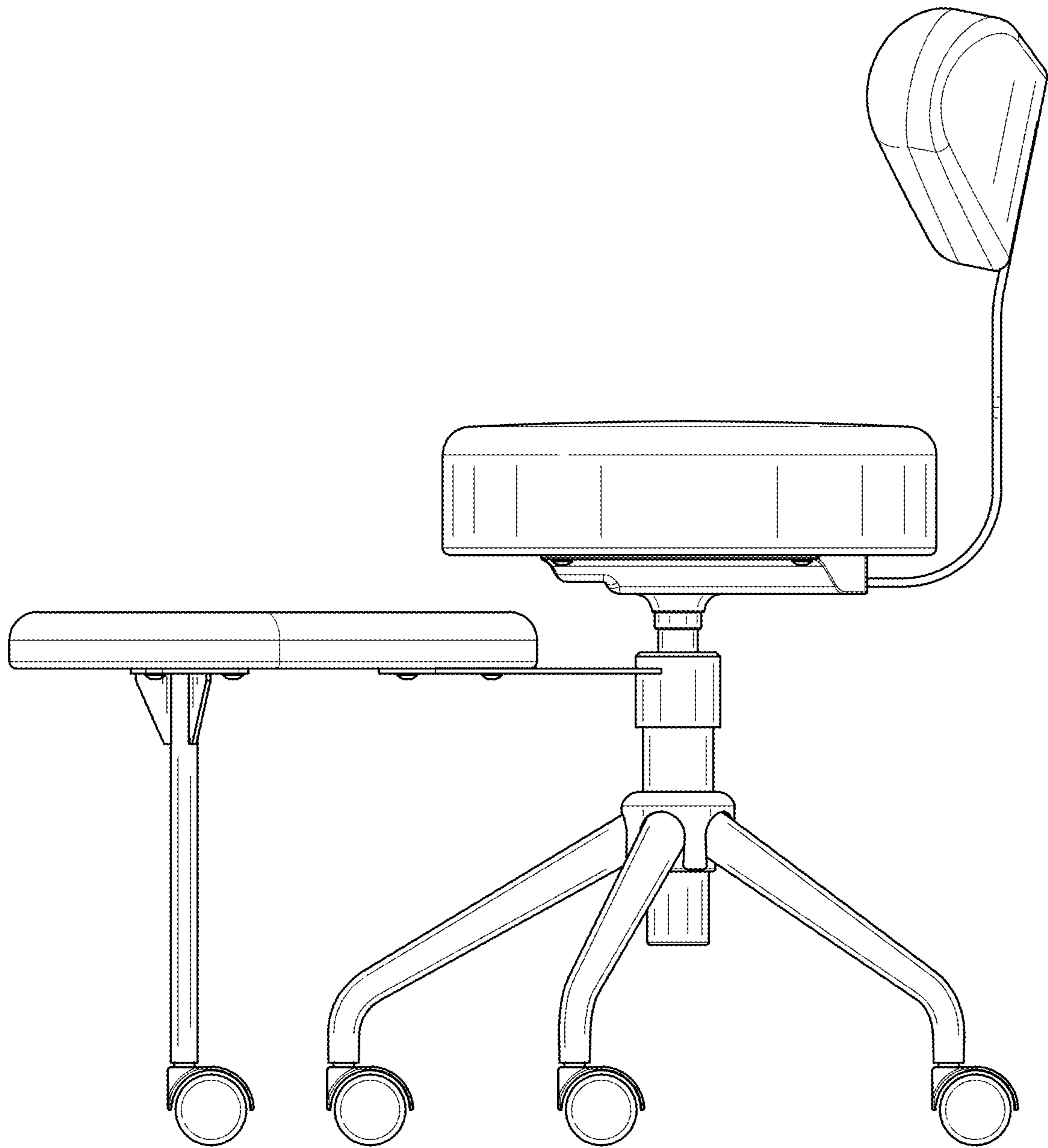


FIG.5

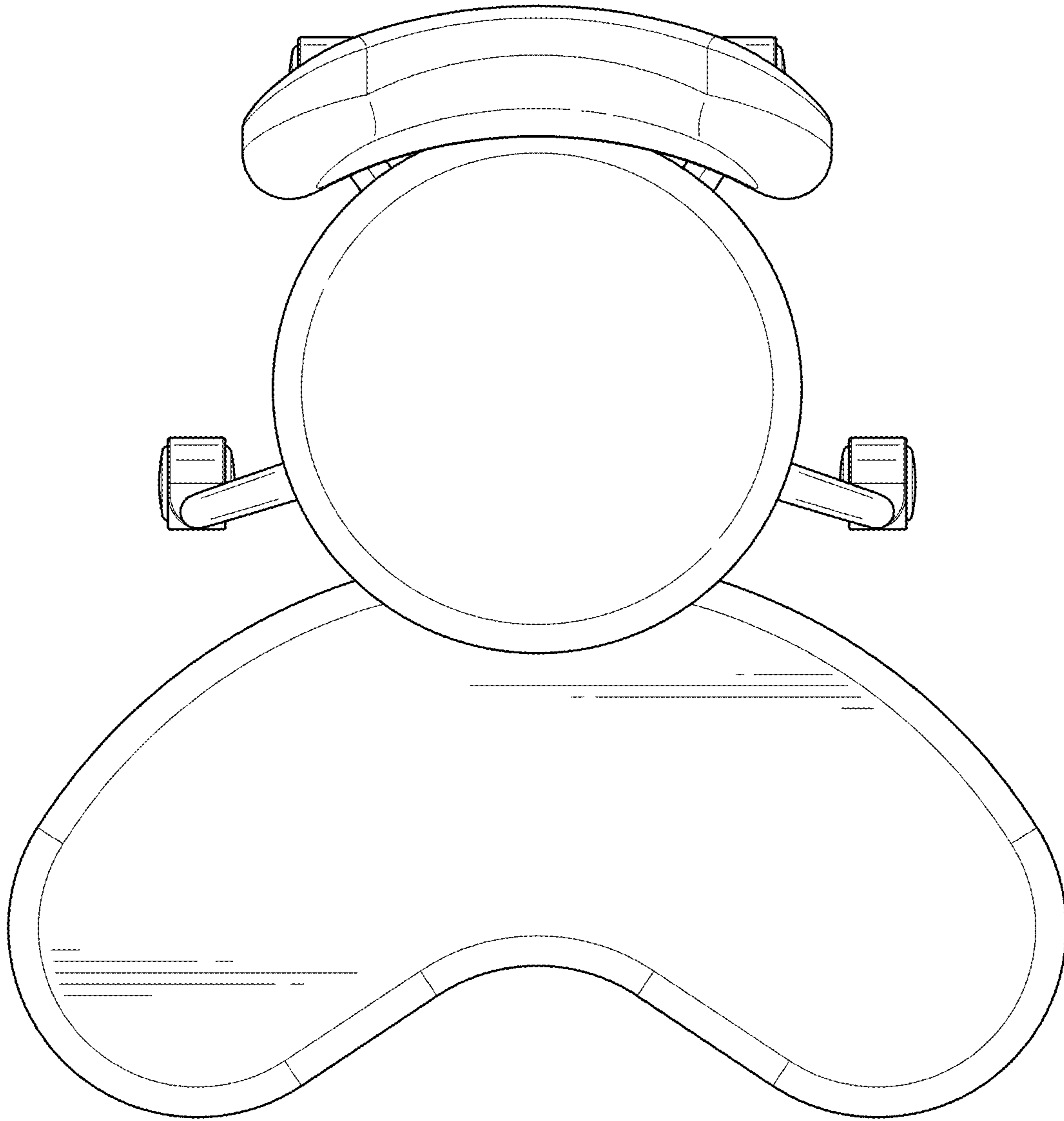


FIG.6

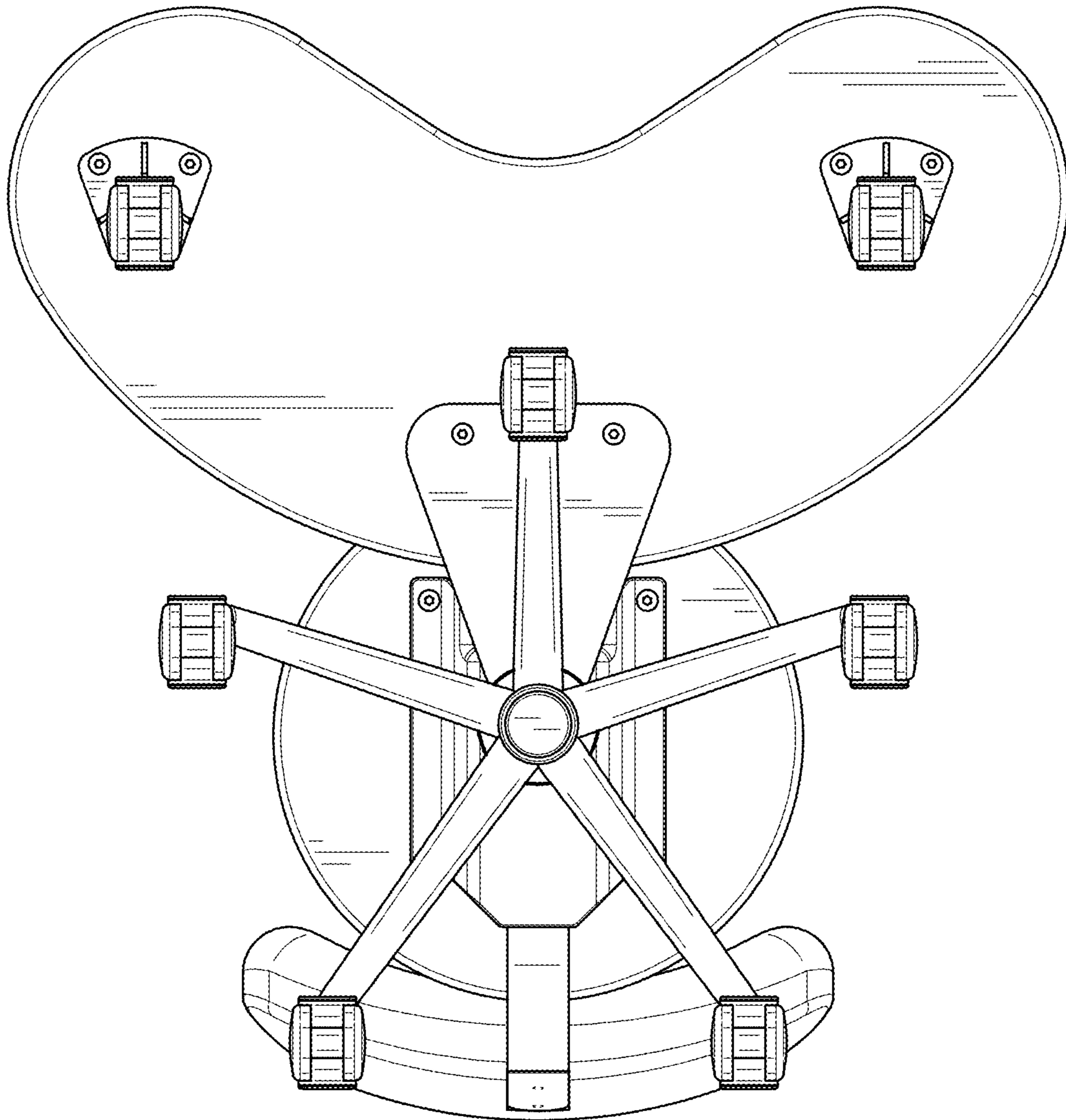


FIG.7