



US00D908372S

(12) **United States Design Patent**
Wang

(10) **Patent No.:** **US D908,372 S**
(45) **Date of Patent:** **** Jan. 26, 2021**

- (54) **PHOTO FRAME**
- (71) Applicant: **Bingyan Wang**, Guangdong (CN)
- (72) Inventor: **Bingyan Wang**, Guangdong (CN)
- (73) Assignee: **Shenzhen New Fruit Technology Co., Ltd.**, Shenzhen (CN)
- (**) Term: **15 Years**

D517,329 S	3/2006	Ortiz	
D527,192 S	8/2006	Schaefer et al.	
D529,300 S	10/2006	Schwind	
D529,724 S *	10/2006	Mohundro	D6/309
D532,980 S *	12/2006	Hutton	D6/300
D542,543 S *	5/2007	Bruce	D6/300
D552,357 S	10/2007	Fu	
D719,744 S *	12/2014	Plumbo	D6/300
D884,367 S	5/2020	Gao	
2008/0291345 A1 *	11/2008	Schneider	H01Q 1/241 348/836

- (21) Appl. No.: **29/738,712**
- (22) Filed: **Jun. 19, 2020**
- (51) **LOC (13) Cl.** **06-07**
- (52) **U.S. Cl.**
USPC **D6/300**
- (58) **Field of Classification Search**
USPC D6/300-314; D25/136
See application file for complete search history.

* cited by examiner

Primary Examiner — Deanna L Pratt

(57) **CLAIM**

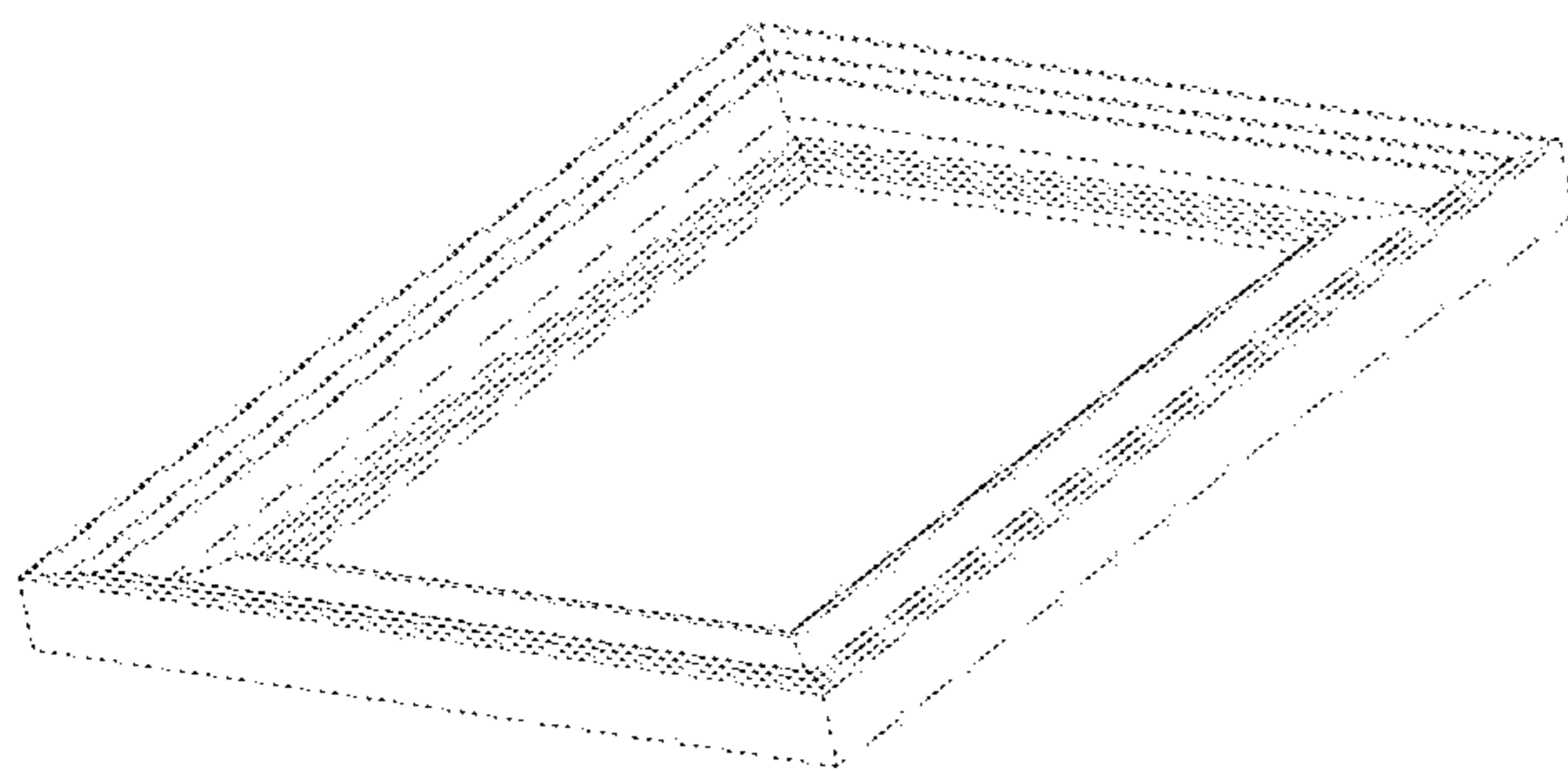
The ornamental design for a photo frame, as shown and described.

DESCRIPTION

FIG. 1 is a perspective view of a photo frame showing my new design;
 FIG. 2 is a front elevational view thereof;
 FIG. 3 is a rear elevational view thereof;
 FIG. 4 is a left side elevational view thereof;
 FIG. 5 is a right side elevational view thereof;
 FIG. 6 is a top plan view thereof;
 FIG. 7 is a bottom plan view thereof; and,
 FIG. 8 is a sectional view taken along line A-A in FIG. 2.

1 Claim, 5 Drawing Sheets

- (56) **References Cited**
U.S. PATENT DOCUMENTS
D172,278 S * 5/1954 Helms D6/300
2,735,205 A * 2/1956 Knox A47G 1/08
40/732
D358,037 S * 5/1995 Monroe D6/300
D480,221 S * 10/2003 Luciano D6/300



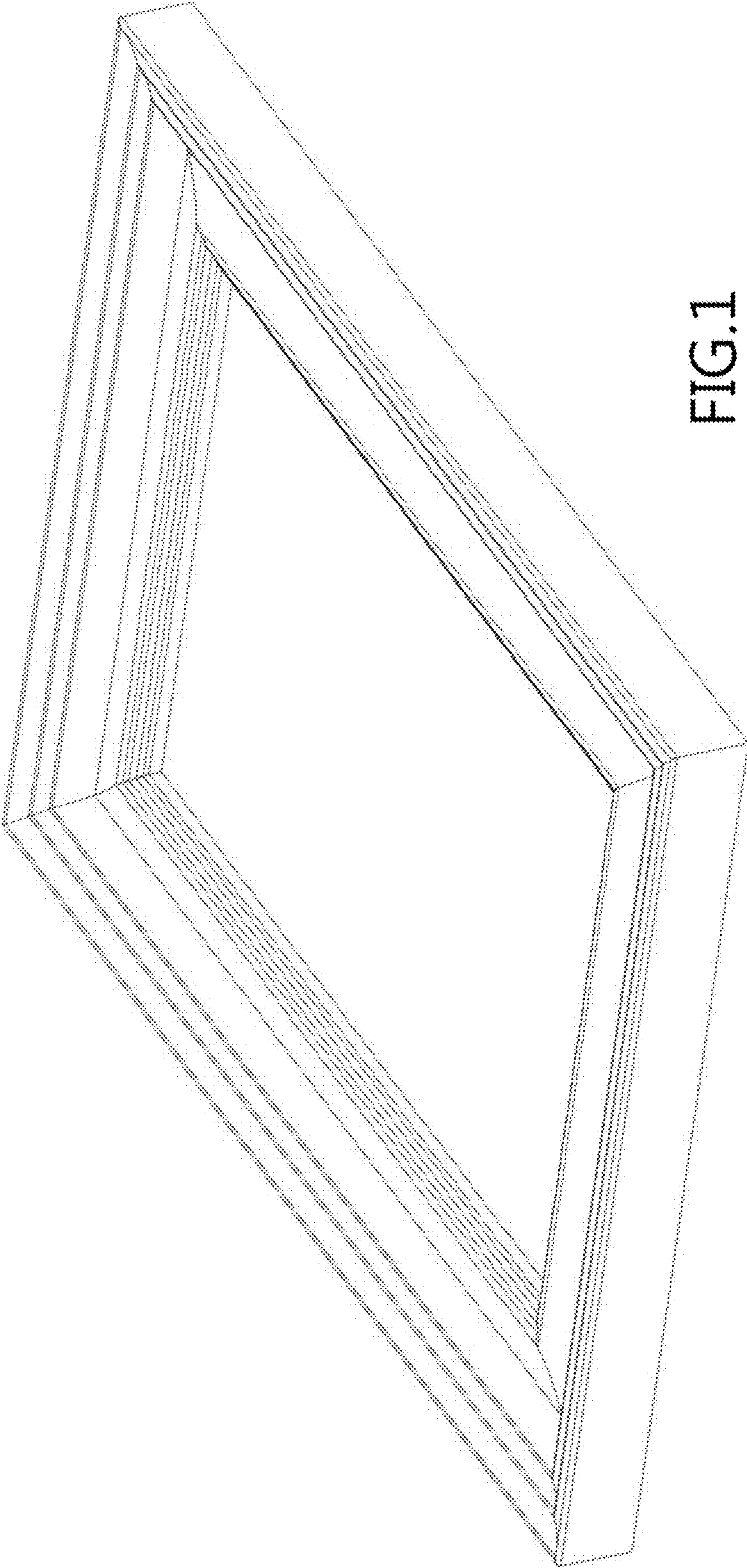


FIG.1

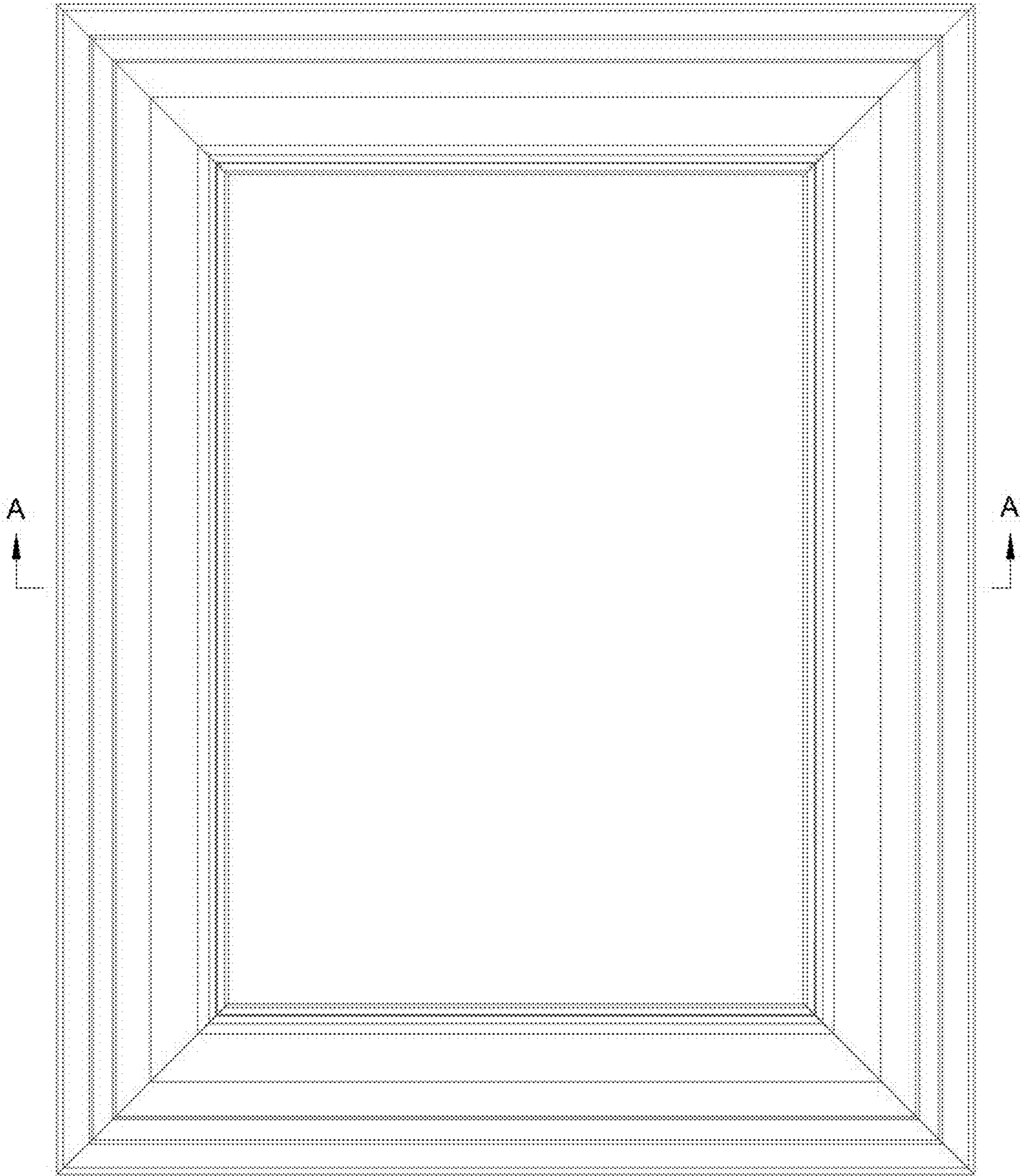


FIG.2

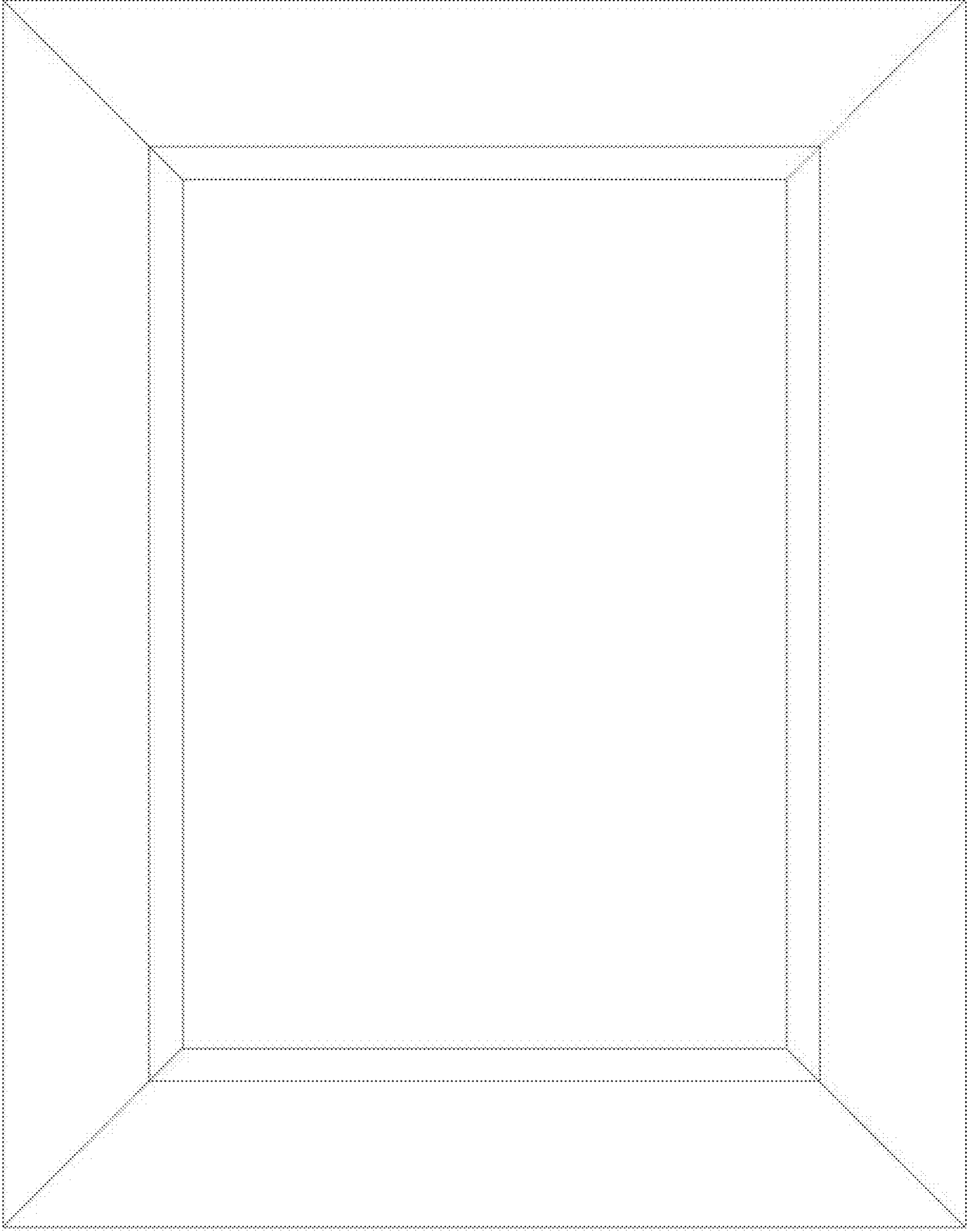


FIG.3

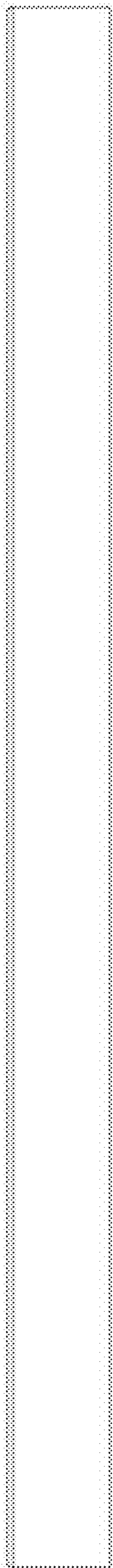


FIG. 4

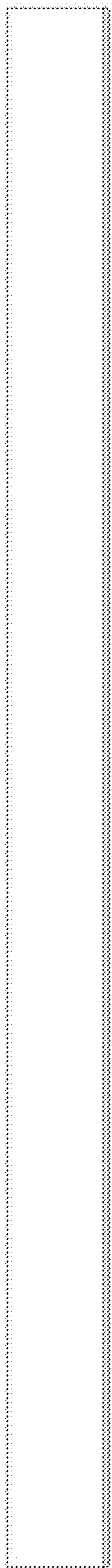


FIG. 5

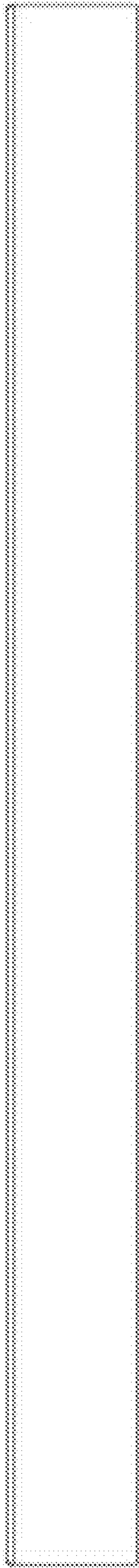


FIG. 6

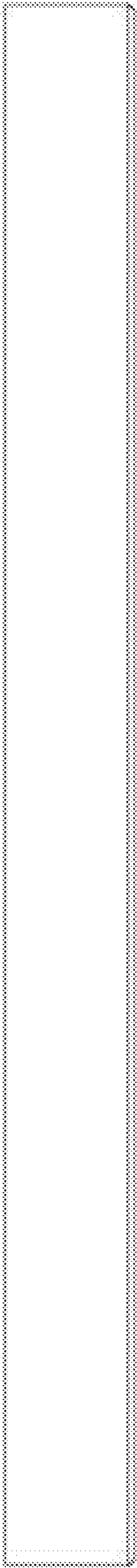


FIG. 7

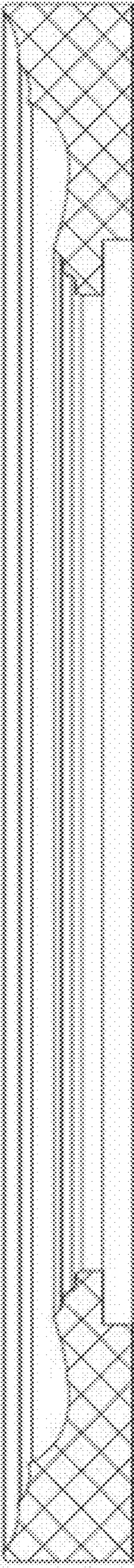


FIG. 8