



US00D908371S

(12) **United States Design Patent**
Wang

(10) **Patent No.:** **US D908,371 S**

(45) **Date of Patent:** **** Jan. 26, 2021**

- (54) **PHOTO FRAME**
- (71) Applicant: **Bingyan Wang**, Guangdong (CN)
- (72) Inventor: **Bingyan Wang**, Guangdong (CN)
- (73) Assignee: **Shenzhen New Fruit Technology Co., Ltd.**, Shenzhen (CN)
- (**) Term: **15 Years**
- (21) Appl. No.: **29/737,060**
- (22) Filed: **Jun. 5, 2020**
- (51) **LOC (13) Cl.** **06-07**
- (52) **U.S. Cl.**
USPC **D6/300**
- (58) **Field of Classification Search**
USPC D6/300-314; D25/136
See application file for complete search history.

- D542,543 S * 5/2007 Bruce D6/300
- D552,357 S 10/2007 Fu
- D559,553 S * 1/2008 Mischel, Jr. D6/300
- D587,466 S * 3/2009 Millilo D6/300
- D594,665 S * 6/2009 Millilo D6/300
- D629,215 S * 12/2010 Burkman A47F 7/144
D6/300
- D719,744 S * 12/2014 Plumbo D6/300
- D854,343 S * 7/2019 Altemimei D6/300
- D884,367 S 5/2020 Gao
- D901,192 S * 11/2020 Wang D6/308

* cited by examiner

Primary Examiner — Deanna L Pratt

(57) **CLAIM**

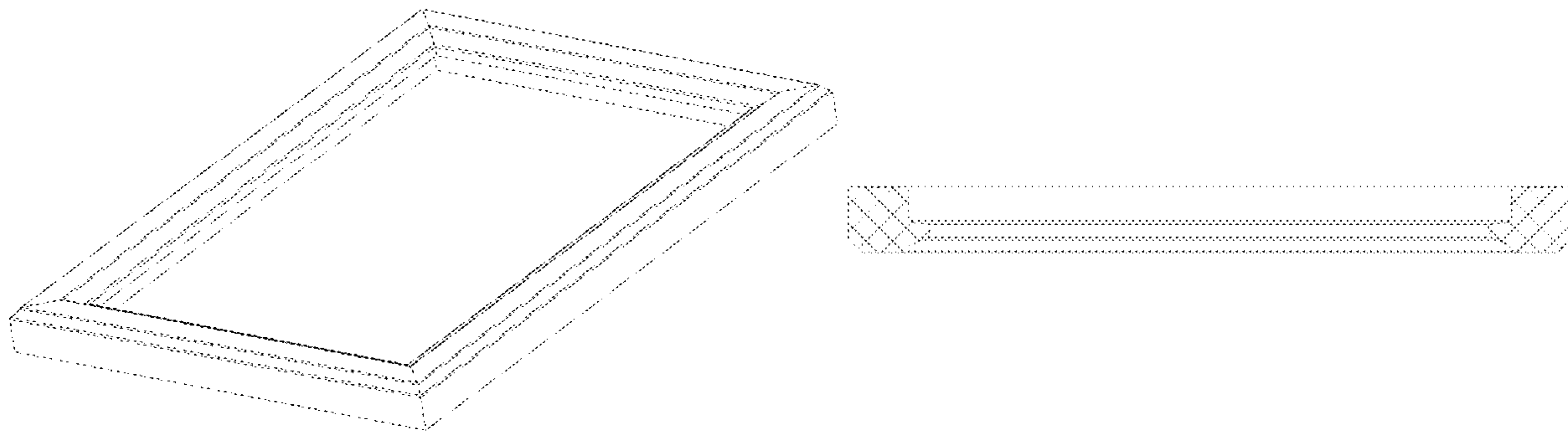
The ornamental design for a photo frame, as shown and described.

DESCRIPTION

FIG. 1 is a perspective view of a photo frame showing my new design;
 FIG. 2 is a front elevational view thereof;
 FIG. 3 is a rear elevational view thereof;
 FIG. 4 is a left side elevational view thereof;
 FIG. 5 is a right side elevational view thereof;
 FIG. 6 is a top plan view thereof;
 FIG. 7 is a bottom plan view thereof; and,
 FIG. 8 is a sectional view taken along line A-A in FIG. 2.

1 Claim, 5 Drawing Sheets

- (56) **References Cited**
U.S. PATENT DOCUMENTS
- D168,325 S * 12/1952 Abrams D6/300
- D480,221 S * 10/2003 Luciano D6/300
- D509,072 S * 9/2005 Babich D6/300
- D510,101 S * 9/2005 Bushey D19/1
- D517,329 S 3/2006 Ortiz
- D527,192 S 8/2006 Schaefer et al.
- D529,300 S 10/2006 Schwind
- D529,724 S * 10/2006 Mohundro D6/309
- D532,980 S * 12/2006 Hutton D6/300



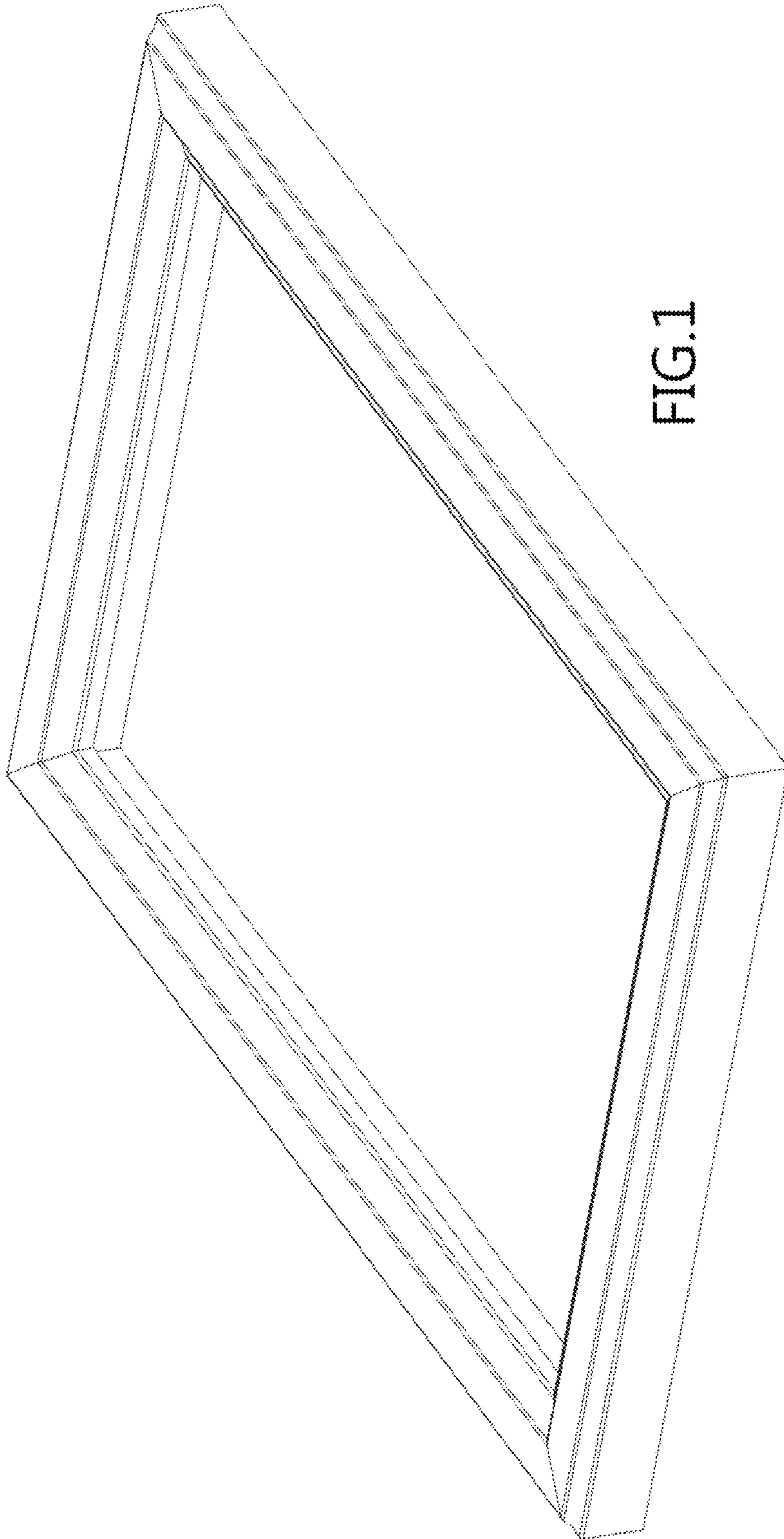


FIG. 1

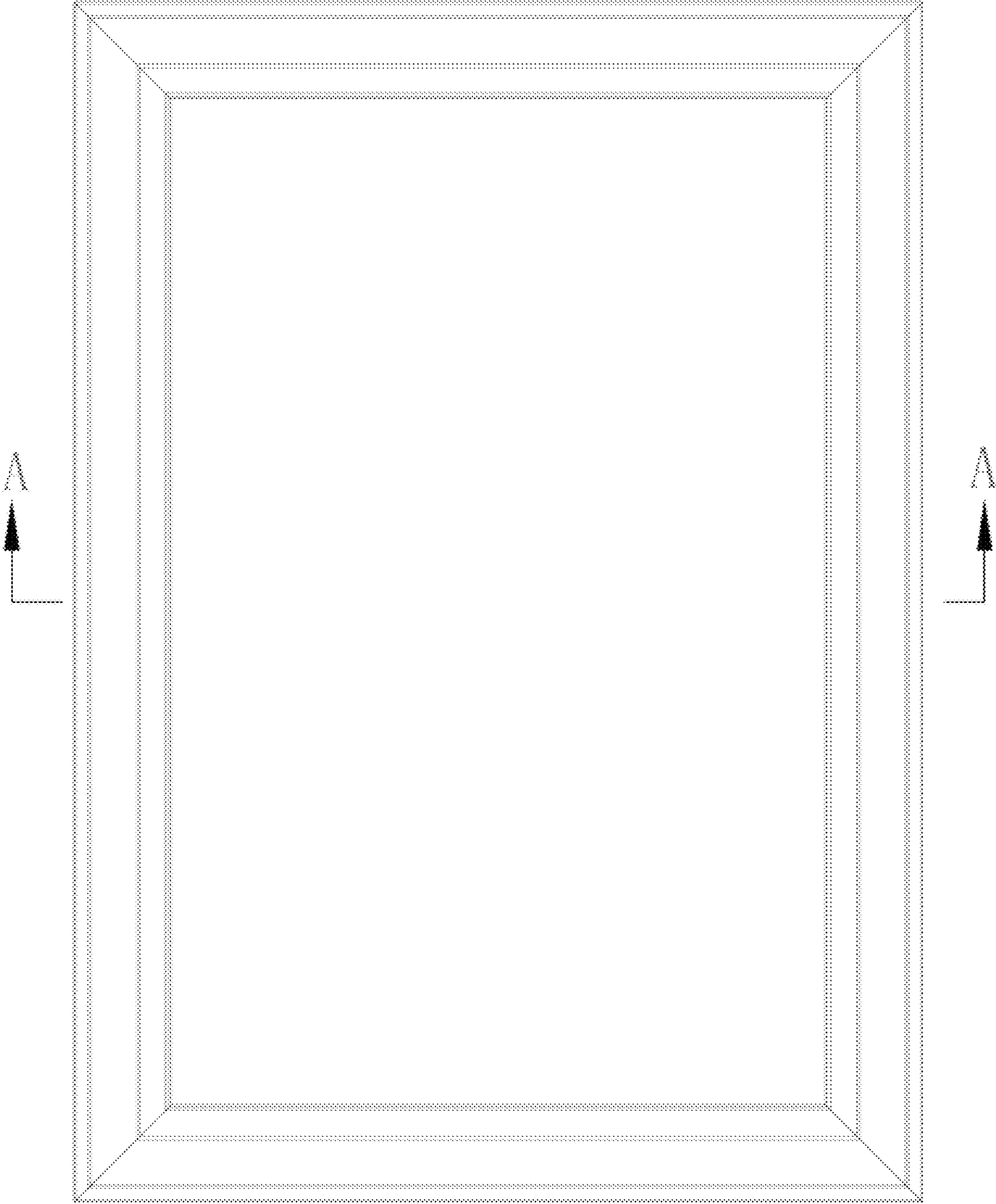


FIG.2

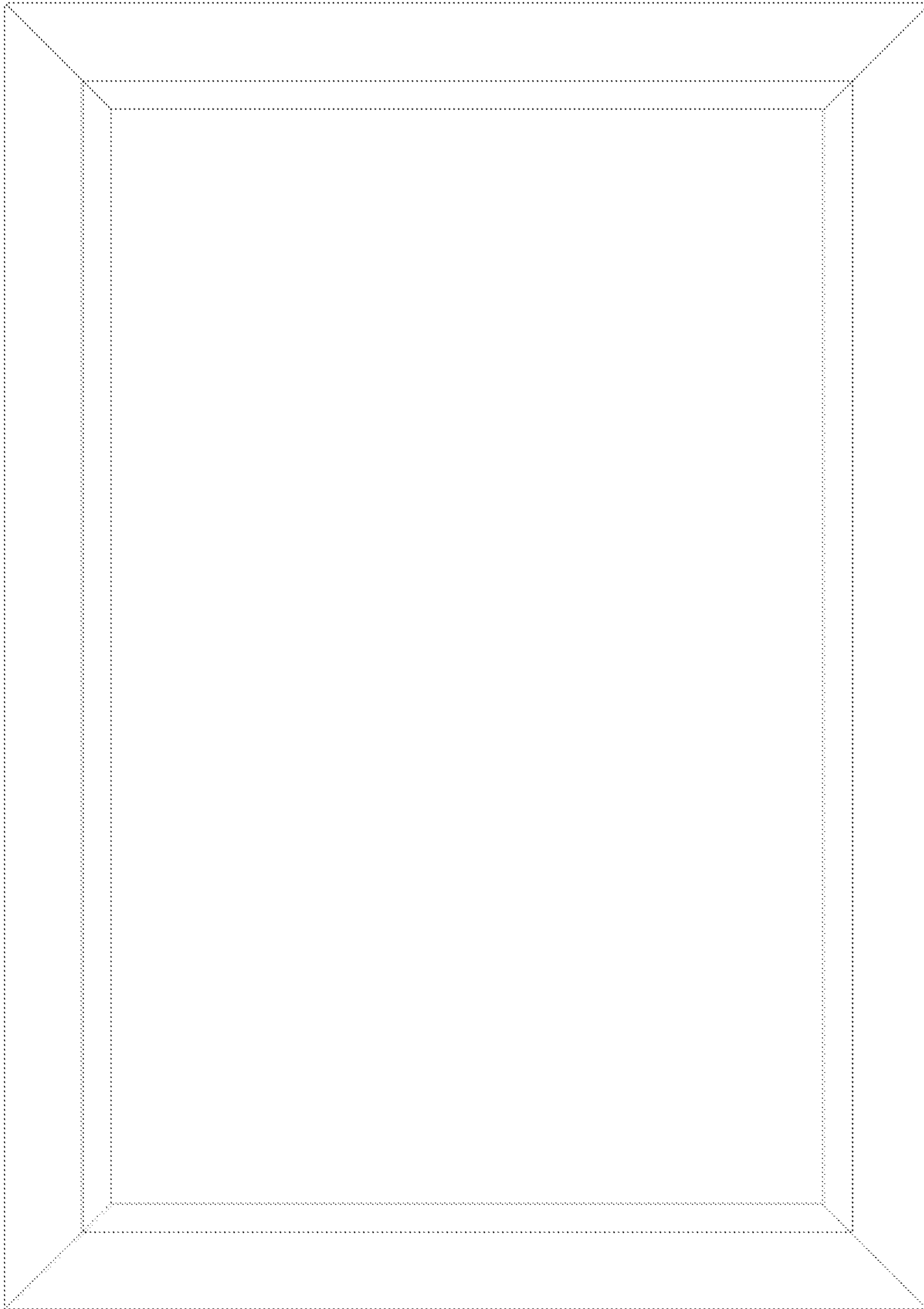


FIG.3

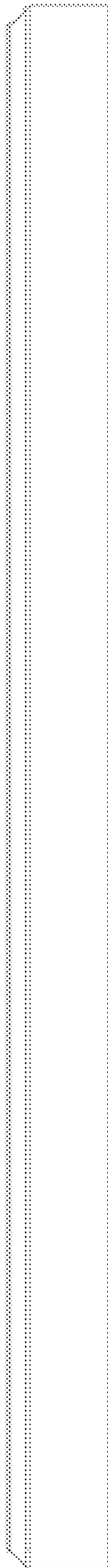


FIG.4

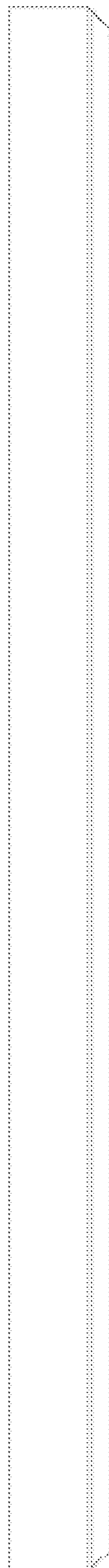


FIG.5

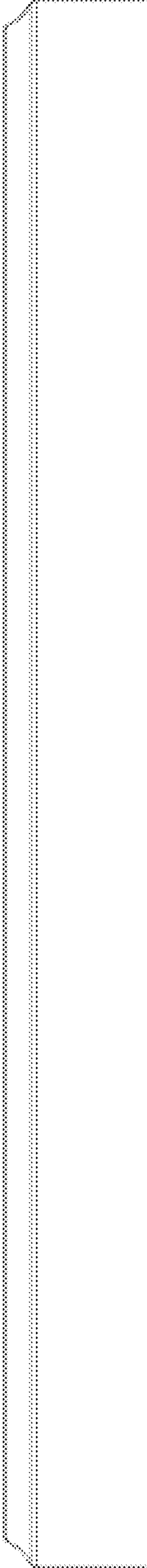


FIG. 6

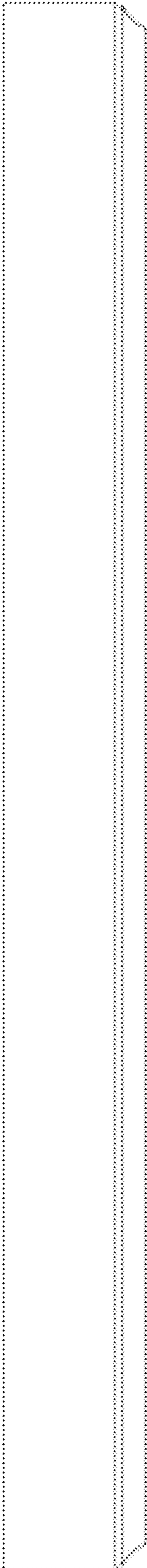


FIG. 7

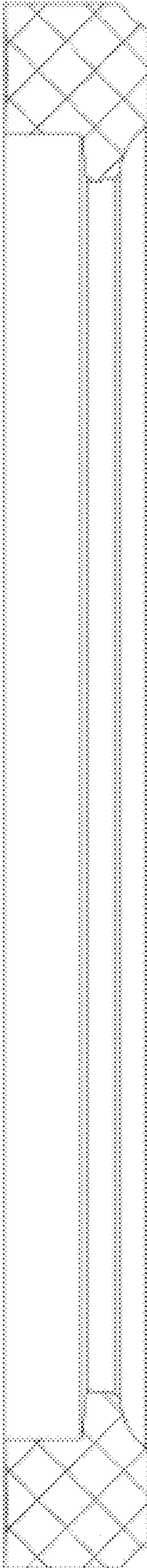


FIG. 8