



US00D908366S

(12) **United States Design Patent**
Hwang

(10) **Patent No.:** **US D908,366 S**
(45) **Date of Patent:** **** Jan. 26, 2021**

(54) **MASCARA BRUSH ROD**

(71) Applicant: **F.S.K.COLOR**, Seoul (KR)

(72) Inventor: **Jae Kwang Hwang**, Seoul (KR)

(73) Assignee: **F.S.K.COLOR**, Seoul (KR)

(**) Term: **15 Years**

(21) Appl. No.: **29/661,794**

(22) Filed: **Aug. 30, 2018**

(30) **Foreign Application Priority Data**

Mar. 27, 2018 (KR) 30-2018-0014411

(51) **LOC (13) Cl.** **04-02**

(52) **U.S. Cl.**
USPC **D4/138**

(58) **Field of Classification Search**
USPC D4/114, 115, 116, 118, 120, 121, 122,
D4/123, 124, 127, 128, 130, 131, 133,
D4/134, 135, 136, 137, 138, 199; D28/7,
D28/8, 76; 15/104.94, 106, 206, 207,
15/207.2; D7/401.2; 294/7; D32/51;
D9/436
CPC ... A46B 2200/1046; A46B 5/02; A46B 9/021;
A46B 2200/3006; A46B 2200/3012;
A46B 2200/3013; A46B 2200/108; A46B
2200/1053; A46B 2200/106; A45D 34/04;
A45D 40/265; A45D 40/24
See application file for complete search history.

(56) **References Cited**

U.S. PATENT DOCUMENTS

2,538,447 A * 1/1951 Finney A46B 7/023
401/127

D242,227 S * 11/1976 Donoghue D9/436

D296,672 S * 7/1988 Bouthillier D9/436

5,336,330 A * 8/1994 Shumway A47L 13/12
134/22.1

D363,374 S * 10/1995 Arntsen D28/76

6,349,443 B1 * 2/2002 Randolph A46B 9/02
15/106

D677,470 S * 3/2013 Floyd D4/127

8,434,955 B2 * 5/2013 Rauschert A45D 40/24
401/18

8,998,521 B2 * 4/2015 Weigel A45D 40/265
401/126

9,185,960 B2 * 11/2015 Park A45D 29/18

9,320,339 B2 * 4/2016 Corbellini A45D 40/265

D758,852 S * 6/2016 Schuette D9/436

D823,110 S * 7/2018 Koe D9/436

10,051,942 B2 * 8/2018 Golding A46B 9/021

D844,998 S * 4/2019 Wiener D4/114

10,244,845 B2 * 4/2019 Chen A45D 34/043

2011/0020046 A1 * 1/2011 Dumler A45D 40/24
401/17

2016/0367012 A1 * 12/2016 Burger A45D 40/26

2018/0279740 A1 * 10/2018 Kukreja A45D 29/00

* cited by examiner

Primary Examiner — Karen E Eldridge Powers
(74) *Attorney, Agent, or Firm* — Heedong Chae; Lucem, PC

(57) **CLAIM**

The ornamental design for a mascara brush rod, as shown and described.

DESCRIPTION

FIG. 1 is a perspective view of the mascara brush rod showing my new design;
FIG. 2 is a front elevational view thereof;
FIG. 3 is a rear elevational view thereof;
FIG. 4 is a left side view thereof;
FIG. 5 is a right side view thereof;
FIG. 6 is a top plan view thereof; and,
FIG. 7 is a bottom plan view thereof.

1 Claim, 4 Drawing Sheets

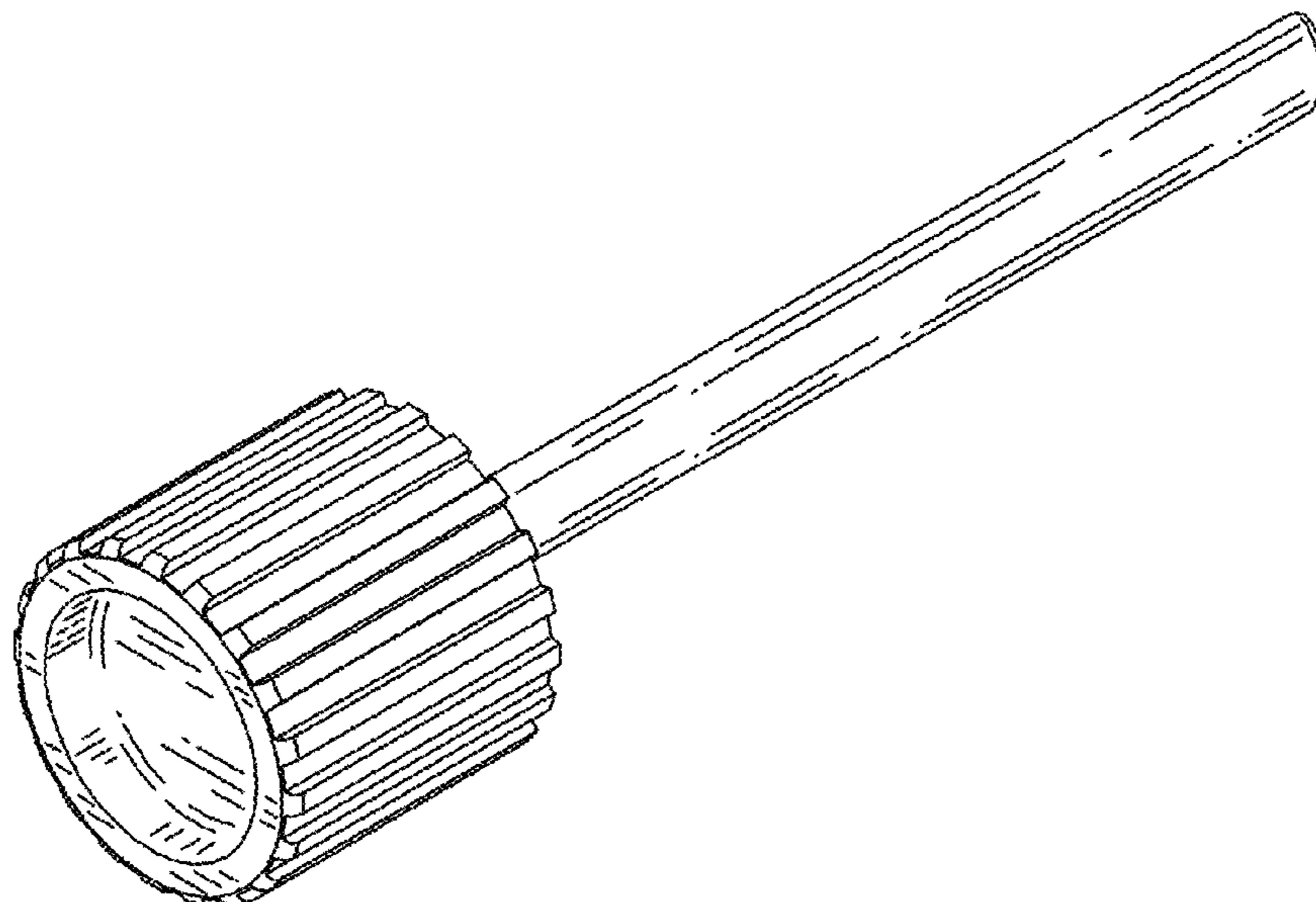


Fig. 1

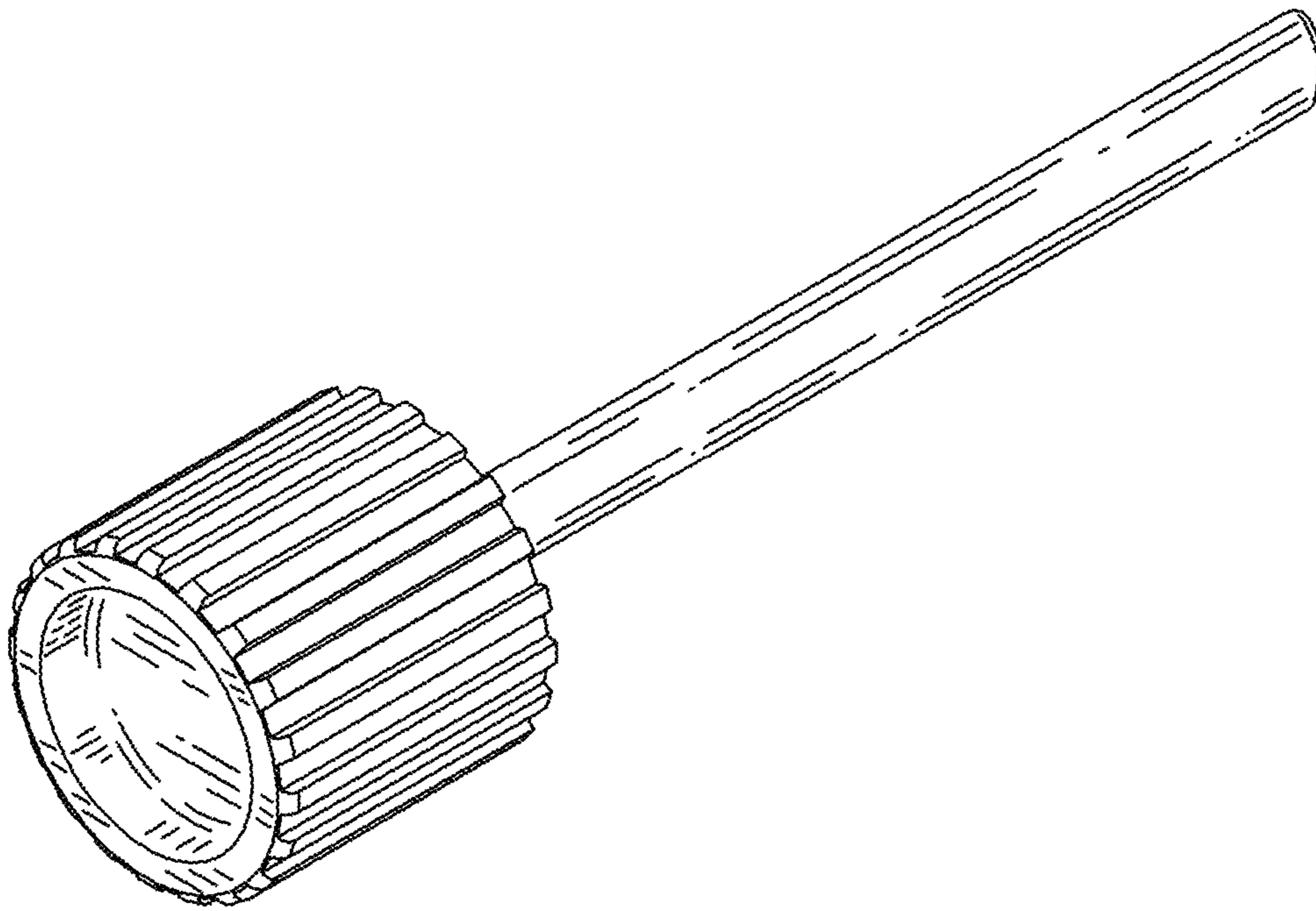


Fig. 2

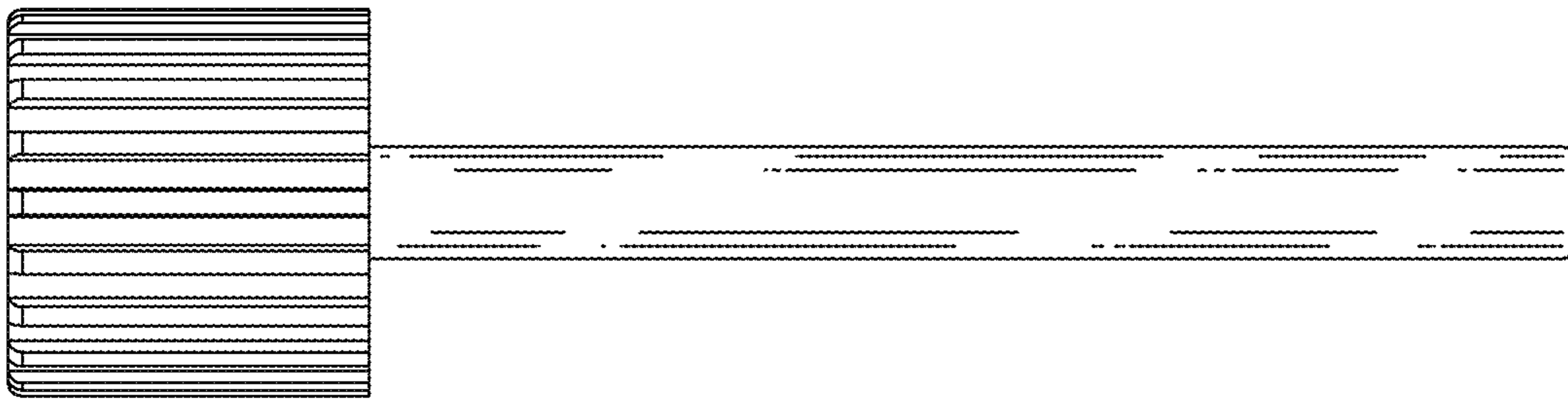


Fig. 3

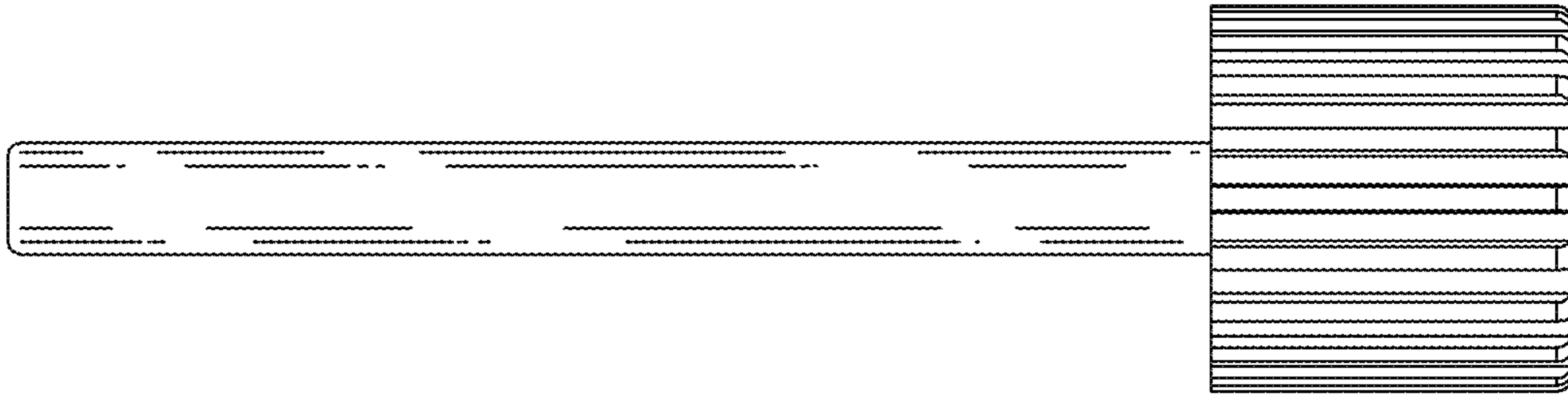


Fig. 4

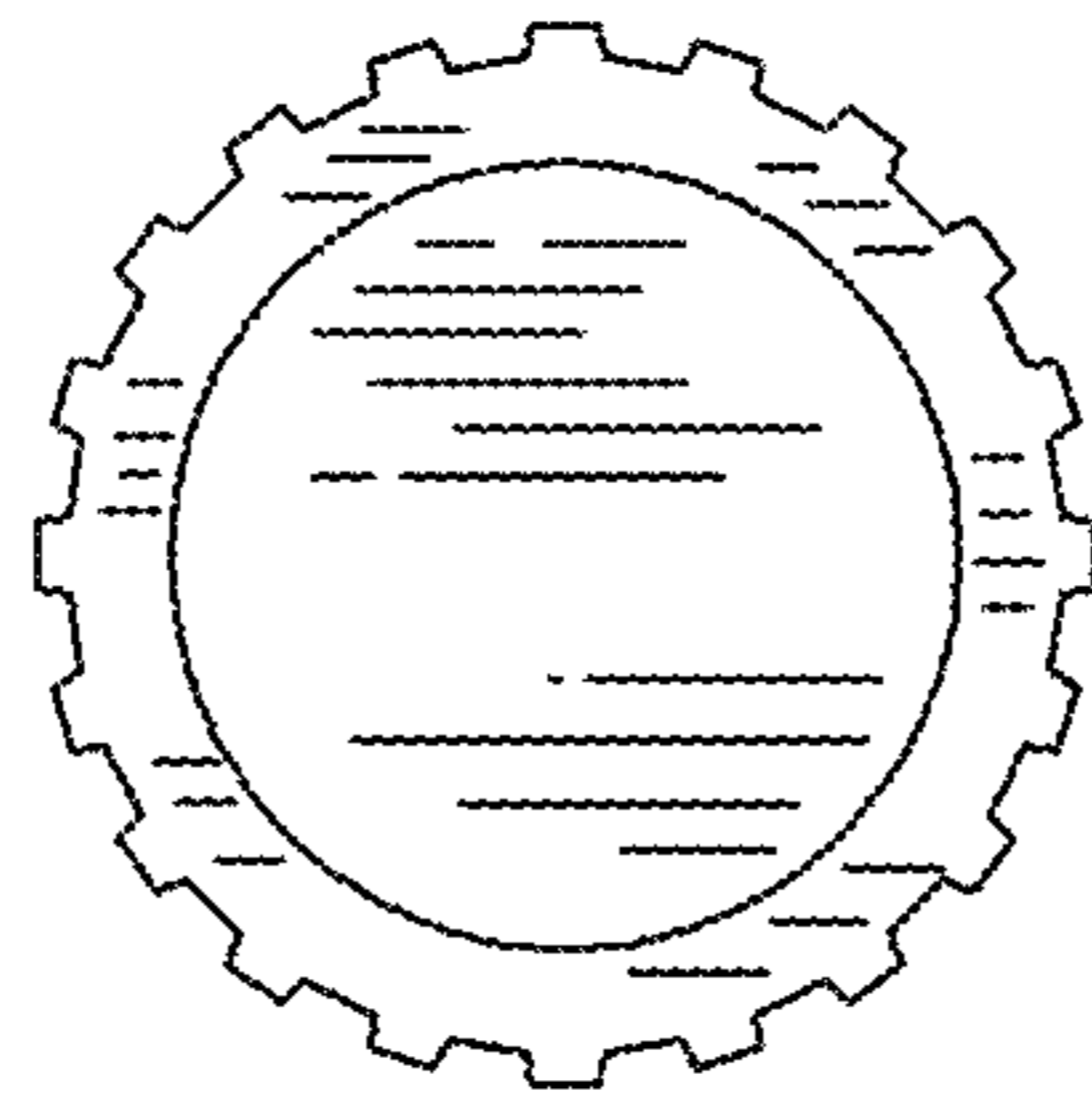


Fig. 5

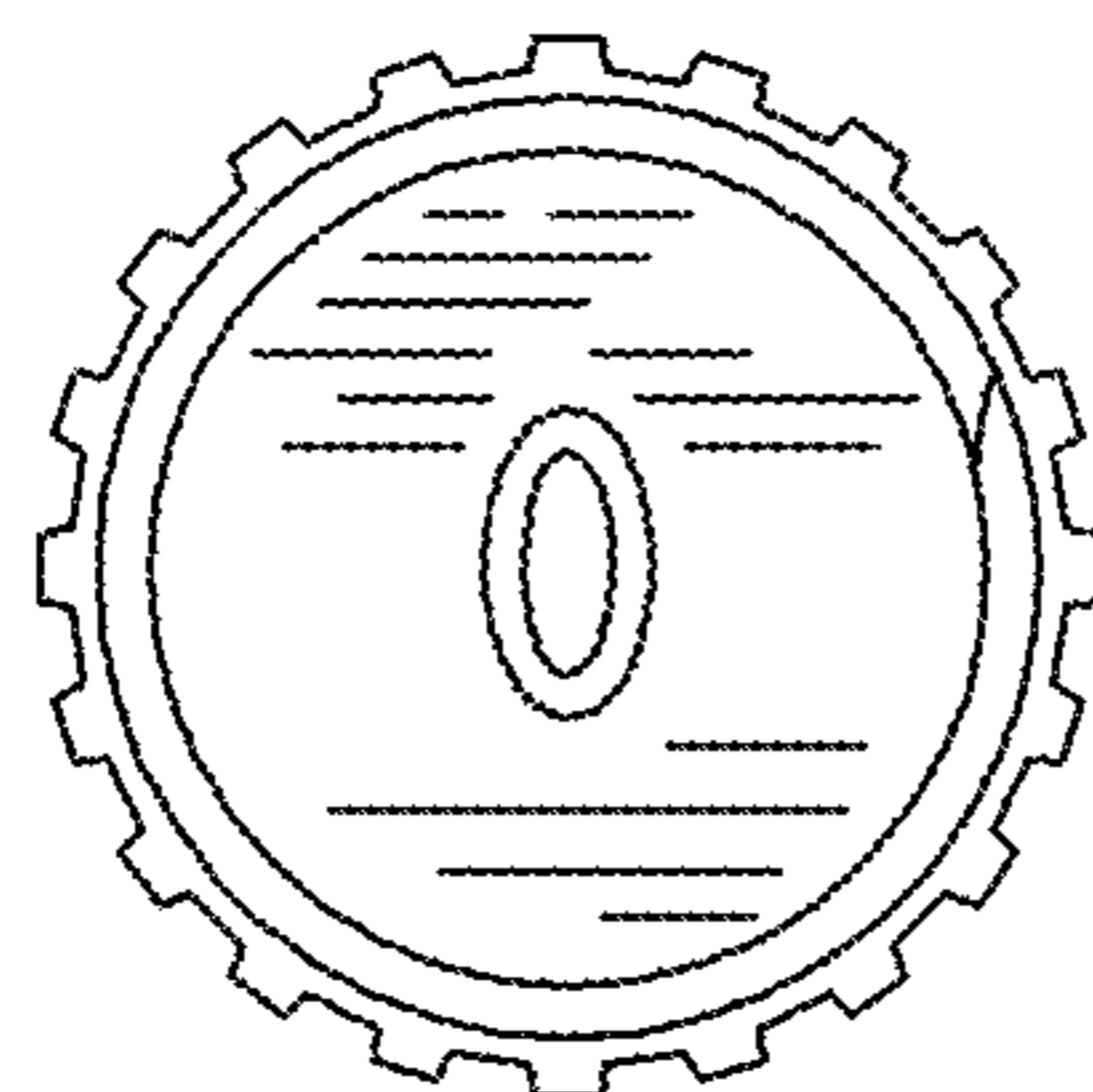


Fig. 6

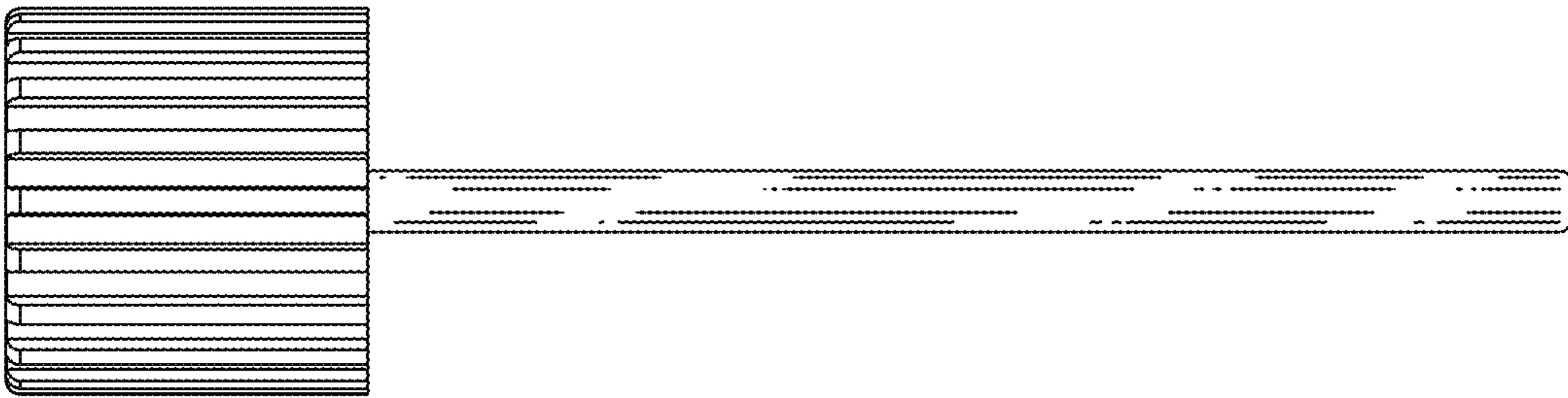


Fig. 7

