



US00D908365S

(12) **United States Design Patent**
Liang

(10) **Patent No.:** **US D908,365 S**
(45) **Date of Patent:** **** Jan. 26, 2021**

- (54) **POWER SCRUBBER**
- (71) Applicant: **ZHONGSHAN SUNPOWER SMART HOME ELECTRICAL COMPANY LIMITED**, Zhongshan (CN)
- (72) Inventor: **Jinran Liang**, Zhongshan (CN)
- (73) Assignee: **ZHONGSHAN SUNPOWER SMART HOME ELECTRICAL COMPANY LIMITED**, Zhongshan (CN)
- (**) Term: **15 Years**
- (21) Appl. No.: **29/744,749**
- (22) Filed: **Jul. 31, 2020**
- (51) **LOC (13) Cl.** **04-01**
- (52) **U.S. Cl.**
USPC **D4/115; D32/19**
- (58) **Field of Classification Search**
USPC D4/100, 109, 110, 111, 114, 115, 119, D4/121, 132, 199, 102, 127, 128, 129, D4/135, 138; D23/223; D32/17, 20, 40, D32/44, 45, 51, 18, 19, 21, 22, 23, 24, D32/25, 31, 32, 33, 34
CPC A63B 5/00; A63B 5/02; A63B 5/0033; A63B 11/00; A63B 11/0006; A63B 11/0013; A63B 11/06; A63B 2200/10; A63B 2200/20; A63B 2200/30; A63B 2200/3086; A47L 11/202
See application file for complete search history.

- D480,217 S * 10/2003 Mink A46B 9/021 D4/127
- D482,533 S * 11/2003 Medina D4/115
- D501,971 S * 2/2005 Treacy D32/51
- D513,101 S * 12/2005 Allard D32/32
- 6,984,901 B2 * 1/2006 Wong A46B 13/008 15/320
- D543,362 S 5/2007 Hall
(Continued)

OTHER PUBLICATIONS

Homitt Electric Spin Scrubber Review (on-line), reviewed Apr. 7, 2019. Retrieved from Internet Oct. 20, 2020, URL: <https://www.smartstartersmartest.com/homitt-electric-spin-scrubber-review-ht-ss01-model/> (4 pages) (Year: 2019).*

(Continued)

Primary Examiner — Kimberly Barnes

(57) **CLAIM**

The ornamental design for a power scrubber, as shown and described.

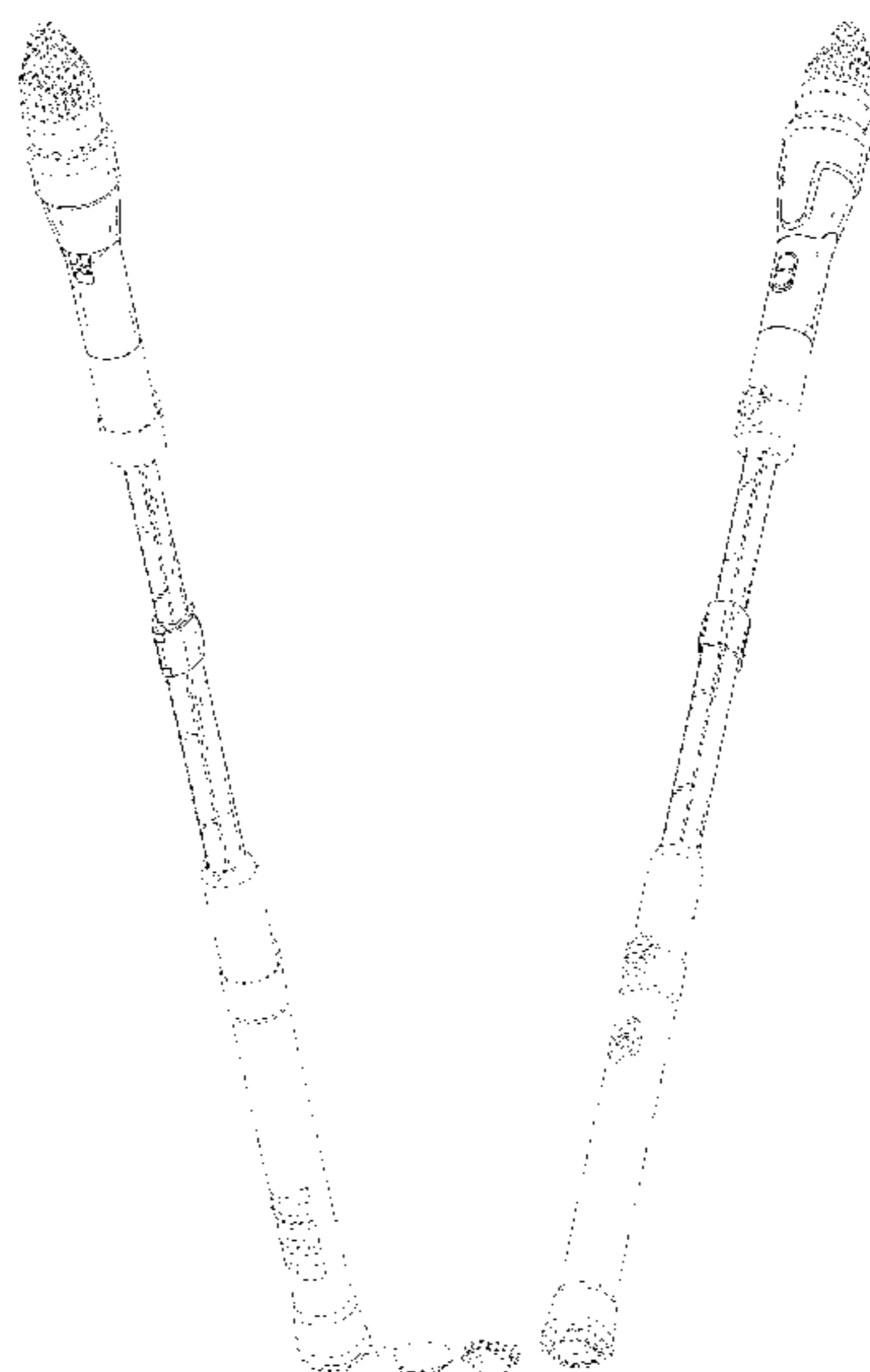
DESCRIPTION

FIG. 1 is a perspective view of a power scrubber showing my new design;
 FIG. 2 is another perspective view thereof;
 FIG. 3 is a front elevational view thereof;
 FIG. 4 is a rear elevational view thereof;
 FIG. 5 is a left side elevational view thereof;
 FIG. 6 is a right side elevational view thereof;
 FIG. 7 is a top plan view thereof;
 FIG. 8 is a bottom plan view thereof;
 FIG. 9 is an enlarged top plan elevational view of the power scrubber; and,
 FIG. 10 is an enlarged bottom plan elevational view of the power scrubber.
 The broken lines in the drawings depict portions of the power scrubber that form no part of the claimed design.

1 Claim, 10 Drawing Sheets

(56) **References Cited**
U.S. PATENT DOCUMENTS

- D291,113 S * 7/1987 Bauer D23/226
- D317,678 S * 6/1991 Butcher D32/22
- D331,499 S * 12/1992 Tsai D4/115
- 5,511,269 A * 4/1996 Watson A46B 5/0033 15/22.1
- D418,641 S * 1/2000 Yuen D32/17
- D454,001 S * 3/2002 Mink D4/127



(56)

References Cited

U.S. PATENT DOCUMENTS

D611,665 S * 3/2010 Braithwaite D32/22
7,971,310 B2 * 7/2011 Metaxatos A46B 3/18
15/105
D659,923 S * 5/2012 Dyson D32/33
D723,228 S * 2/2015 Luglan D32/18
D744,757 S * 12/2015 Schouten D4/115
D771,956 S * 11/2016 Hauger D4/114
D774,310 S * 12/2016 Hauger D4/114
D796,133 S * 8/2017 Larouche D32/31
D825,190 S * 8/2018 Hu D4/102
D836,918 S * 1/2019 Exley D4/127
D853,670 S * 7/2019 Hu D32/40
2006/0248666 A1 * 11/2006 Lies A46B 7/04
15/23
2007/0240269 A1 * 10/2007 Wilson E03D 9/00
15/106
2012/0103373 A1 * 5/2012 Grobler B60S 3/047
134/123
2015/0342336 A1 * 12/2015 Martin A46B 11/06
401/275

OTHER PUBLICATIONS

Electric Spin Scrubber Upgraded Power Scrubber (on-line), no date available. Retrieved from Internet Oct. 19, 2020, URL: <https://www.amazon.com/dp/B07Z4ZZRDQ/?tag=rsw0025-20&th=1> (3 pages).*

Scrubway Cordless Power Scrubber Pro Reviews (on-line), no date available. Retrieved from Internet Oct. 19, 2020, URL: <https://loox.io/i/Ekx7luQ7IK> (2 pages).*

* cited by examiner

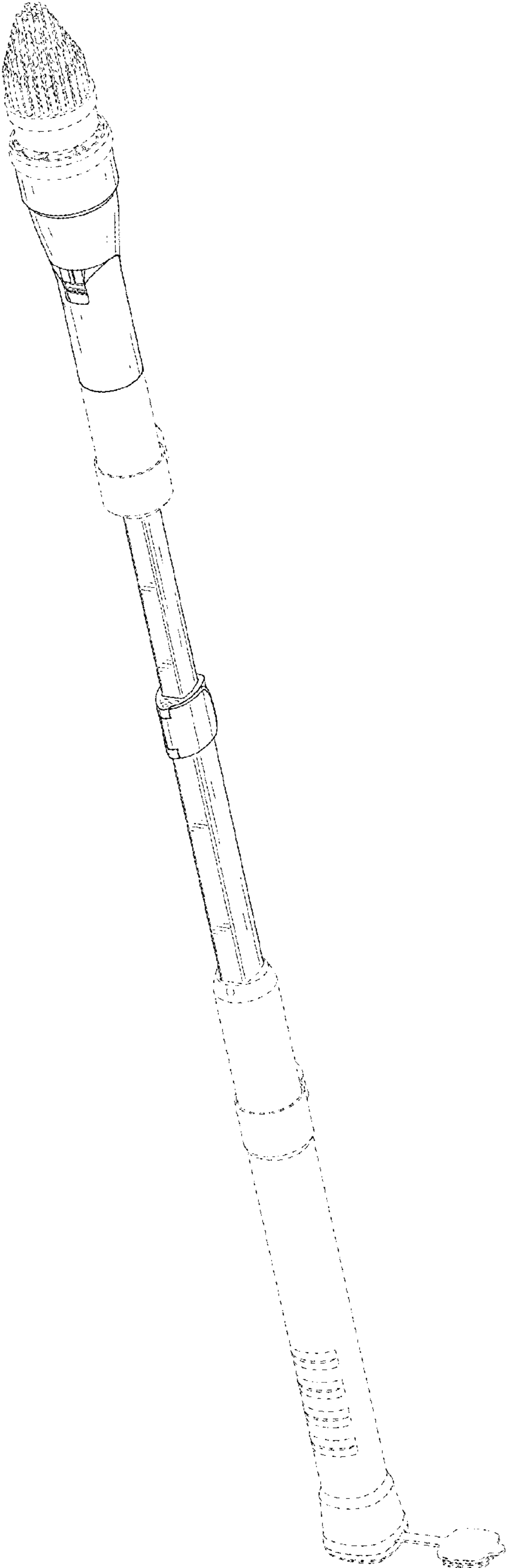


FIG. 1

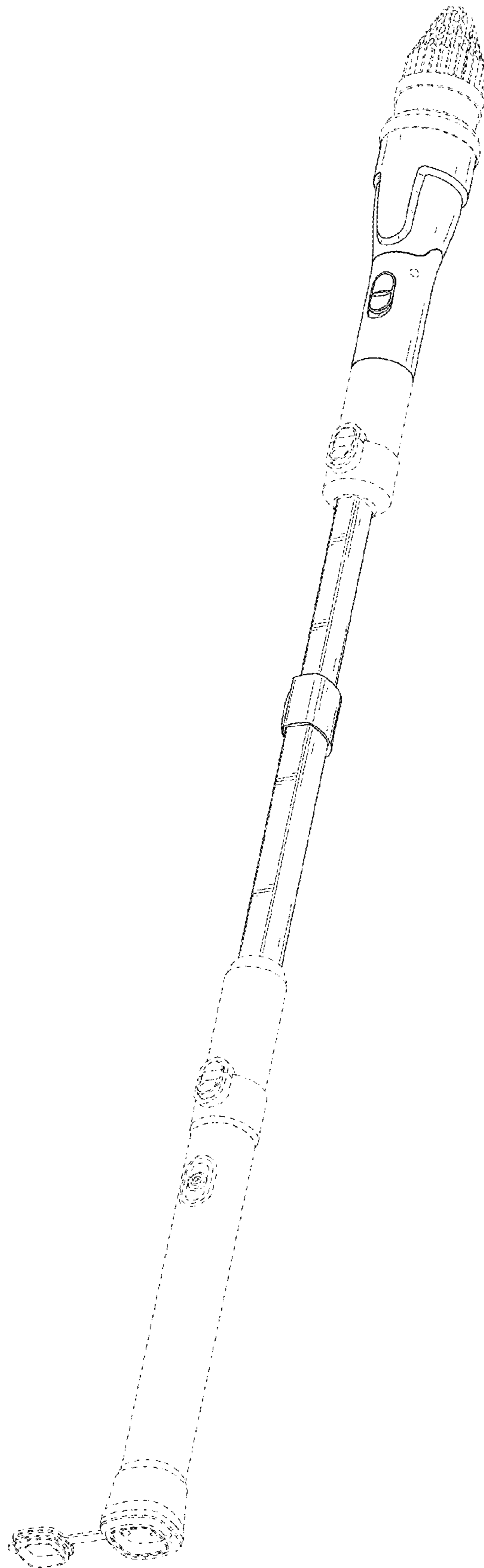


FIG. 2

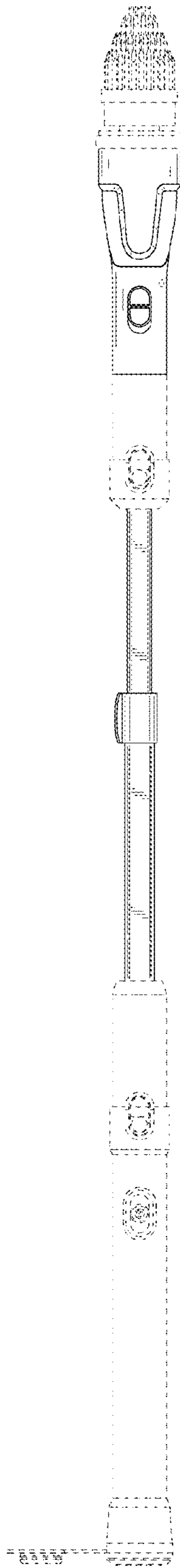


FIG. 3

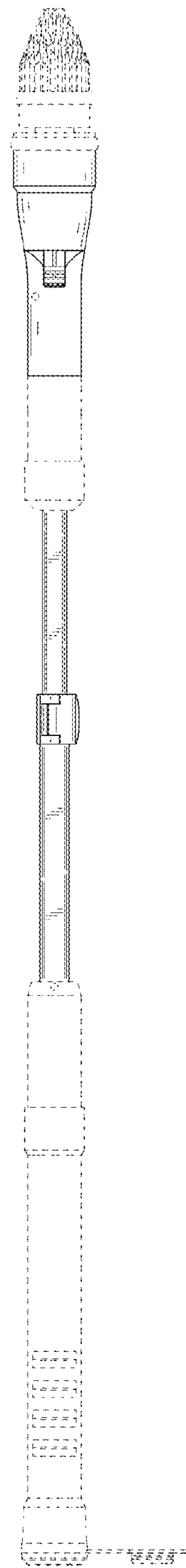


FIG. 4

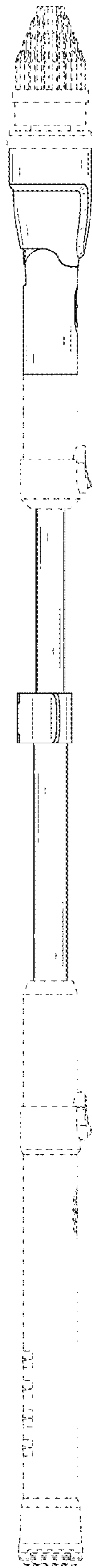


FIG. 5

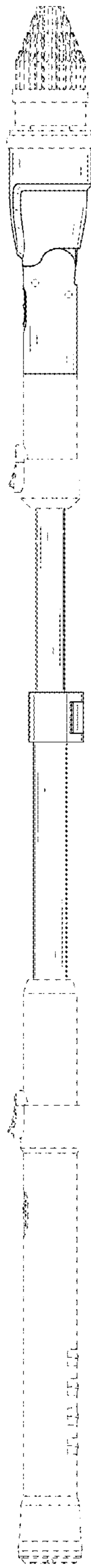


FIG. 6

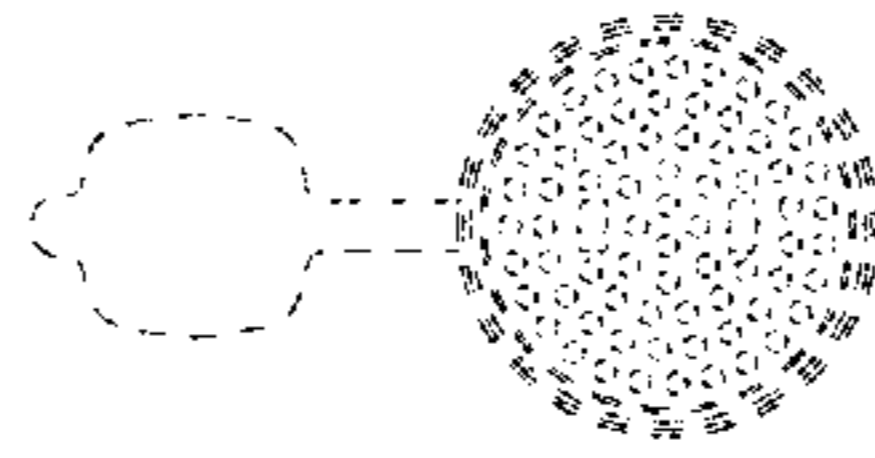


FIG. 7

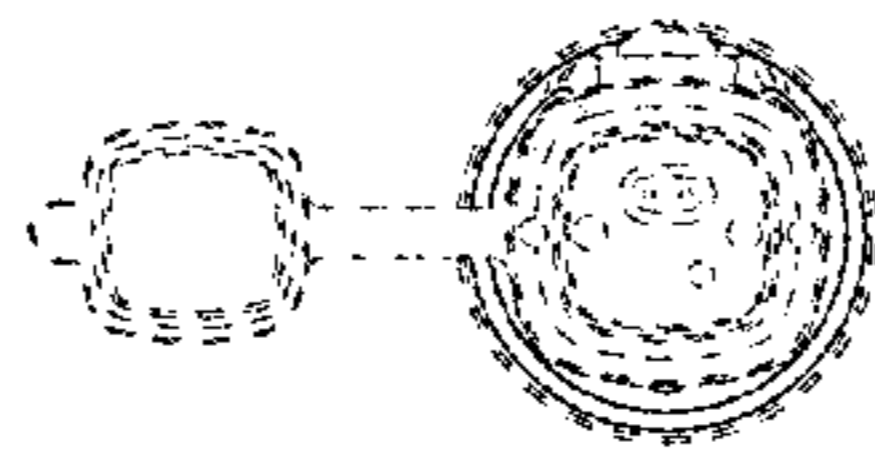


FIG. 8

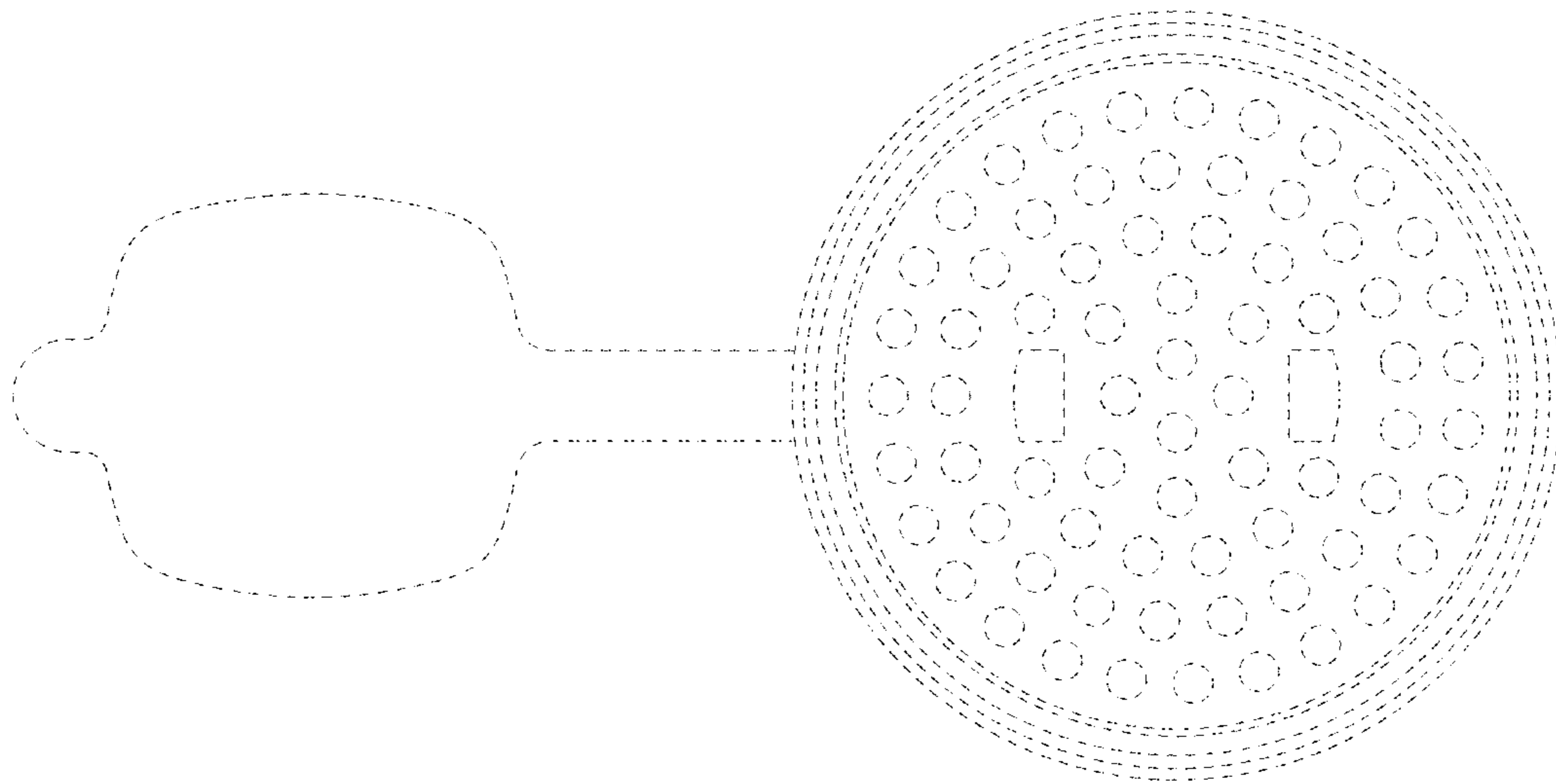


FIG. 9

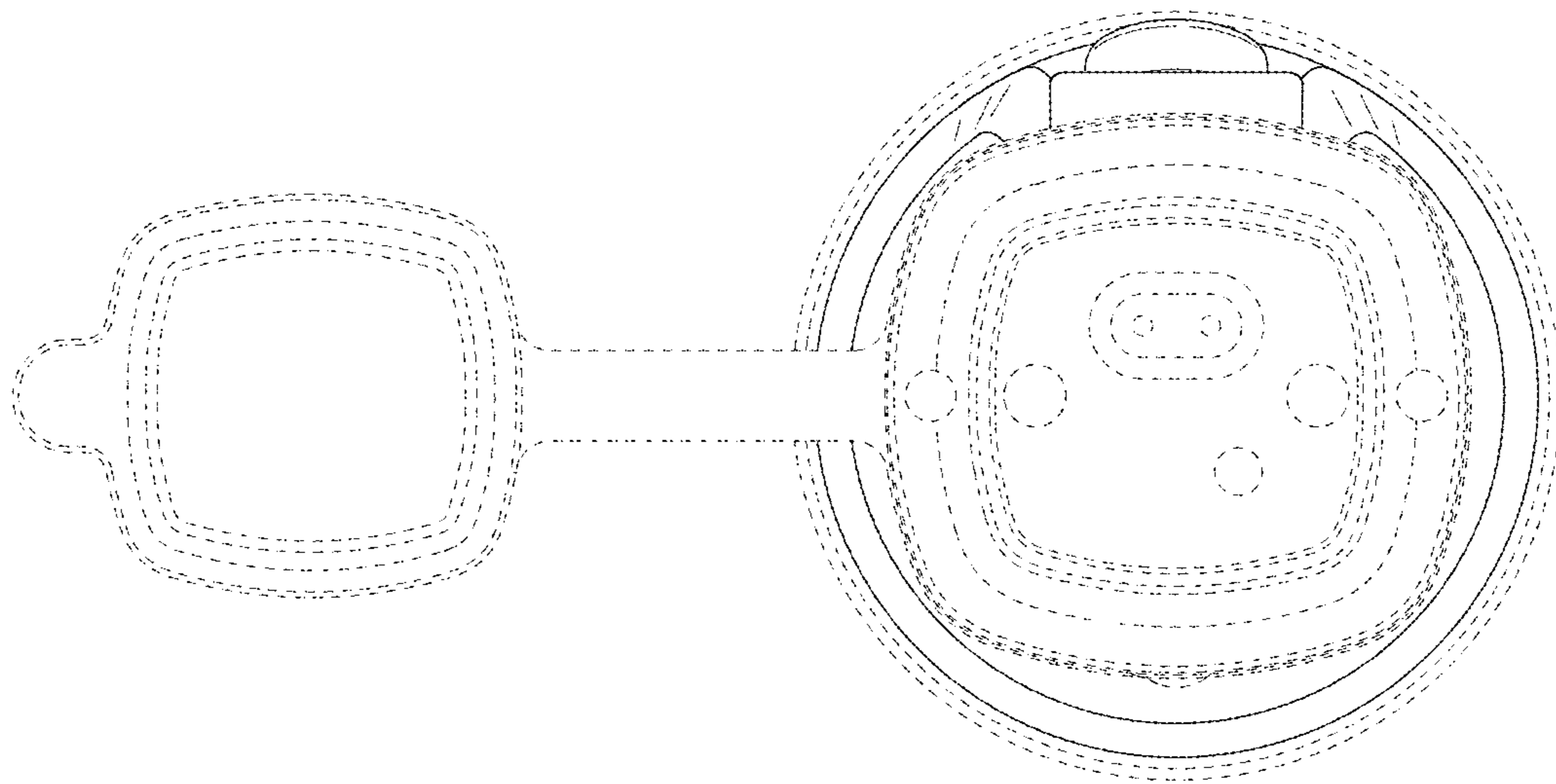


FIG. 10