



US00D908362S

(12) **United States Design Patent**
Babinchak et al.

(10) **Patent No.:** **US D908,362 S**
(45) **Date of Patent:** **** Jan. 26, 2021**

- (54) **SLING**
- (71) Applicant: **Lift-All Company, Inc.**, Landisville, PA (US)
- (72) Inventors: **Gregory S. Babinchak**, Elizabethtown, PA (US); **Steven Pacilio**, Landisville, PA (US)
- (73) Assignee: **Lift-All Company, Inc.**, Landisville, PA (US)
- (**) Term: **15 Years**
- (21) Appl. No.: **29/686,089**
- (22) Filed: **Apr. 2, 2019**
- (51) **LOC (13) Cl.** **03-01**
- (52) **U.S. Cl.**
USPC **D3/327; D22/199**
- (58) **Field of Classification Search**
USPC D24/124–128, 132, 133, 185–193, 199, D24/200, 206, 209, 210, 212–215; D29/100, 108, 113, 120.1, 121.1, 121.2; D30/144, 146; D34/28, 29, 35; D8/44; D3/327; D22/199
CPC B66C 1/12; D03D 11/02
See application file for complete search history.

- 4,025,100 A * 5/1977 Bridgehouse B66C 1/18 294/74
- 4,052,095 A * 10/1977 Johnson B66C 1/18 294/74
- 4,243,028 A * 1/1981 Puyana A61F 13/108 602/62

(Continued)

OTHER PUBLICATIONS

Lift-All. Web Slings. 2018. <https://www.lift-all.com/pdf/2018/Slings/Web-2019.pdf> (Year: 2018).*

(Continued)

Primary Examiner — Darcey E Gottschalk
(74) *Attorney, Agent, or Firm* — Saxton & Stump LLC

(57) **CLAIM**

The ornamental design for a sling, as shown and described.

DESCRIPTION

FIG. 1 is a top-front-left side perspective view of a sling; FIG. 2 is a top view of a portion of the sling represented by area 2 of FIG. 1; FIG. 3 is a bottom view of a portion of the sling represented by area 2 of FIG. 1; FIG. 4 is a left side view of a portion of the sling represented by area 2 of FIG. 1, a right side view being identical; and, FIG. 5 is an enlarged cross-sectional view of the sling taken along line 5-5 of FIG. 1.

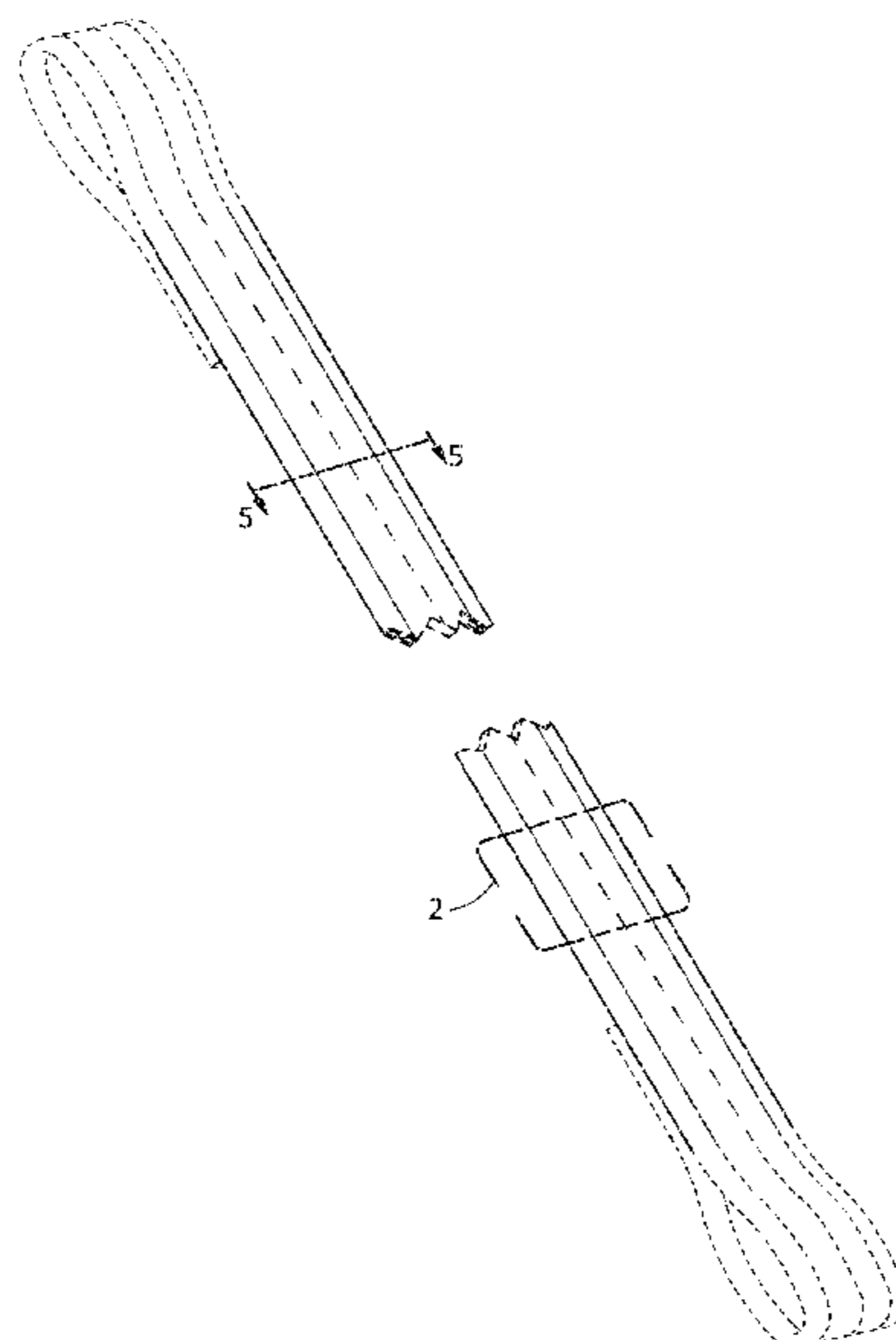
The broken line which extends along the center of the sling in FIGS. 1 and 2 is claimed stitching. The remainder of the broken lines in the drawings depict environmental matter that forms no part of the claimed design.

The sling is shown with a symbolic break in its length. The appearance of any portion of the article between the break lines forms no part of the claimed design.

1 Claim, 3 Drawing Sheets

(56) **References Cited**
U.S. PATENT DOCUMENTS

- 2,847,002 A * 8/1958 Doumar A61F 5/04 602/4
- 2,985,480 A * 5/1961 Otley B66C 1/18 294/74
- 3,038,644 A * 6/1962 Johnson A01M 31/00 224/184
- 3,592,502 A * 7/1971 Bolliger B66C 1/18 294/74
- 3,776,585 A * 12/1973 Bridgehouse B66C 1/18 294/74



(56)

References Cited

U.S. PATENT DOCUMENTS

4,757,719 A * 7/1988 Franke B66C 1/18
73/760
5,427,291 A * 6/1995 Smith A63C 11/025
224/250
D366,550 S * 1/1996 Shapiro D34/28
D367,142 S * 2/1996 Platt D29/124
5,688,011 A * 11/1997 Gulley B66C 1/105
294/74
D425,567 S * 5/2000 Taylor D21/301
6,331,024 B1 * 12/2001 Gulley B66C 1/18
294/74
D471,006 S * 3/2003 French D3/221
D475,495 S * 6/2003 Edwards D34/28
D482,837 S * 11/2003 Westbrook D34/28
D600,442 S * 9/2009 Shepard D3/224
D675,023 S * 1/2013 Colgan D3/327
D690,020 S * 9/2013 Quimby D24/191
8,973,509 B2 * 3/2015 Hede A63B 29/02
112/475.01
D865,184 S * 10/2019 Dorsey D24/190
D868,270 S * 11/2019 Nadeau D24/190
10,494,231 B1 * 12/2019 Babinchak D03D 3/005

OTHER PUBLICATIONS

Twitter. Lift-All Company. Nov. 5, 2019. <https://twitter.com/LiftAll/status/1191758111436087296> (Year: 2019).*

* cited by examiner

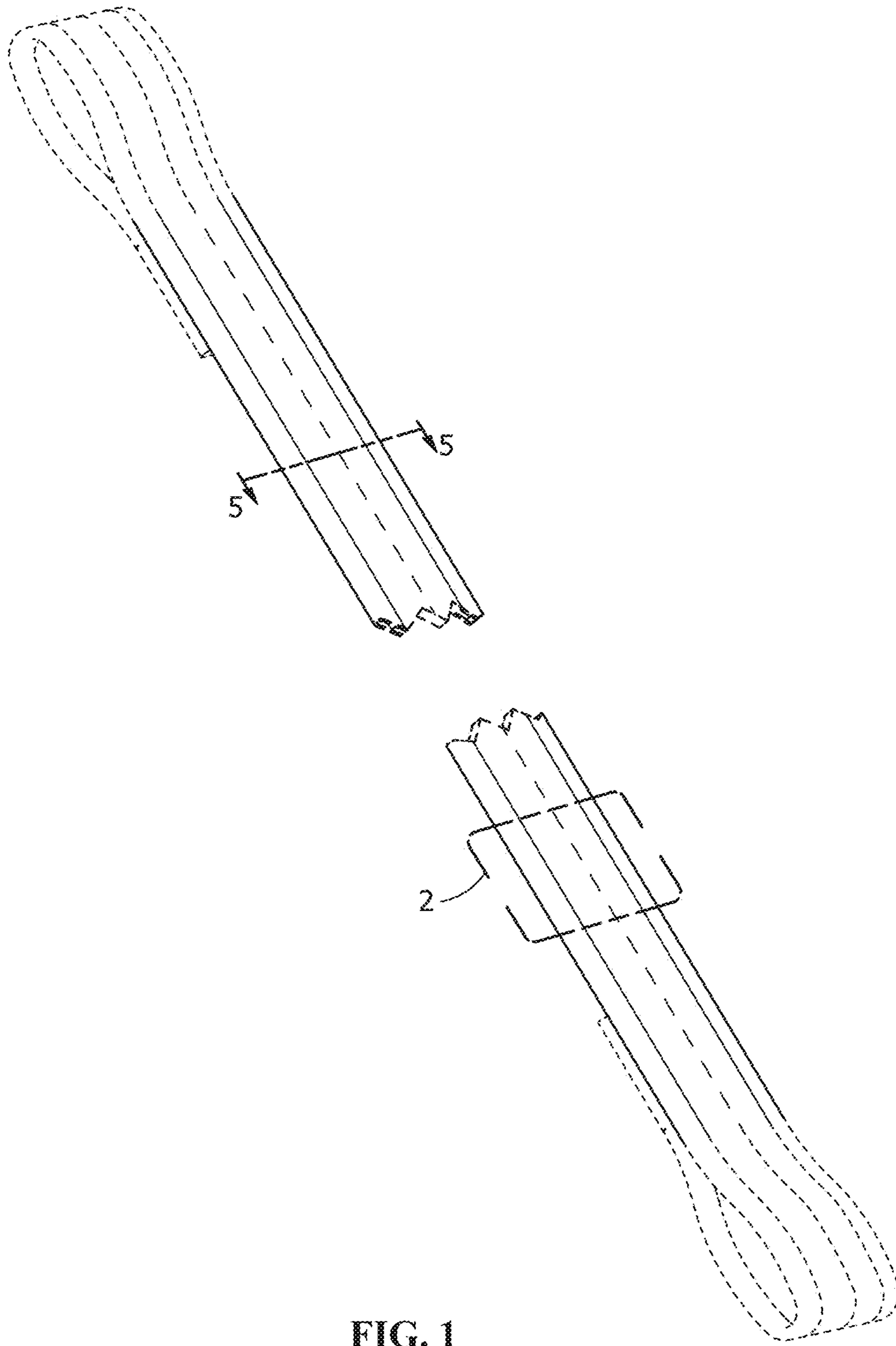


FIG. 1

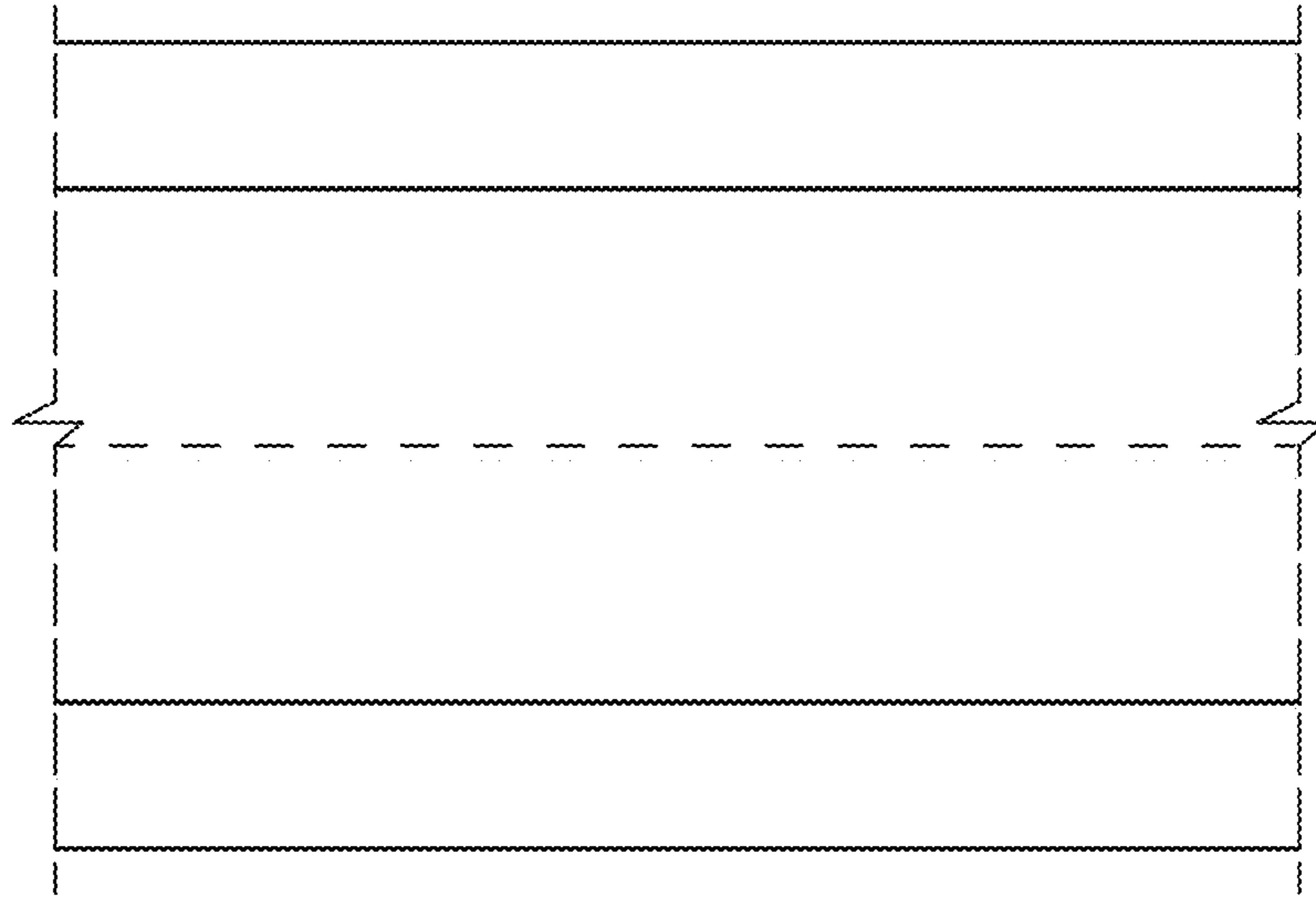


FIG. 2

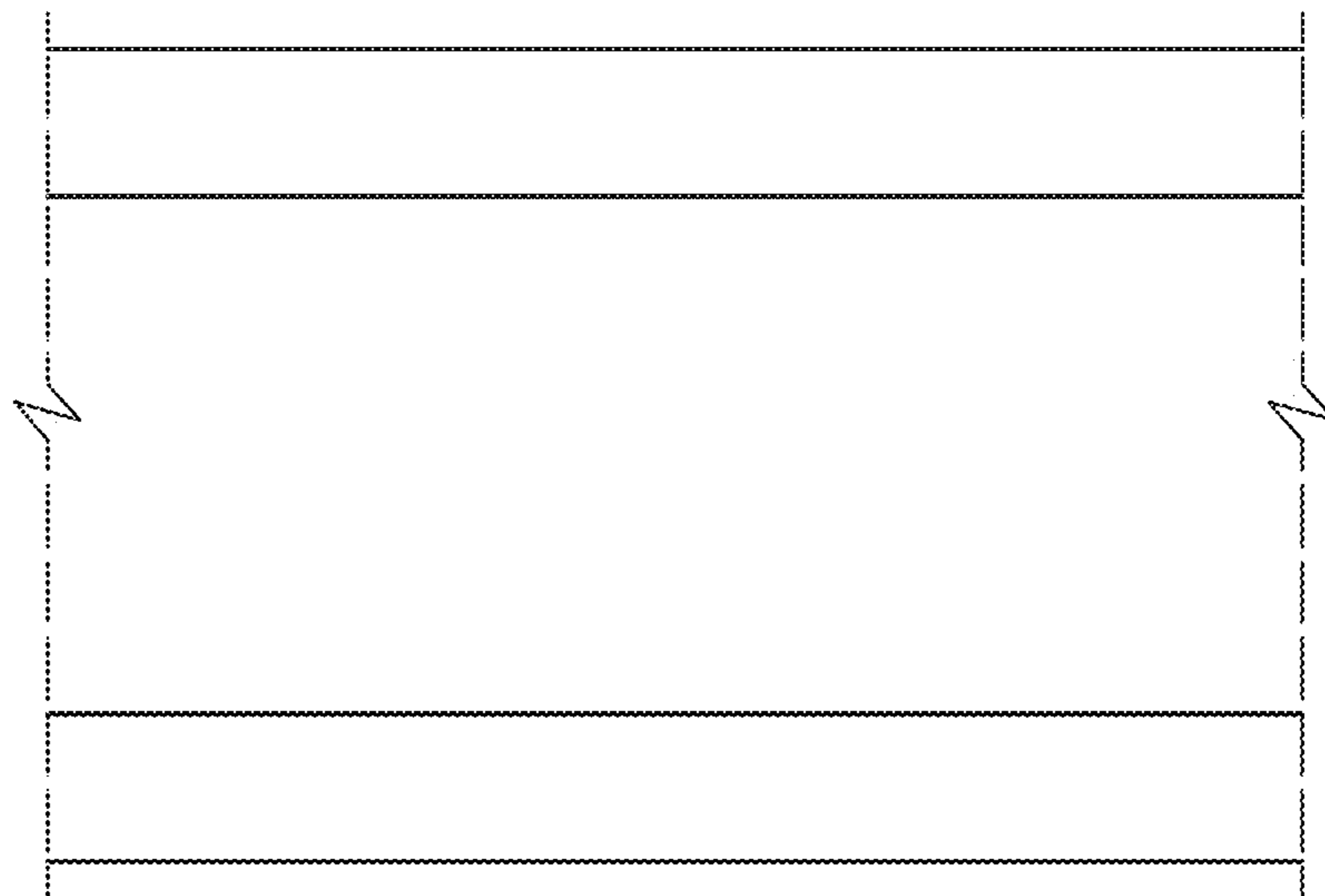


FIG. 3

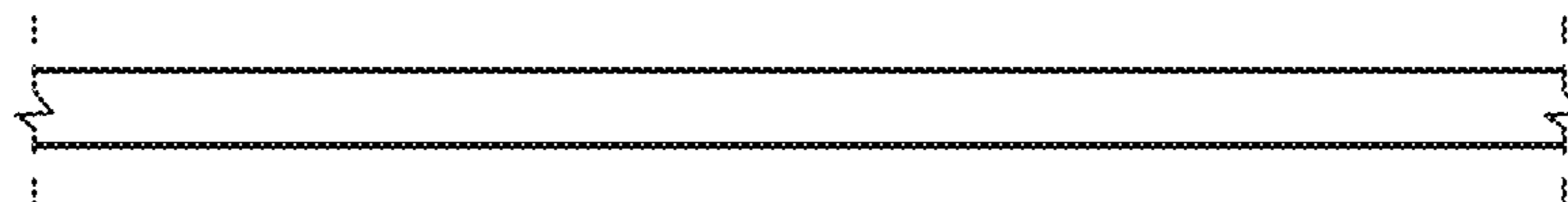


FIG. 4

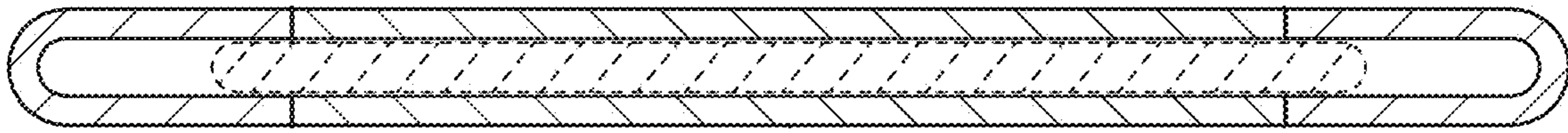


FIG. 5