



US00D908360S

(12) **United States Design Patent** (10) **Patent No.:** **US D908,360 S**
Zeller (45) **Date of Patent:** **** Jan. 26, 2021**

(54) **RAISED JEWEL PATTERN FOR FASHION ACCESSORY**

(71) Applicant: **Delvaux Createur SA**, Brussels (BE)

(72) Inventor: **Christina Zeller**, Brussels (BE)

(**) Term: **15 Years**

(21) Appl. No.: **29/706,162**

(22) Filed: **Sep. 18, 2019**

Related U.S. Application Data

(62) Division of application No. 29/649,125, filed on May 25, 2018, now Pat. No. Des. 878,762.

(30) **Foreign Application Priority Data**

Nov. 28, 2017 (EM) 004526572

(51) **LOC (13) Cl.** **03-01**

(52) **U.S. Cl.**
USPC **D3/318**

(58) **Field of Classification Search**
USPC D3/232-233, 240-243, 245-246, 318
CPC A45C 1/024; A45C 3/06; A45C 3/08
See application file for complete search history.

(56) **References Cited**

U.S. PATENT DOCUMENTS

- D541,528 S * 5/2007 Gonzalez D3/243
- D543,355 S * 5/2007 Gonzalez D3/243
- D569,100 S 5/2008 Stulman
- D627,559 S 11/2010 Gerbi
- D734,025 S 7/2015 Sassi
- D785,930 S 5/2017 Sassi
- D787,822 S 5/2017 Liu
- D789,081 S 6/2017 Sassi
- D792,091 S 7/2017 Sassi
- D834,809 S 12/2018 Burton
- D834,810 S 12/2018 Burton

(Continued)

OTHER PUBLICATIONS

Delvaux Tempête Papillon, Feb. 7, 2017, 1 pg.

(Continued)

Primary Examiner — Holly H Baynham

(74) *Attorney, Agent, or Firm* — Porzio Bromberg & Newman P.C.

(57) **CLAIM**

What is claimed is a raised jewel pattern for a handbag fashion accessory, as shown and described.

DESCRIPTION

FIG. 1 is a perspective view of a handbag fashion accessory having a raised jewel pattern.

FIG. 2 is a front view of the handbag fashion accessory having the raised jewel pattern of FIG. 1.

FIG. 3 is a rear view of the handbag fashion accessory having the raised jewel pattern of FIG. 1.

FIG. 4 is a left side view of the handbag fashion accessory having the raised jewel pattern of FIG. 1.

FIG. 5 is a right side view of the handbag fashion accessory having the raised jewel pattern of FIG. 1.

FIG. 6 is a top view of the handbag fashion accessory having the raised jewel pattern of FIG. 1; and,

FIG. 7 is a bottom view of the handbag fashion accessory having the raised jewel pattern of FIG. 1.

A raised jewel pattern for a fashion accessory, such as a handbag, is depicted. In FIGS. 1-7, portions of the handbag that are indicated as forming no part of the design are rendered in broken lines and have no shading. Transitions between the claimed design and the portions of the handbag forming no part of the claimed design are indicated through the presence of black dash-dot-dash boundary lines that separate the claimed design from the portions that form no part of the claimed design.

1 Claim, 5 Drawing Sheets



(56)

References Cited

U.S. PATENT DOCUMENTS

D866,960 S * 11/2019 Fusi D3/232
D866,977 S * 11/2019 Levy D3/318
D866,978 S * 11/2019 Levy D3/318
D868,469 S * 12/2019 Zeller D3/318

OTHER PUBLICATIONS

Delvaux Women's & Men's Collection, Autumn—Winter 2016/
2017, 96 pgs.

Iakovou, Pascal, "Delvaux Collection Printemps—Eté 2018," dated
Nov. 28, 2017, 9 pgs.

Statement on First Public Disclosure, Sep. 2017, 1 pg.

U.S. Appl. No. 29/649,125, filed May 25, 2018, Zeller.

* cited by examiner



Figure 1

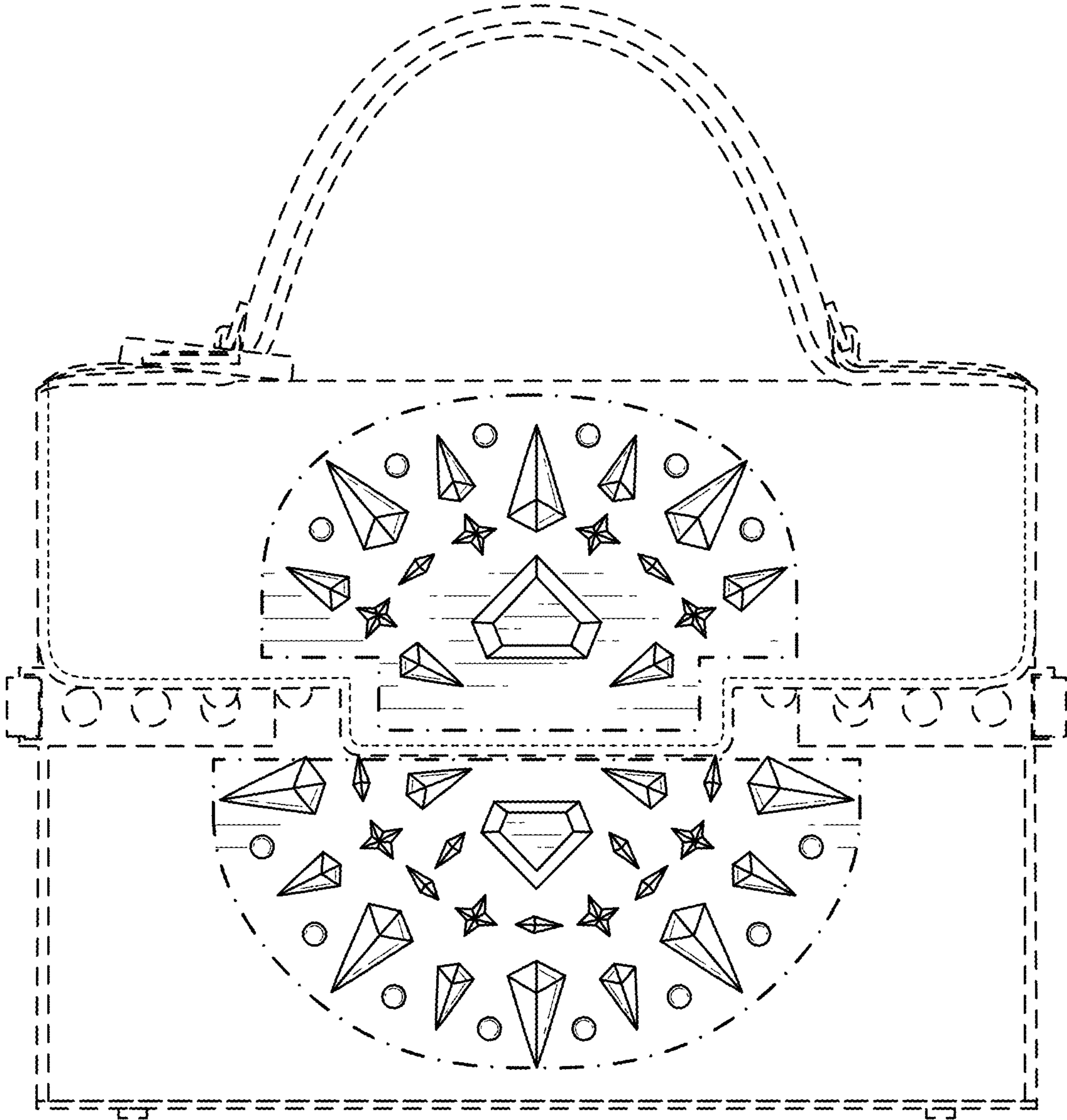


Figure 2

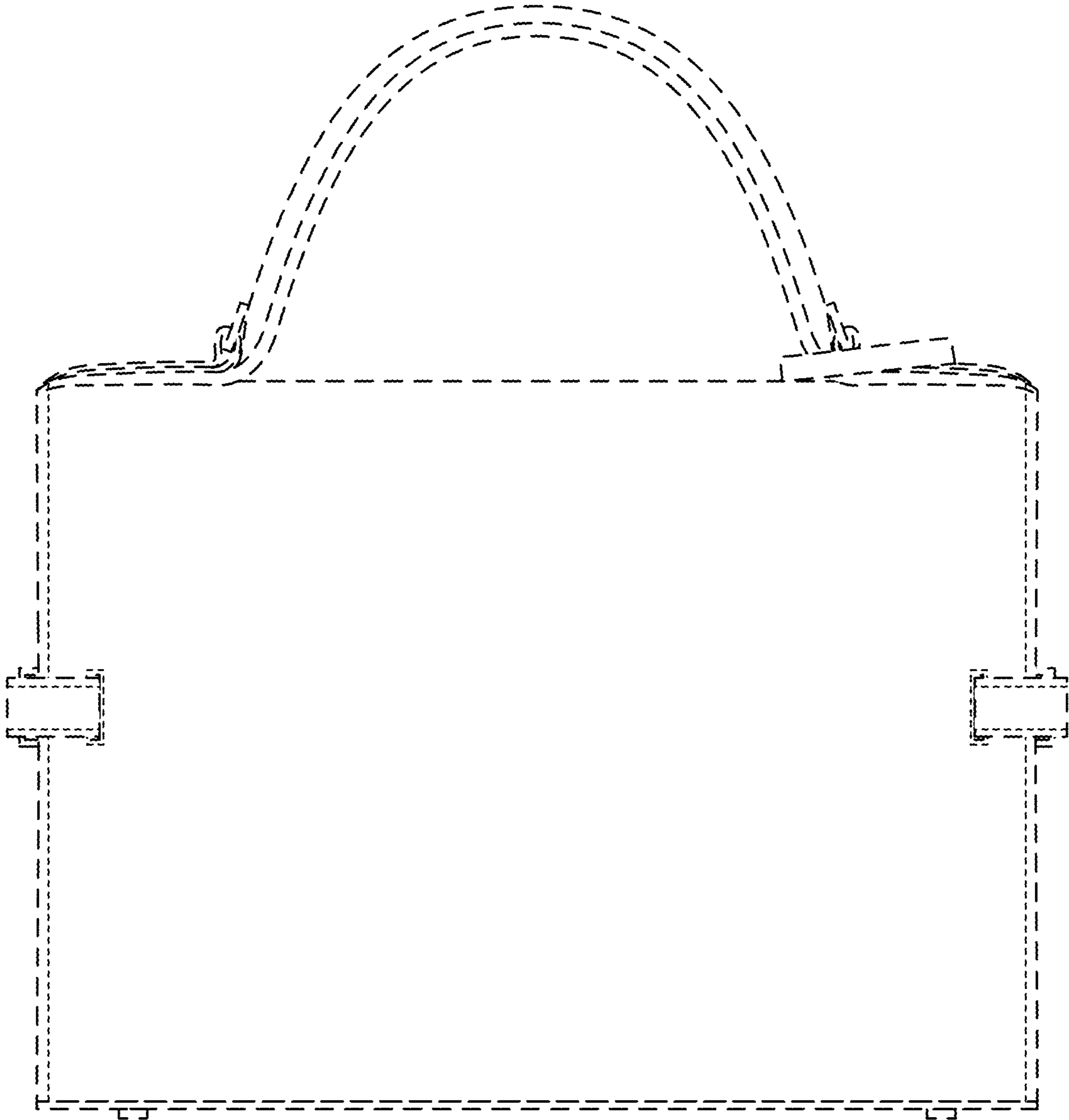


Figure 3

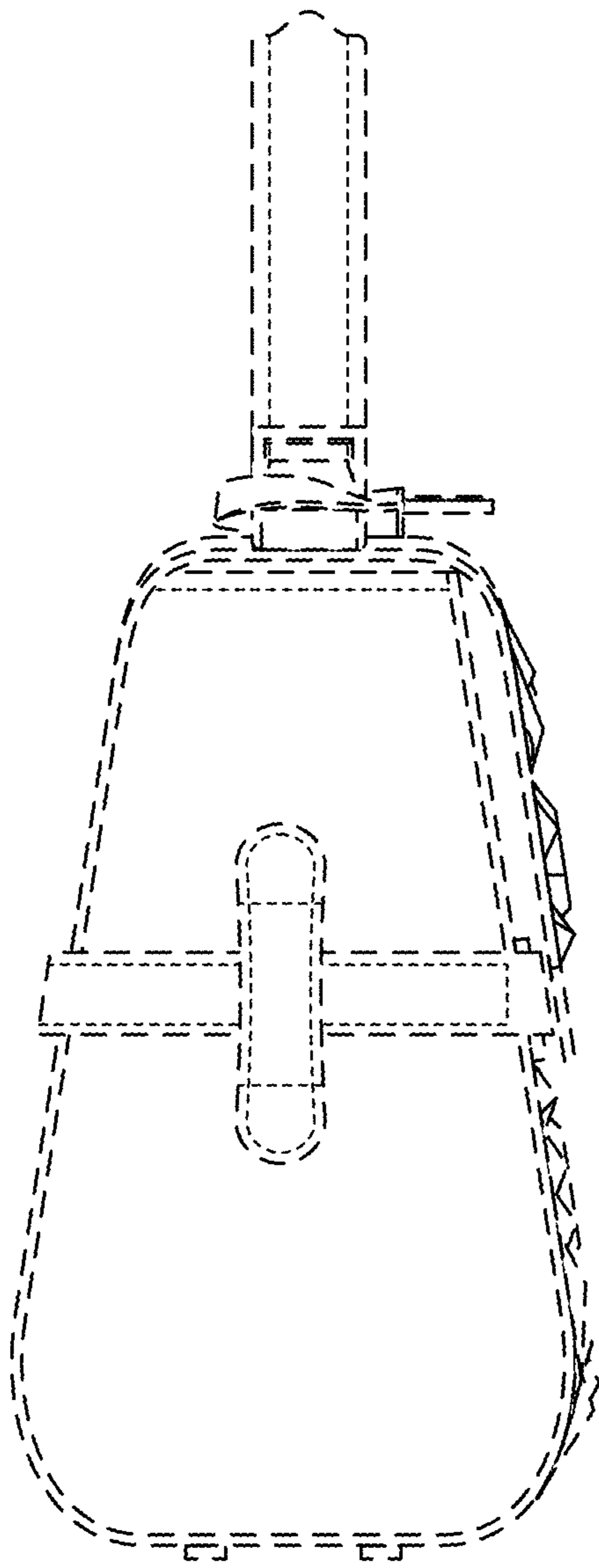


Figure 4

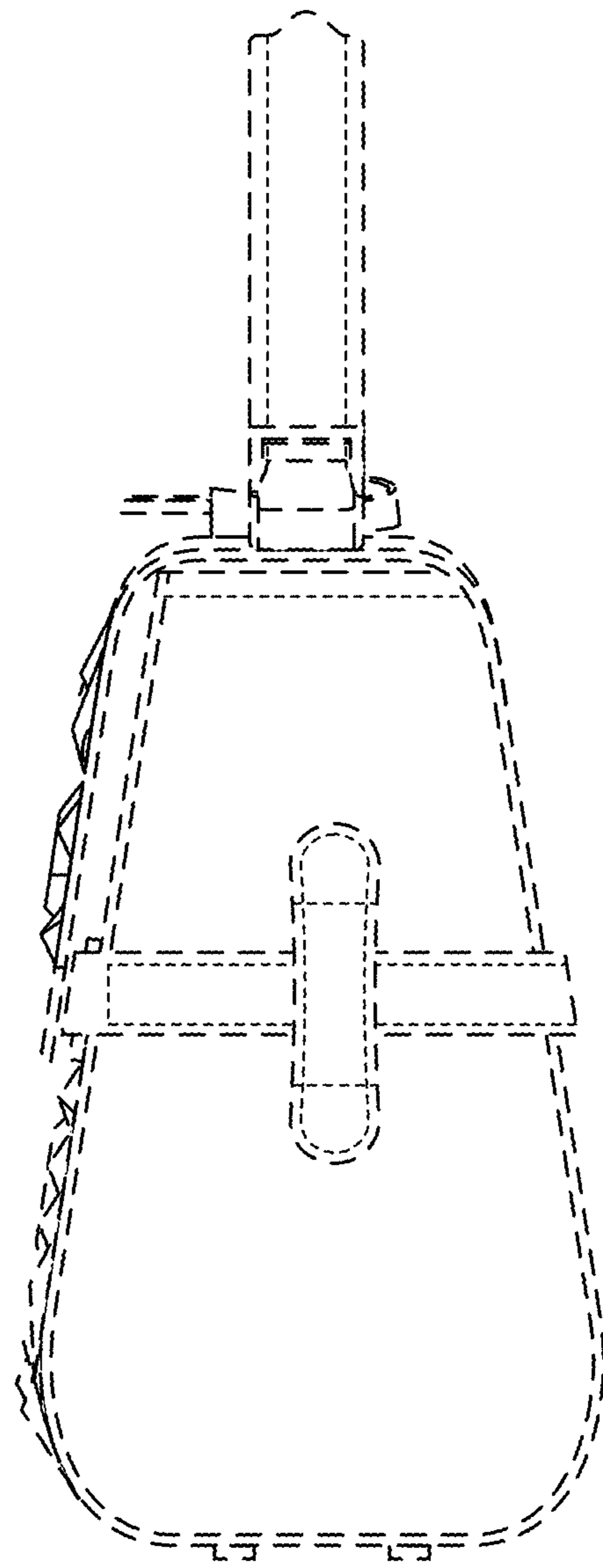


Figure 5

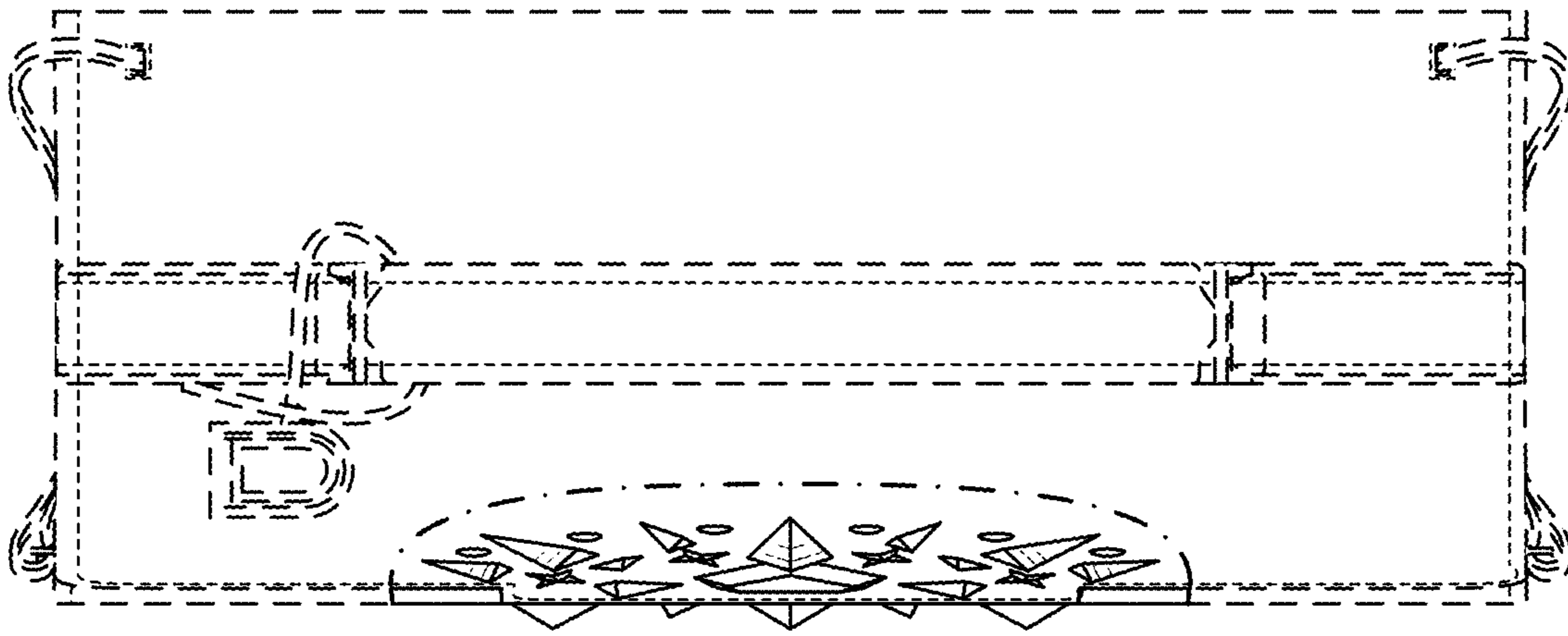


Figure 6

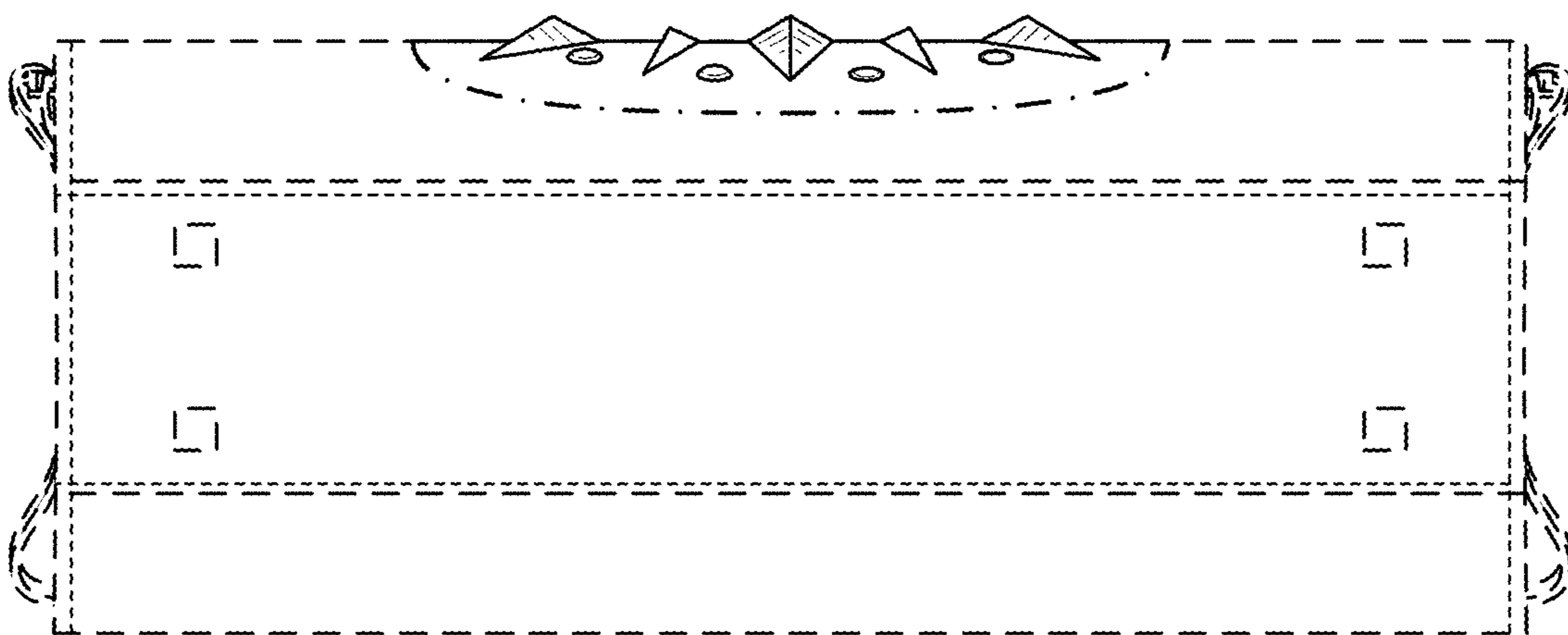


Figure 7