



US00D908358S

(12) **United States Design Patent**  
**Zhai**

(10) **Patent No.:** **US D908,358 S**

(45) **Date of Patent:** **\*\* Jan. 26, 2021**

(54) **DETACHABLE BASKET**

(71) Applicant: **Dongguan Qiongfeng Hardware Products Co., Ltd., Dongguan (CN)**

(72) Inventor: **Qiong'e Zhai, Dongguan (CN)**

(\*\*) Term: **15 Years**

(21) Appl. No.: **29/748,541**

(22) Filed: **Aug. 31, 2020**

(51) **LOC (13) Cl.** ..... **03-01**

(52) **U.S. Cl.**  
USPC ..... **D3/306**

(58) **Field of Classification Search**  
USPC ..... D3/201, 304, 305, 306, 312, 314–315,  
D3/318–319; D19/75–77, 86  
CPC . B65D 1/00; B65D 1/22; B65D 1/225; B65D  
1/34; B65D 1/38; B65D 7/00  
See application file for complete search history.

(56) **References Cited**

**U.S. PATENT DOCUMENTS**

2,968,418	A *	1/1961	Stoddard	.....	B65D 21/0211 206/509
D296,600	S *	7/1988	Singerman	.....	D3/306
D296,601	S *	7/1988	Chap	.....	D3/306
D383,283	S *	9/1997	Hankins, III	.....	D3/306
6,401,950	B1 *	6/2002	Chiang	.....	B62B 3/005 220/1.5
D507,108	S *	7/2005	Suero, Jr.	.....	D3/304
D650,175	S *	12/2011	Lee	.....	D3/306
D675,850	S *	2/2013	Tawil	.....	D6/705.6
9,648,953	B1 *	5/2017	Kuo	.....	A47F 5/01
D793,087	S *	8/2017	Goodman	.....	D3/306
D814,190	S	4/2018	Mishan et al.		
D835,911	S *	12/2018	Goodman	.....	D3/306

D838,979	S	1/2019	Goodman et al.		
D844,989	S	4/2019	Wilson et al.		
D860,648	S *	9/2019	Greenblatt	.....	D3/306
D894,603	S *	9/2020	Dittrich	.....	D3/306
D901,180	S *	11/2020	Li	.....	D3/305
2006/0255217	A1 *	11/2006	Wise	.....	E06C 7/146 248/153
2012/0152993	A1 *	6/2012	Chen	.....	B62J 9/00 224/419
2012/0279937	A1 *	11/2012	Sciuchetti	.....	F25D 25/022 211/86.01
2020/0148359	A1 *	5/2020	Smith	.....	B64D 1/22

\* cited by examiner

*Primary Examiner* — Kelley A Donnelly

(74) *Attorney, Agent, or Firm* — HYIP

(57) **CLAIM**

The ornamental design for a detachable basket, as shown and described.

**DESCRIPTION**

FIG. 1 is a first perspective view of a detachable basket showing my new design;

FIG. 2 is a second perspective view thereof;

FIG. 3 is a front view thereof;

FIG. 4 is a back view thereof;

FIG. 5 is a left side view thereof;

FIG. 6 is a right side view thereof;

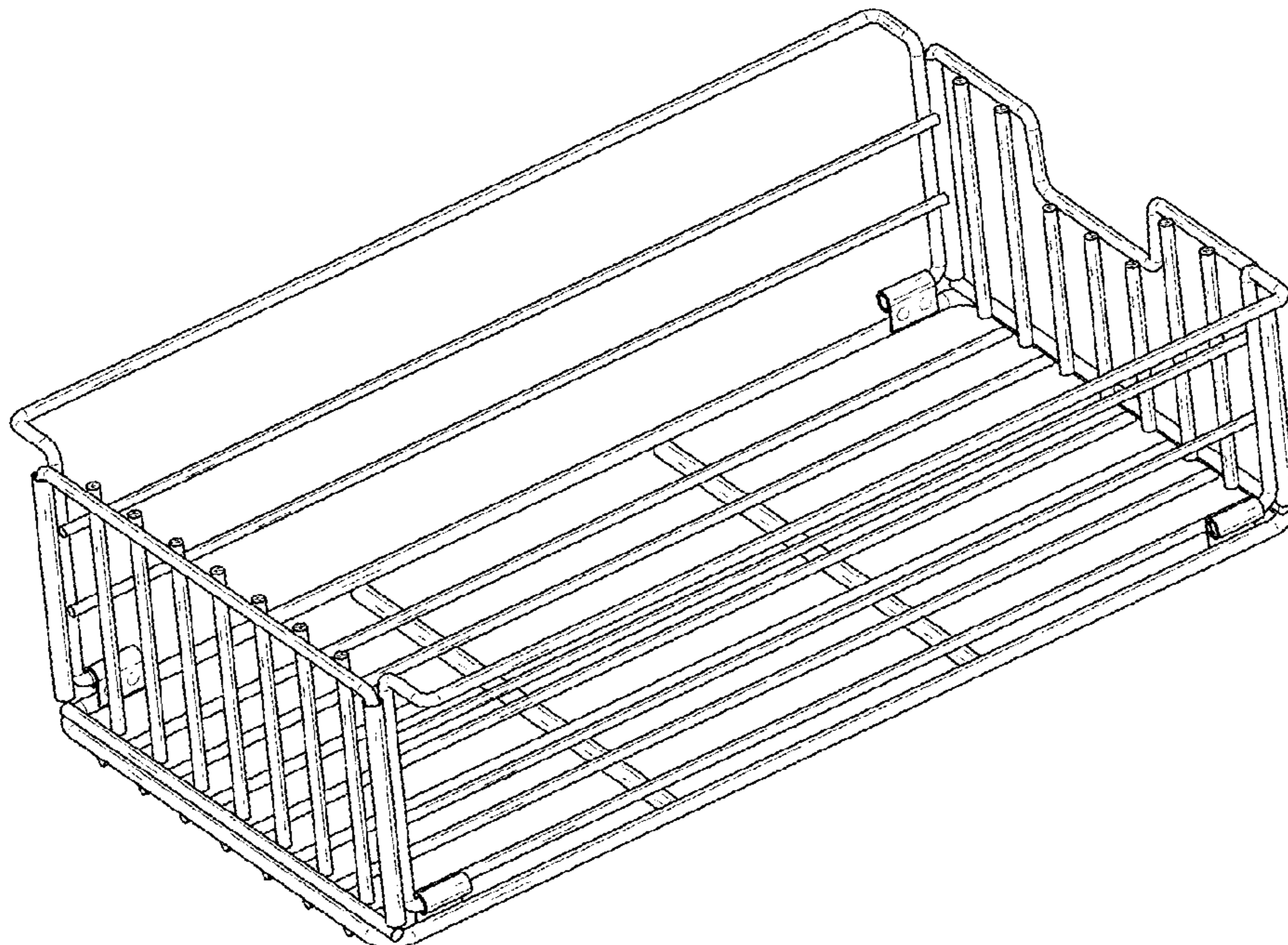
FIG. 7 is a top view thereof;

FIG. 8 is a bottom view thereof; and,

FIG. 9 is a perspective view of another state of the detachable basket thereof.

The broken lines shown in the drawings depict portions of the detachable basket in which the design is embodied that form no part of the claimed design.

**1 Claim, 9 Drawing Sheets**



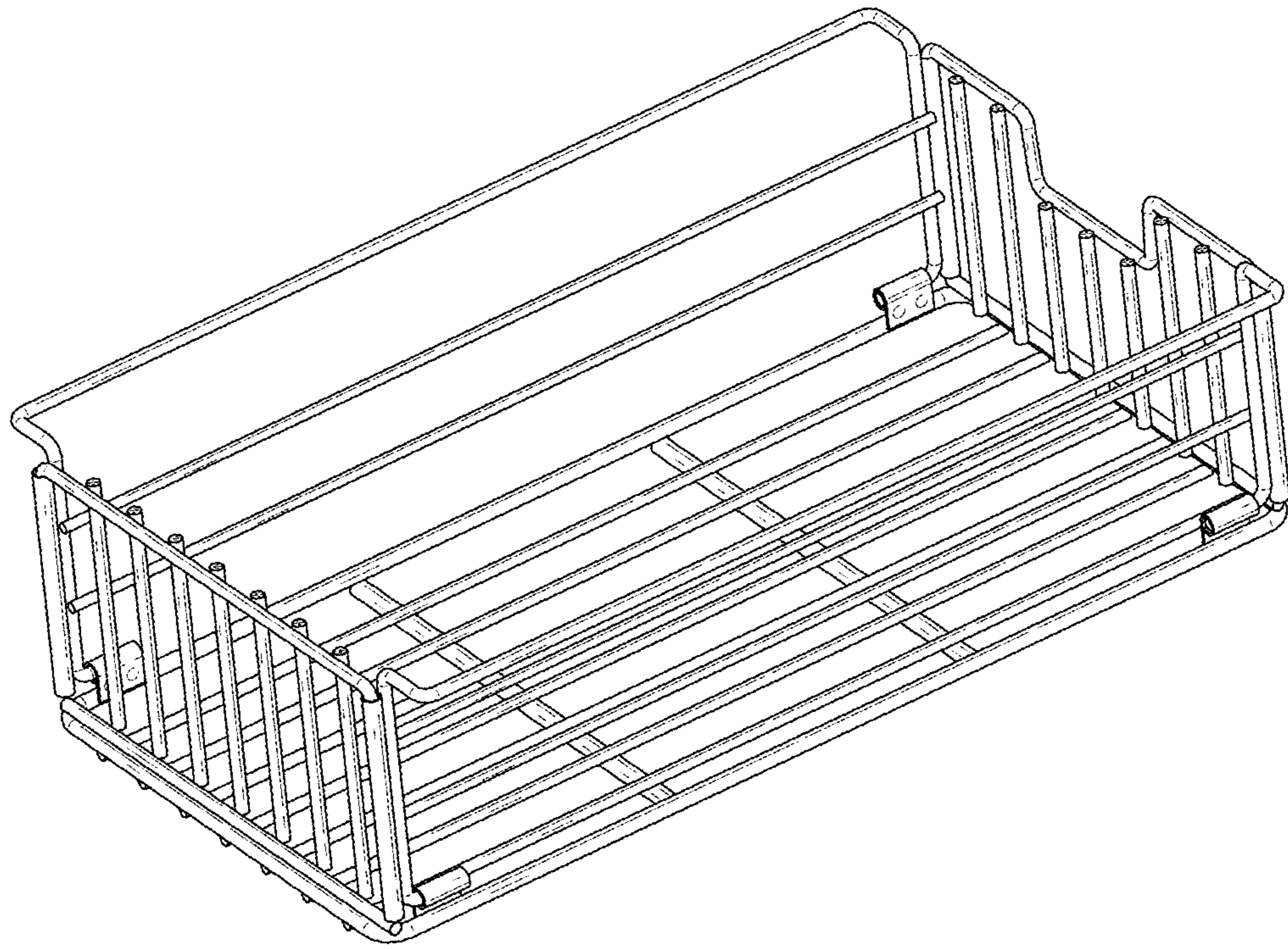


FIG. 1

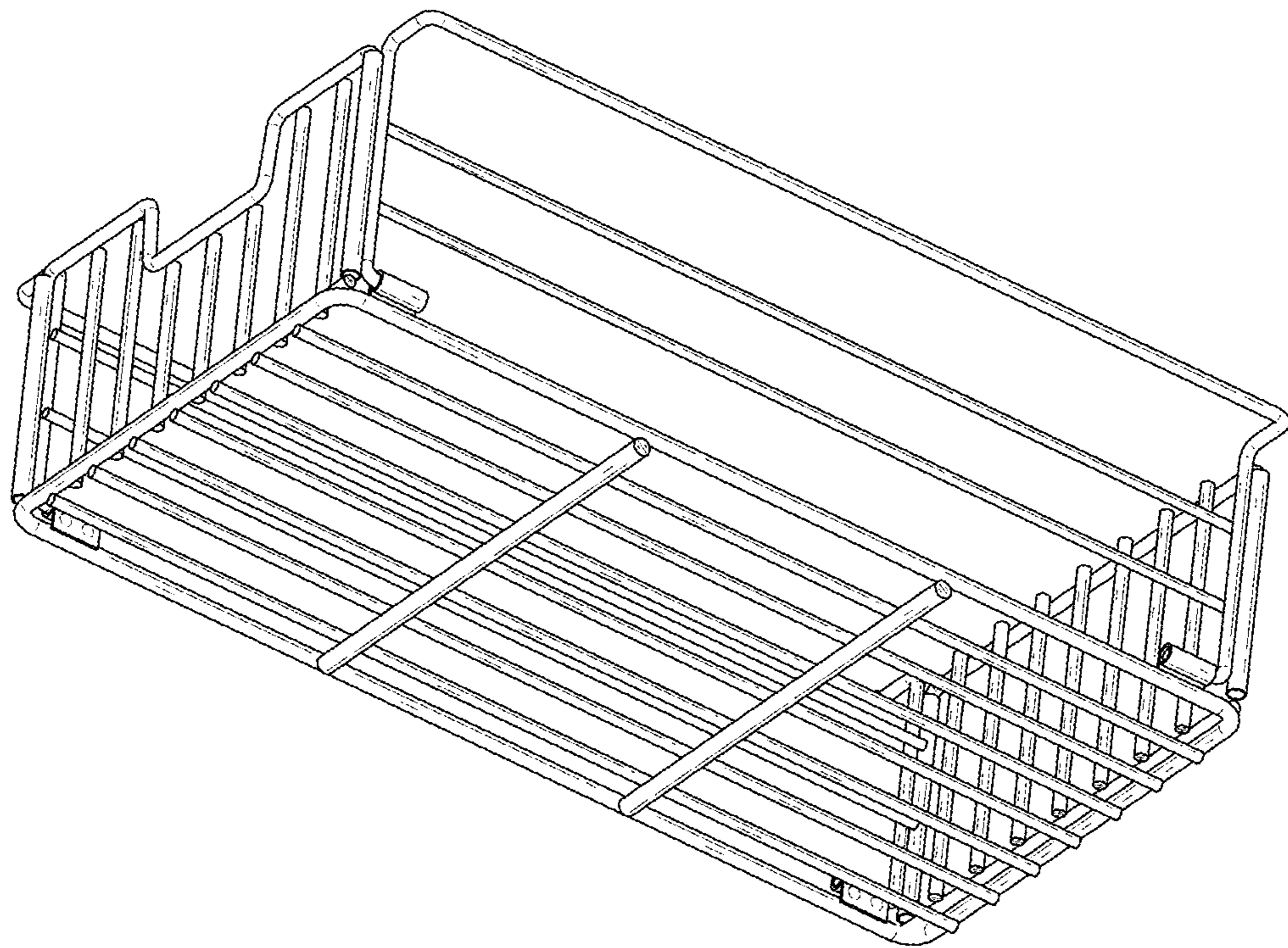


FIG. 2

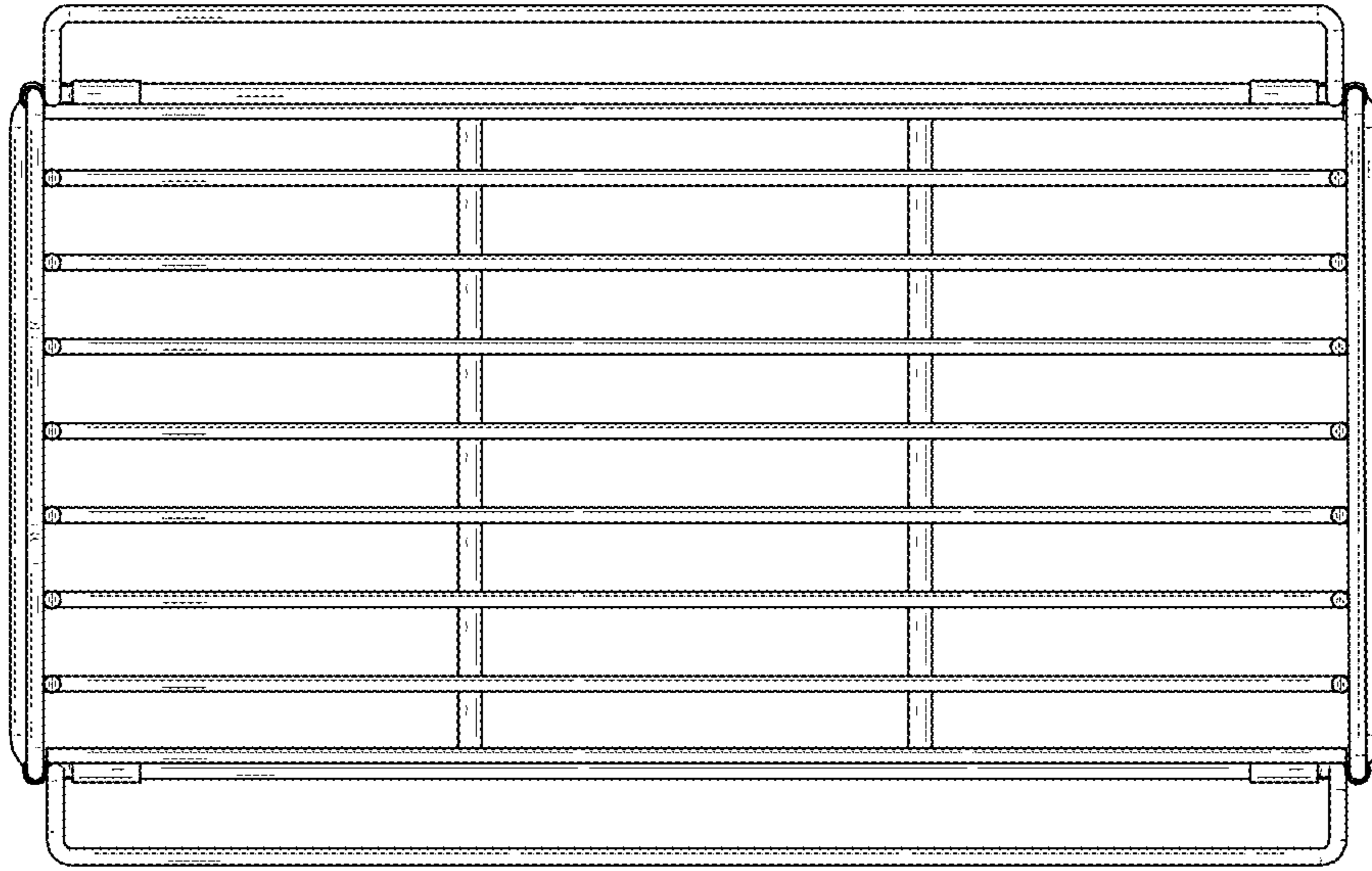


FIG. 3

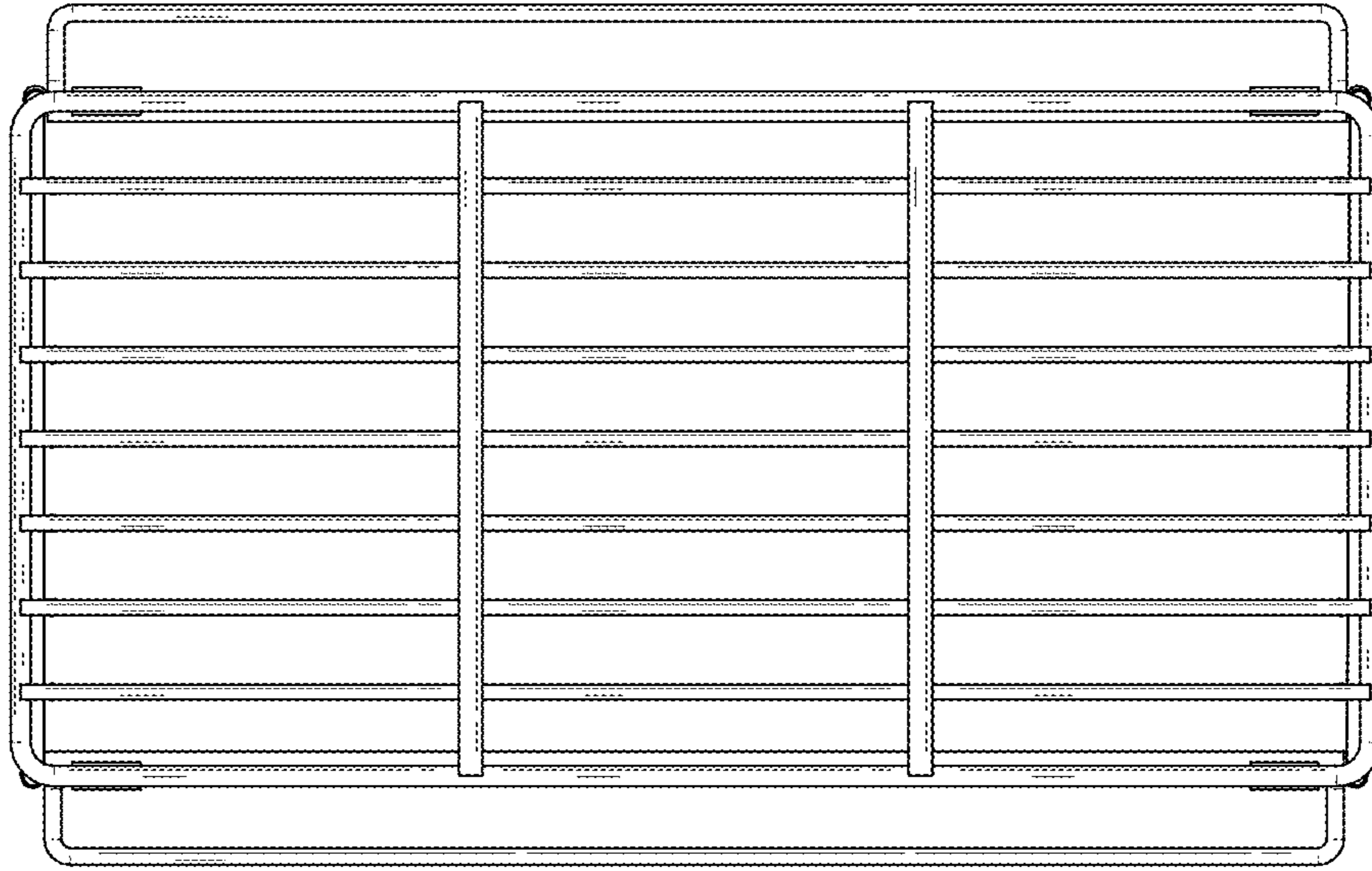


FIG. 4

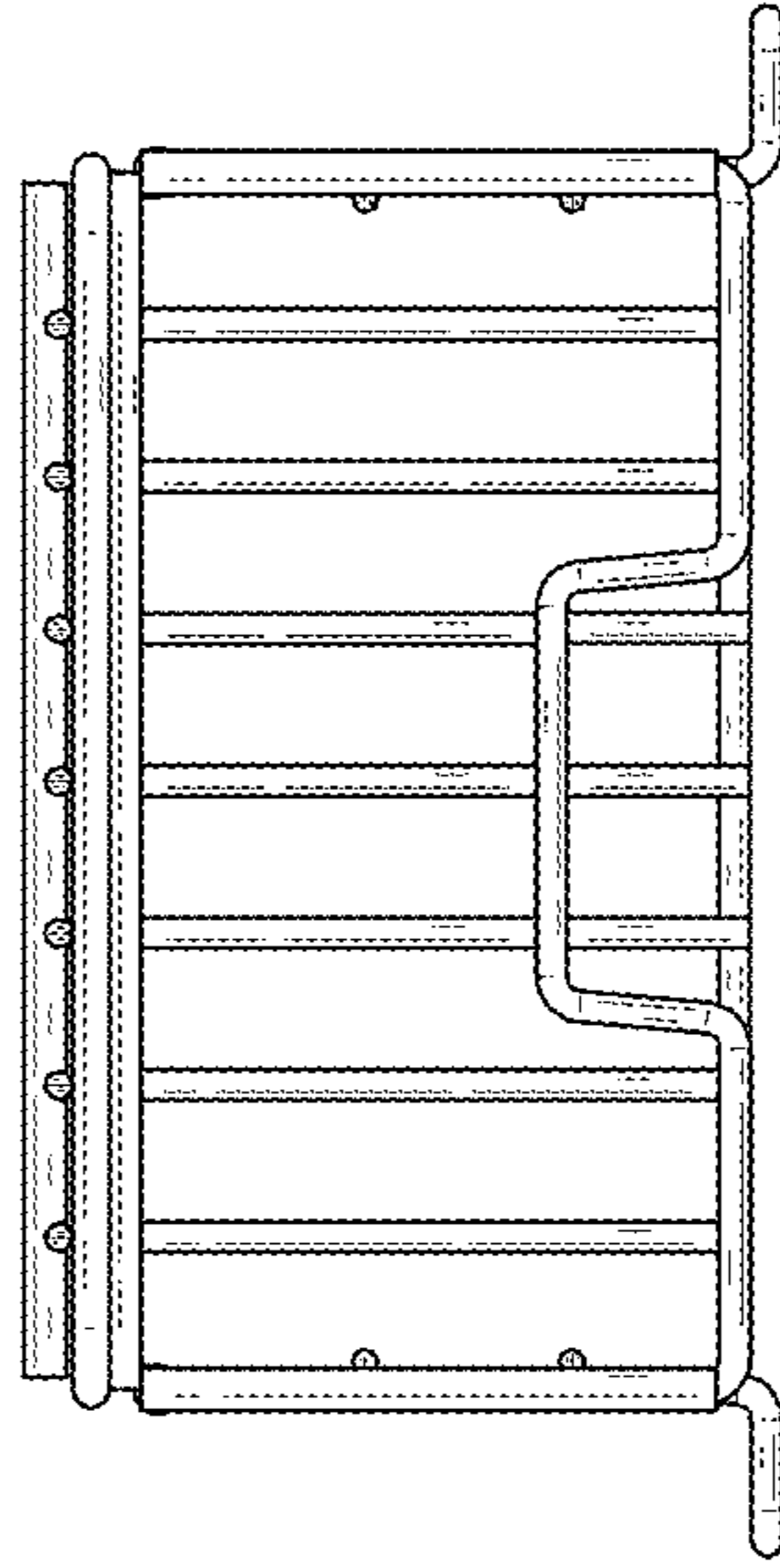


FIG. 5

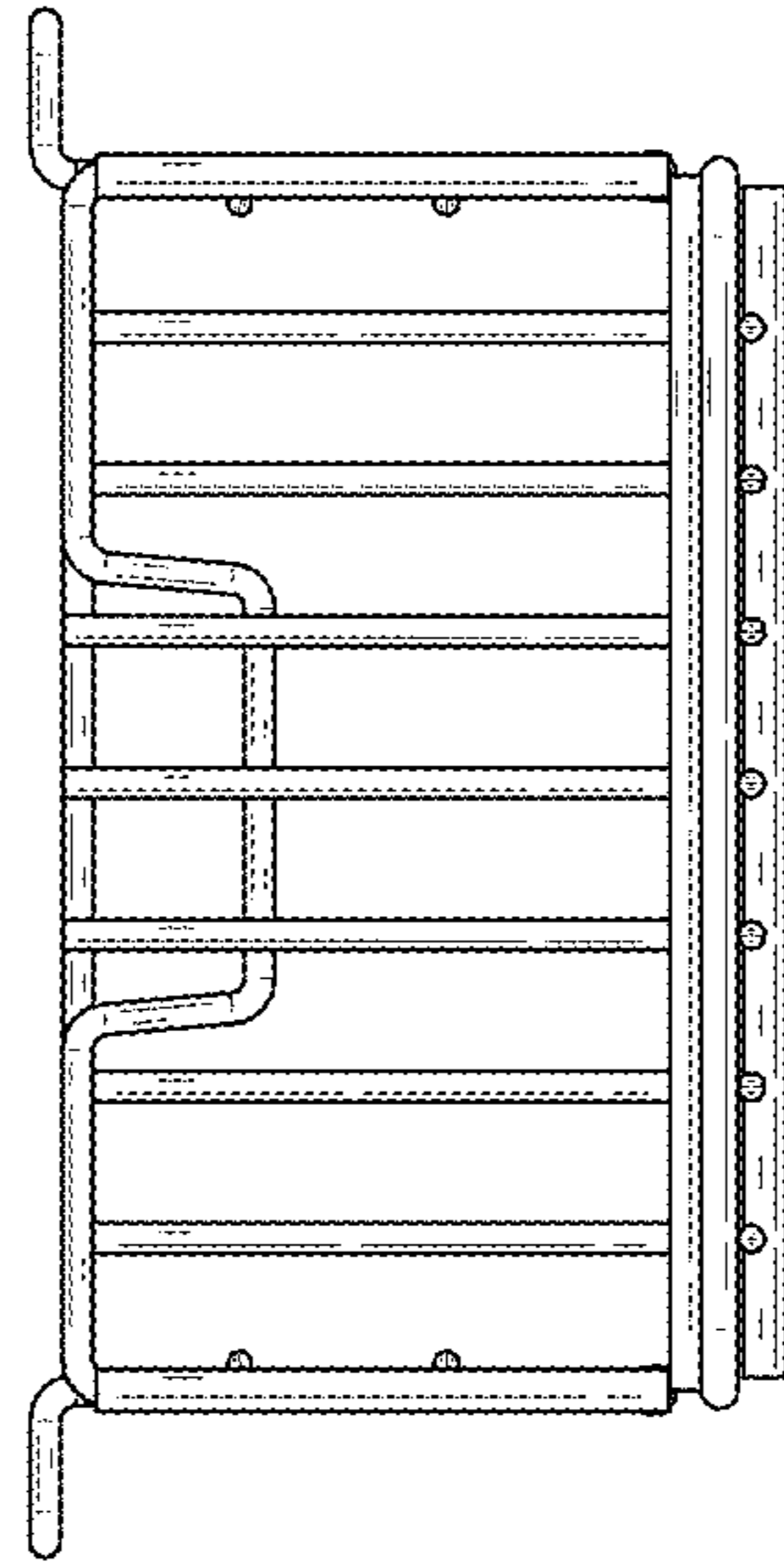


FIG. 6

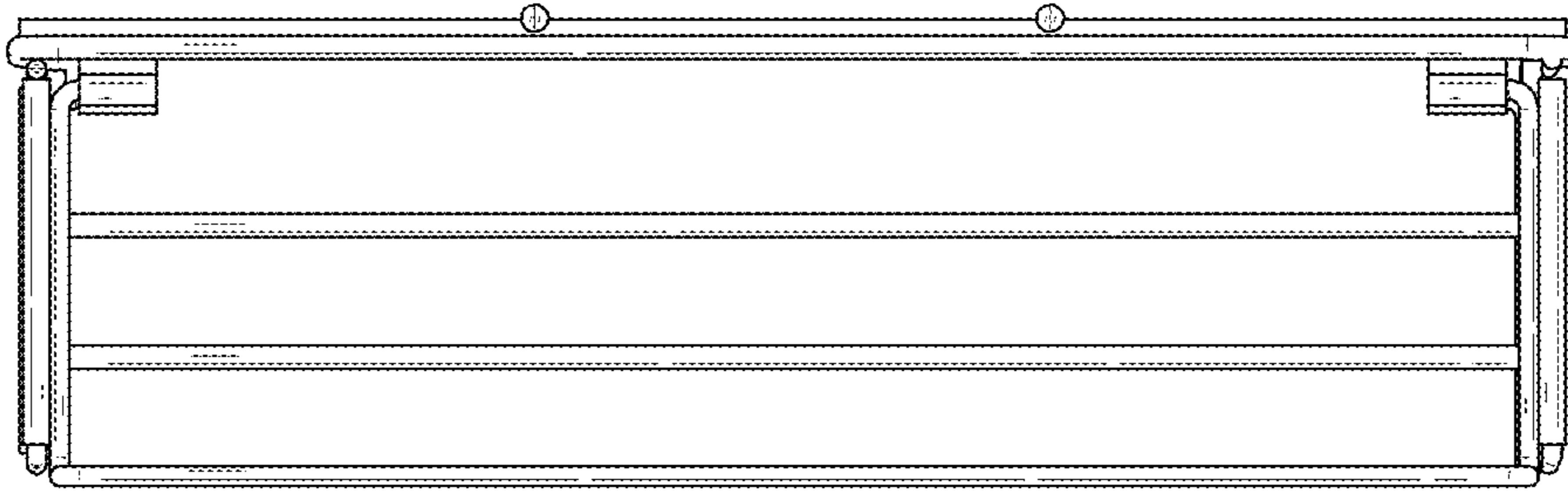


FIG. 7



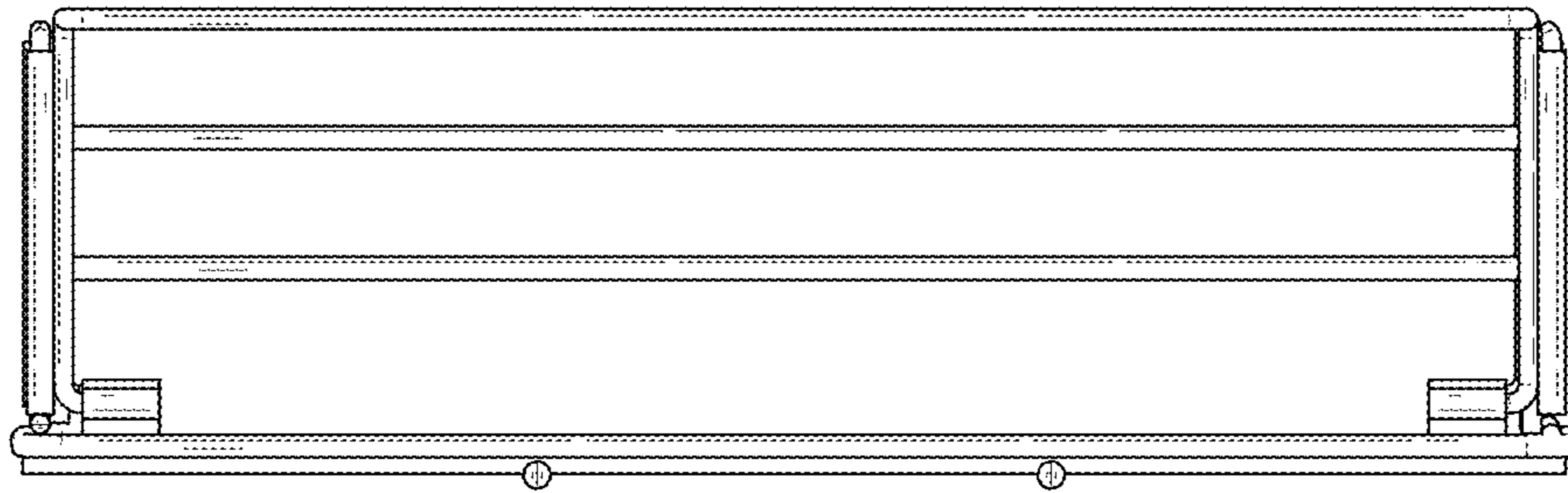


FIG. 8

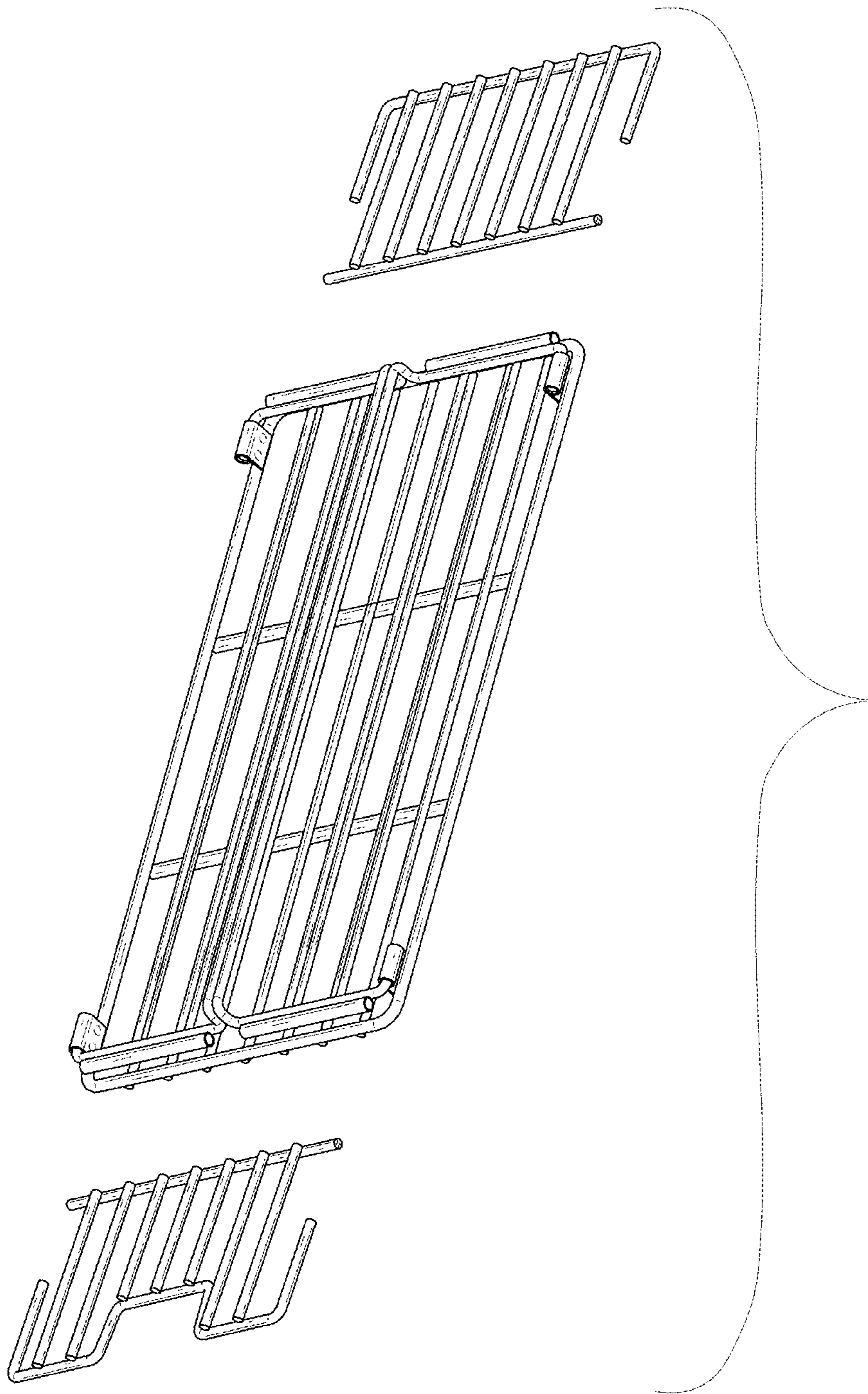


FIG. 9