



US00D908355S

(12) **United States Design Patent**
Kim

(10) **Patent No.:** **US D908,355 S**

(45) **Date of Patent:** **** Jan. 26, 2021**

(54) **STORAGE CASE FOR CONTACT LENS CONTAINER**

(71) Applicant: **Da-Young Kim**, Daegu (KR)

(72) Inventor: **Da-Young Kim**, Daegu (KR)

(**) Term: **15 Years**

(21) Appl. No.: **29/692,691**

(22) Filed: **May 28, 2019**

(51) **LOC (13) Cl.** **03-01**

(52) **U.S. Cl.**
USPC **D3/264**

(58) **Field of Classification Search**
USPC D3/207, 215, 219, 229, 263–266, 299,
D3/211; D12/417; D16/330, 339;
24/3.3, 3.7, 3.8, 563; 206/5, 5.1, 6;
248/902; 351/112, 155; D9/435, 452,
D9/454
CPC A45C 11/04; A45C 11/005; A47F 7/02;
A47F 7/021
See application file for complete search history.

(56) **References Cited**

U.S. PATENT DOCUMENTS

D59,596 S *	11/1921	Hyatt	D9/452
D117,705 S *	11/1939	Abrams	D9/746
2,586,740 A *	2/1952	Swanson	A45F 5/02 224/667
D173,295 S *	10/1954	Wantz	D3/266
2,739,698 A *	3/1956	Baratelli	A45C 11/04 206/5
D188,393 S *	7/1960	Fagan	D3/264
D204,641 S *	5/1966	Brigham	D3/229
D217,136 S *	4/1970	Howard et al.	D9/452
D245,371 S *	8/1977	Mowry	D3/207
D258,850 S *	4/1981	Brentini	D3/207
D263,119 S *	2/1982	Oshita	D9/503

4,324,121 A *	4/1982	Richter	A44B 15/00 70/459
D266,649 S *	10/1982	Plewes	D9/454
D267,652 S *	1/1983	Thomas	206/5.1
4,415,076 A *	11/1983	Campbell	A45C 11/005 134/137
4,444,307 A *	4/1984	Jermyn	A45C 11/005 134/901
D285,744 S *	9/1986	Vinot	D3/264
D286,465 S *	11/1986	Attwood	D3/207
4,653,711 A *	3/1987	Marshall	B60K 15/0406 220/744
D289,922 S *	5/1987	Jermyn	D24/218
D289,923 S *	5/1987	Hoogesteger	D24/218

(Continued)

Primary Examiner — T Chase Nelson
(74) *Attorney, Agent, or Firm* — Novick, Kim & Lee, PLLC; Jae Youn Kim; Hyun Woo Shin

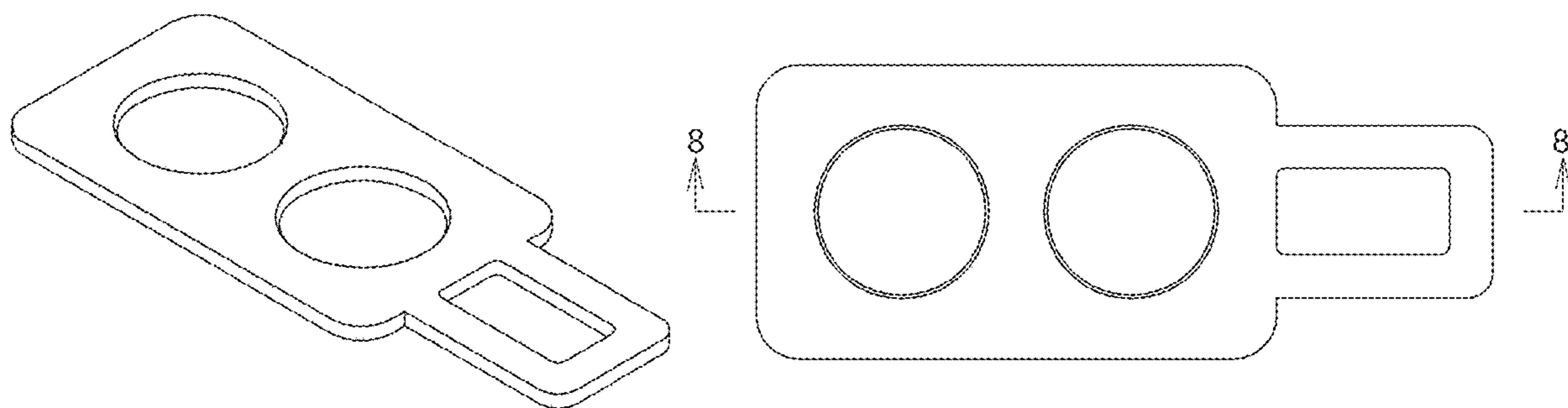
(57) **CLAIM**

I claim, the ornamental design for a storage case for contact lens container, as shown and described.

DESCRIPTION

FIG. 1 is a perspective view of a storage case for contact lens container, showing my new design;
FIG. 2 is a front elevational view thereof;
FIG. 3 is a rear elevational view thereof;
FIG. 4 is a left side elevational view thereof;
FIG. 5 is a right side elevational view thereof;
FIG. 6 is a top plan view thereof;
FIG. 7 is a bottom plan view thereof;
FIG. 8 is a sectional view thereof taken along line 8-8 of FIG. 6; and,
FIGS. 9 and 10 are reference views thereof showing a configuration of use wherein contact lens containers are placed on the storage case.
The broken lines shown in the drawings show environmental structure which form no part of the claimed design.

1 Claim, 4 Drawing Sheets



(56)

References Cited

U.S. PATENT DOCUMENTS

5,277,324 A * 1/1994 Cash B65D 23/065
 215/275
 D358,477 S * 5/1995 De Meo D3/264
 D371,678 S * 7/1996 Borghorst D3/263
 5,620,088 A * 4/1997 Martin B65B 25/008
 206/5.1
 D381,259 S * 7/1997 Hayes D9/454
 D385,414 S * 10/1997 Siu D3/207
 5,695,049 A * 12/1997 Bauman A45C 11/005
 206/5.1
 D388,603 S * 1/1998 Fortune D3/215
 D392,046 S * 3/1998 Niedospial, Jr. D24/224
 D429,153 S * 8/2000 Gabriel D9/447
 D435,961 S * 1/2001 Weinstock D3/215
 D435,966 S * 1/2001 Duis D3/264
 D441,284 S * 5/2001 Saur D3/264
 6,244,430 B1 * 6/2001 Travis A44B 15/005
 206/205
 6,435,339 B1 * 8/2002 Kroupa A45C 11/005
 206/38
 D471,357 S * 3/2003 Hoppe A45C 11/046
 D3/266
 D500,589 S * 1/2005 Schmitz A45C 11/005
 D3/207
 6,837,472 B1 * 1/2005 Beutz A45F 3/16
 224/148.4
 D511,893 S * 11/2005 Chou A45C 11/005
 D3/263
 D512,217 S * 12/2005 Chou A45C 11/005
 D3/263
 D519,372 S * 4/2006 Hsieh D6/542
 7,086,526 B2 * 8/2006 Newman A45C 11/005
 206/5.1
 D534,076 S * 12/2006 Green A45D 40/0068
 D9/435
 D540,173 S * 4/2007 Obuchi D9/452
 D543,103 S * 5/2007 Roche A45C 15/04
 D3/264
 D551,448 S * 9/2007 Stull A45C 11/005
 D3/264
 D560,120 S * 1/2008 Maravich D9/453
 D584,043 S * 1/2009 Baskett A45C 11/005
 D22/134
 D616,198 S * 5/2010 Liu A45C 11/005
 D3/264
 D626,409 S * 11/2010 Hooley D9/434
 D652,310 S * 1/2012 Hartford D9/544
 D659,003 S * 5/2012 Knox D9/529
 D682,042 S * 5/2013 Sanders D7/619.2
 D684,015 S * 6/2013 Sanders D7/619.2
 D688,530 S * 8/2013 Sanders D7/619.2
 D690,561 S * 10/2013 Sanders D7/619.1

8,596,782 B2 * 12/2013 Matsuzawa A61L 2/26
 351/159.33
 D704,440 S * 5/2014 Kroupa D3/264
 D714,052 S * 9/2014 Priebe D3/264
 D751,399 S * 3/2016 Lynd D9/454
 D755,516 S * 5/2016 Krenkler D3/264
 D759,488 S * 6/2016 Gibson D9/454
 D778,594 S * 2/2017 Sanders D3/207
 D784,694 S * 4/2017 Priebe D3/264
 D796,952 S * 9/2017 Katopis D9/451
 D818,309 S * 5/2018 Jasso Gomez D7/392.1
 D820,086 S * 6/2018 Lynd D9/454
 D842,111 S * 3/2019 Delia D9/504
 D853,215 S * 7/2019 Bellamy, Sr. D8/40
 D860,637 S * 9/2019 Sanders D3/207
 D866,334 S * 11/2019 Wieland D9/504
 D891,770 S * 8/2020 Gagnon D3/264
 D891,927 S * 8/2020 Zhu D9/503
 D892,493 S * 8/2020 Carson D3/207
 D892,620 S * 8/2020 Kaye D9/500
 D893,246 S * 8/2020 Monaghan D7/396.2
 2002/0020634 A1 * 2/2002 Fortune A45C 11/005
 206/5.1
 2004/0140229 A1 * 7/2004 Borovsky A45C 11/005
 206/5.1
 2006/0011496 A1 * 1/2006 Mangabeira Nunez
 A45C 11/005
 206/5.1
 2006/0219577 A1 * 10/2006 Newman B65D 77/02
 206/5.1
 2006/0237335 A1 * 10/2006 Py A45C 11/005
 206/5.1
 2007/0000792 A1 * 1/2007 Newman B65D 83/0418
 206/5.1
 2007/0170075 A1 * 7/2007 Winters A45C 11/005
 206/5.1
 2009/0057167 A1 * 3/2009 Rathert A61F 2/1691
 206/205
 2010/0122917 A1 * 5/2010 Azera A45C 11/046
 206/5.1
 2011/0017243 A1 * 1/2011 Voss A45C 11/005
 134/42
 2011/0073497 A1 * 3/2011 Kanner A45C 11/005
 206/5.1
 2011/0303562 A1 * 12/2011 Franklin A45C 15/04
 206/223
 2012/0193245 A1 * 8/2012 Wright A45C 11/005
 206/5.1
 2013/0220840 A1 * 8/2013 Priebe A45C 11/005
 206/5.1
 2014/0262844 A1 * 9/2014 Barre B65D 81/22
 206/5.1
 2017/0065045 A1 * 3/2017 Lin A45C 11/005
 2017/0165901 A1 * 6/2017 Fischer B29C 66/53461
 2019/0046353 A1 * 2/2019 Greenwood A45C 11/005
 2019/0281936 A1 * 9/2019 Lamrani A61B 5/6821

* cited by examiner

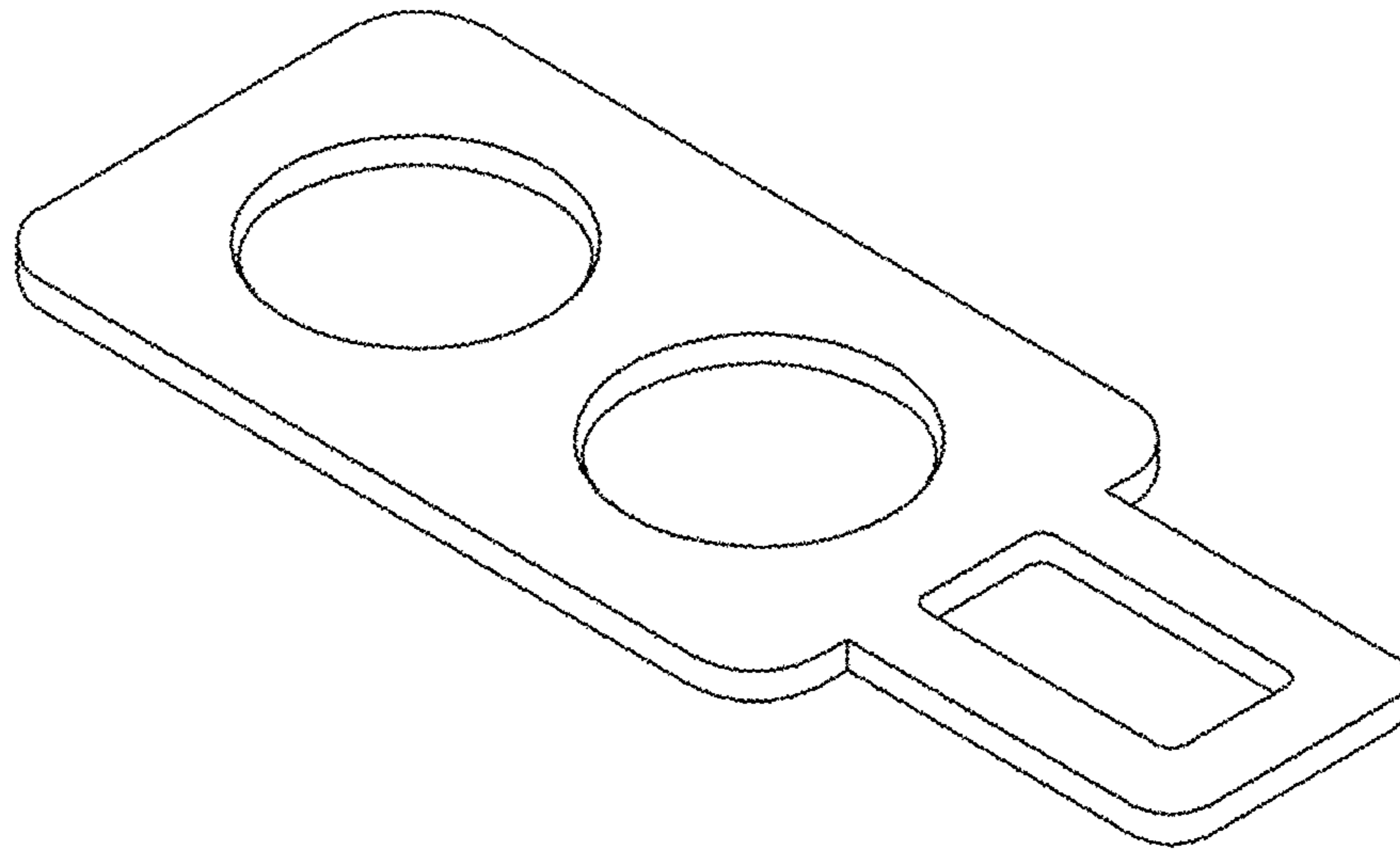


FIG. 1



FIG. 2

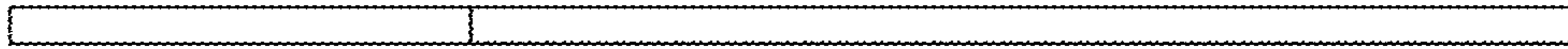


FIG. 3

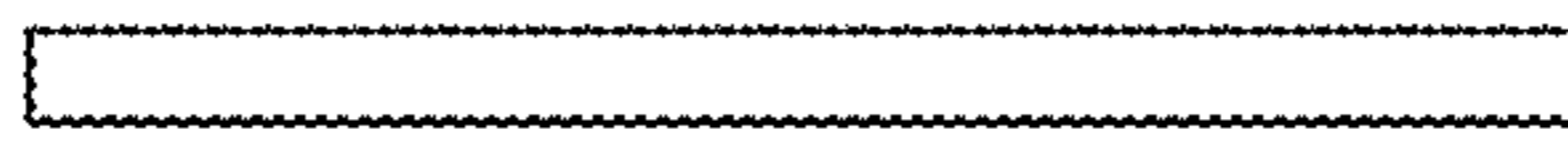


FIG. 4



FIG. 5

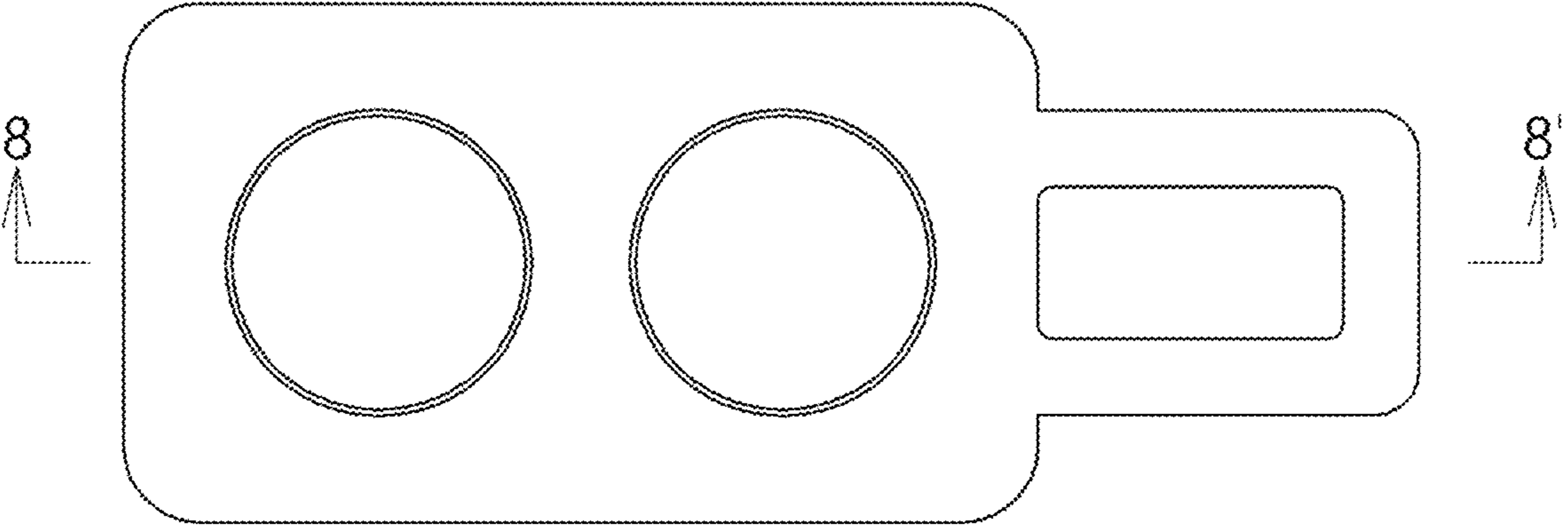


FIG. 6

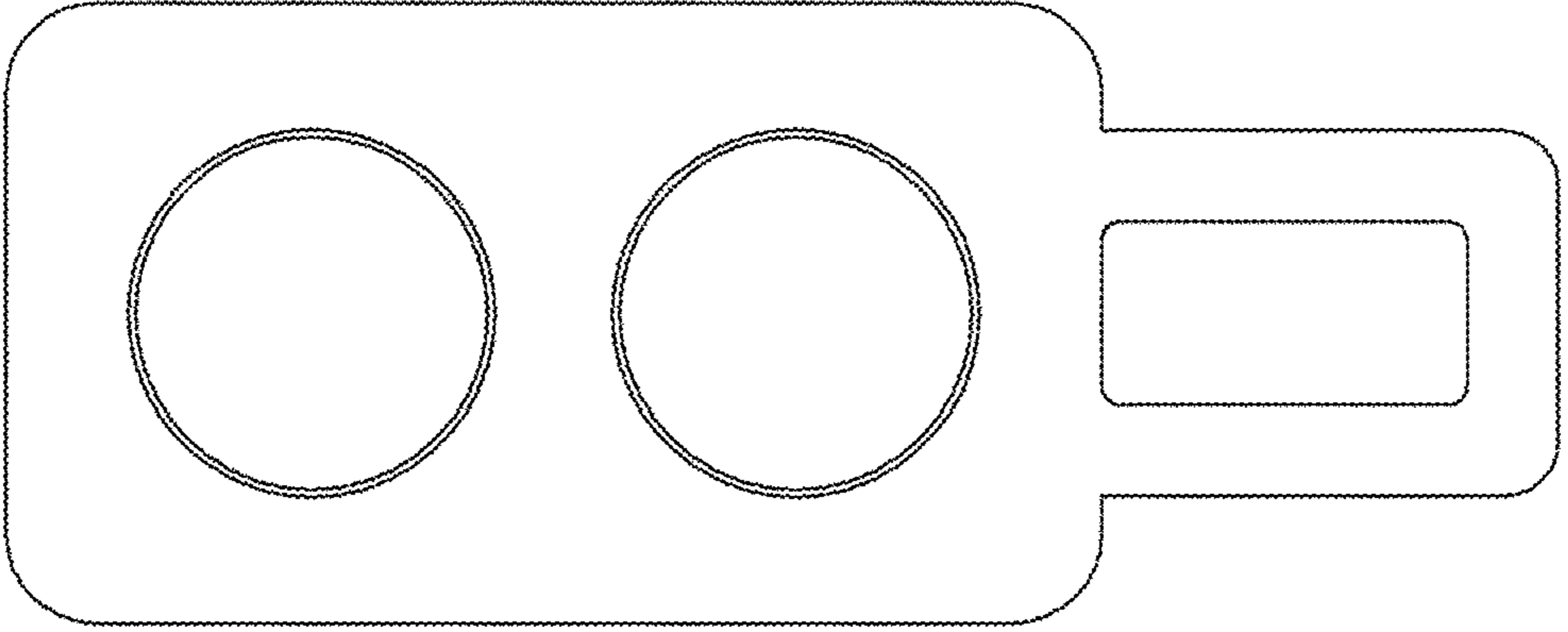


FIG. 7

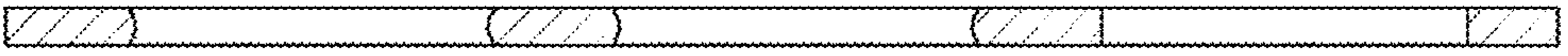


FIG. 8

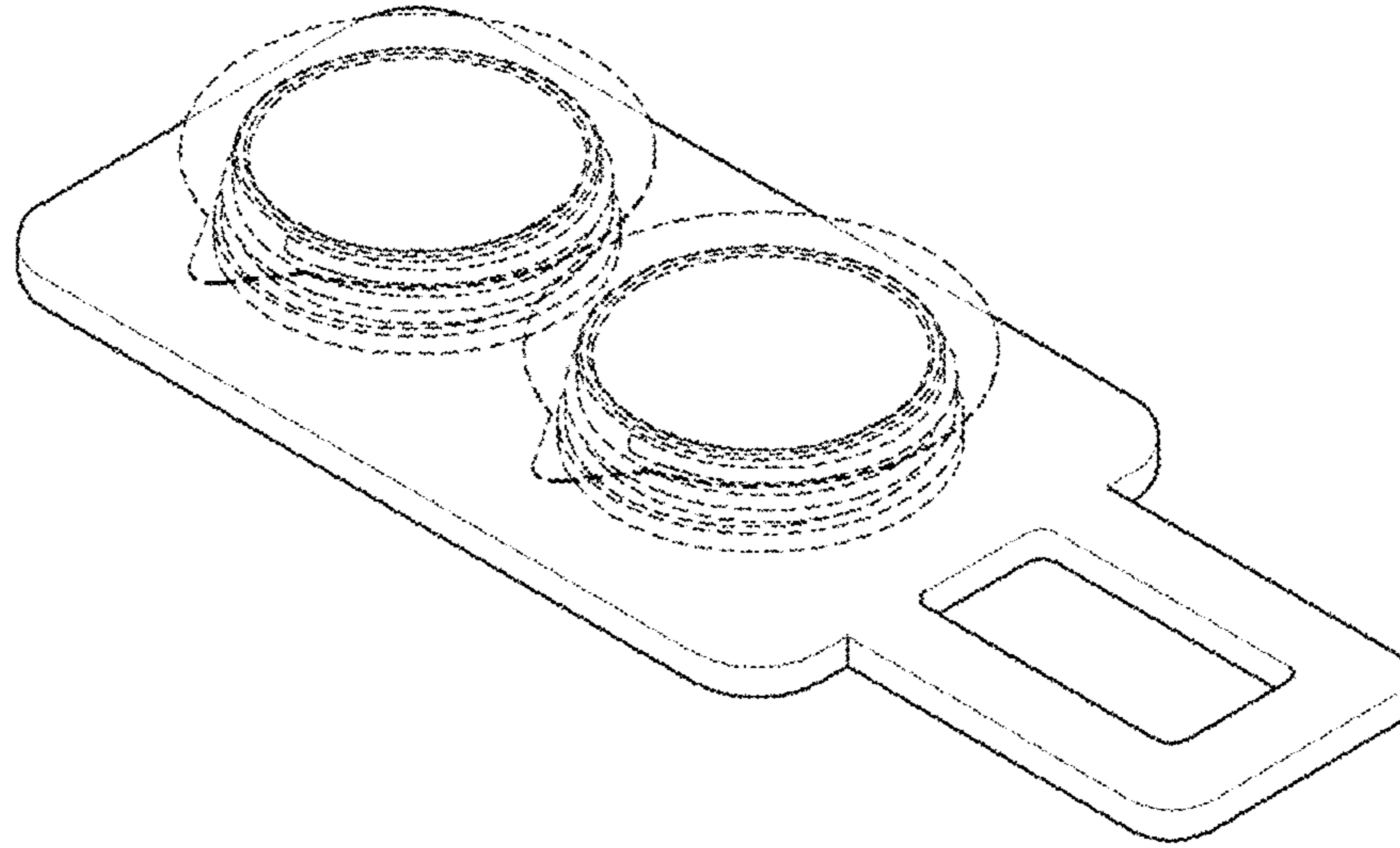


FIG. 9

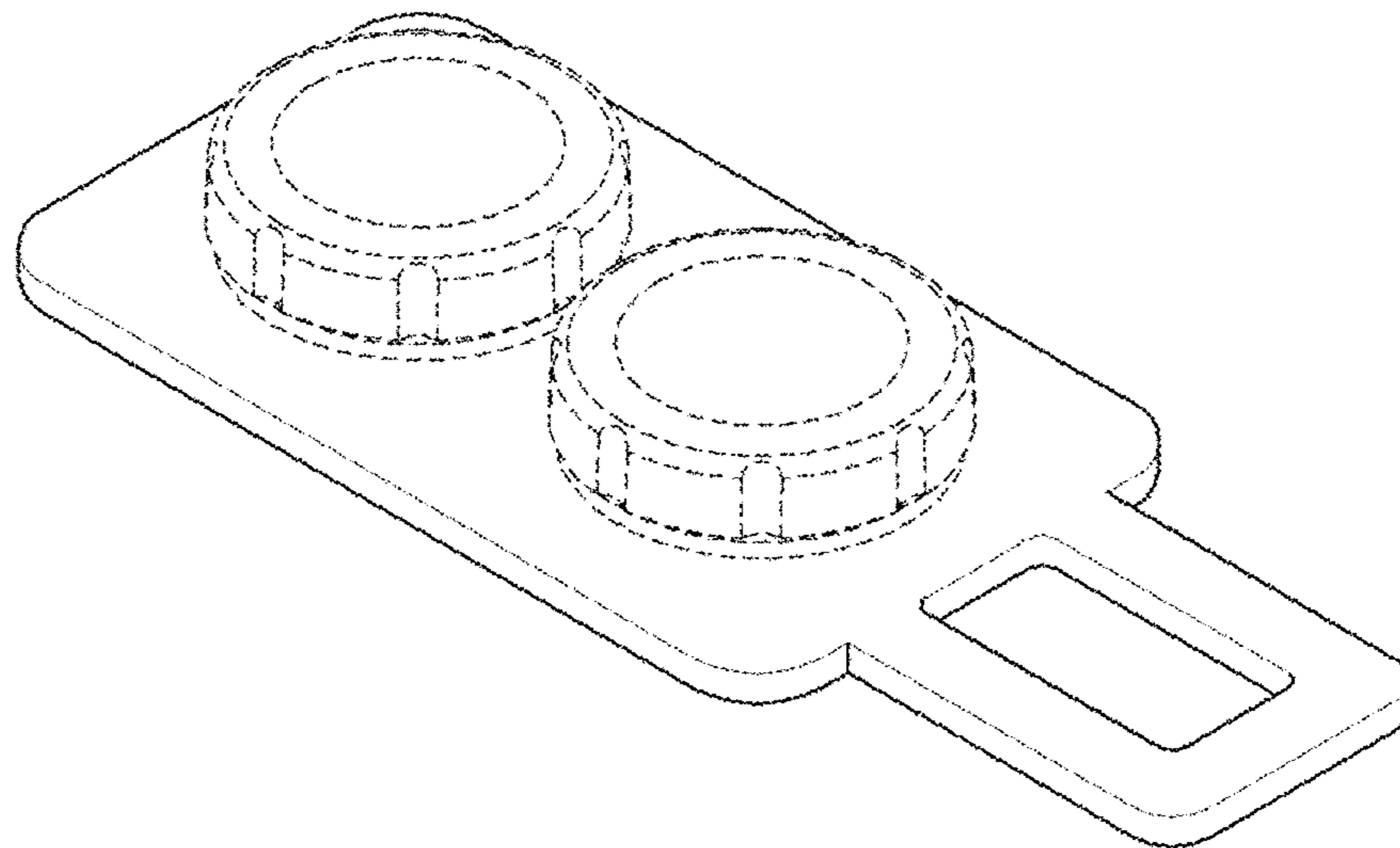


FIG. 10