



US00D908353S

(12) **United States Design Patent** (10) **Patent No.:** **US D908,353 S**
Peng (45) **Date of Patent:** **** Jan. 26, 2021**

(54) **PHONE CASE**

(71) Applicant: **Wei Peng**, Kaiyun (CN)

(72) Inventor: **Wei Peng**, Kaiyun (CN)

(**) Term: **15 Years**

(21) Appl. No.: **29/702,906**

(22) Filed: **Aug. 22, 2019**

(51) **LOC (13) Cl.** **03-01**

(52) **U.S. Cl.**
USPC **D3/249**

(58) **Field of Classification Search**
USPC D3/247, 249–253; D14/250–251
CPC A45C 1/06; A45C 13/10; A45C 13/30;
A45C 11/00; A45C 13/002; A45C
13/005; A45C 2011/002
See application file for complete search history.

(56) **References Cited**

U.S. PATENT DOCUMENTS

D793,082 S *	8/2017	Zhang	D3/249
D793,725 S *	8/2017	Zhang	D3/249
D793,726 S *	8/2017	Zhang	D3/249
D794,952 S *	8/2017	Feng	D3/247
D820,822 S *	6/2018	Wright	D14/250
D856,671 S *	8/2019	Li	D3/249
D869,843 S *	12/2019	Zhou	D3/249

* cited by examiner

Primary Examiner — Holly H Baynham

(74) *Attorney, Agent, or Firm* — Law Offices of Steven W. Weinrieb

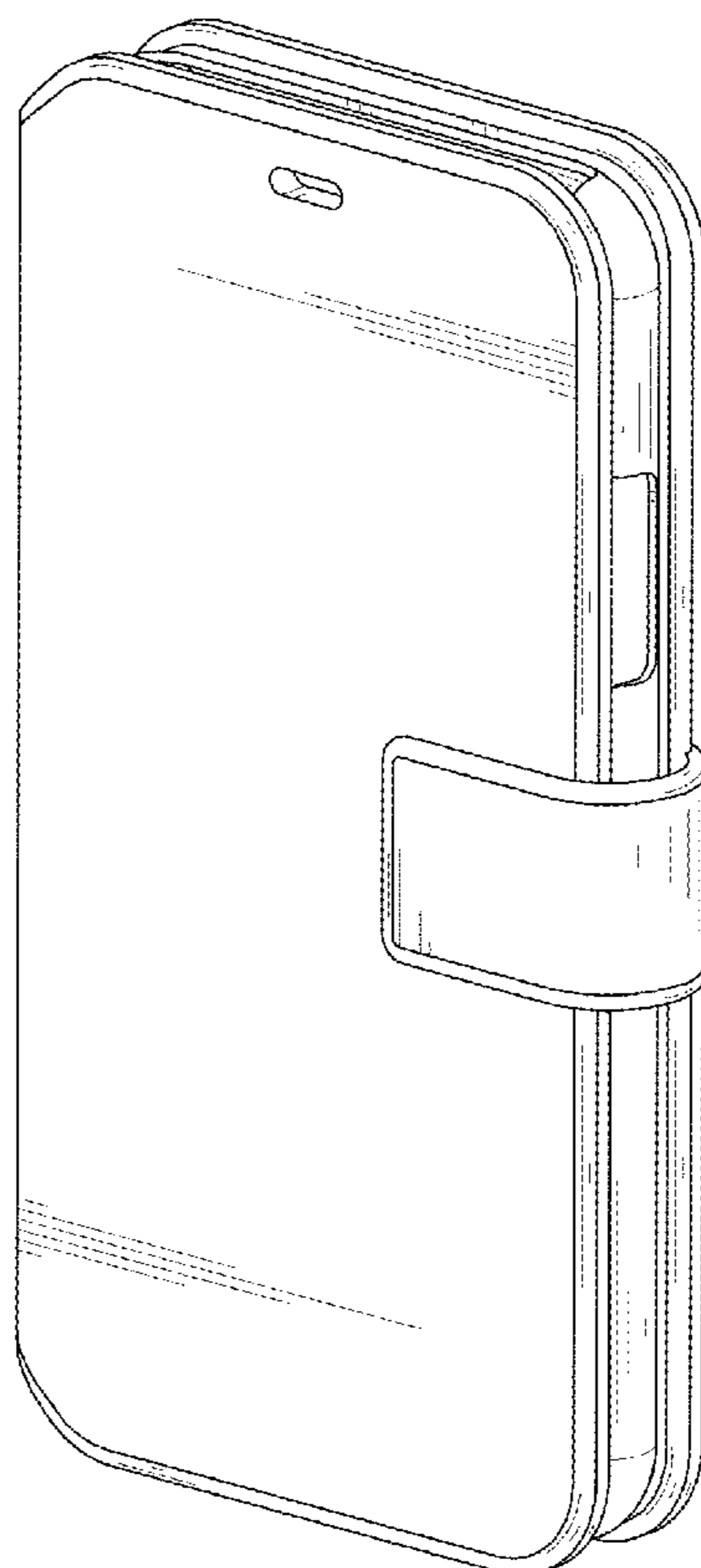
(57) **CLAIM**

The ornamental design for a phone case, as shown and described.

DESCRIPTION

FIG. 1 is a front, right side, top perspective view of a phone case showing my new design;
FIG. 2 is a rear, left side, bottom perspective view thereof;
FIG. 3 is a front elevational view thereof;
FIG. 4 is a rear elevational view thereof;
FIG. 5 is a left side elevational view thereof;
FIG. 6 is a right side elevational view thereof;
FIG. 7 is a top plan view thereof;
FIG. 8 is a bottom plan view thereof;
FIG. 9 is a front, right side, top perspective view thereof when the phone case is unfolded; and,
FIG. 10 is a front, right side, top perspective view thereof when the phone case is unfolded and is separated from the phone.
The broken lines immediately adjacent to the claimed portions are boundaries, all other broken lines are environmental structures; all the broken lines form no part of the claimed design.

1 Claim, 10 Drawing Sheets



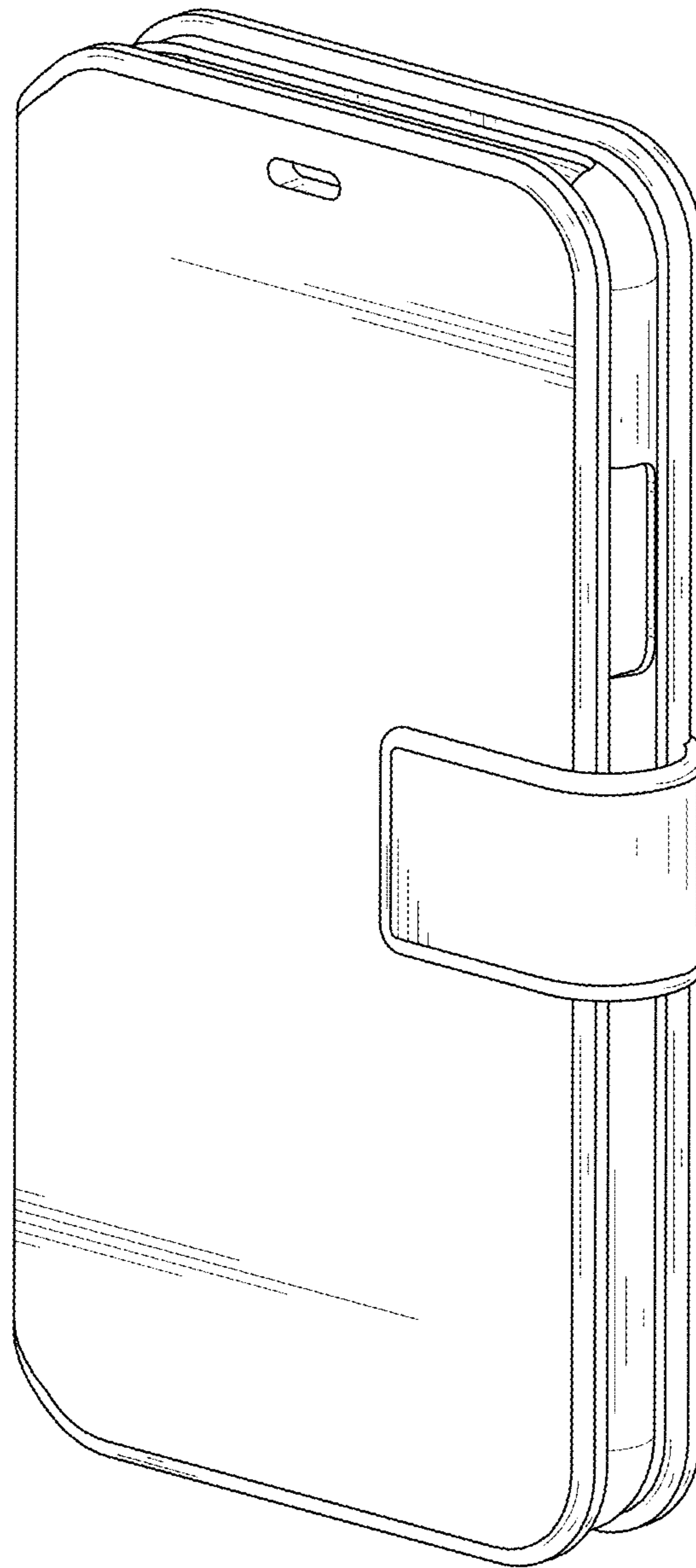


FIG. 1

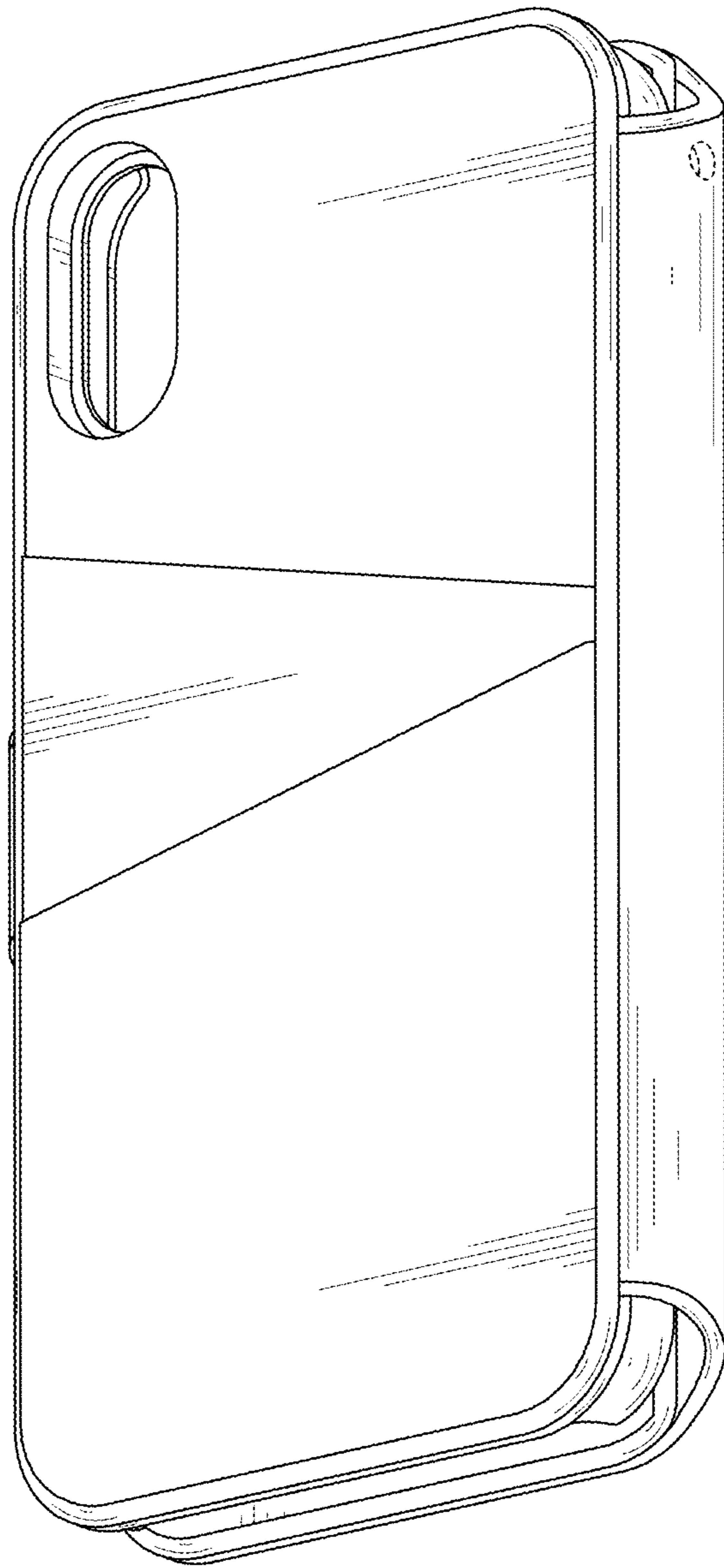


FIG. 2

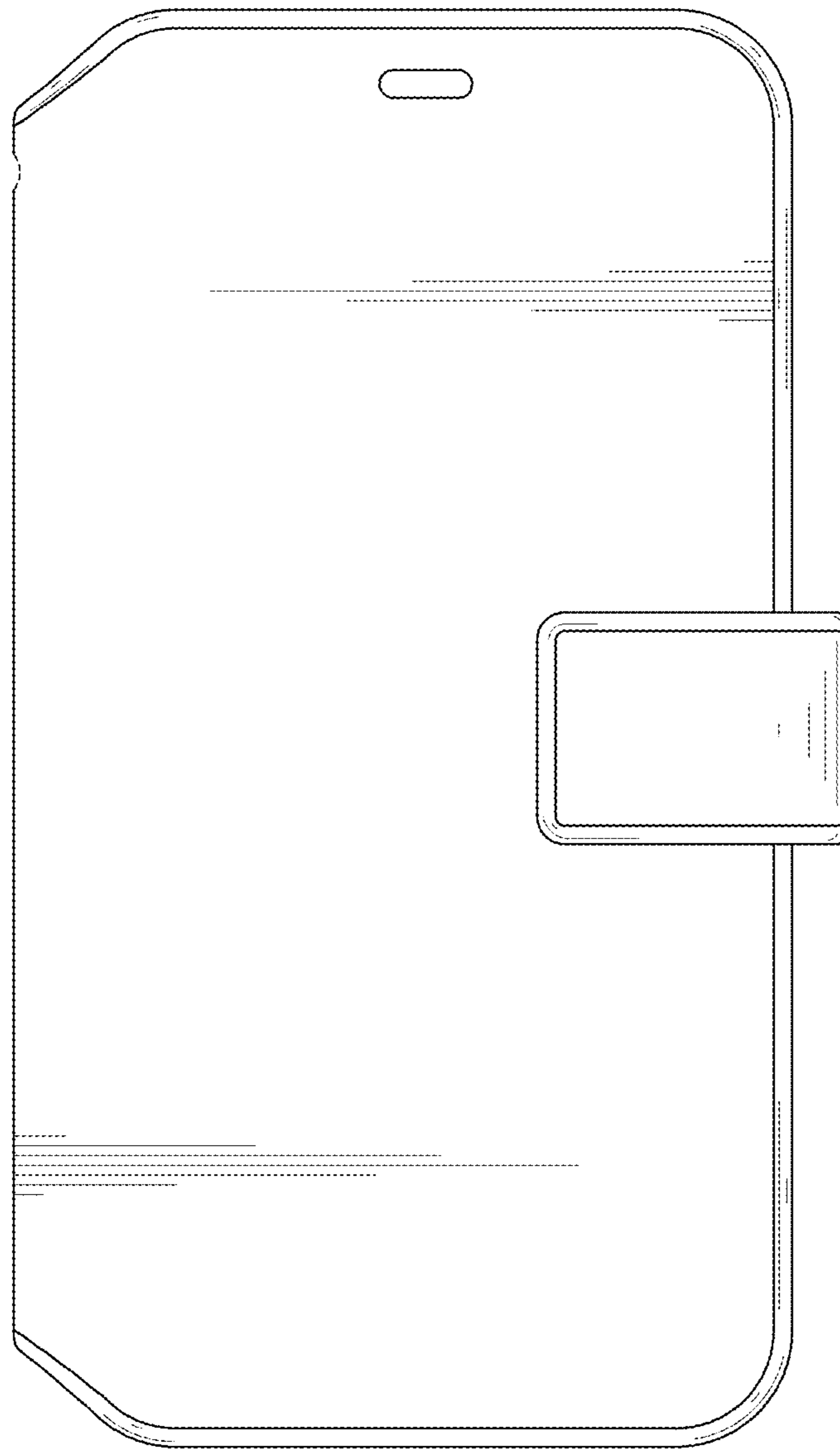


FIG. 3

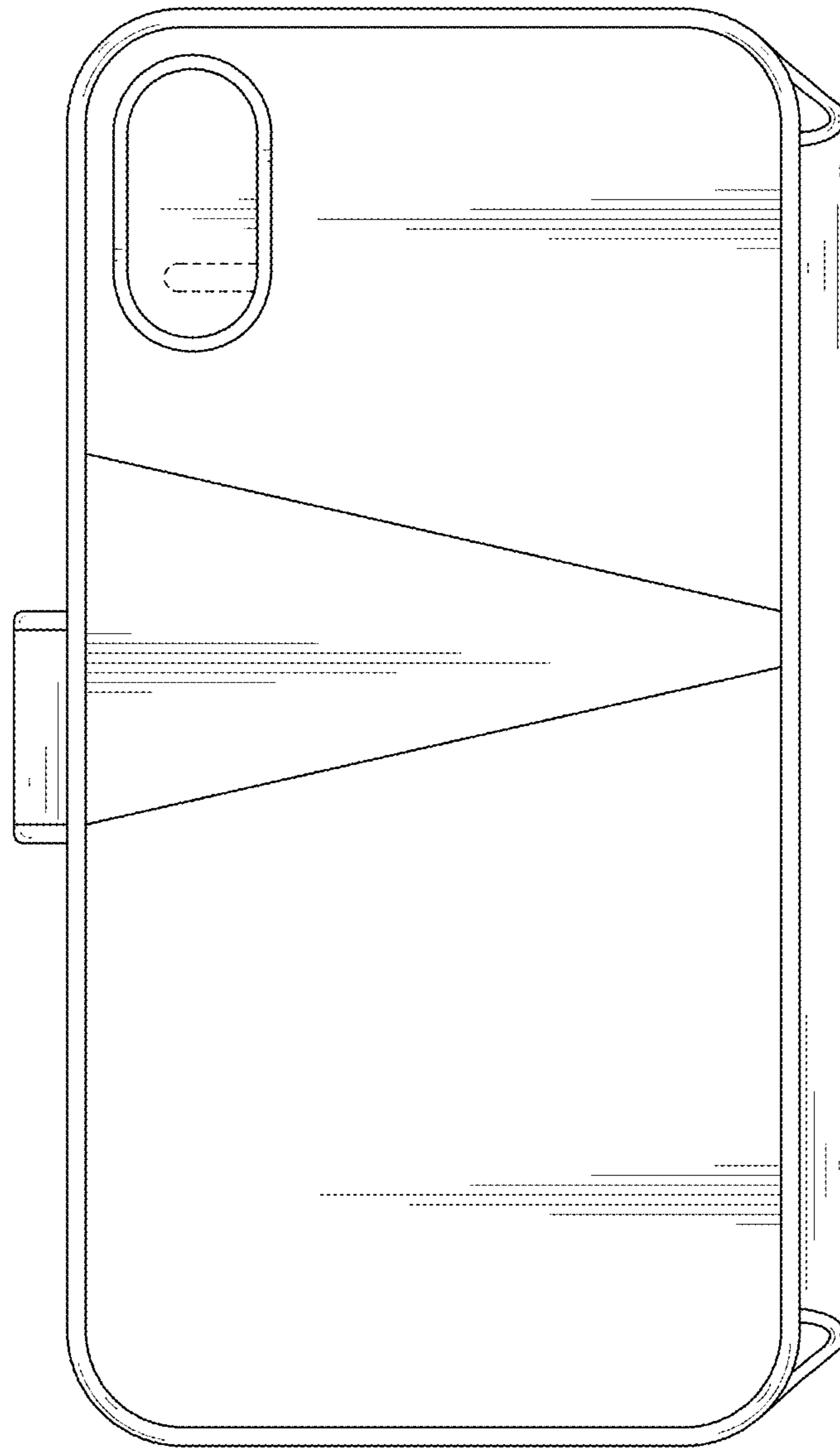


FIG. 4

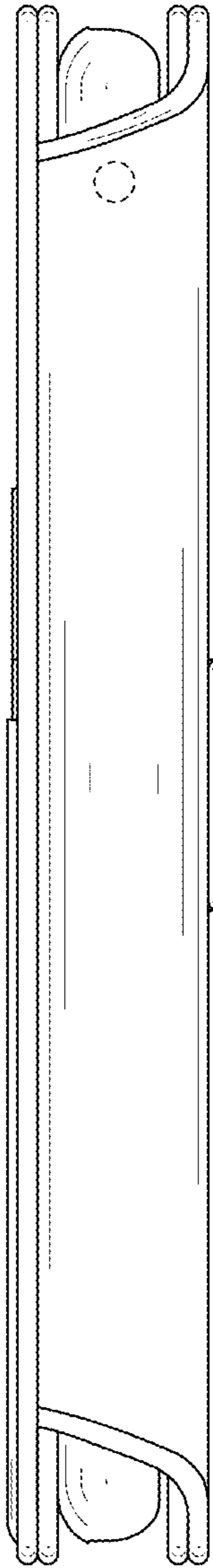


FIG. 5

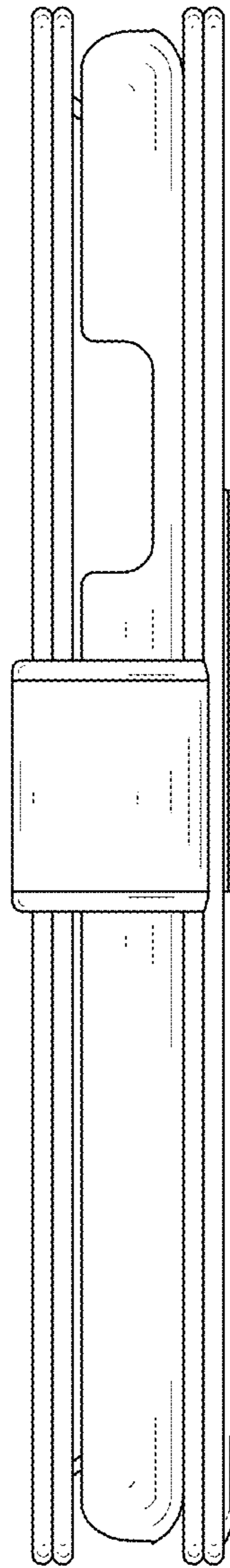


FIG. 6

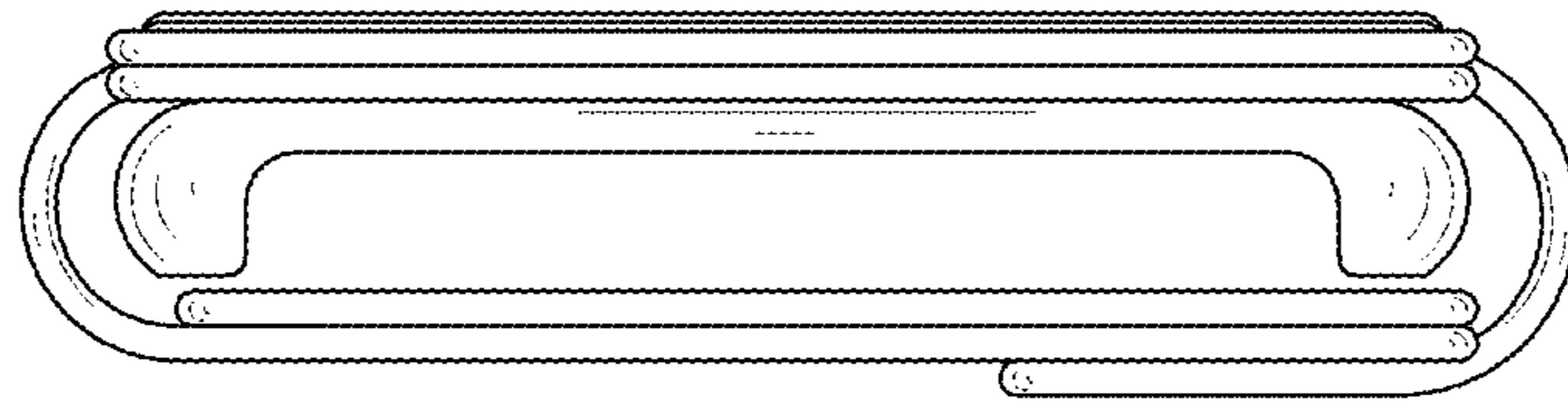


FIG. 7

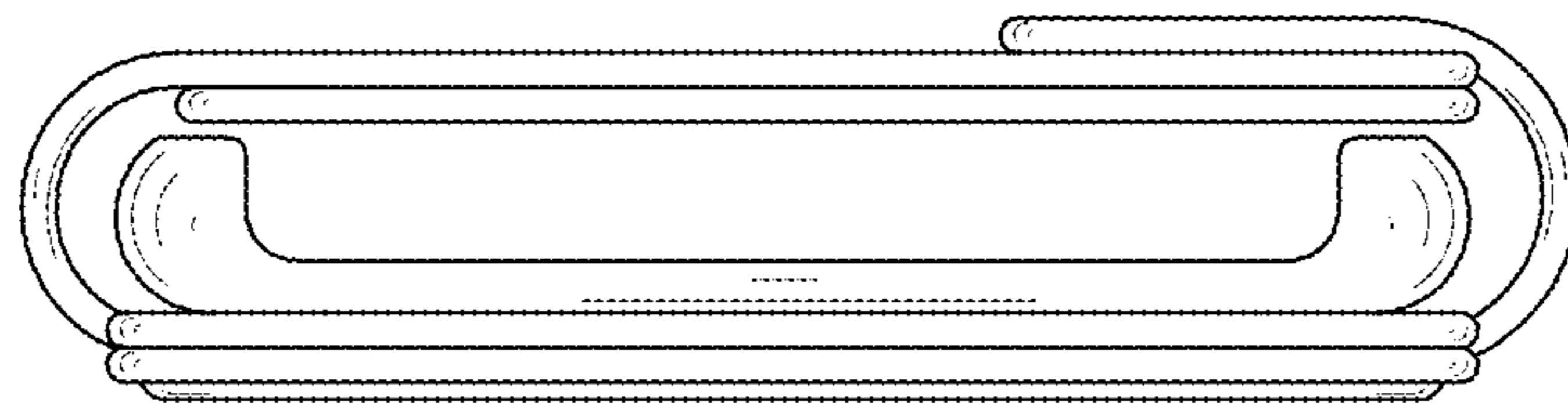


FIG. 8

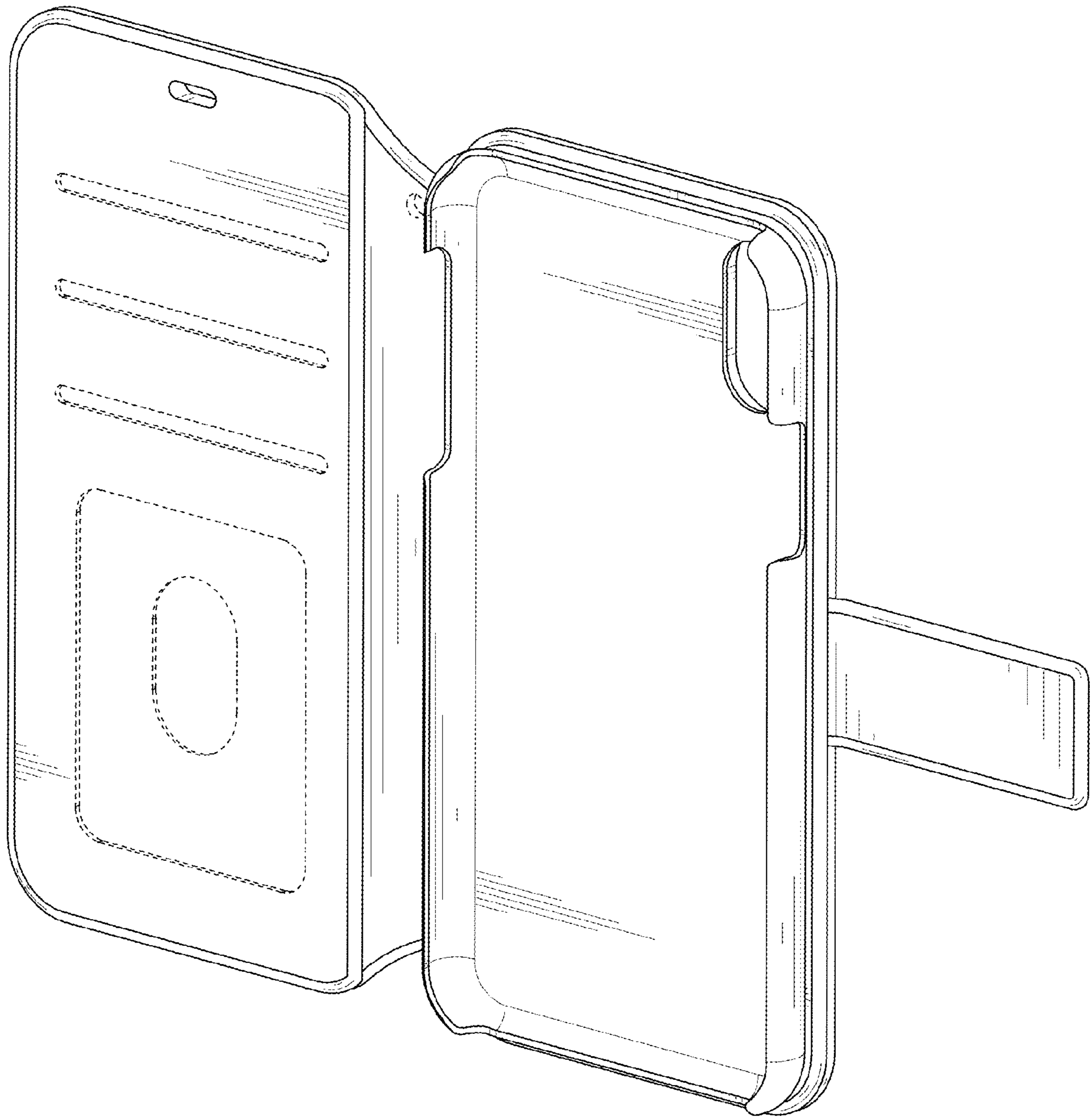


FIG. 9

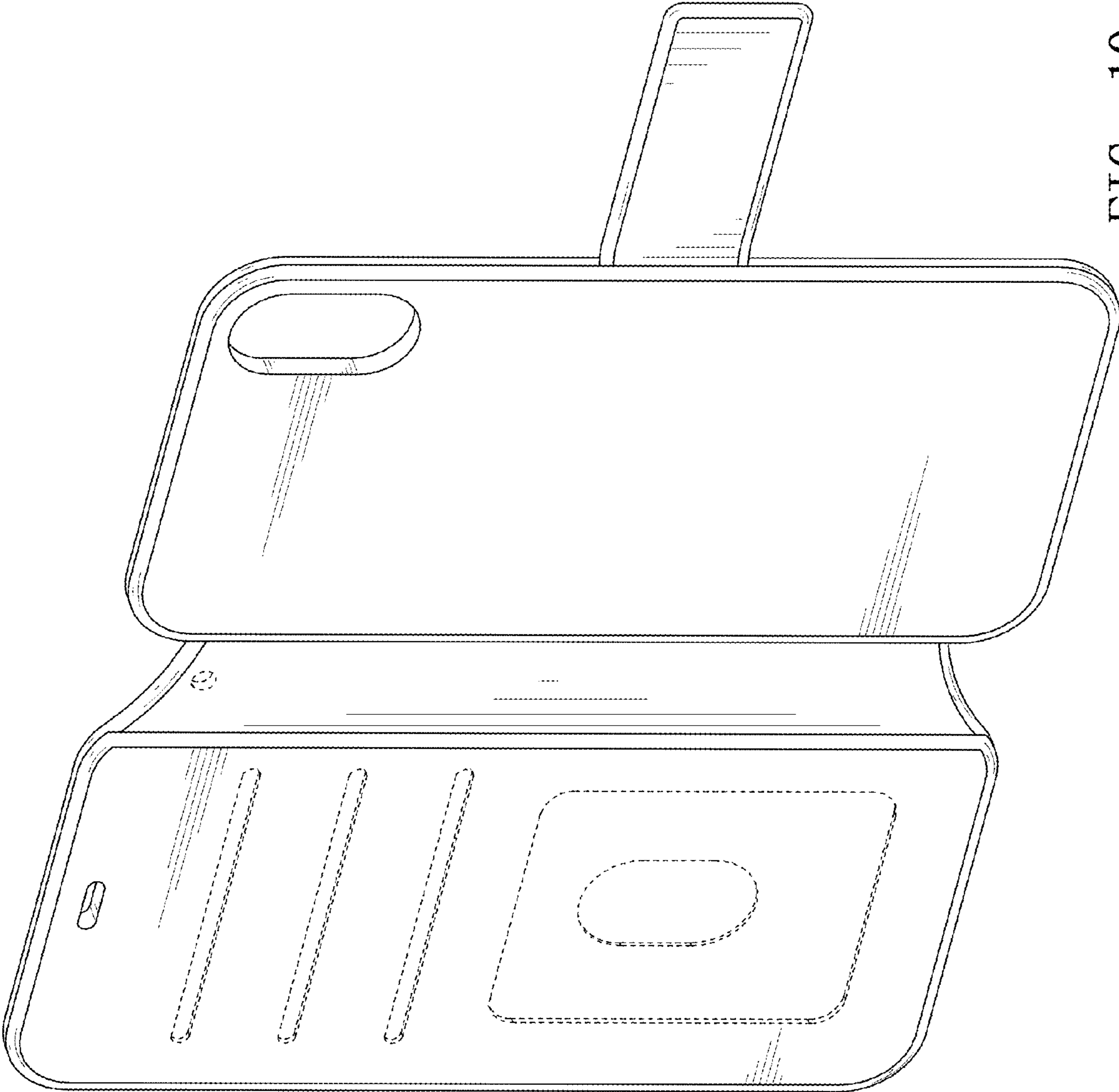
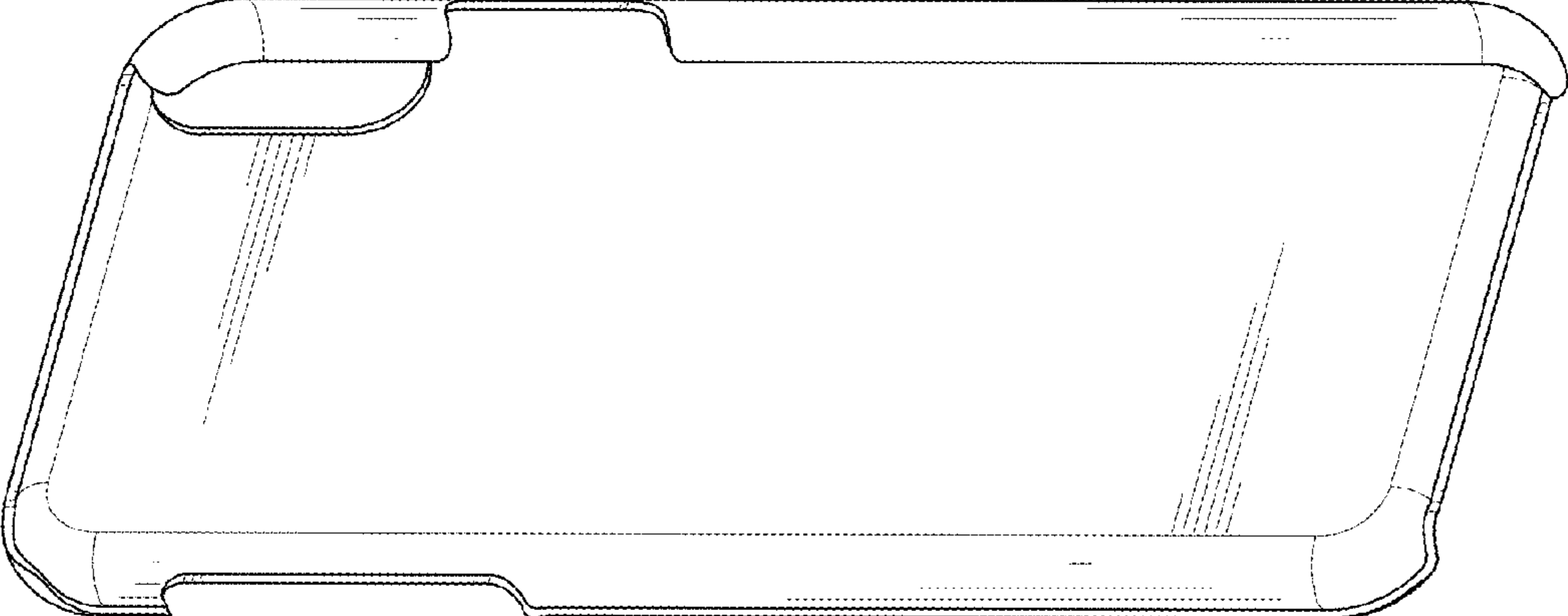


FIG. 10