



US00D908351S

(12) **United States Design Patent** (10) **Patent No.:** **US D908,351 S**  
**Hoffman** (45) **Date of Patent:** **\*\* Jan. 26, 2021**

(54) **MINIMALIST WALLET**

(71) Applicant: **Christopher Hoffman**, Bayonne, NJ  
(US)

(72) Inventor: **Christopher Hoffman**, Bayonne, NJ  
(US)

(\*\*) Term: **15 Years**

(21) Appl. No.: **29/704,741**

(22) Filed: **Sep. 6, 2019**

(51) **LOC (13) Cl.** ..... **03-01**

(52) **U.S. Cl.**  
USPC ..... **D3/247**

(58) **Field of Classification Search**  
USPC ..... D3/247, 249–253  
CPC ..... A45C 1/06; A45C 11/00; A45C 13/002;  
A45C 13/005; A45C 13/30; A45C  
2011/002  
See application file for complete search history.

(56) **References Cited**

**U.S. PATENT DOCUMENTS**

D308,291 S	6/1990	O'Neal	
D372,358 S	8/1996	Mathison	
D409,464 S	5/1999	Garza	
D411,766 S	7/1999	Veros, Sr.	
D429,068 S	8/2000	Kleinsmith	
D434,899 S	12/2000	Kojoori	
D435,339 S *	12/2000	Cleveland	A45C 1/06 D3/247
6,427,836 B1	8/2002	Bolanos	
7,117,990 B2	10/2006	Sarif	

(Continued)

**FOREIGN PATENT DOCUMENTS**

CN	106217315 A	12/2016
DE	9210013 U1	3/1993

(Continued)

*Primary Examiner* — Holly H Baynham

(74) *Attorney, Agent, or Firm* — Gearhart Law LLC

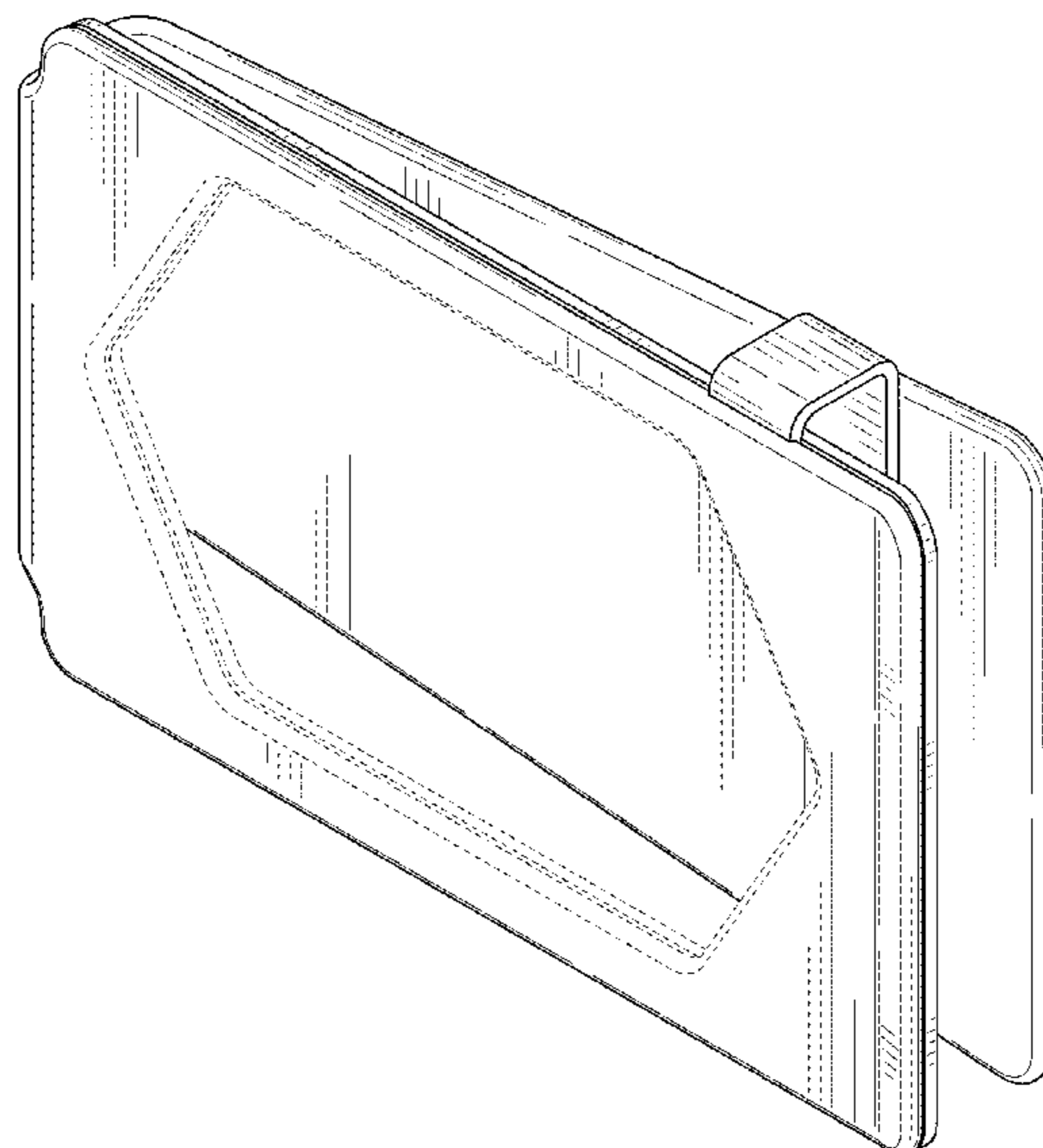
(57) **CLAIM**

The ornamental design for a minimalist wallet, as shown and described.

**DESCRIPTION**

FIG. 1 is a front perspective view of a first embodiment of the minimalist wallet.  
 FIG. 2 is a front view as shown in FIG. 1.  
 FIG. 3 is a back view as shown in FIG. 1.  
 FIG. 4 is a right side view as shown in FIG. 1.  
 FIG. 5 is a left side view as shown in FIG. 1.  
 FIG. 6 is a top view as shown in FIG. 1.  
 FIG. 7 is a bottom view as shown in FIG. 1.  
 FIG. 8 is a rear perspective view as shown in FIG. 1.  
 FIG. 9 is a front perspective view of a second embodiment of the minimalist wallet.  
 FIG. 10 is a front view as shown in FIG. 9.  
 FIG. 11 is a back view as shown in FIG. 9.  
 FIG. 12 is a right side view as shown in FIG. 9.  
 FIG. 13 is a left side view as shown in FIG. 9.  
 FIG. 14 is a top view as shown in FIG. 9.  
 FIG. 15 is a bottom view as shown in FIG. 9.  
 FIG. 16 is a rear perspective view as shown in FIG. 9.  
 FIG. 17 is a front perspective view of a third embodiment of the minimalist wallet.  
 FIG. 18 is a front view as shown in FIG. 17.  
 FIG. 19 is a back view as shown in FIG. 17.  
 FIG. 20 is a right side view as shown in FIG. 17.  
 FIG. 21 is a left side view as shown in FIG. 17.  
 FIG. 22 is a top view as shown in FIG. 17.  
 FIG. 23 is a bottom view as shown in FIG. 17; and,  
 FIG. 24 is a rear perspective view as shown in FIG. 17.  
 The dashed lines present in the drawings are to define an opening in a panel, stitching, and section(s) of a panel of the minimalist wallet and form no part of the claimed design.

**1 Claim, 12 Drawing Sheets**



(56)

References Cited

U.S. PATENT DOCUMENTS

D527,899 S 12/2006 Morehead  
 D538,704 S 3/2007 Kaminski  
 D551,446 S 9/2007 Elnekaveh  
 D552,008 S 10/2007 McGarity  
 D581,311 S 11/2008 Cornett  
 D591,044 S 4/2009 Lakhiani  
 D592,987 S 5/2009 McGarity et al.  
 D602,689 S 10/2009 Hewitt  
 D622,957 S 9/2010 Marshall  
 D639,552 S \* 6/2011 Du ..... D3/249  
 D653,851 S 2/2012 Flyvholm  
 D668,045 S 10/2012 Robbins  
 D683,960 S 6/2013 Robbins  
 D684,362 S 6/2013 Robbins  
 D688,586 S 8/2013 Tobin  
 D691,367 S 10/2013 Chappell  
 D703,949 S 5/2014 Chappell  
 D710,741 S 8/2014 Hirschorn  
 D717,197 S 11/2014 Kinsky  
 D719,143 S 12/2014 Vidovic  
 D754,434 S \* 4/2016 DeChant ..... D3/247  
 9,314,074 B2 4/2016 Johnson et al.  
 D755,513 S \* 5/2016 DeChant ..... D3/247  
 D756,643 S \* 5/2016 DeChant ..... D3/247  
 D758,724 S 6/2016 Guest  
 D760,496 S \* 7/2016 Schioll ..... D3/247  
 D775,824 S 1/2017 King

D780,449 S 3/2017 King  
 D794,328 S 8/2017 King  
 D798,591 S 10/2017 King  
 9,826,810 B2 11/2017 Singer  
 D806,386 S 1/2018 King  
 D808,158 S 1/2018 King  
 D809,792 S 2/2018 Moon  
 D835,410 S 12/2018 Chan  
 D842,604 S \* 3/2019 Bo ..... D3/247  
 D842,605 S \* 3/2019 Bo ..... D3/247  
 D862,082 S \* 10/2019 Lange ..... D3/249  
 2006/0201594 A1 9/2006 Carmichael  
 2010/0122438 A1 5/2010 Amron  
 2013/0056119 A1 3/2013 Henriette  
 2015/0059937 A1 3/2015 Singer  
 2015/0083289 A1 3/2015 Johnson et al.  
 2016/0324283 A1 11/2016 Kane  
 2017/0135452 A1 5/2017 Kane  
 2018/0064223 A1 3/2018 Singer  
 2018/0116352 A1 5/2018 Despain

FOREIGN PATENT DOCUMENTS

DE 4323105 A1 1/1995  
 DE 10250656 A1 5/2004  
 EP 1425985 A2 6/2004  
 KR 19980013021 U 6/1998  
 WO 2016179586 A1 11/2016

\* cited by examiner

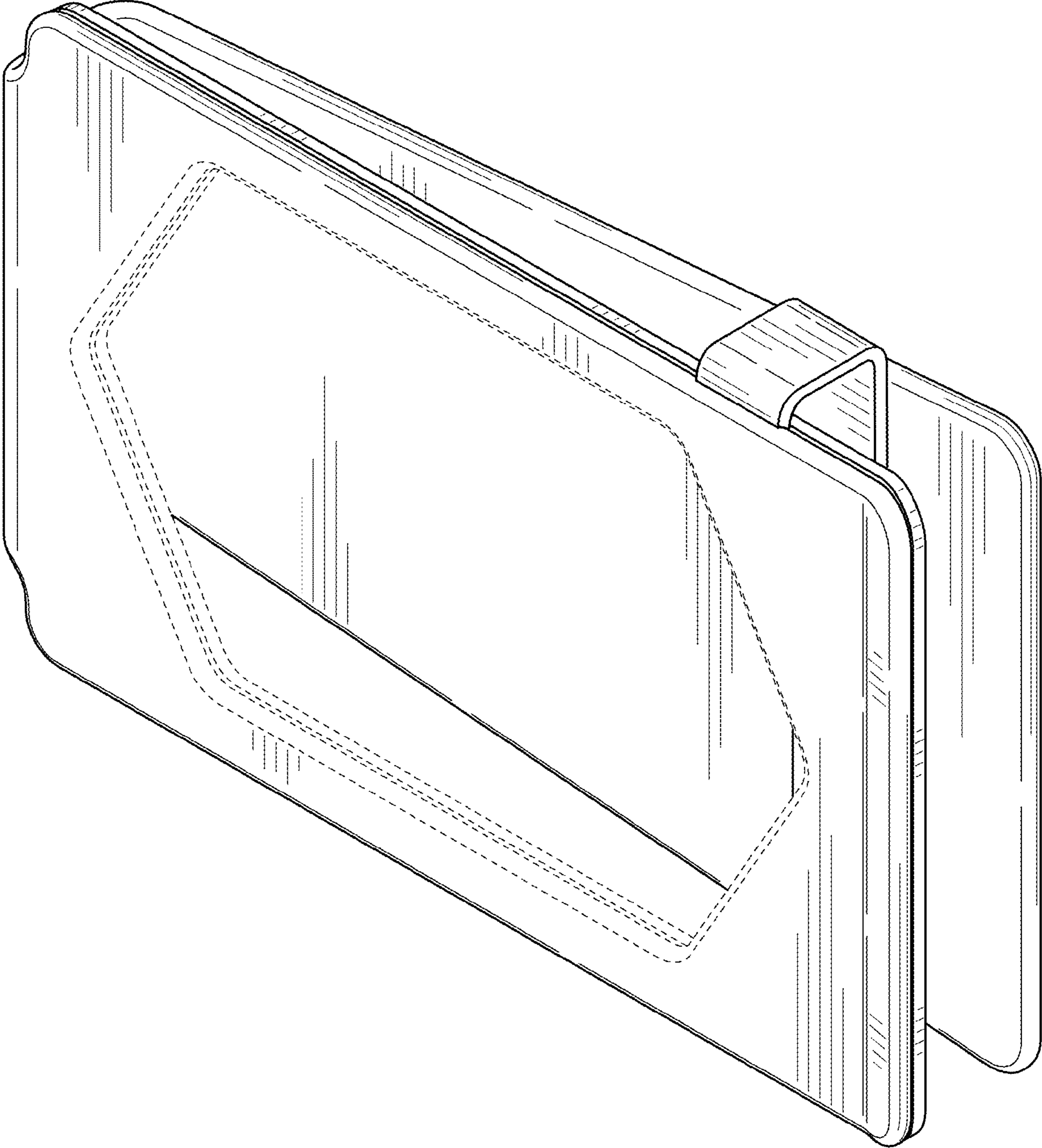


FIG. 1

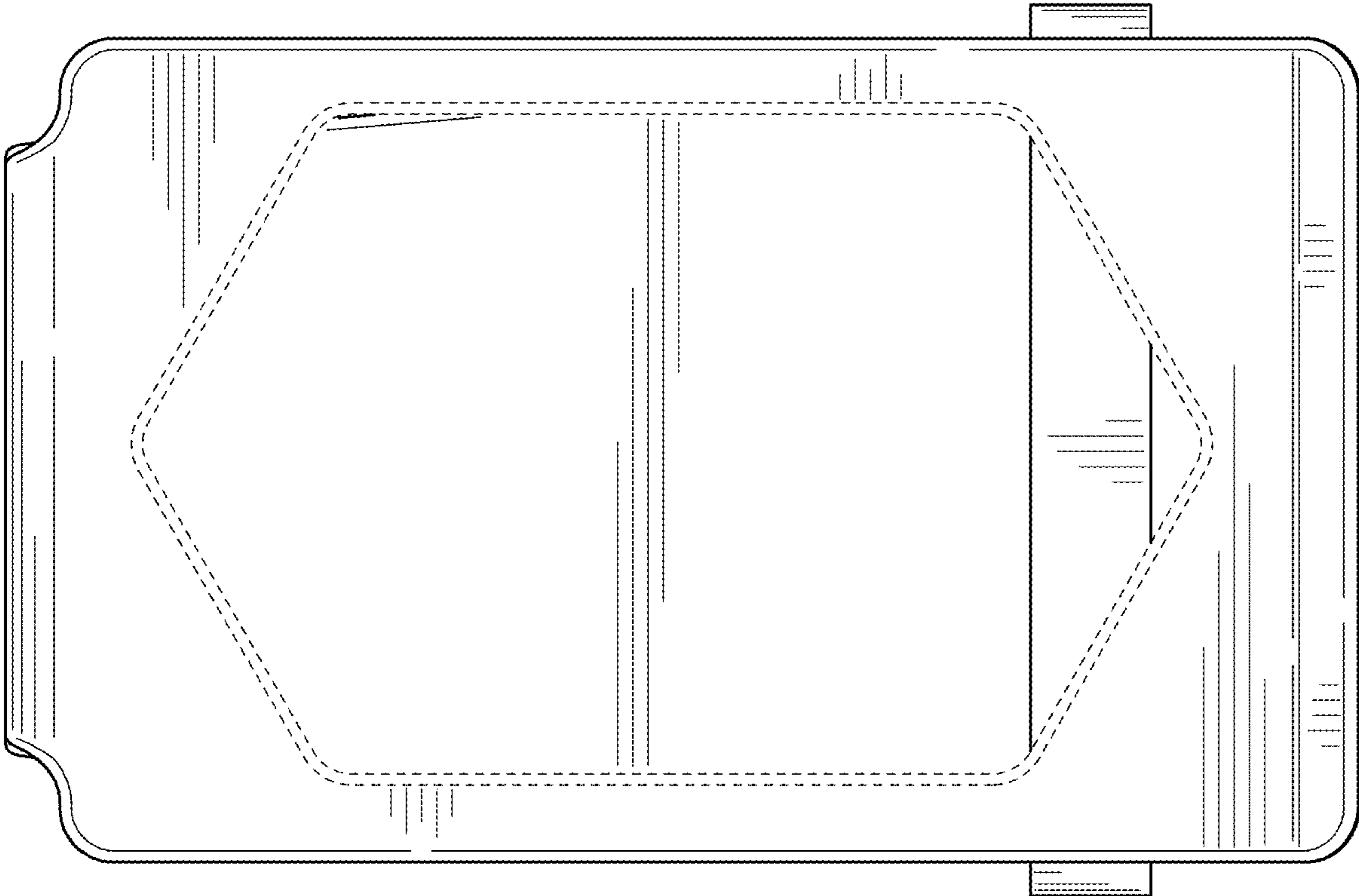


FIG. 2

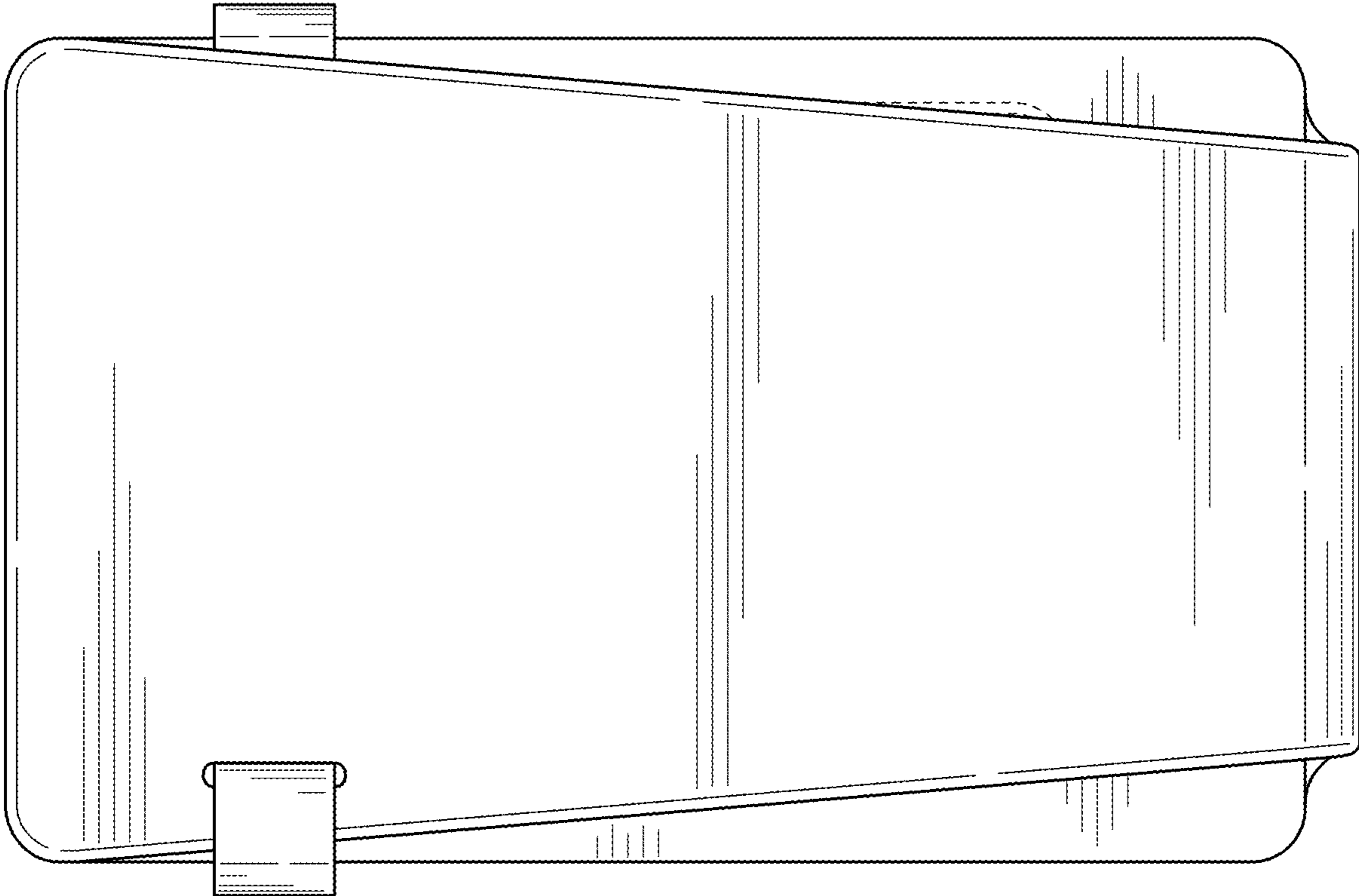


FIG. 3

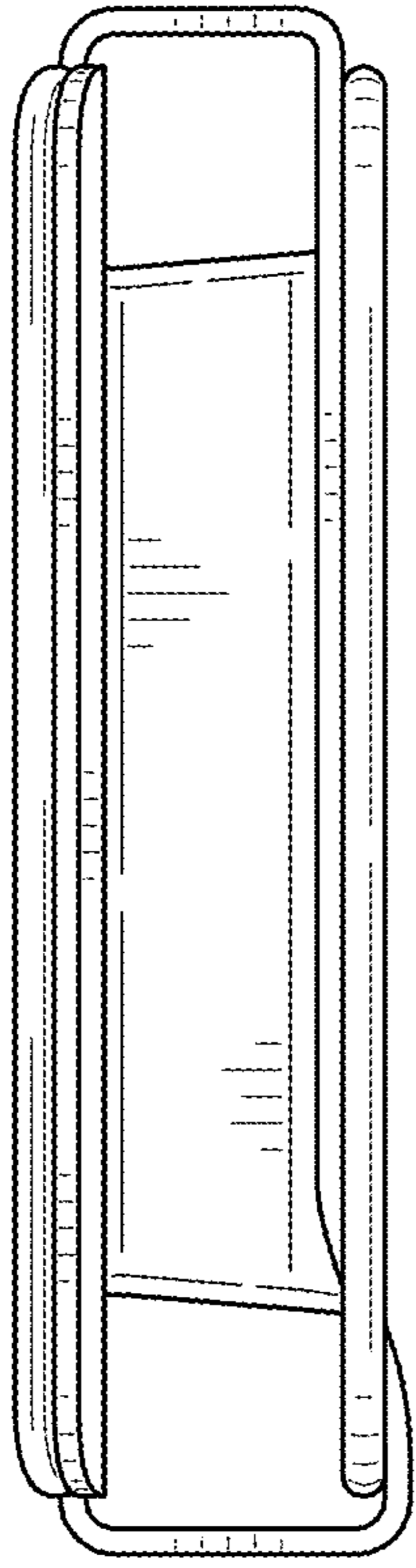


FIG. 4

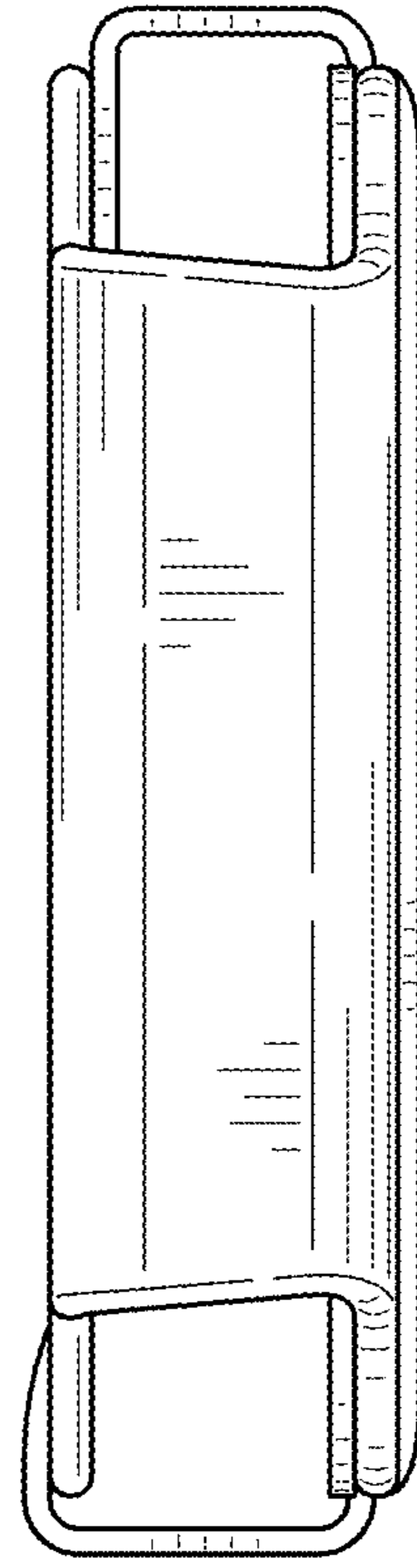


FIG. 5

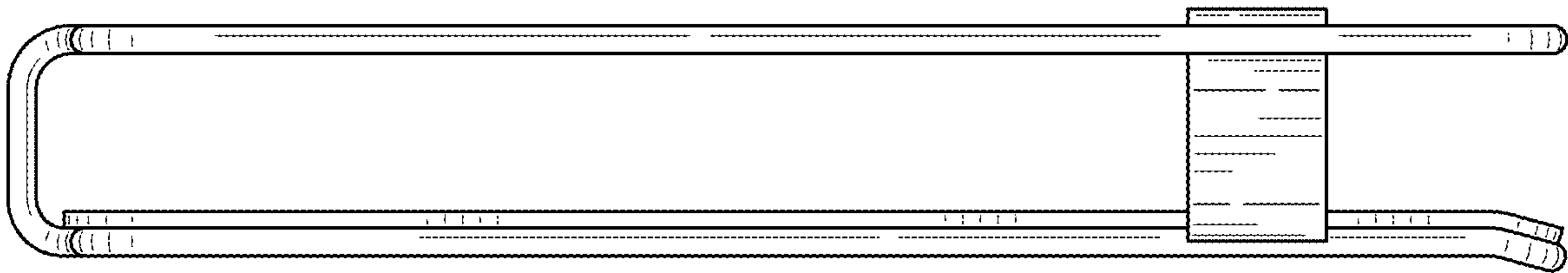


FIG. 6

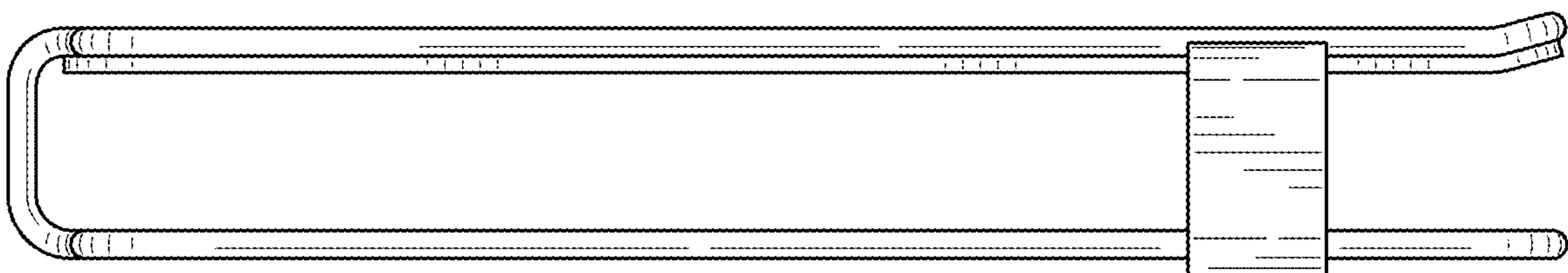


FIG. 7

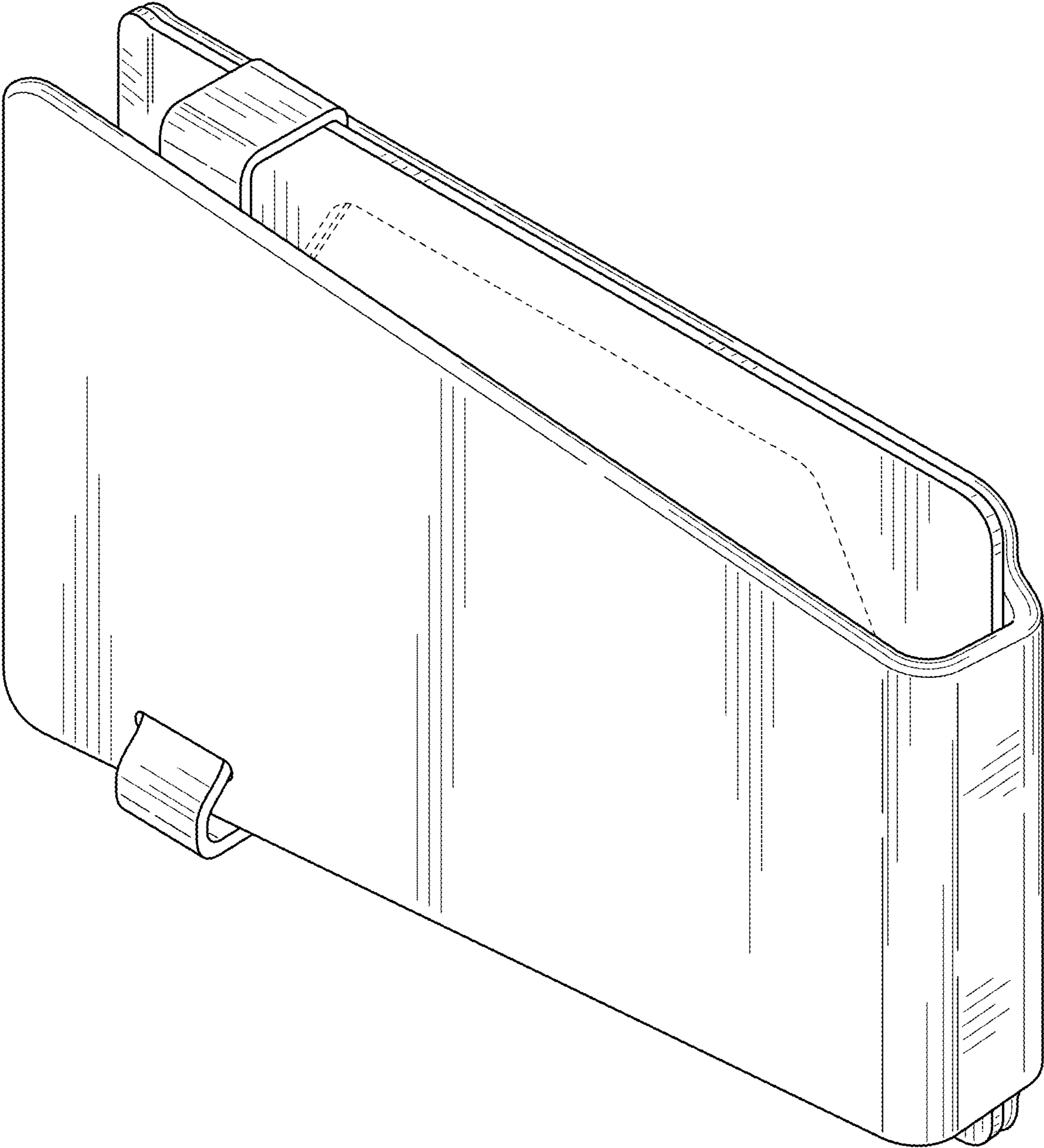


FIG. 8

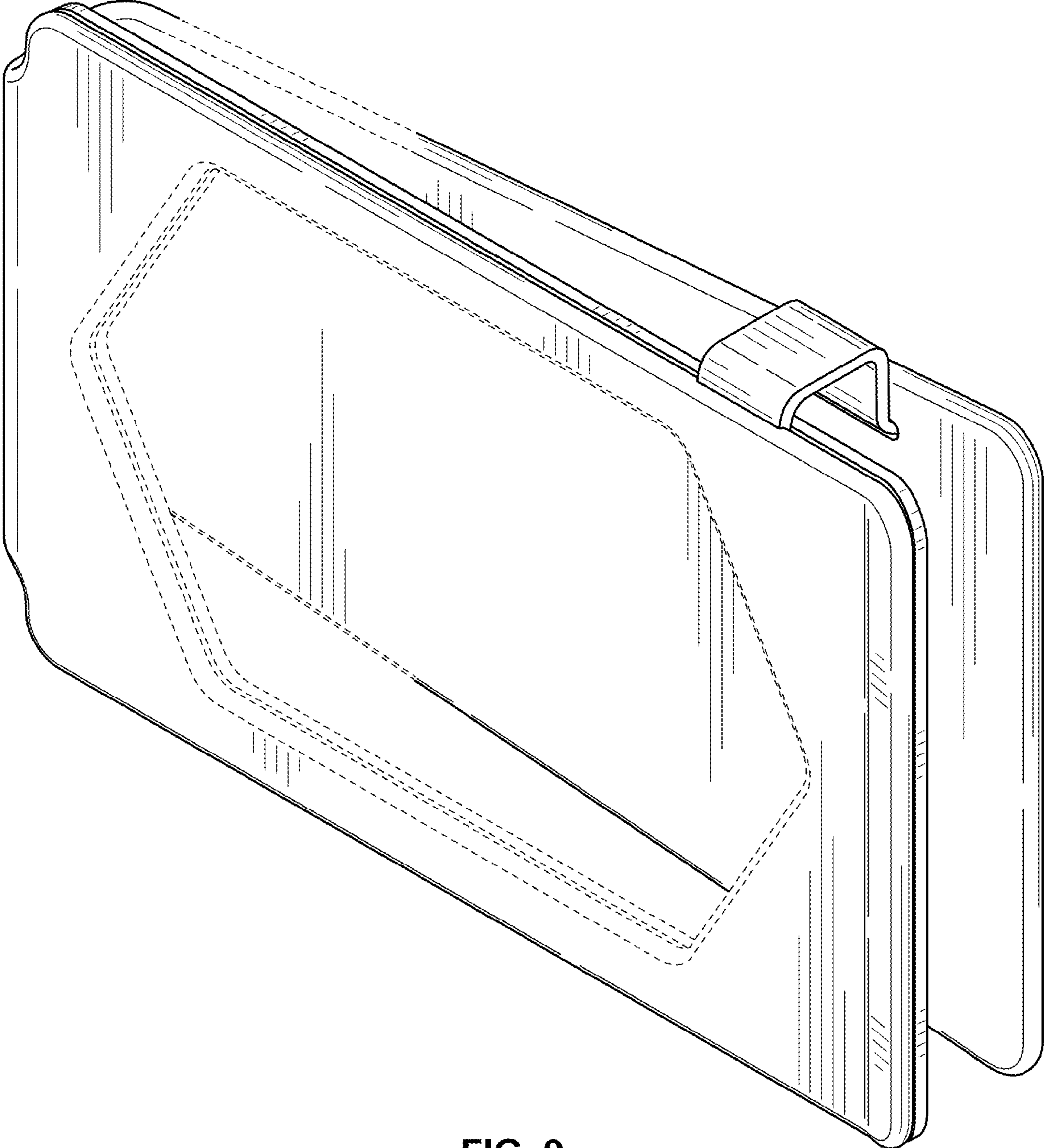


FIG. 9

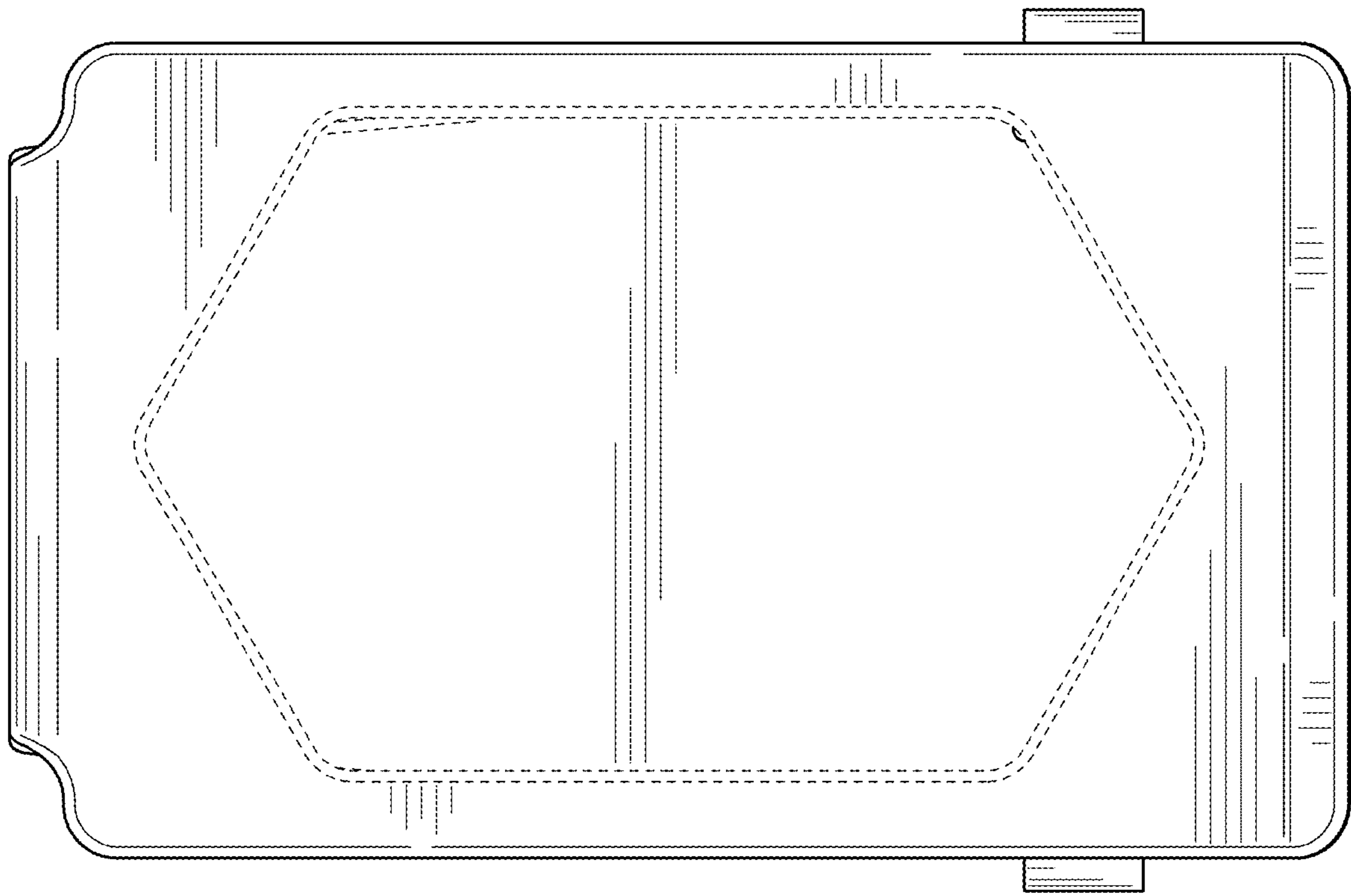


FIG. 10

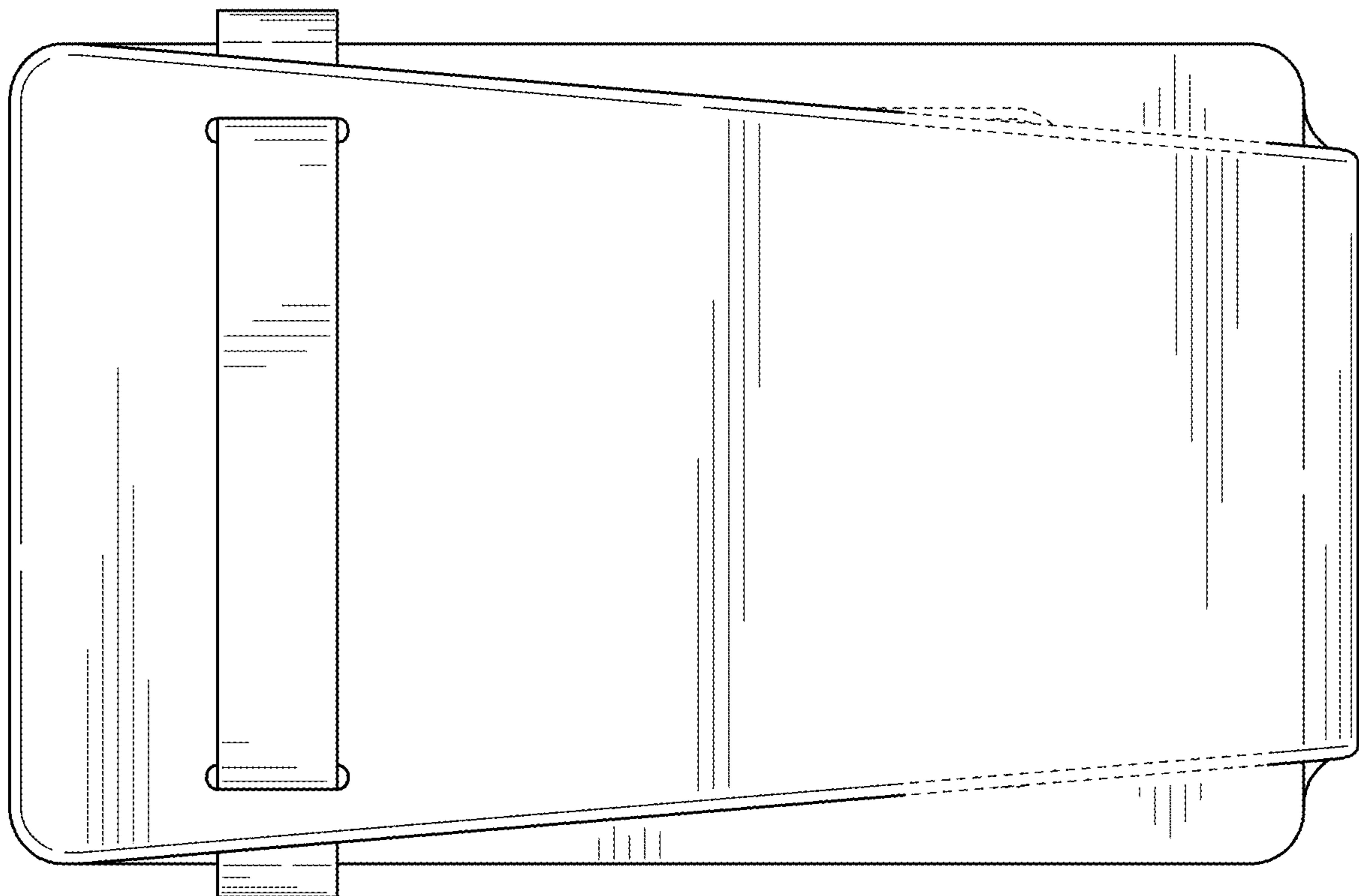


FIG. 11



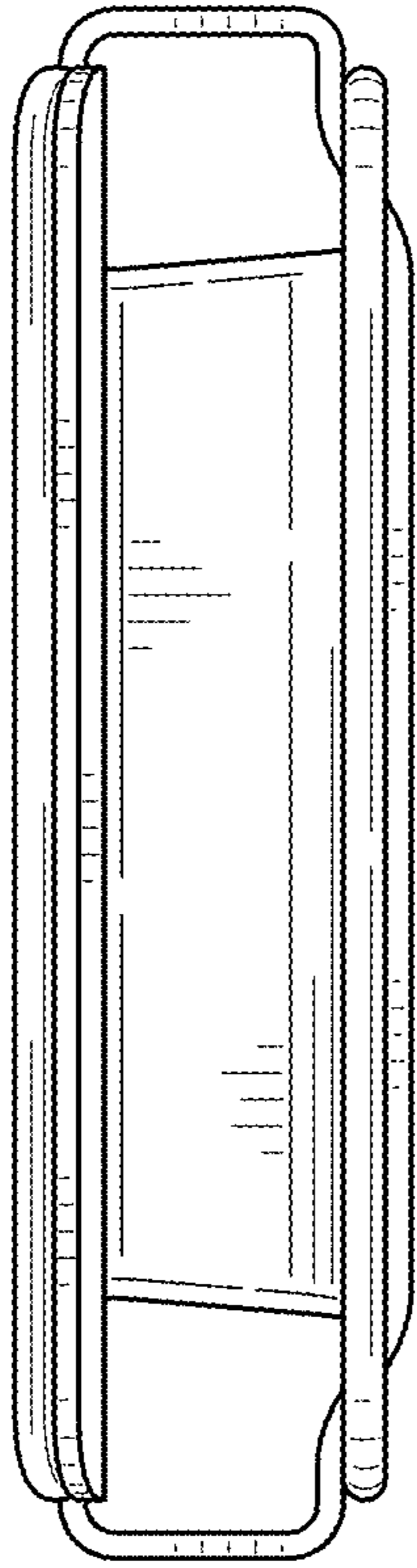


FIG. 12

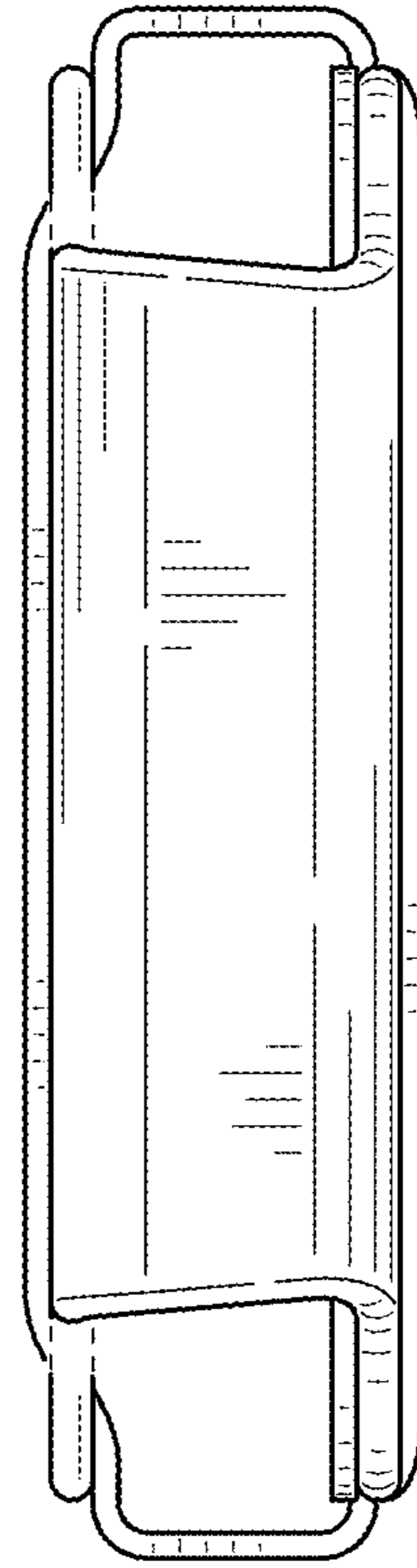


FIG. 13

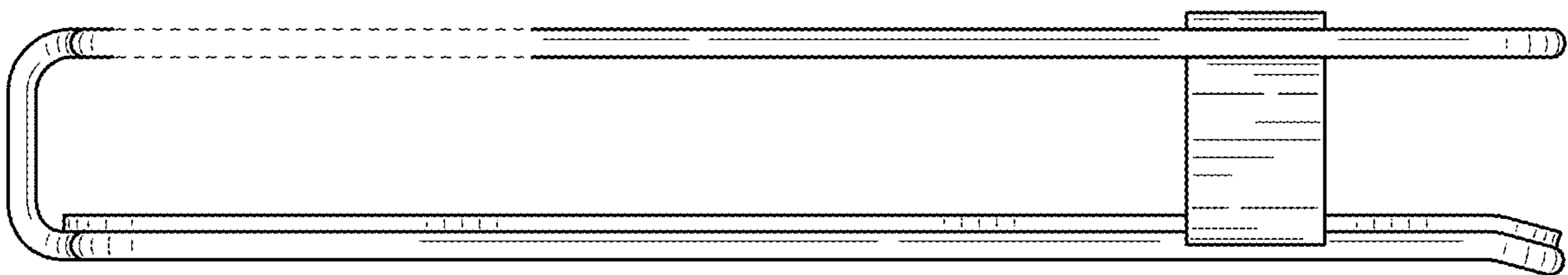


FIG. 14

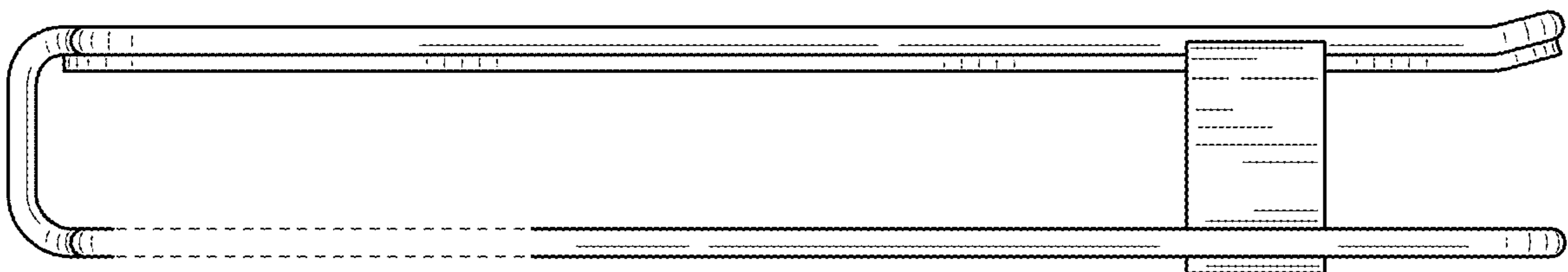


FIG. 15

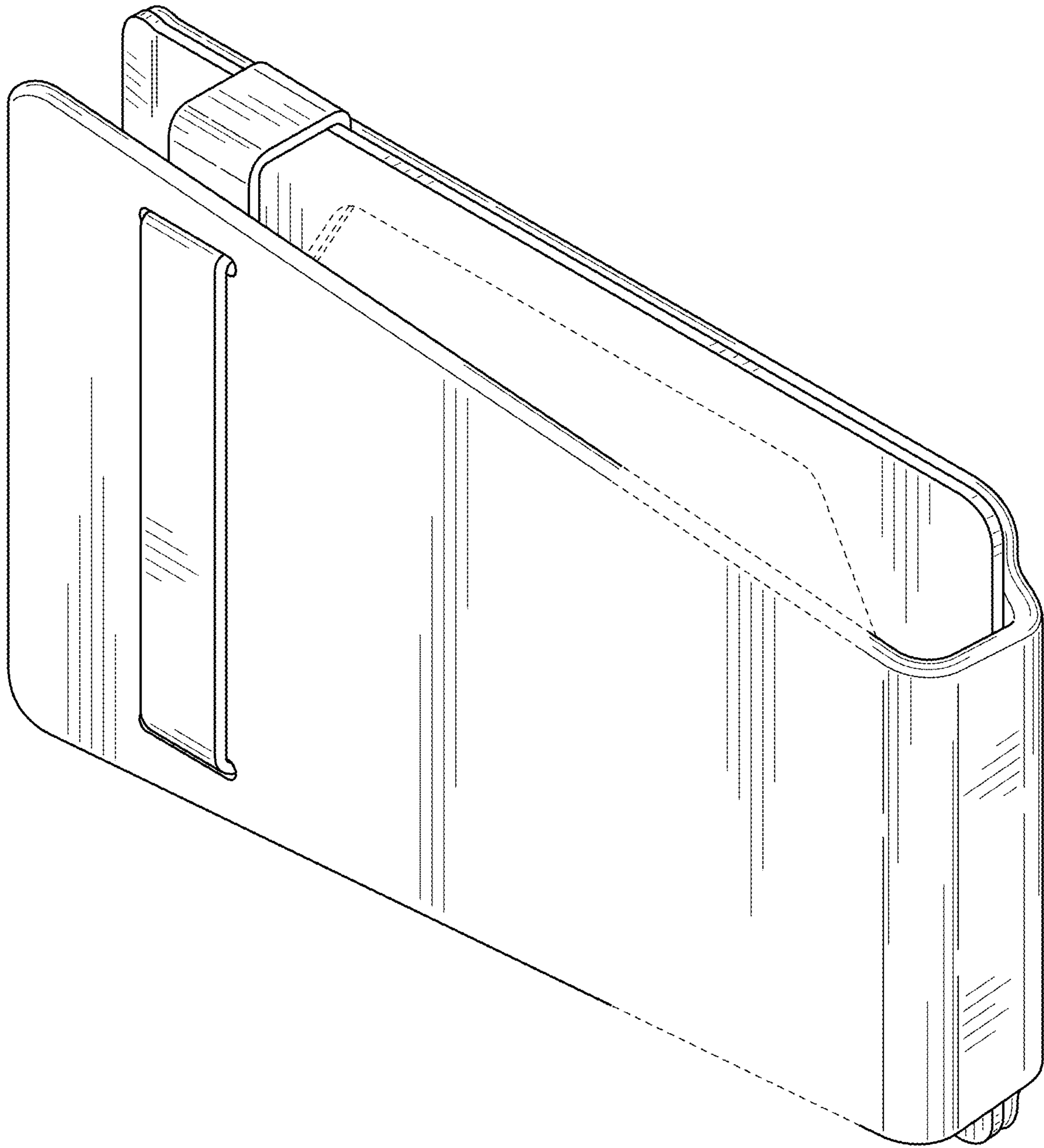


FIG. 16

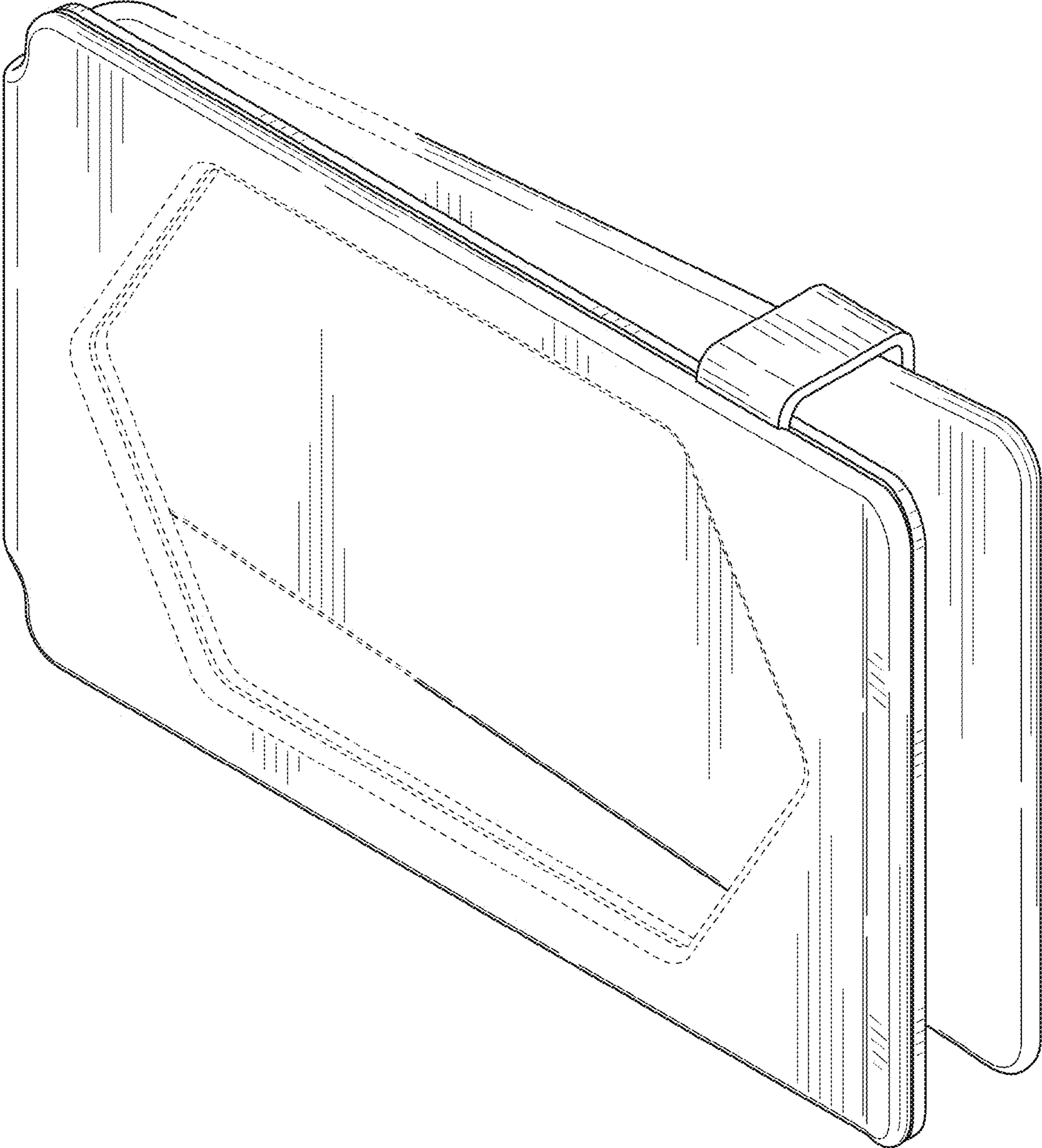


FIG. 17

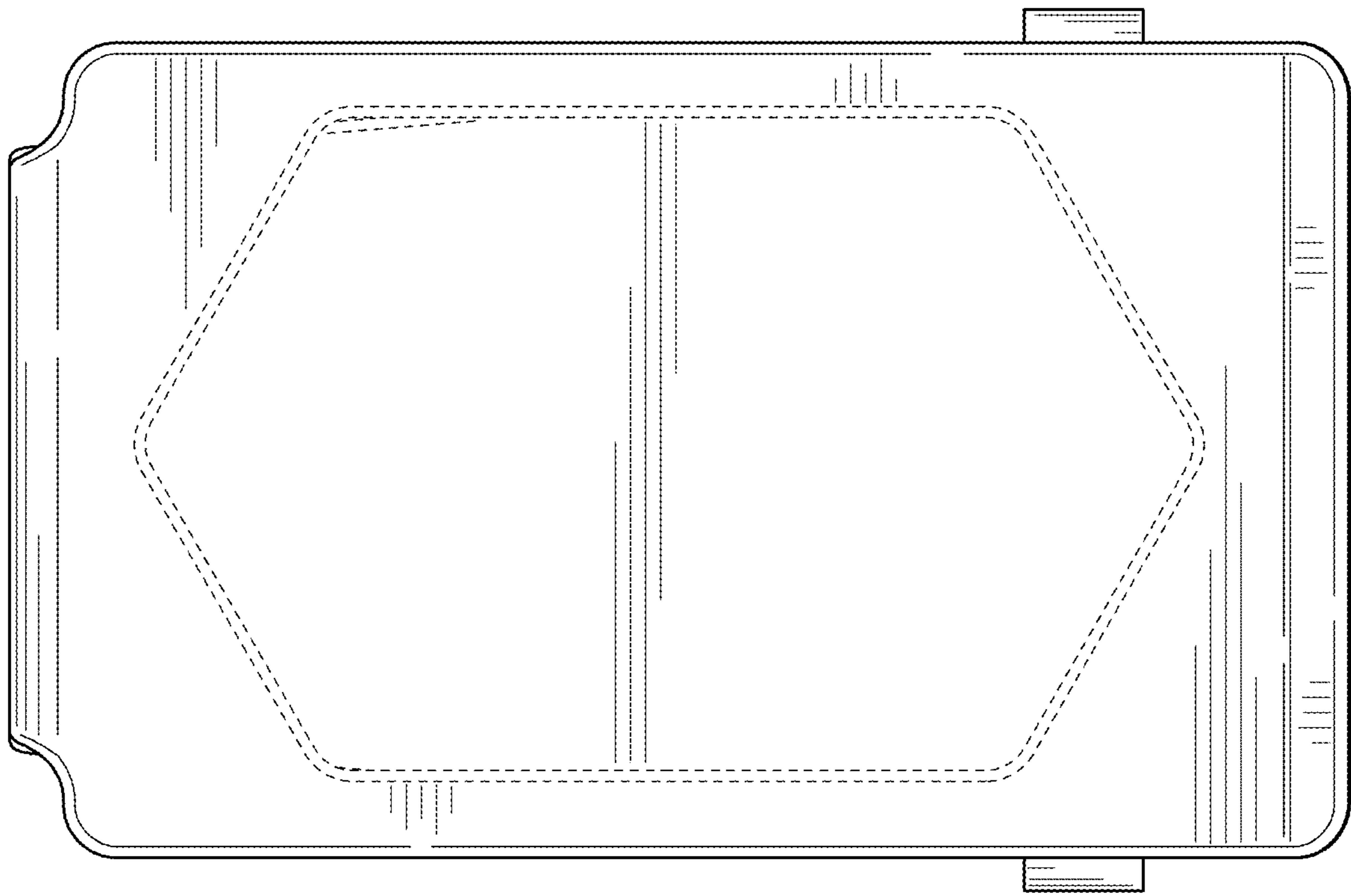


FIG. 18

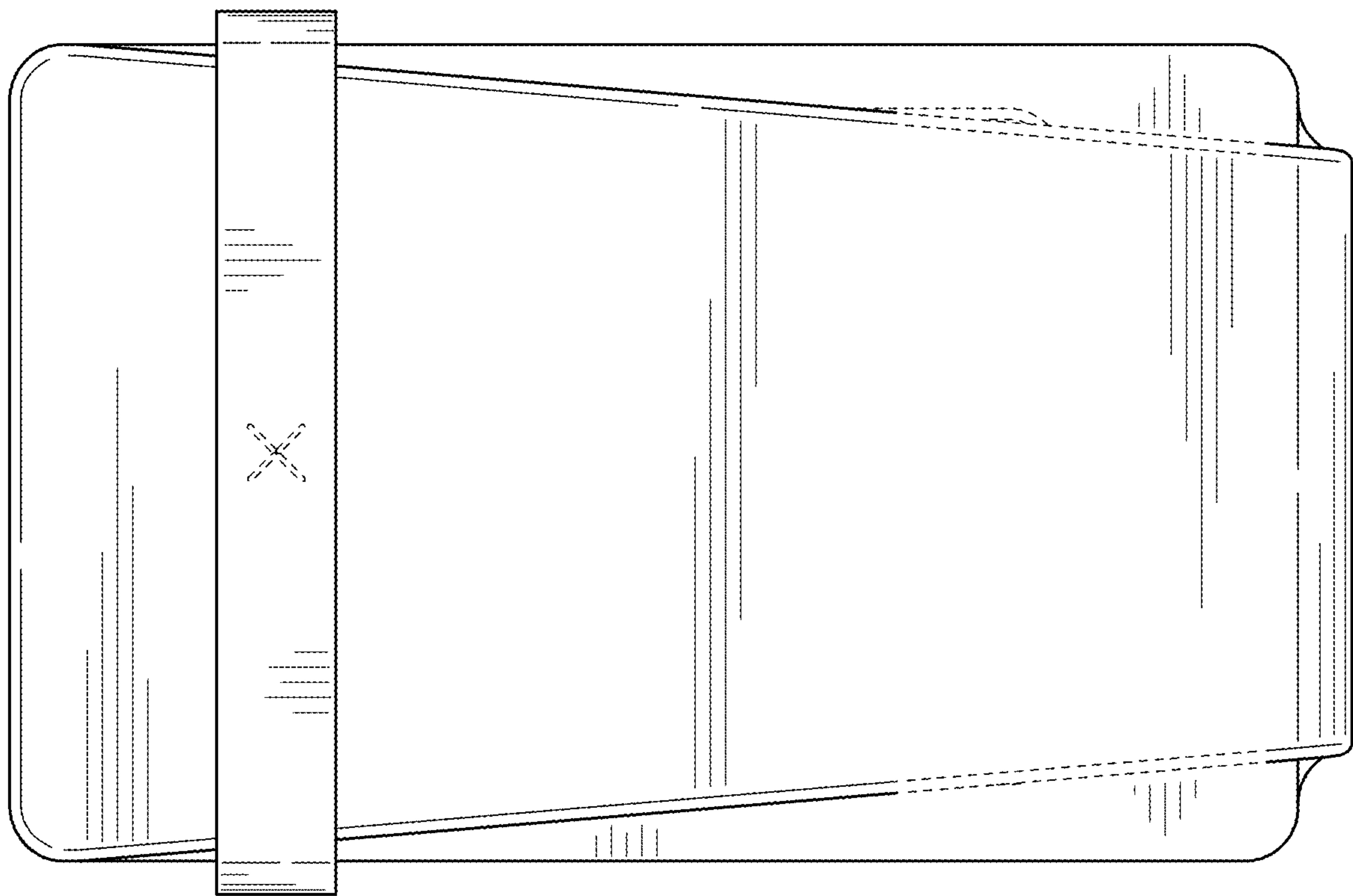


FIG. 19

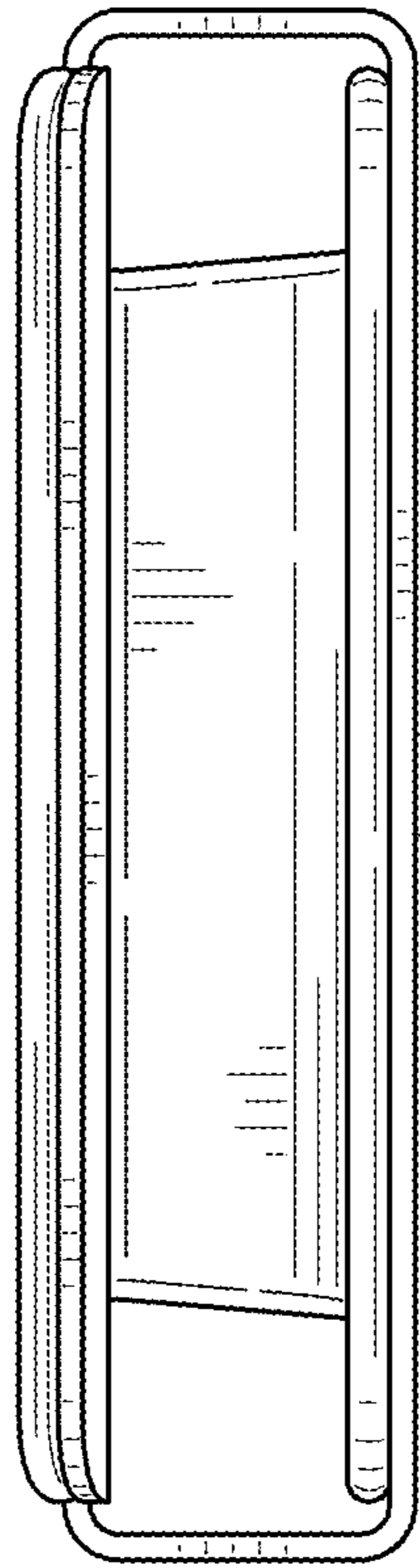


FIG. 20

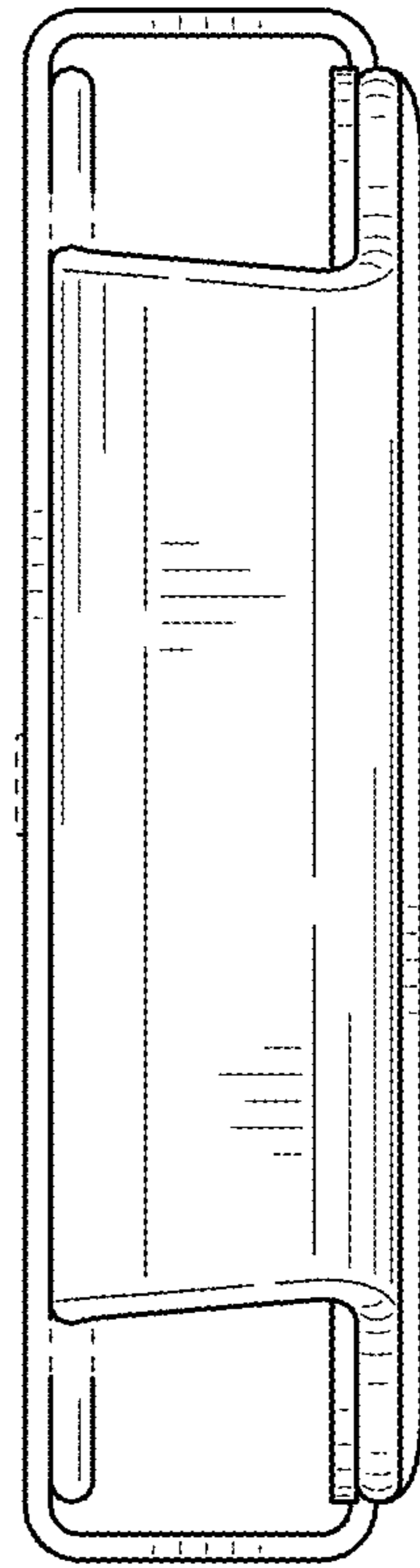


FIG. 21

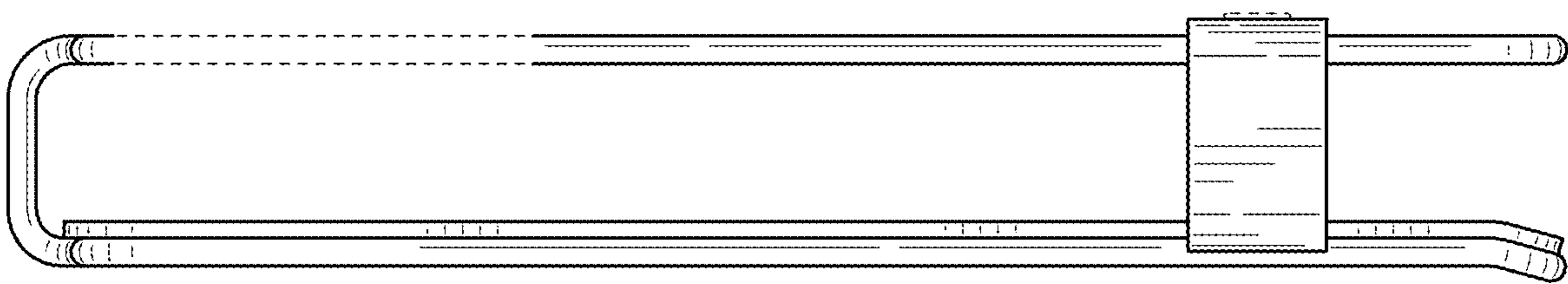


FIG. 22

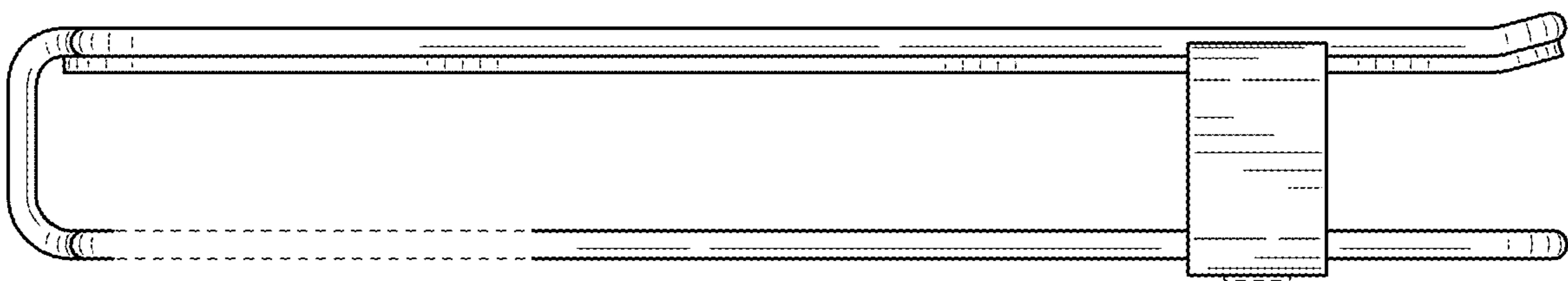


FIG. 23

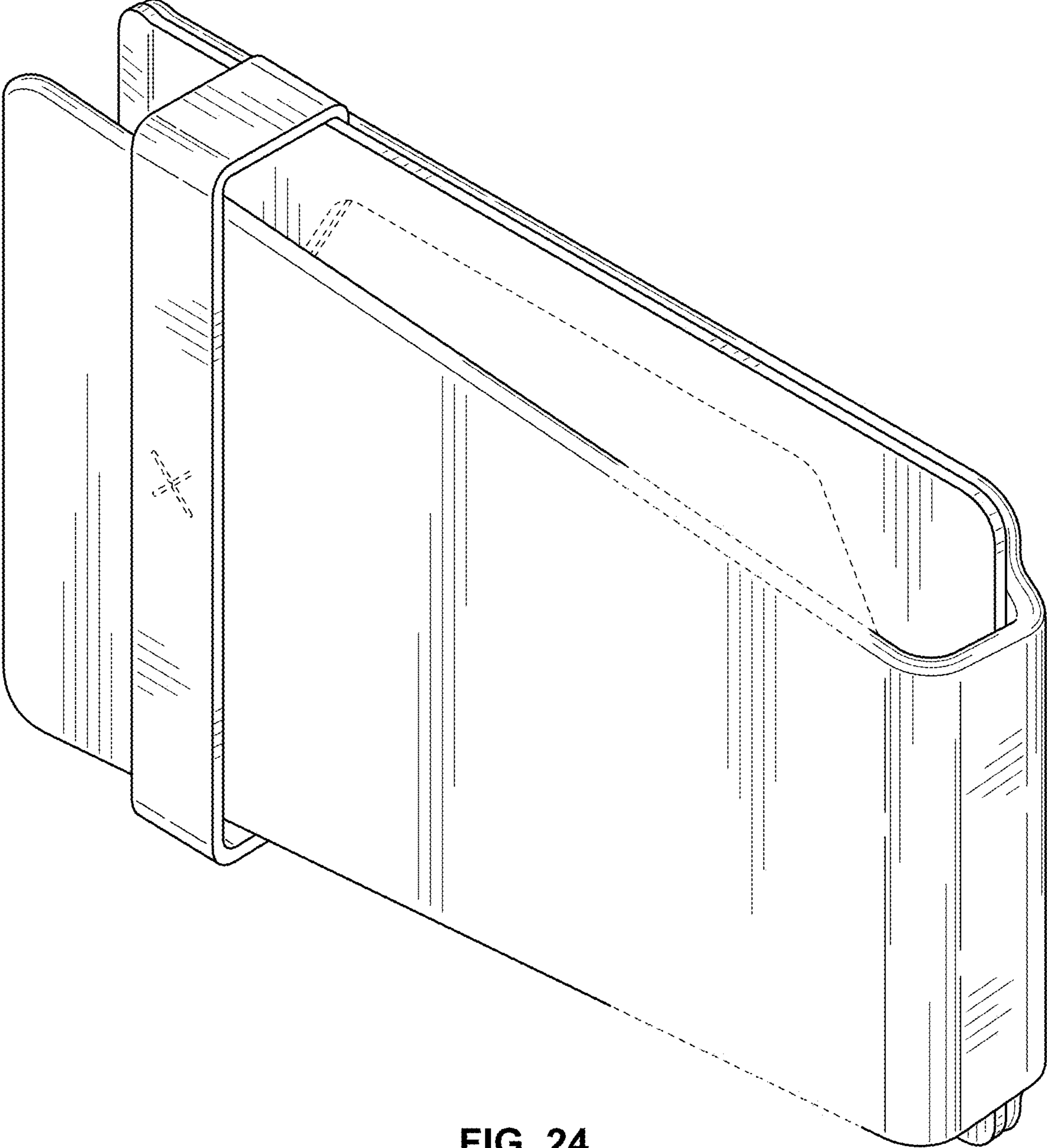


FIG. 24