



US00D908347S

(12) **United States Design Patent**  
**Sun**

(10) **Patent No.:** **US D908,347 S**

(45) **Date of Patent:** **\*\* Jan. 26, 2021**

- (54) **CHILD BACKPACK CARRIER**
- (71) Applicant: **Crosslinks Enterprise Inc.**, Diamond Bar, CA (US)
- (72) Inventor: **June Sun**, Yorba Linda, CA (US)
- (73) Assignee: **Crosslinks Enterprise Inc.**, Diamond Bar, CA (US)
- (\*\*) Term: **15 Years**
- (21) Appl. No.: **29/619,115**
- (22) Filed: **Sep. 27, 2017**
- (51) **LOC (13) Cl.** ..... **03-99**
- (52) **U.S. Cl.**  
USPC ..... **D3/214**
- (58) **Field of Classification Search**  
USPC ..... D3/213, 214, 216  
CPC ..... A45F 3/00; A45F 3/04; A45F 4/00; A47D 13/02; A47D 13/025; A47D 13/043  
See application file for complete search history.

- 5,533,654 A \* 7/1996 Holty ..... A45F 3/04  
224/155
- D378,017 S \* 2/1997 Svendsen ..... D12/129
- 5,609,279 A \* 3/1997 O'Shea ..... A47D 13/025  
224/155
- 5,626,271 A \* 5/1997 Messey ..... A47D 13/025  
224/158
- 5,662,339 A \* 9/1997 Svendsen ..... A47D 13/025  
224/153
- D385,696 S \* 11/1997 Fair ..... D3/214
- 5,695,100 A \* 12/1997 O'Brien ..... A47C 7/66  
135/143
- 5,725,139 A \* 3/1998 Smith ..... A45F 3/02  
224/631
- D394,546 S \* 5/1998 Svendsen ..... D3/214
- 5,779,248 A \* 7/1998 Gold ..... B62B 7/06  
224/153

(Continued)

*Primary Examiner* — Steven J Czyz  
(74) *Attorney, Agent, or Firm* — Joe Nieh

(57) **CLAIM**

The ornamental design for a child backpack carrier, as shown and described.

(56) **References Cited**

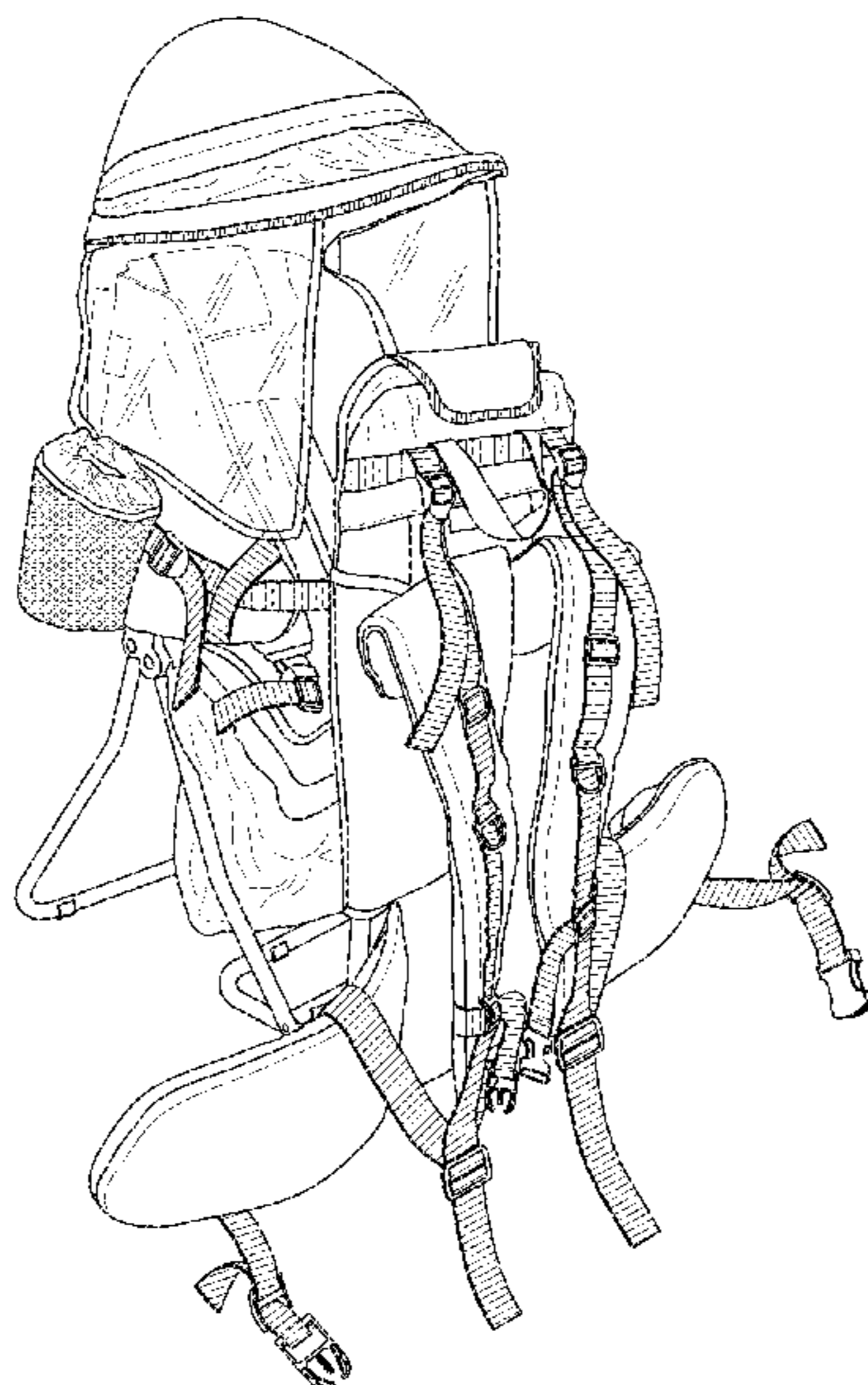
U.S. PATENT DOCUMENTS

- 3,989,173 A \* 11/1976 Gebhard ..... A47D 13/025  
224/155
- 4,114,788 A \* 9/1978 Zufich ..... A45F 3/08  
224/153
- 4,179,053 A \* 12/1979 Figura ..... A45F 3/08  
135/120.3
- D286,227 S \* 10/1986 Ellis ..... D3/214
- 5,114,059 A \* 5/1992 Thatcher ..... A45F 3/04  
224/148.5
- 5,240,159 A \* 8/1993 Gregory ..... A45F 3/04  
224/264
- 5,419,281 A \* 5/1995 Williams ..... A01K 1/0254  
119/497
- D365,925 S \* 1/1996 Roan ..... D12/129
- 5,522,528 A \* 6/1996 Petricola ..... A47D 13/025  
224/160

**DESCRIPTION**

FIG. 1 is a rear perspective view of a child backpack carrier showing our new design;  
FIG. 2 is a rear view thereof;  
FIG. 3 is a front perspective view thereof;  
FIG. 4 is another front perspective view thereof;  
FIG. 5 is another rear perspective view thereof;  
FIG. 6 is a bottom view thereof;  
FIG. 7 is a top view thereof;  
FIG. 8 is a left side view thereof;  
FIG. 9 is a front view thereof; and,  
FIG. 10 is a right side view thereof.  
The broken lines depict stitching that forms part of the claimed design.

**1 Claim, 10 Drawing Sheets**



(56)

**References Cited**

## U.S. PATENT DOCUMENTS

5,791,535 A \* 8/1998 Roan ..... A47D 13/025  
224/153  
D397,867 S \* 9/1998 Fair ..... D3/213  
5,848,741 A \* 12/1998 Fair ..... A47C 7/66  
224/160  
5,868,292 A \* 2/1999 Stephens ..... A47D 13/025  
224/161  
D409,373 S \* 5/1999 Fair ..... D3/213  
6,092,543 A \* 7/2000 Roh ..... A47D 13/025  
135/96  
6,158,641 A \* 12/2000 Eyman ..... A47D 13/025  
224/161  
D437,996 S \* 2/2001 Fair ..... D3/213  
6,283,347 B1 \* 9/2001 Roh ..... A47C 7/66  
2/4  
D449,440 S \* 10/2001 Fair ..... D3/213  
6,318,608 B1 \* 11/2001 Fowler ..... A47D 13/025  
224/159  
D453,066 S \* 1/2002 Norman ..... D3/213  
6,575,342 B1 \* 6/2003 Sundara ..... A47D 13/025  
224/158  
6,619,523 B1 \* 9/2003 Duckworth ..... A45F 3/08  
224/634  
D486,635 S \* 2/2004 Yagisawa ..... D3/213  
D509,056 S \* 9/2005 Shiraishi ..... D3/213  
D634,926 S \* 3/2011 Drollinger ..... D3/216  
D642,375 S \* 8/2011 Zack ..... D3/214  
D644,834 S \* 9/2011 Drollinger ..... D3/216  
D783,269 S \* 4/2017 Lucas ..... D3/213  
D807,025 S \* 1/2018 Elmberg ..... D3/214  
D808,640 S \* 1/2018 Hyppolite ..... D3/214  
2003/0106916 A1 \* 6/2003 Boone ..... A45F 3/10  
224/161

\* cited by examiner

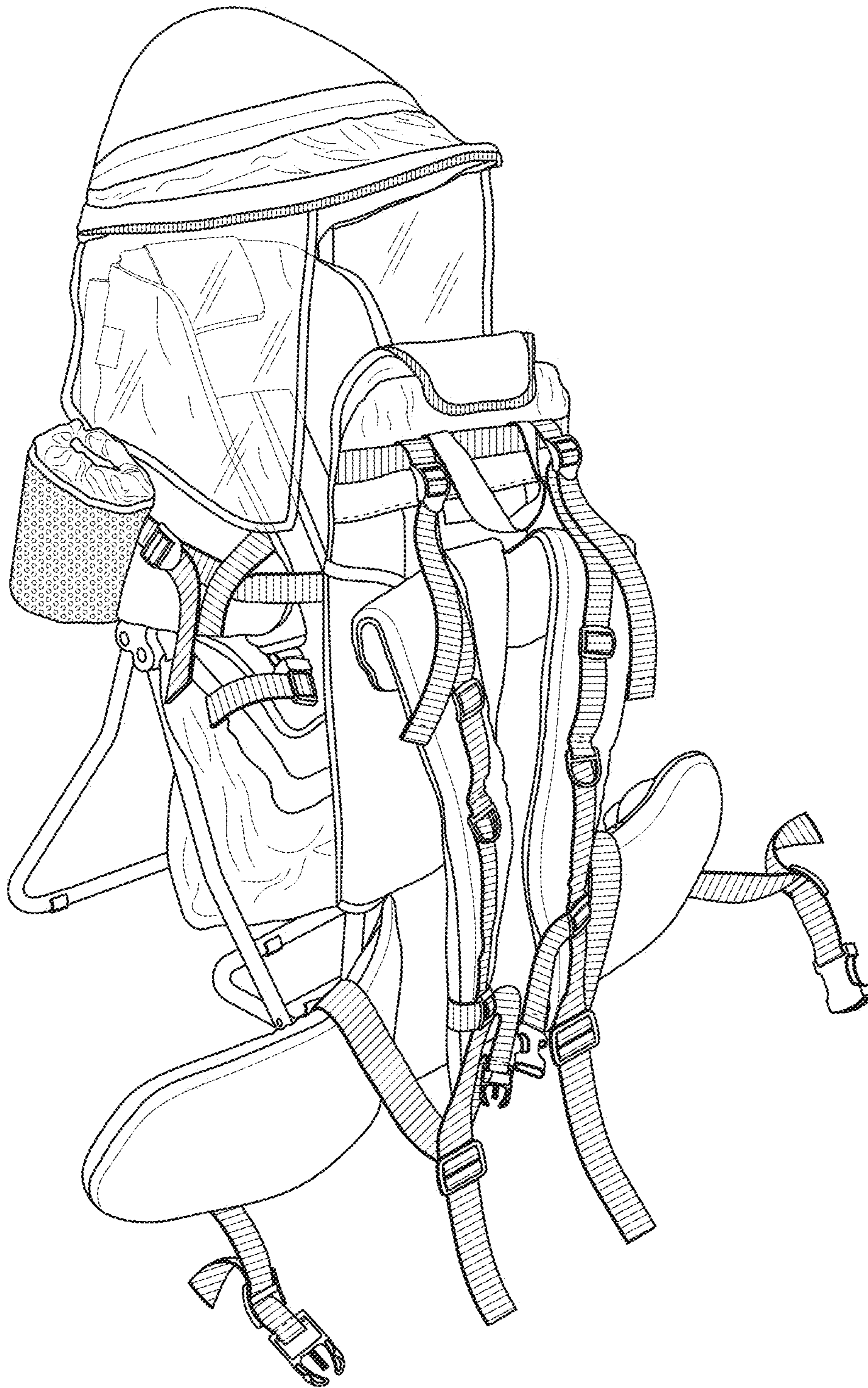


FIG. 1

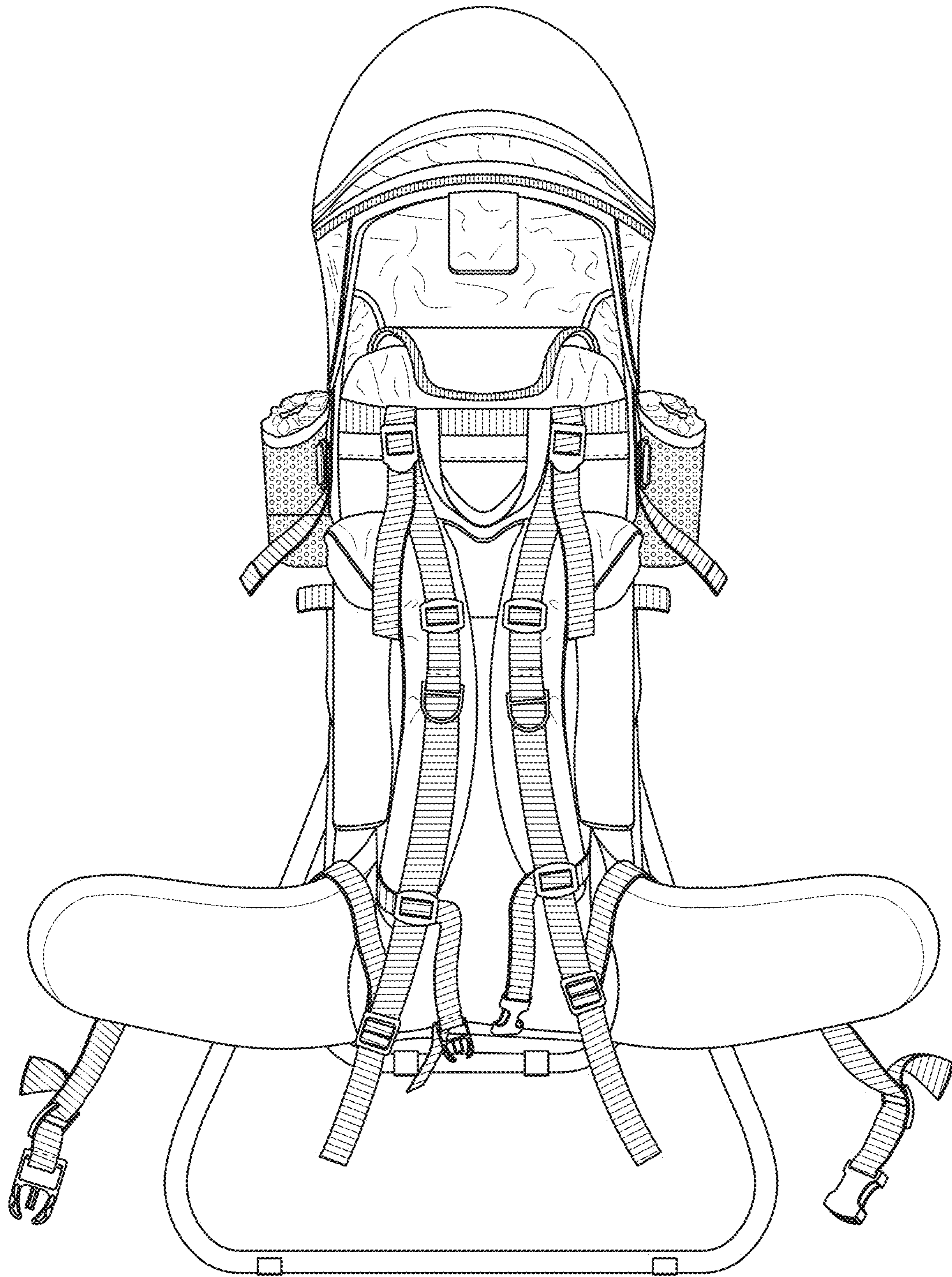


FIG. 2

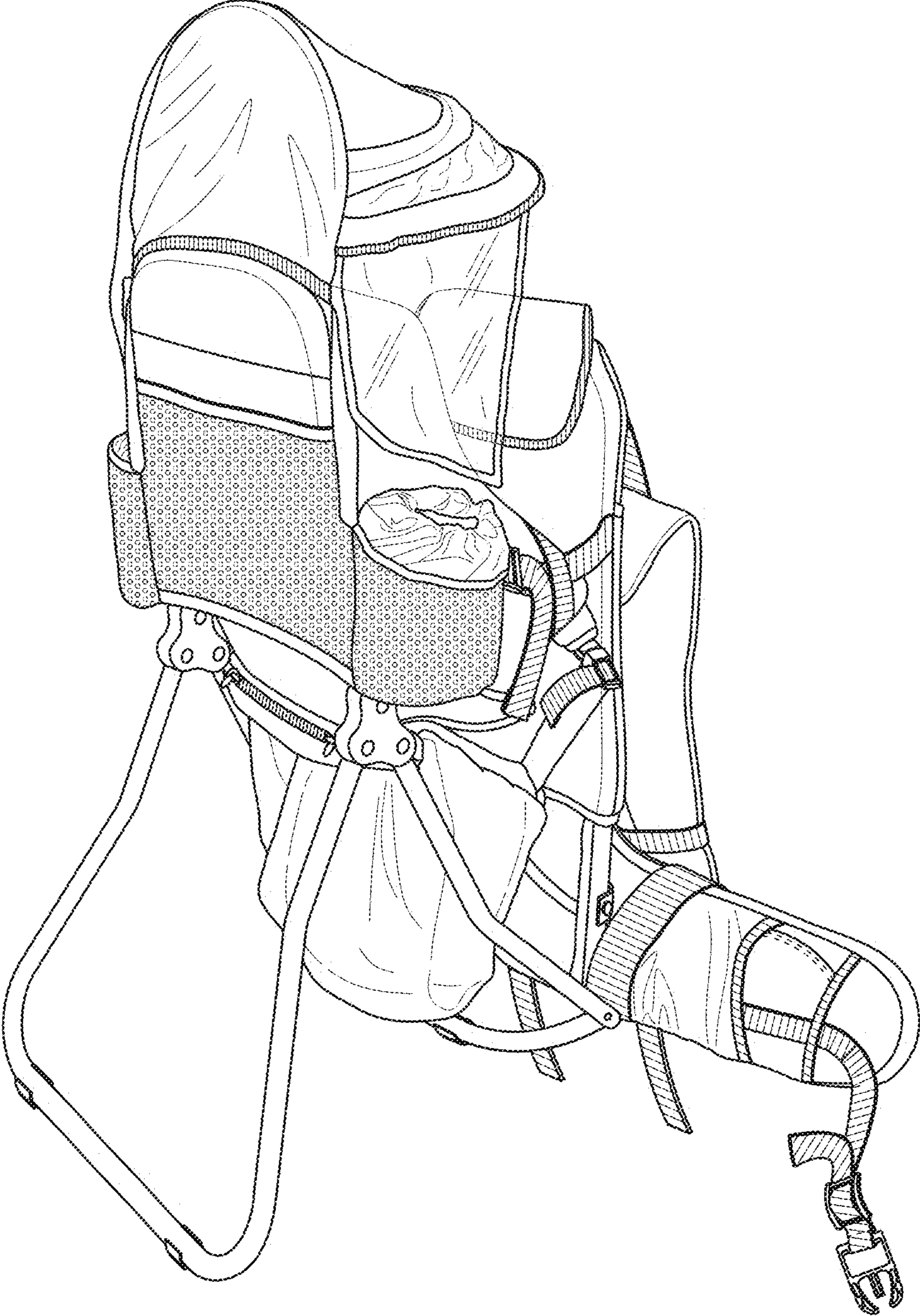


FIG. 3

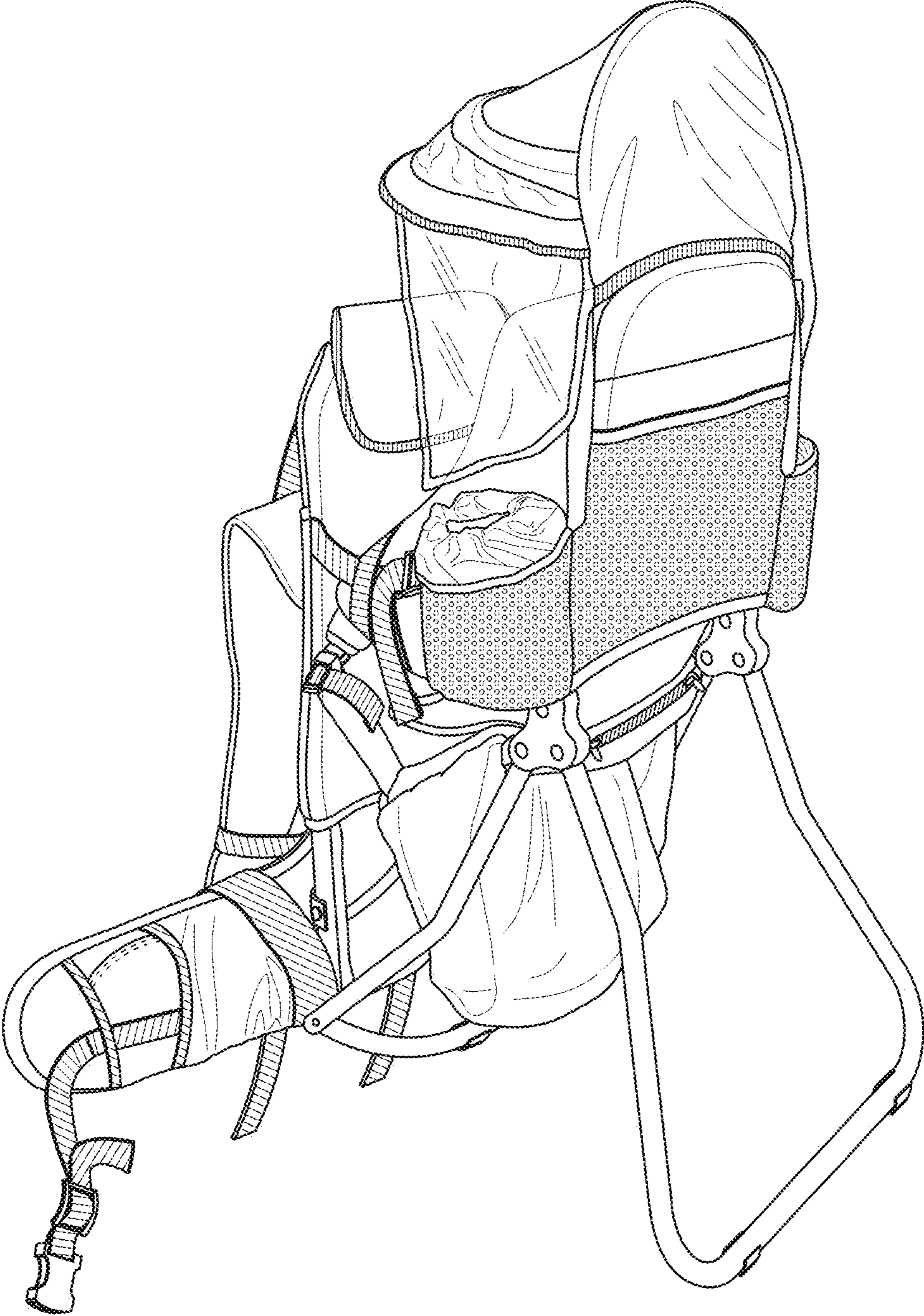


FIG. 4

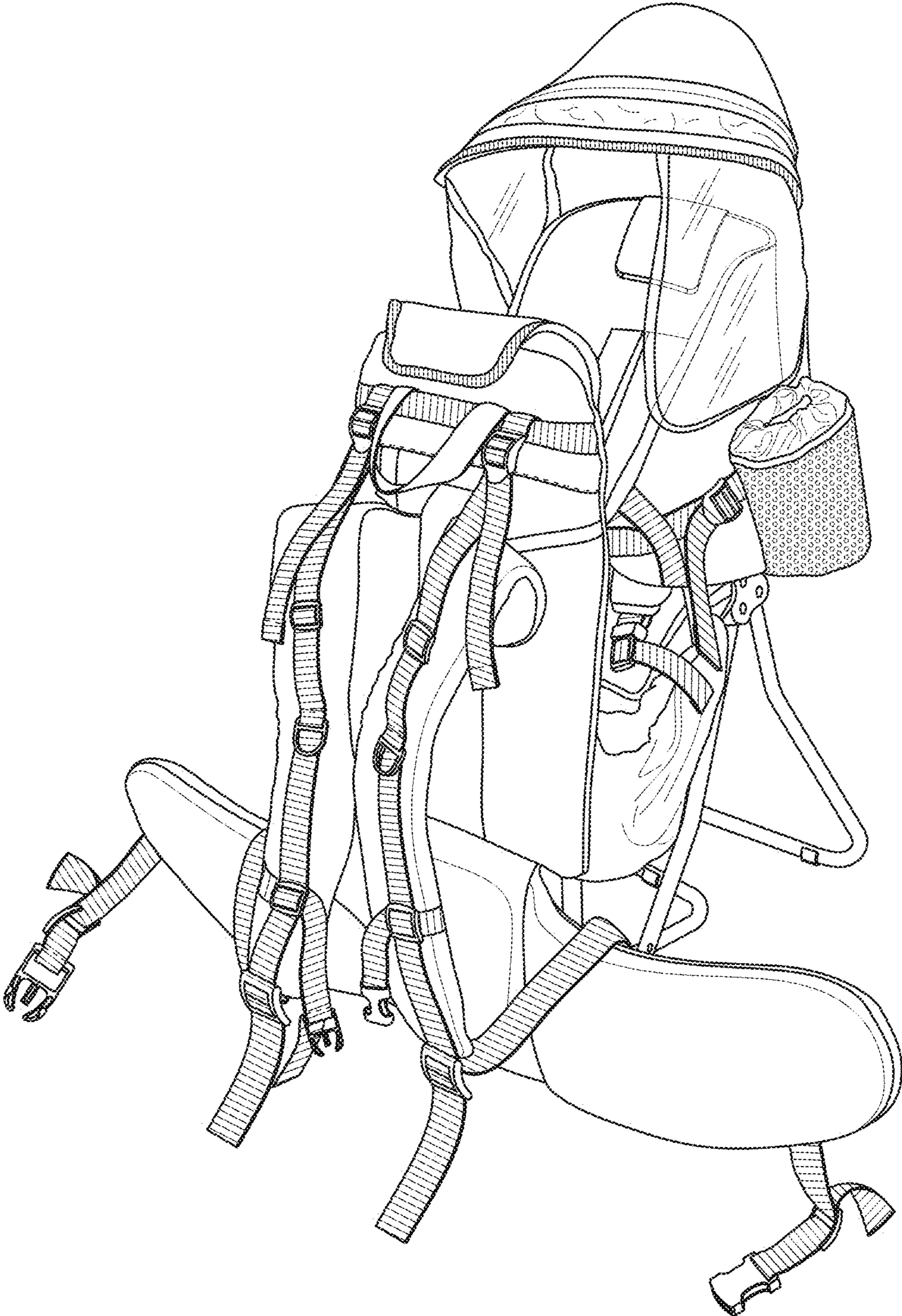


FIG. 5

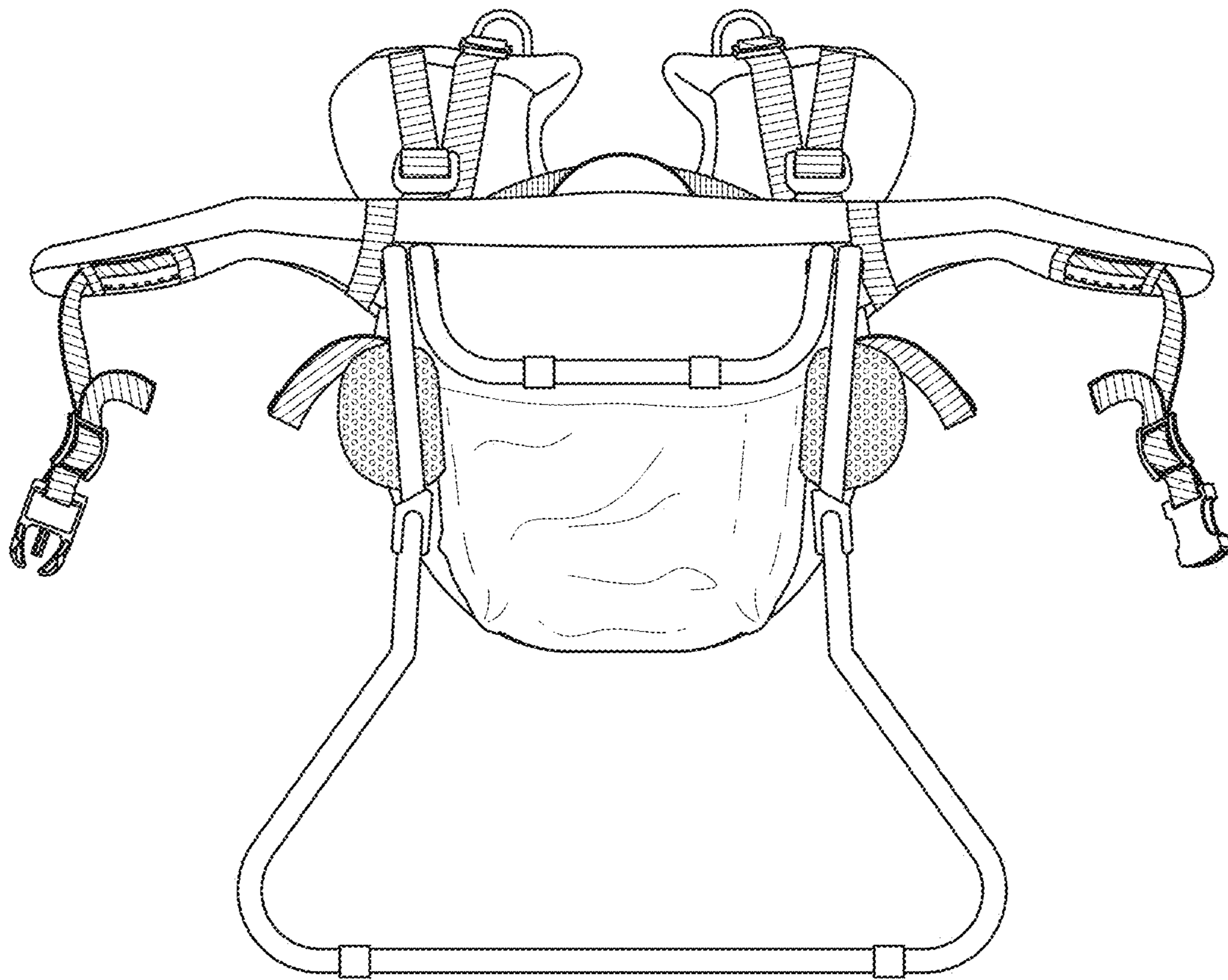


FIG. 6



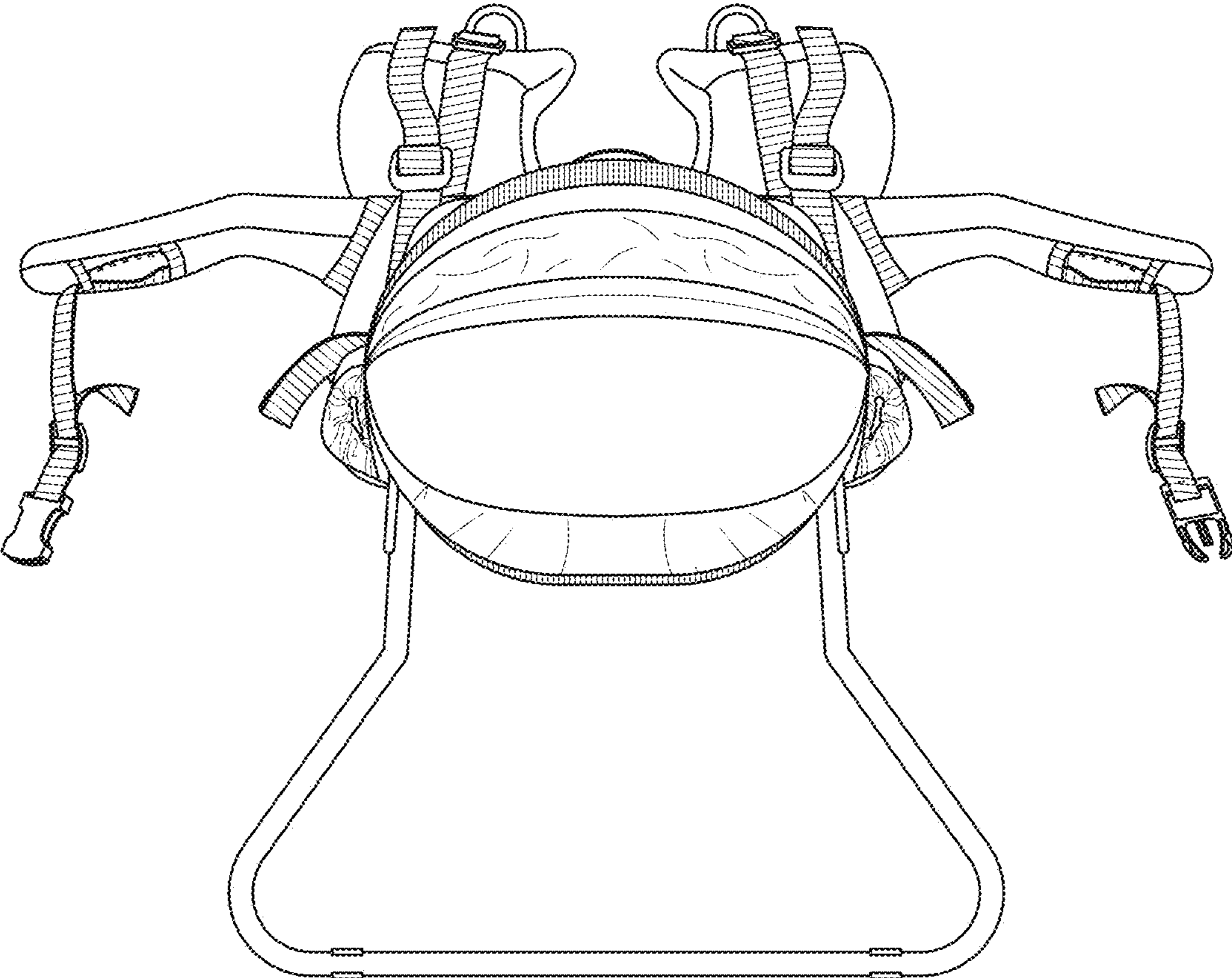


FIG. 7



FIG. 8

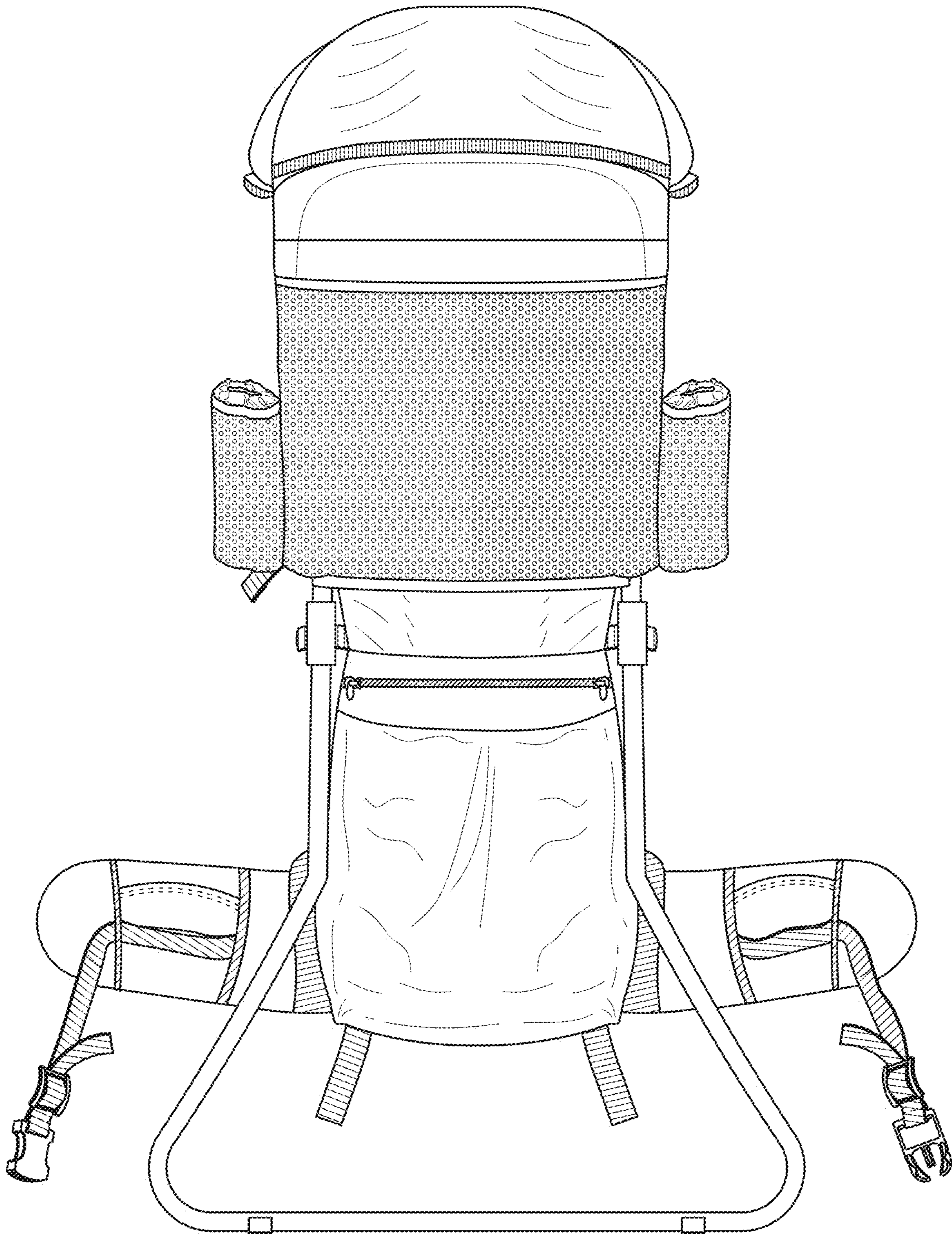


FIG. 9

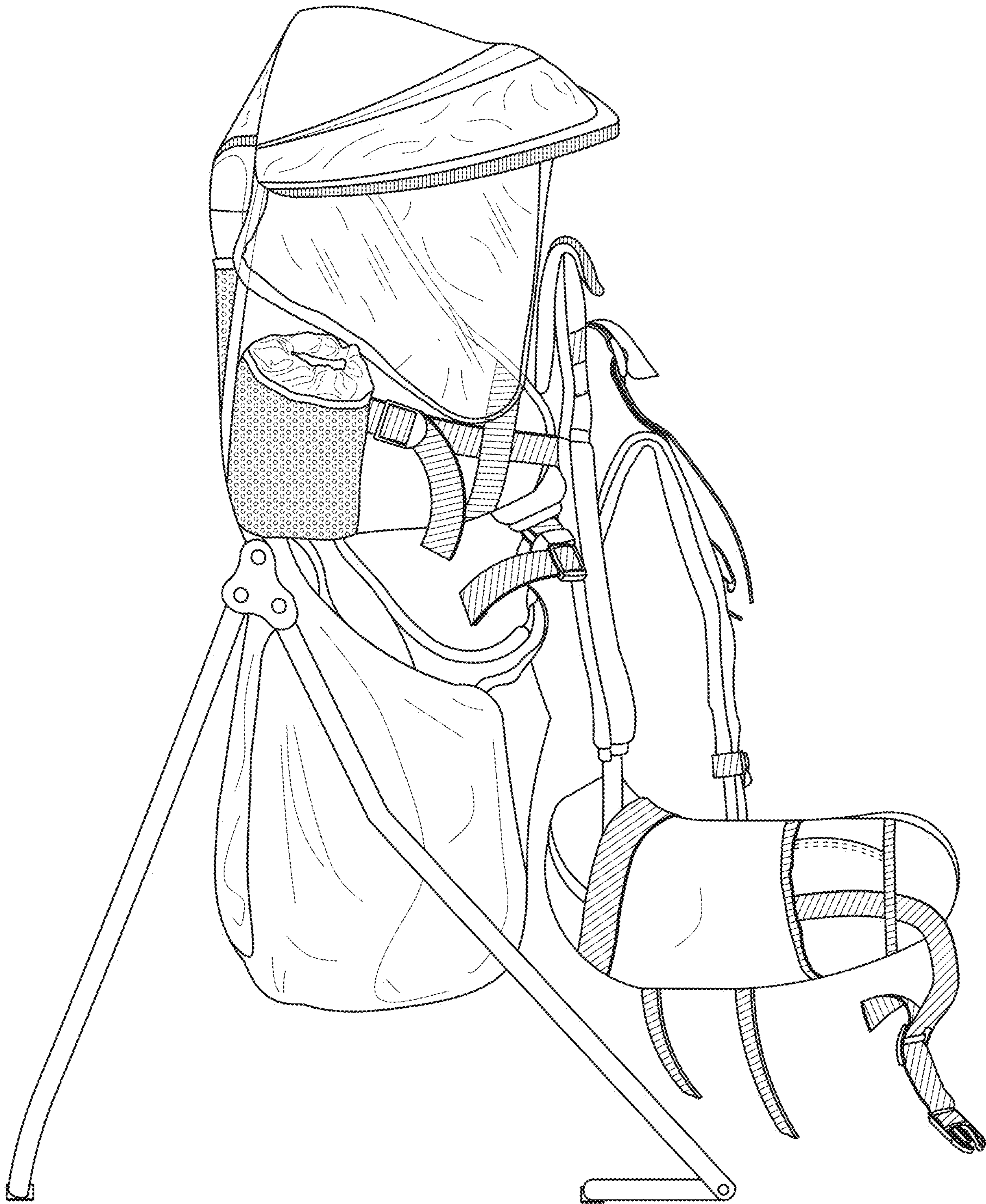


FIG. 10