



US00D908345S

(12) **United States Design Patent**
He et al.

(10) **Patent No.:** **US D908,345 S**

(45) **Date of Patent:** **** Jan. 26, 2021**

- (54) **EARPHONE CHARGING CASE**
- (71) Applicant: **SHENZHEN SWETZ SOUND TECHNOLOGY CO., LTD.**, Shenzhen (CN)
- (72) Inventors: **Min He**, Shenzhen (CN); **Peng Wang**, Shenzhen (CN); **Weibin Dai**, Shenzhen (CN); **Guangqin Chen**, Shenzhen (CN)
- (73) Assignee: **SHENZHEN SWETZ SOUND TECHNOLOGY CO., LTD.**, Shenzhen (CN)

D806,388 S *	1/2018	Akana	D3/294
D818,268 S *	5/2018	Akana	D3/294
D823,246 S	7/2018	Lin		
D838,480 S	1/2019	Son et al.		
D839,583 S	2/2019	Cao		
D843,937 S *	3/2019	Xiao	D13/108
D846,264 S *	4/2019	Wu	D3/201
D849,401 S *	5/2019	Akana	D3/274
D851,913 S	6/2019	Yu		
D853,357 S *	7/2019	Li	D14/217
D864,110 S	10/2019	Yoshimura		
D878,048 S	3/2020	Wang et al.		
D890,091 S *	7/2020	Cramer	D13/108
2008/0090622 A1 *	4/2008	Kim	H04M 1/05 455/573

(**) Term: **15 Years**

* cited by examiner

(21) Appl. No.: **29/732,245**

Primary Examiner — Holly E Thurman

(22) Filed: **Apr. 22, 2020**

(74) *Attorney, Agent, or Firm* — Law Offices of Steven W. Weinrieb

(51) **LOC (13) Cl.** **03-01**

(52) **U.S. Cl.**
USPC **D3/201**

(58) **Field of Classification Search**
USPC D3/201, 203.1, 203.3, 203.6, 205, 218,
D3/272–273, 294–295, 301, 319;
D9/414, 418, 423–426, 430, 432,
D9/455–457, 721, 737
CPC ... A45C 11/16; A47F 7/03; A47F 7/02; A47G
23/06; A61B 2019/5208
See application file for complete search history.

(57) **CLAIM**

The ornamental design for an earphone charging case, as shown and described.

(56) **References Cited**

DESCRIPTION

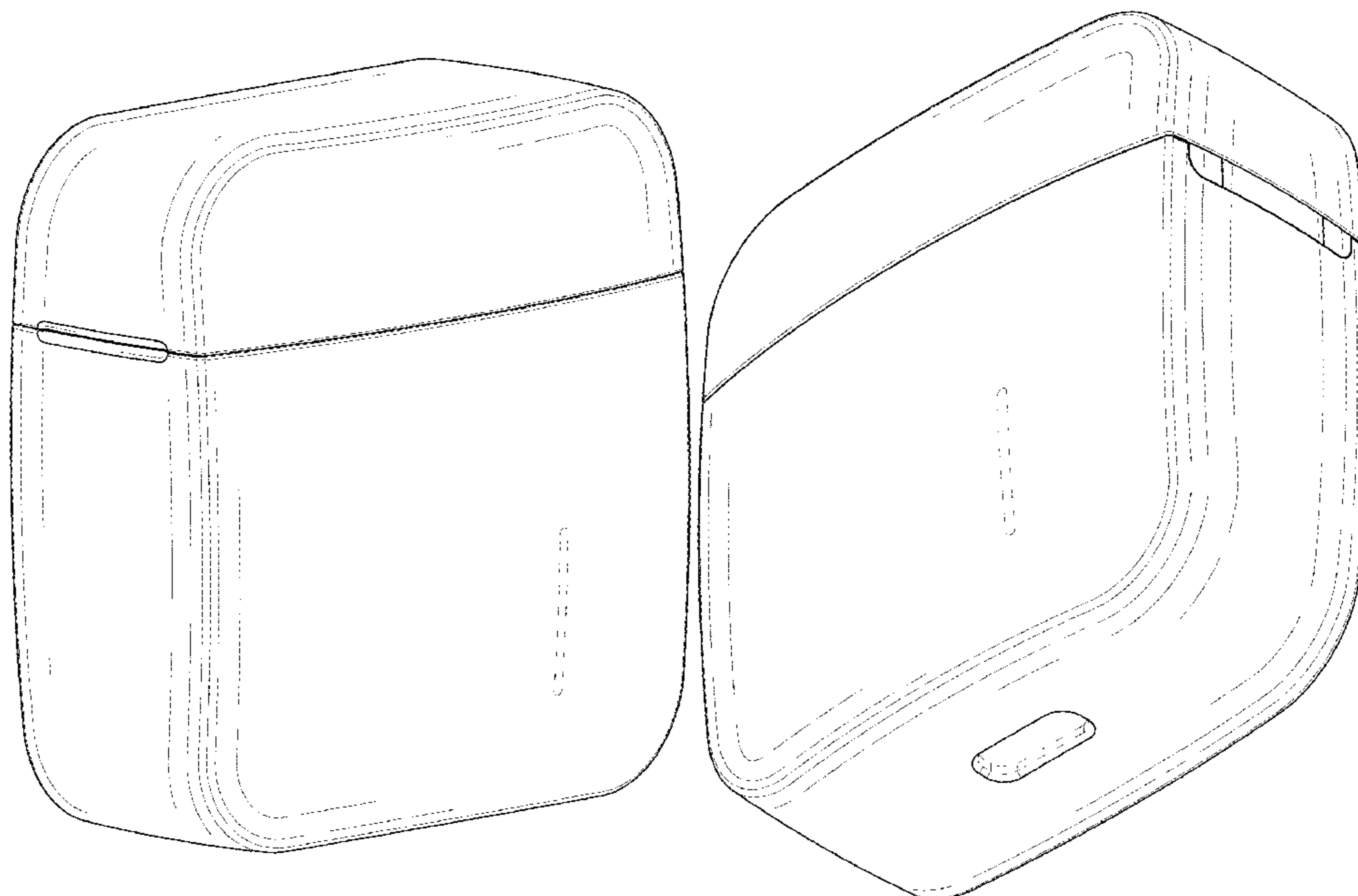
U.S. PATENT DOCUMENTS

D333,560 S	3/1993	Miyashita et al.	
D427,424 S *	7/2000	Conway D3/203.5
D604,501 S	11/2009	Lee	
D723,533 S	3/2015	Stevinson	
D739,657 S	9/2015	Hsieh et al.	

FIG. 1 is a front, left side, top perspective view of an earphone charging case showing my new design; FIG. 2 is a rear, right side, bottom perspective view thereof; FIG. 3 is a front elevational view thereof; FIG. 4 is a rear elevational view thereof; FIG. 5 is a left side elevational view thereof; FIG. 6 is a right side elevational view thereof; FIG. 7 is a top plan view thereof; and, FIG. 8 is a bottom plan view thereof.

The broken lines depict portions of the earphone charging case that form no part of the claimed design.

1 Claim, 8 Drawing Sheets



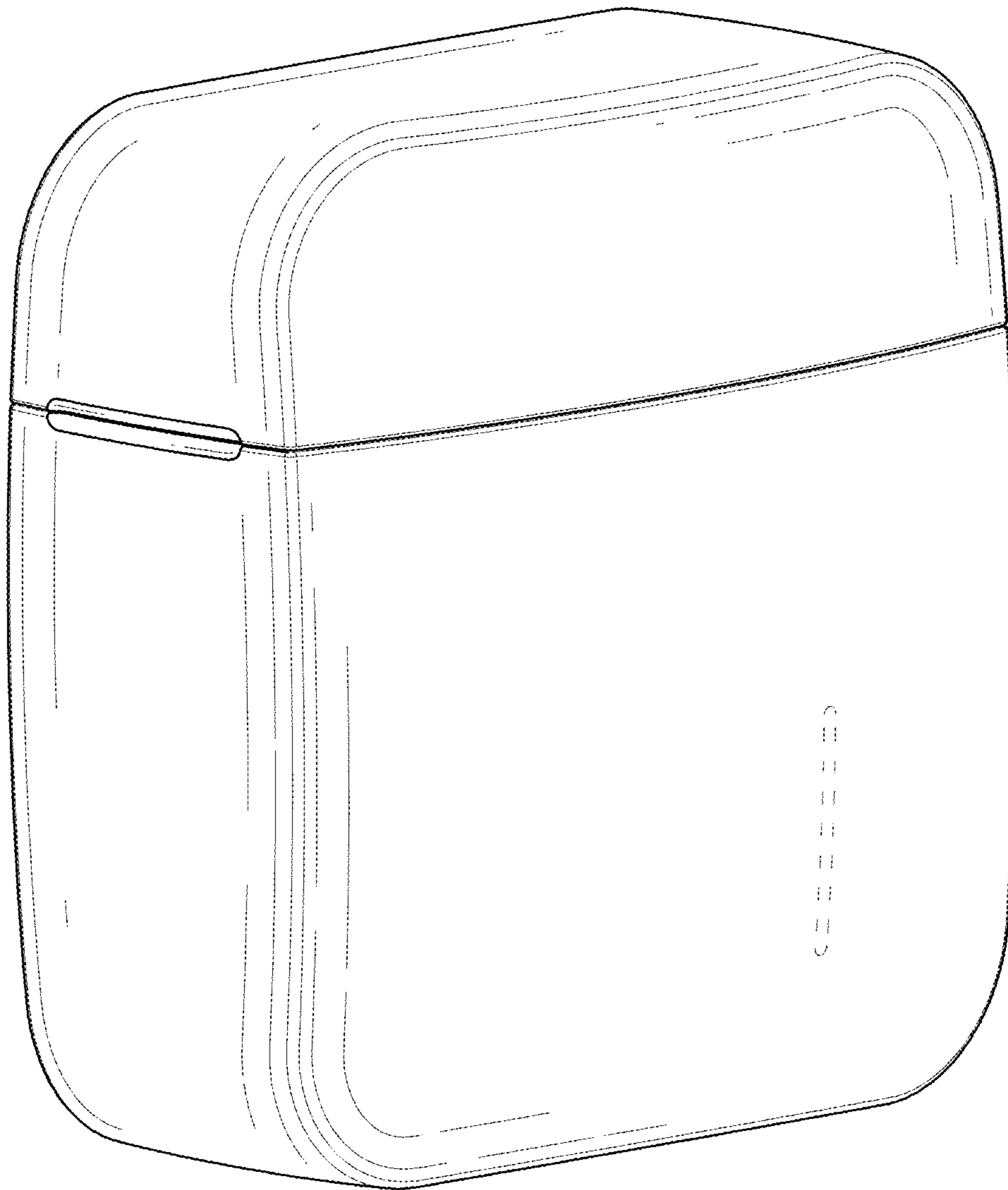


FIG.1

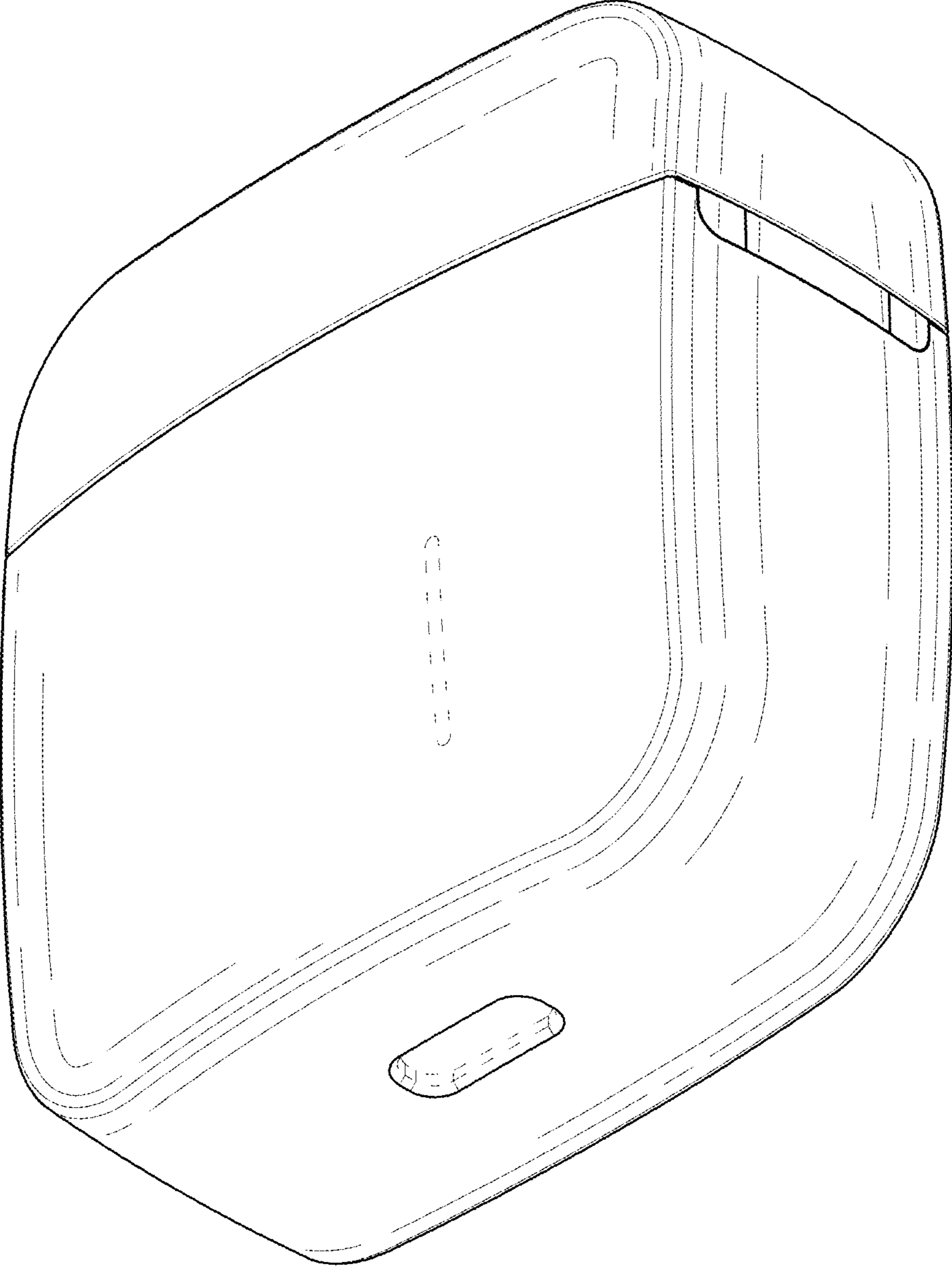


FIG.2

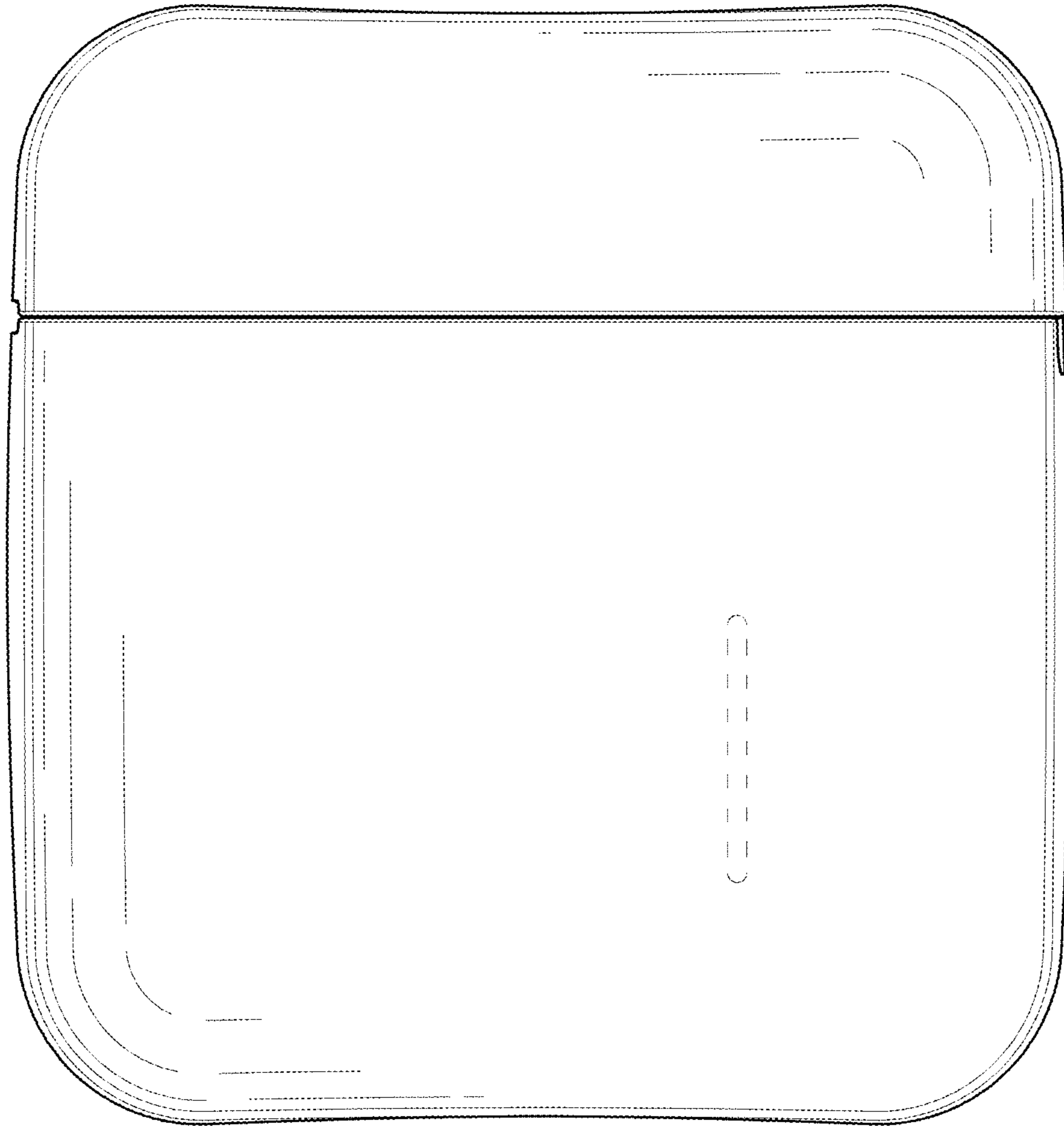


FIG.3

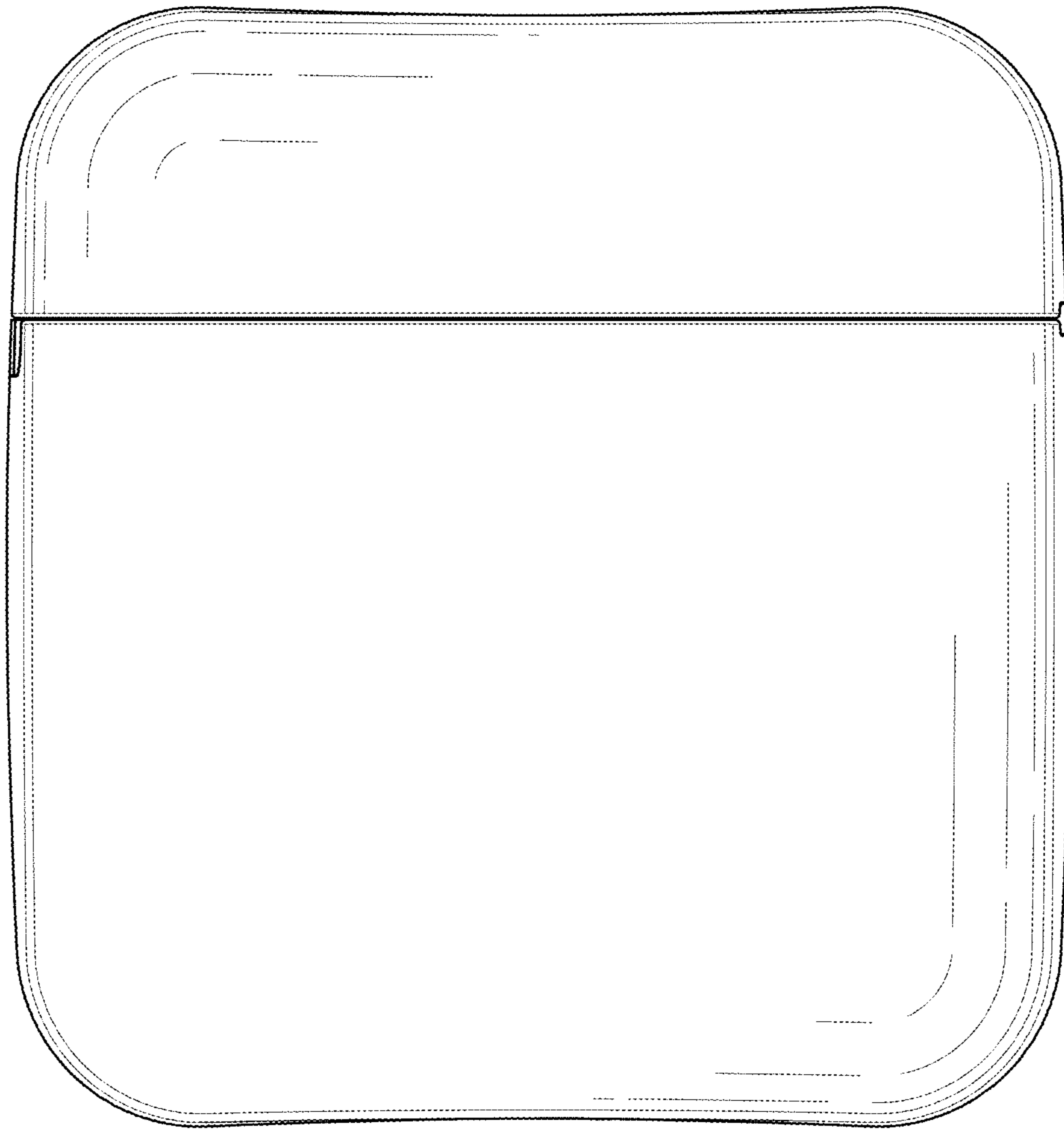


FIG.4

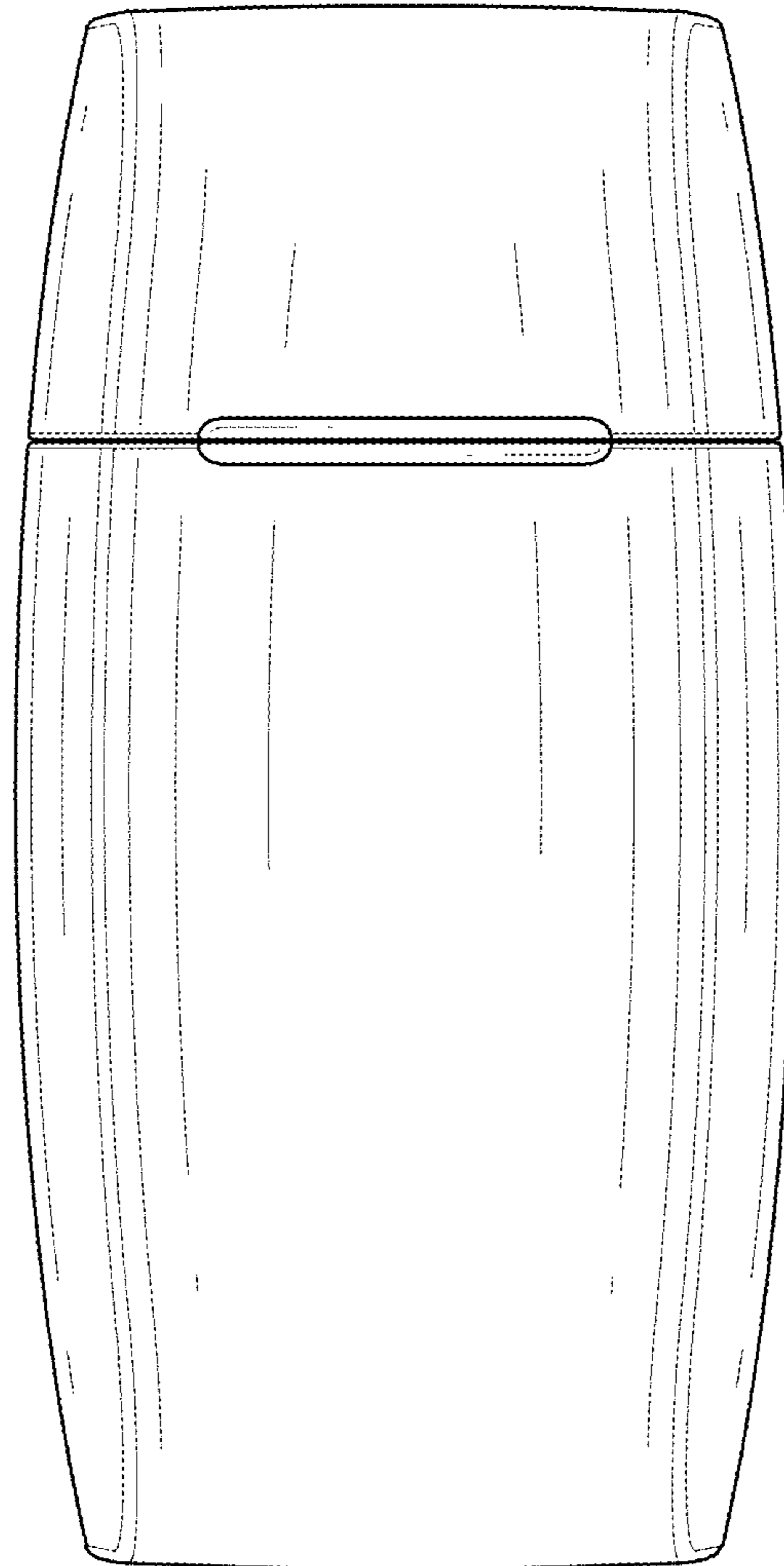


FIG.5

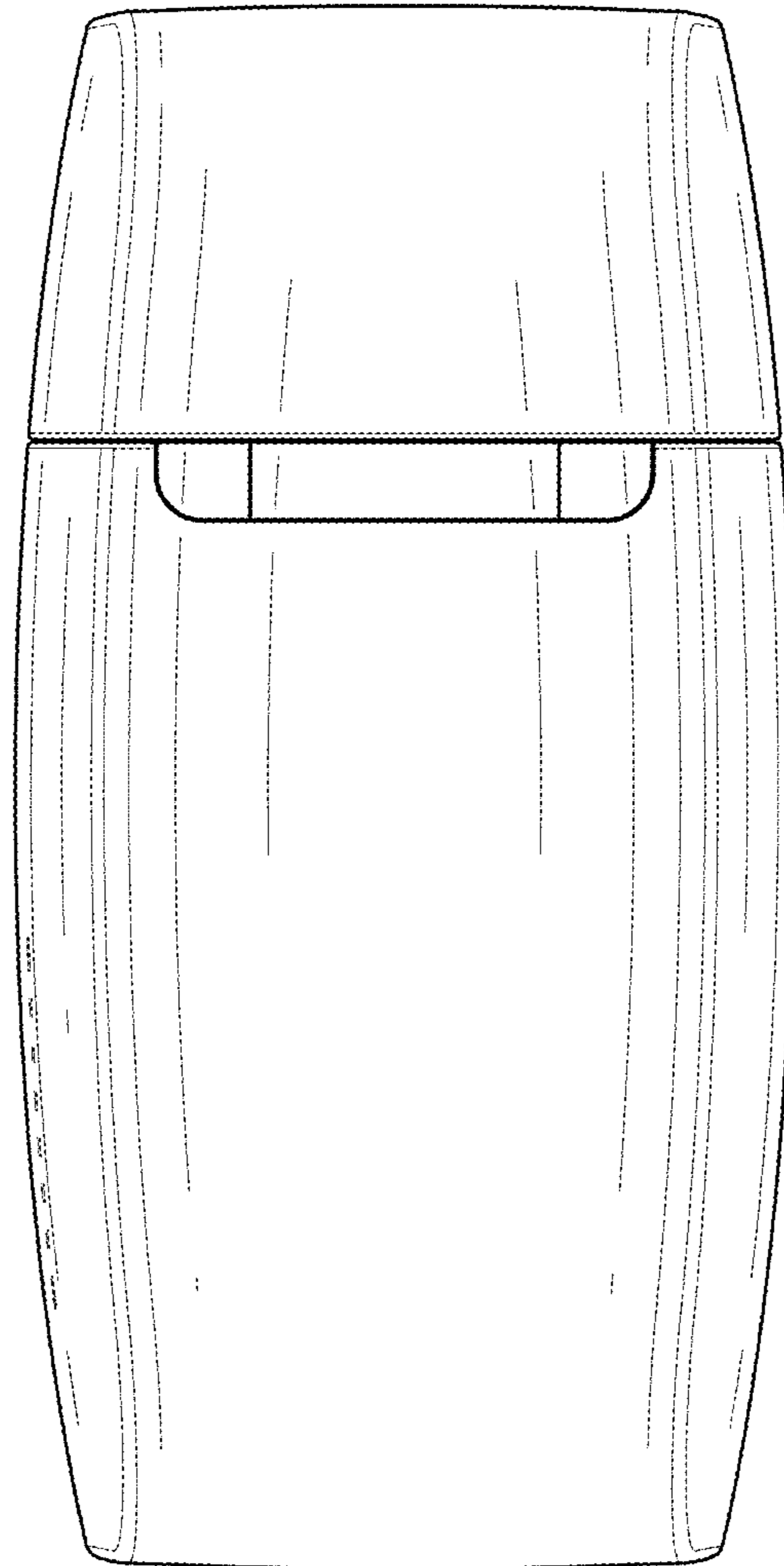


FIG.6

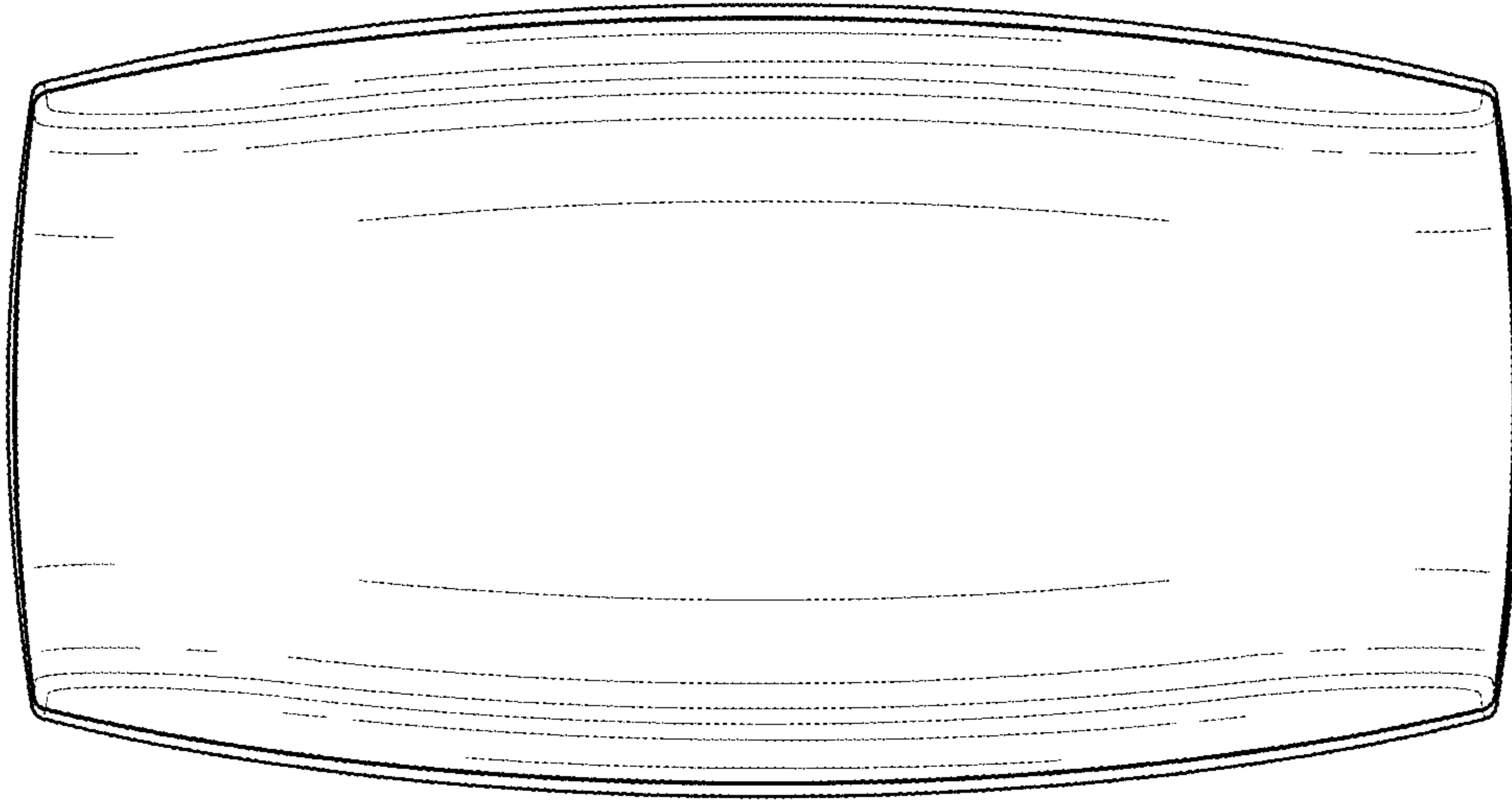


FIG. 7

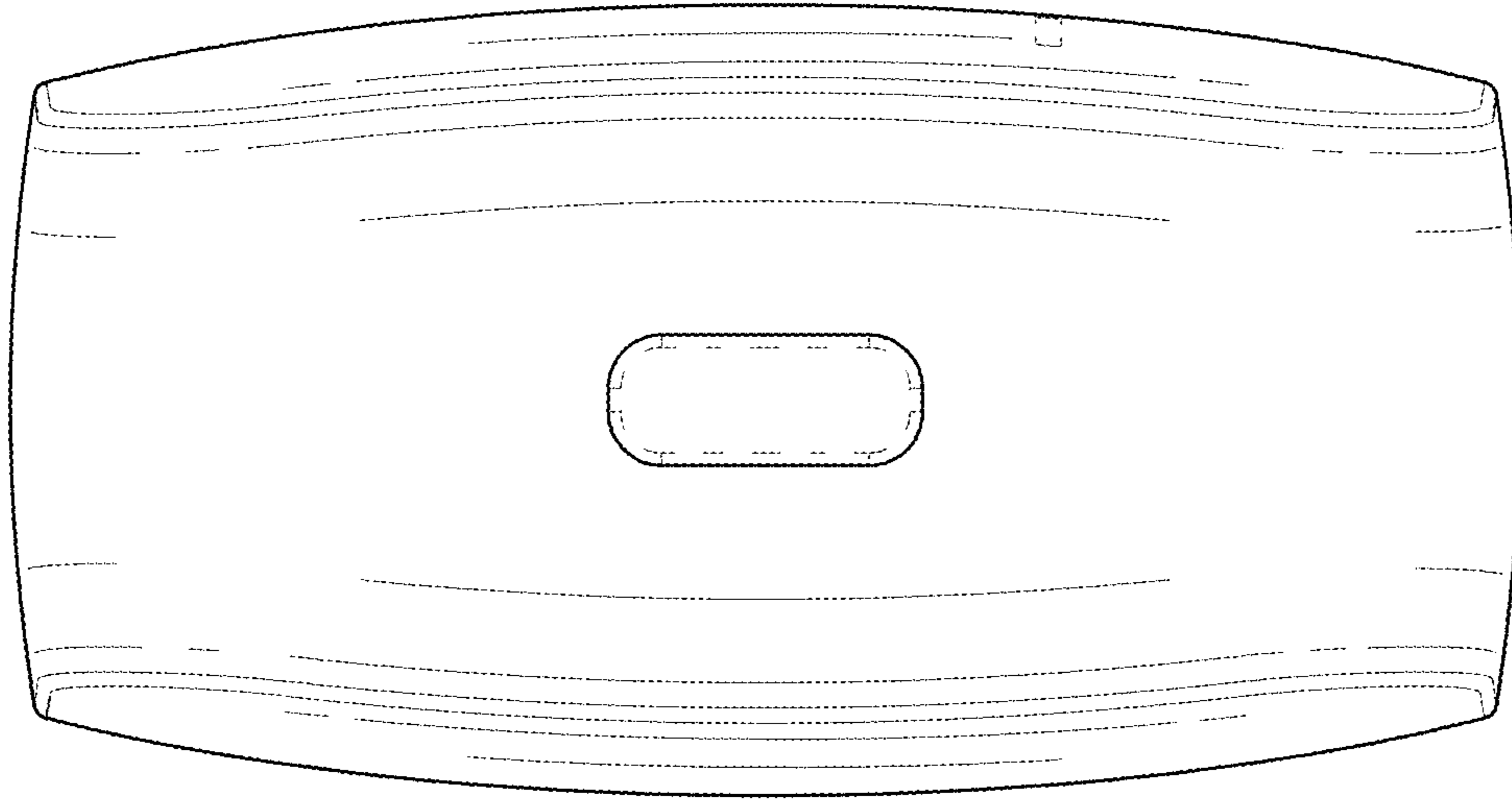


FIG.8