



US00D908344S

(12) **United States Design Patent**
Jones

(10) **Patent No.:** **US D908,344 S**
(45) **Date of Patent:** **** Jan. 26, 2021**

(54) **NEEDLE STORAGE HOLDER**
(71) Applicant: **John Jones**, Alexandria, VA (US)
(72) Inventor: **John Jones**, Alexandria, VA (US)
(**) Term: **15 Years**
(21) Appl. No.: **29/689,895**
(22) Filed: **May 2, 2019**
(51) **LOC (13) Cl.** **03-01**
(52) **U.S. Cl.**
USPC **D3/201**
(58) **Field of Classification Search**
USPC ... D3/18, 20, 28, 201, 203.1, 207, 212, 215,
D3/328, 904; D19/202, 203, 204;
D24/127, 128
CPC F04B 33/005; B65D 85/24; A45C 11/00;
A45F 5/00; A63B 41/12
See application file for complete search history.

6,997,334 B2 * 2/2006 Manix A45C 11/00
206/380
D596,391 S * 7/2009 Cho D3/201
D604,768 S * 11/2009 Andoh D19/204
D606,860 S * 12/2009 Hill D9/434
8,602,211 B2 * 12/2013 Sasur B65D 85/24
206/380
D740,110 S * 10/2015 Luoma D8/394
D773,656 S * 12/2016 Chase D24/128
9,815,614 B2 * 11/2017 Griffin B65D 83/02
9,956,560 B2 * 5/2018 Landes A61D 19/024
10,322,869 B1 * 6/2019 Norton D05B 91/12
D878,034 S * 3/2020 Ziemann D3/21
D891,087 S * 7/2020 Morgan D3/207
10,729,858 B2 * 8/2020 Srinivasan A61M 5/002

* cited by examiner

Primary Examiner — Steven J Cxyz

(74) *Attorney, Agent, or Firm* — Welsh Flaxman & Gitler
LLC

(57) **CLAIM**

The ornamental design for a needle storage holder, as shown
and described.

DESCRIPTION

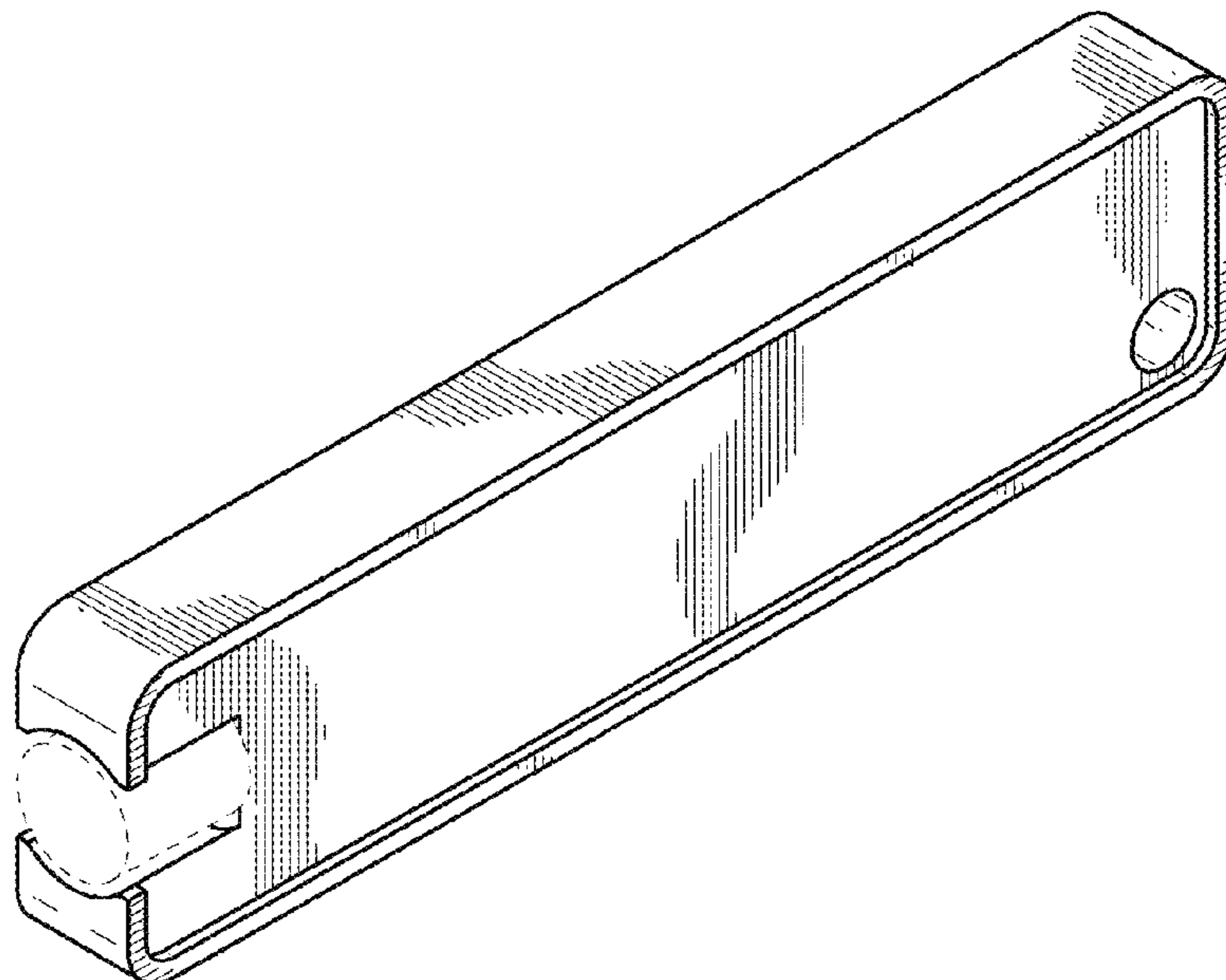
FIG. 1 is a perspective view of a needle storage holder
shown with environment;
FIG. 2 is a left side view thereof;
FIG. 3 is another left side view of the needle storage holder
shown without environment;
FIG. 4 is a right side view thereof;
FIG. 5 is a front view of the needle storage holder shown
with environment;
FIG. 6 is a rear view thereof;
FIG. 7 is a top view thereof; and,
FIG. 8 is a bottom view thereof.
The broken lines depict portions of the article and environ-
ment that form no part of the claimed design.

1 Claim, 3 Drawing Sheets

(56) **References Cited**

U.S. PATENT DOCUMENTS

3,970,195 A * 7/1976 Franklin B65D 83/02
206/380
4,163,493 A * 8/1979 Current B65D 85/24
206/380
4,765,473 A * 8/1988 Pavel B65D 11/1886
206/380
D310,185 S * 8/1990 Tick D11/182
D332,347 S * 1/1993 Raadt D3/18
D332,918 S * 2/1993 Fleming D32/61
5,704,917 A * 1/1998 Utterberg A61M 25/0631
604/174
5,775,498 A * 7/1998 Kashanchi A61M 5/002
206/364
6,474,482 B2 * 11/2002 Manix A47B 81/00
211/70.6
D484,035 S * 12/2003 Smith-Kielland 248/68.1



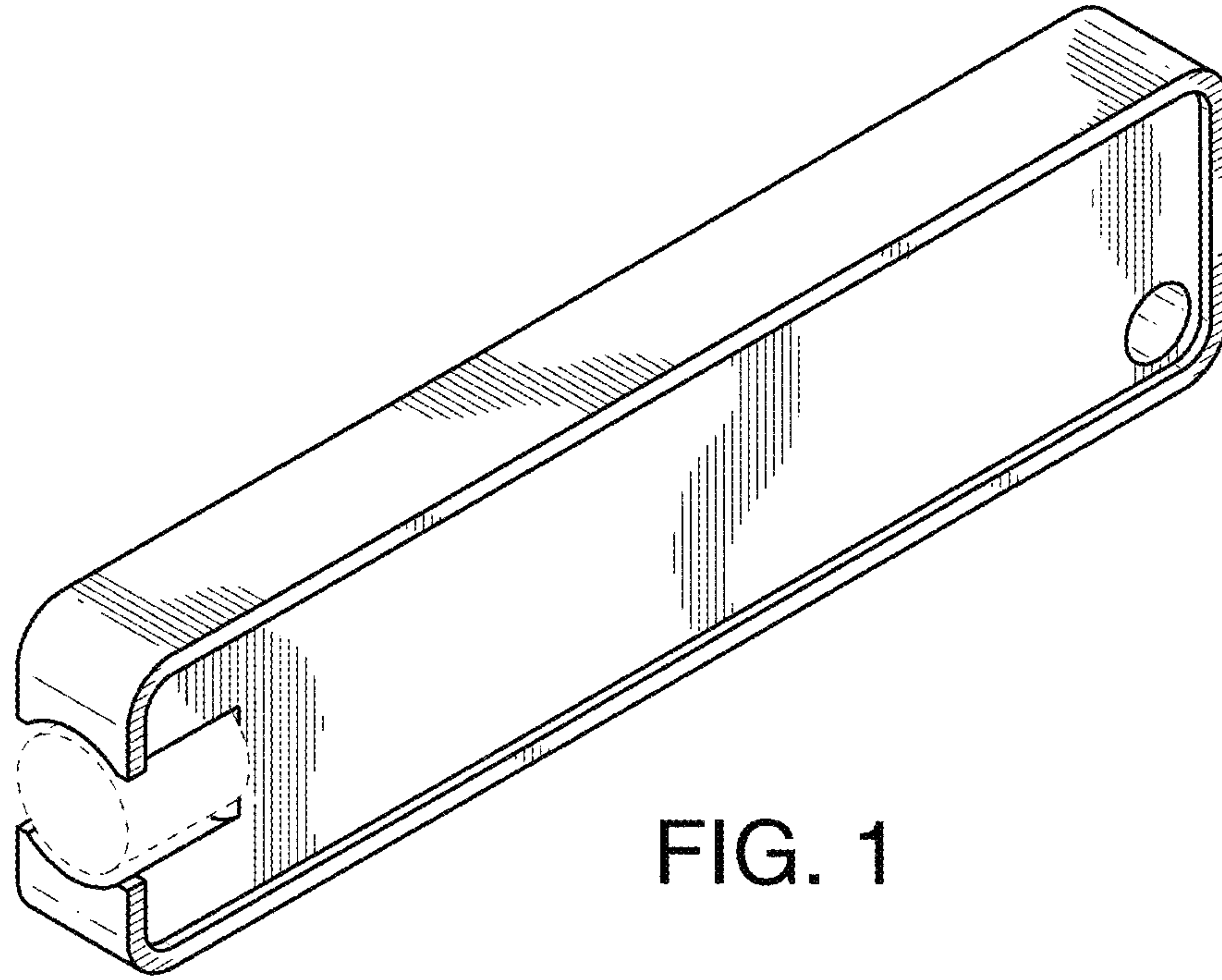


FIG. 1

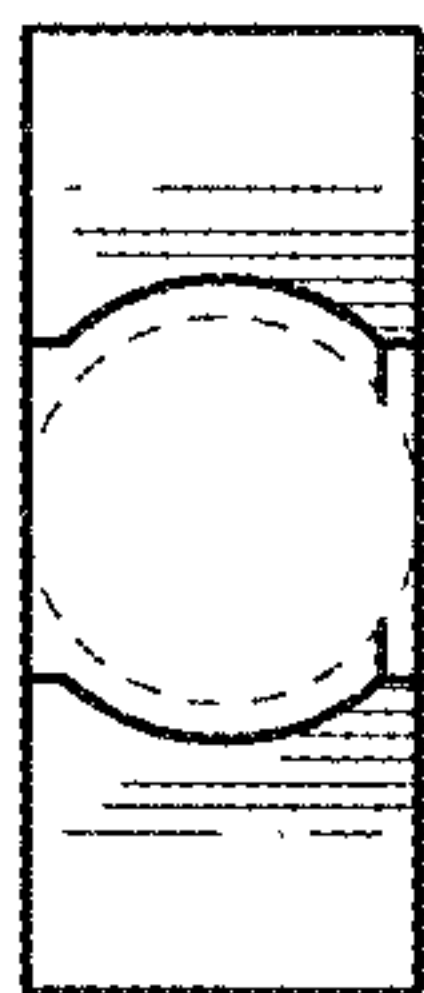


FIG. 2



FIG. 3



FIG. 4

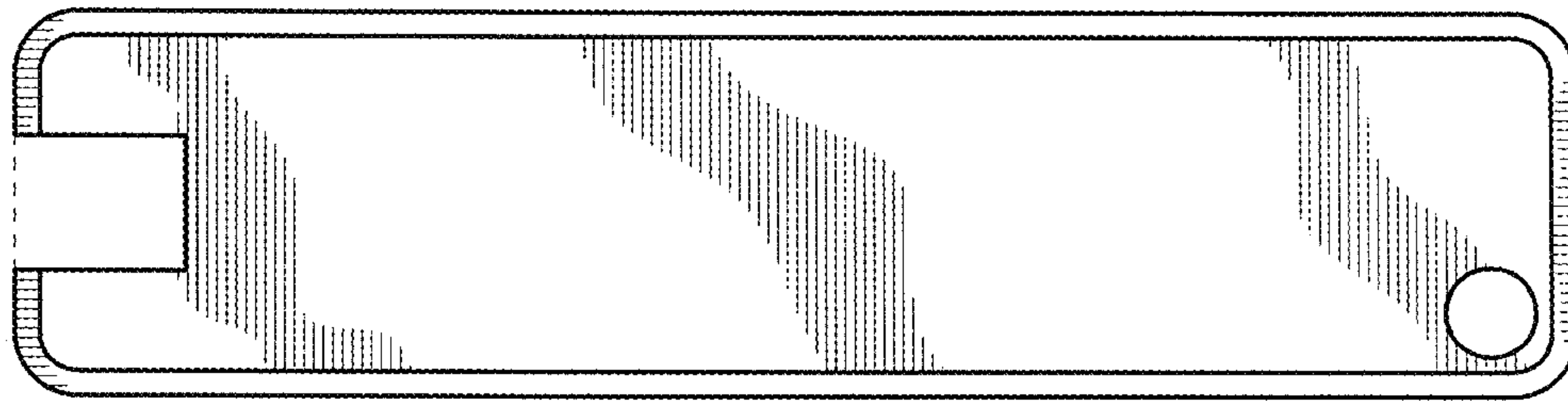


FIG. 5

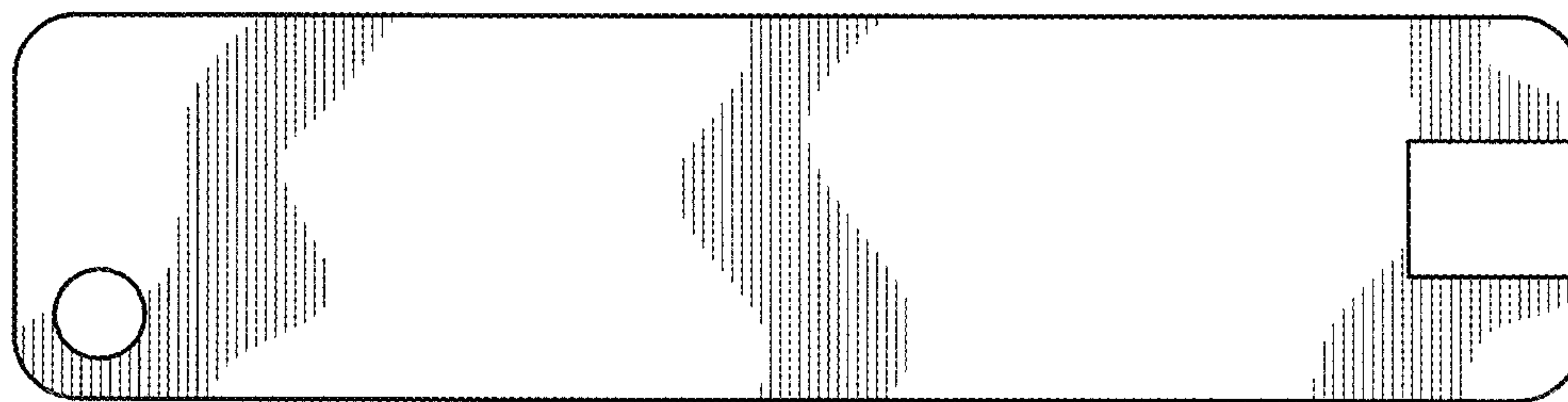


FIG. 6



FIG. 7



FIG. 8