



US00D908337S

(12) **United States Design Patent**
Troufanov

(10) **Patent No.:** **US D908,337 S**

(45) **Date of Patent:** **** Jan. 26, 2021**

(54) **SHOE**

(71) Applicant: **NIKE, Inc.**, Beaverton, OR (US)

(72) Inventor: **Nikita A. Troufanov**, Portland, OR (US)

(73) Assignee: **NIKE, Inc.**, Beaverton, OR (US)

(**) Term: **15 Years**

(21) Appl. No.: **29/704,001**

(22) Filed: **Aug. 30, 2019**

(51) **LOC (13) Cl.** **02-99**

(52) **U.S. Cl.**
USPC **D2/972**

(58) **Field of Classification Search**
USPC D2/896, 902, 903, 905, 907, 916, 943,
D2/946, 969, 972, 973, 976, 978
CPC .. A43B 3/00; A43B 3/12; A43B 3/122; A43B
3/124; A43B 3/126; A43B 3/16; A43B
3/163; A43B 3/166; A43B 1/00; A43B
1/10; A43B 1/12; A43B 1/14; A43B 5/00;
A43B 5/001; A43B 5/002; A43B 5/003;
A43B 5/007; A43B 5/008; A43B 5/02;
A43B 5/06; A43B 5/08; A43B 5/10;
A43B 5/12; A43B 5/14; A43B 5/18;
A43B 23/00; A43B 23/02; A43B
23/0205; A43B 23/021; A43B 23/0215
See application file for complete search history.

(56) **References Cited**

U.S. PATENT DOCUMENTS

D155,950 S	*	11/1949	Williams	D2/916
D322,879 S		1/1992	Hatfield		
D328,517 S	*	8/1992	Hallenbeck	D2/978
D343,724 S		2/1994	Smith		
D370,555 S	*	6/1996	Tong	D2/916
D383,513 S	*	9/1997	Ryan	D2/973

D385,102 S	*	10/1997	Avar	D2/946
D527,873 S	*	9/2006	Schoenborn	D2/916
D534,716 S	*	1/2007	Matis	D2/969
D534,717 S	*	1/2007	Matis	D2/969
D535,091 S	*	1/2007	Matis	D2/969
D545,051 S	*	6/2007	Roulo	D2/972
D547,045 S	*	7/2007	Belley	D2/916
D547,538 S	*	7/2007	Belley	D2/916
D563,662 S	*	3/2008	St-Louis	D2/972
7,823,299 B1	*	11/2010	Brigham	A43B 3/105 36/101
D642,360 S	*	8/2011	Hansen	D2/916
D769,601 S		10/2016	Hardman		
9,480,299 B2	*	11/2016	Dinndorf	A43B 23/0275
D802,280 S		11/2017	Comeaux		
D813,522 S	*	3/2018	Cin	D2/973
D832,566 S	*	11/2018	Kuerbis	D2/972
D838,463 S		1/2019	Durflinger		

(Continued)

Primary Examiner — Elizabeth J Oswecki

(74) *Attorney, Agent, or Firm* — Banner & Witcoff, Ltd.

(57) **CLAIM**

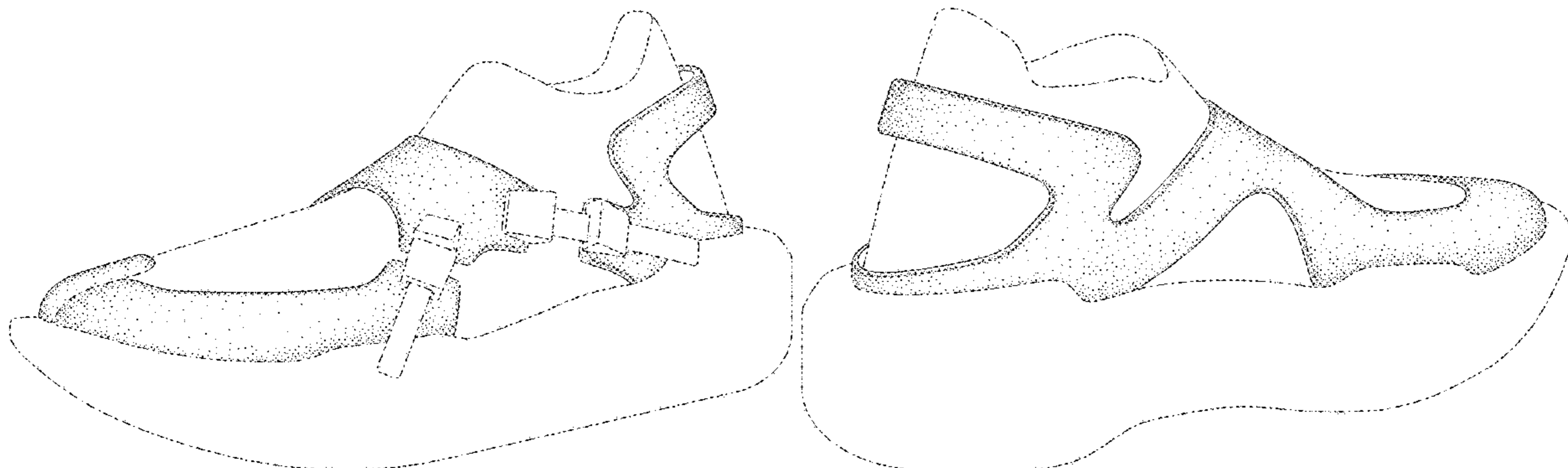
The ornamental design for a shoe, as shown and described.

DESCRIPTION

FIG. 1 is a front perspective view of a shoe showing my new design;
FIG. 2 is a side view thereof;
FIG. 3 is a front view thereof;
FIG. 4 is an opposite side view thereof;
FIG. 5 is a rear perspective view thereof;
FIG. 6 is a rear view thereof; and,
FIG. 7 is a top view thereof.

The broken line showing of the straps and buckles form no part of the claimed design. The broken lines immediately adjacent to the shaded area define the bounds of the claimed design and form no part thereof. The broken lines depicting the remainder of the shoe show features that form no part of the claimed design.

1 Claim, 7 Drawing Sheets



(56)

References Cited

U.S. PATENT DOCUMENTS

D840,663 S * 2/2019 Flanagan A43B 11/00
D2/972
D854,303 S * 7/2019 Flanagan A43B 11/00
D2/972
D865,346 S * 11/2019 Han D2/972
D867,744 S * 11/2019 Chang D2/973
D872,448 S * 1/2020 Young D2/972
D882,930 S * 5/2020 Seamarks D2/972
D882,932 S * 5/2020 Seamarks D2/972
D886,442 S * 6/2020 Lam D2/973
D888,400 S * 6/2020 O'Connor D2/972
D897,658 S * 10/2020 DeAlmeida D2/973
D898,337 S * 10/2020 DeAlmeida D2/973
D899,063 S * 10/2020 Panian D2/972
2011/0016751 A1 * 1/2011 Somerville A43B 3/126
36/105
2018/0110292 A1 * 4/2018 Beers A43B 13/181

* cited by examiner

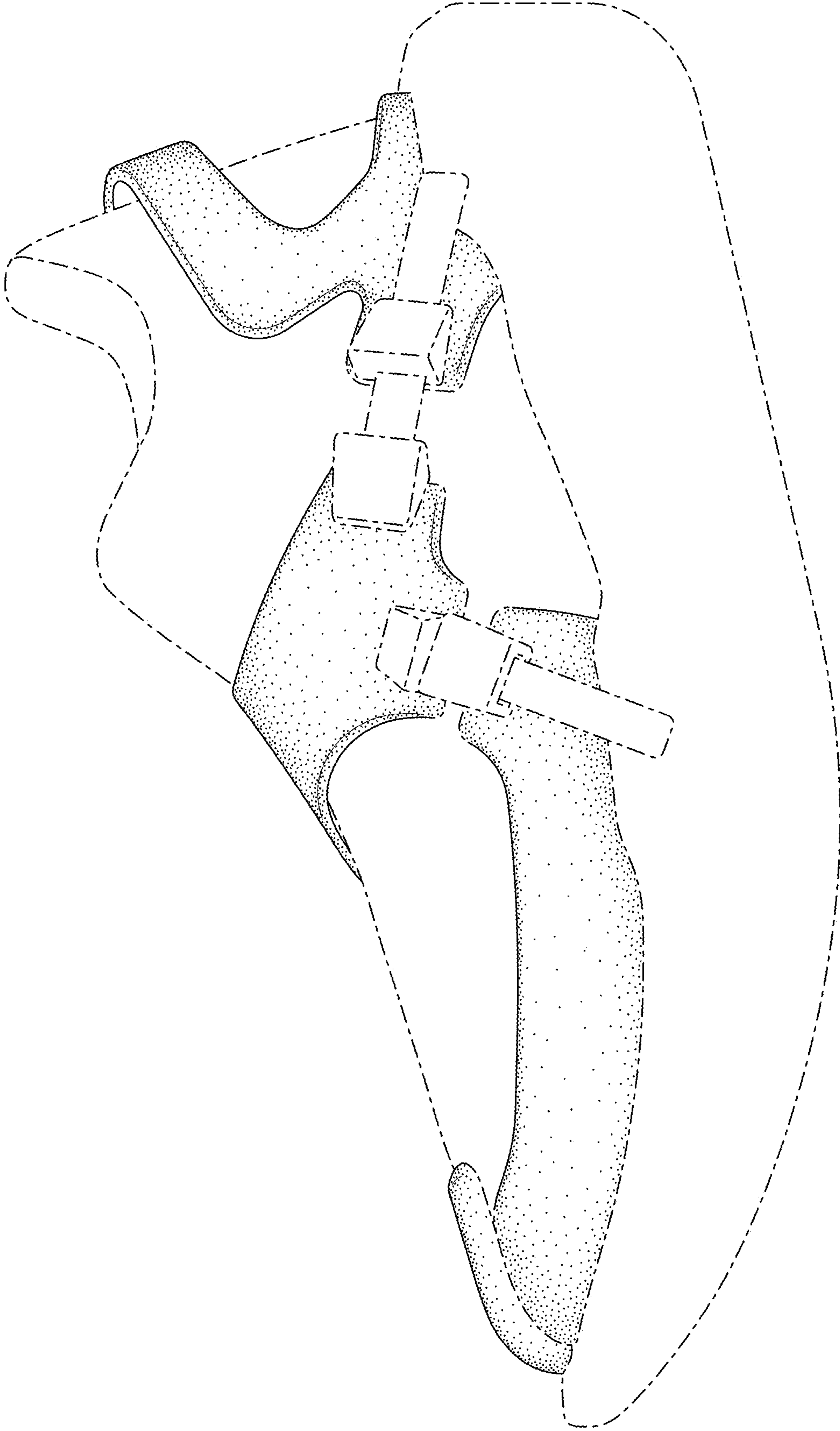


FIG. 1

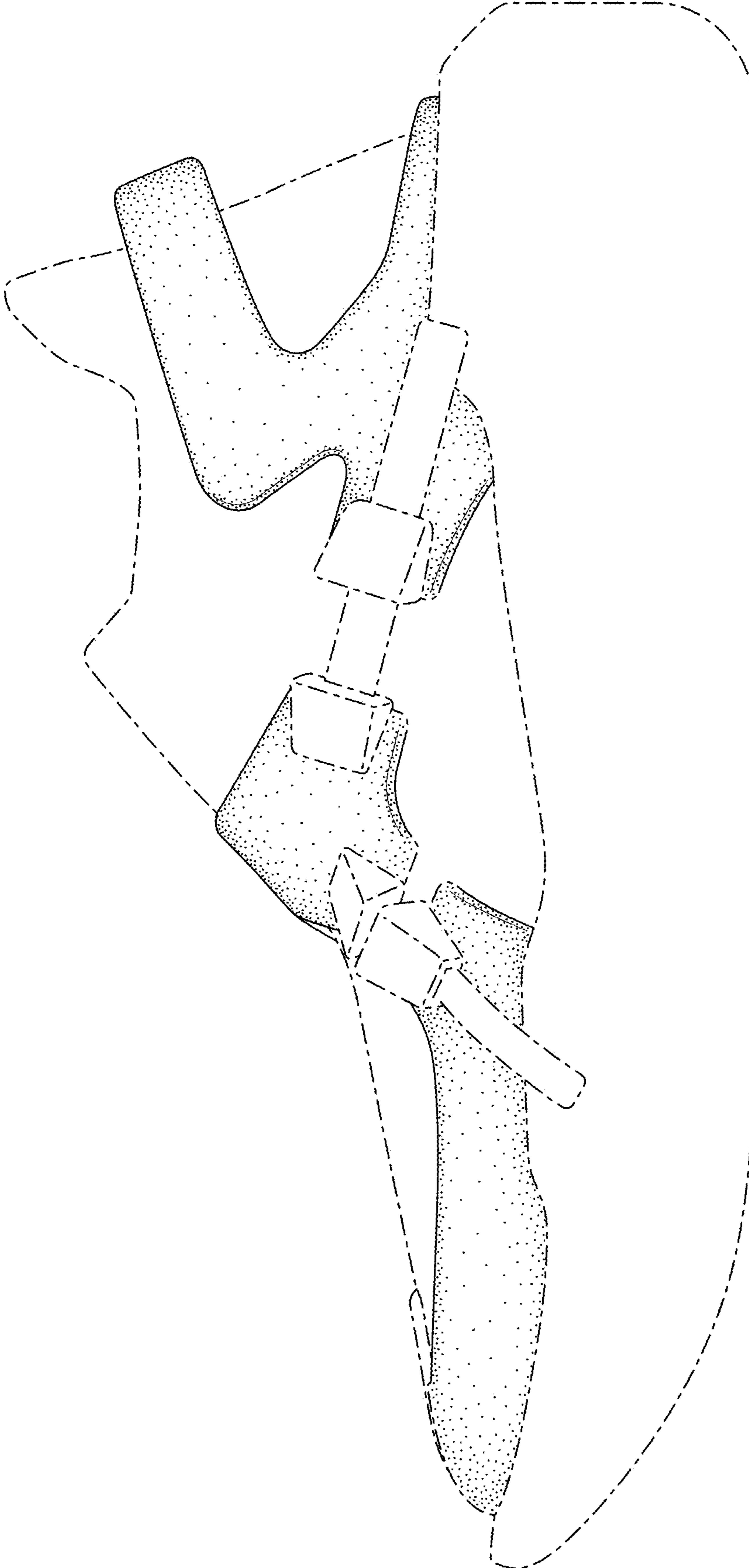


FIG. 2

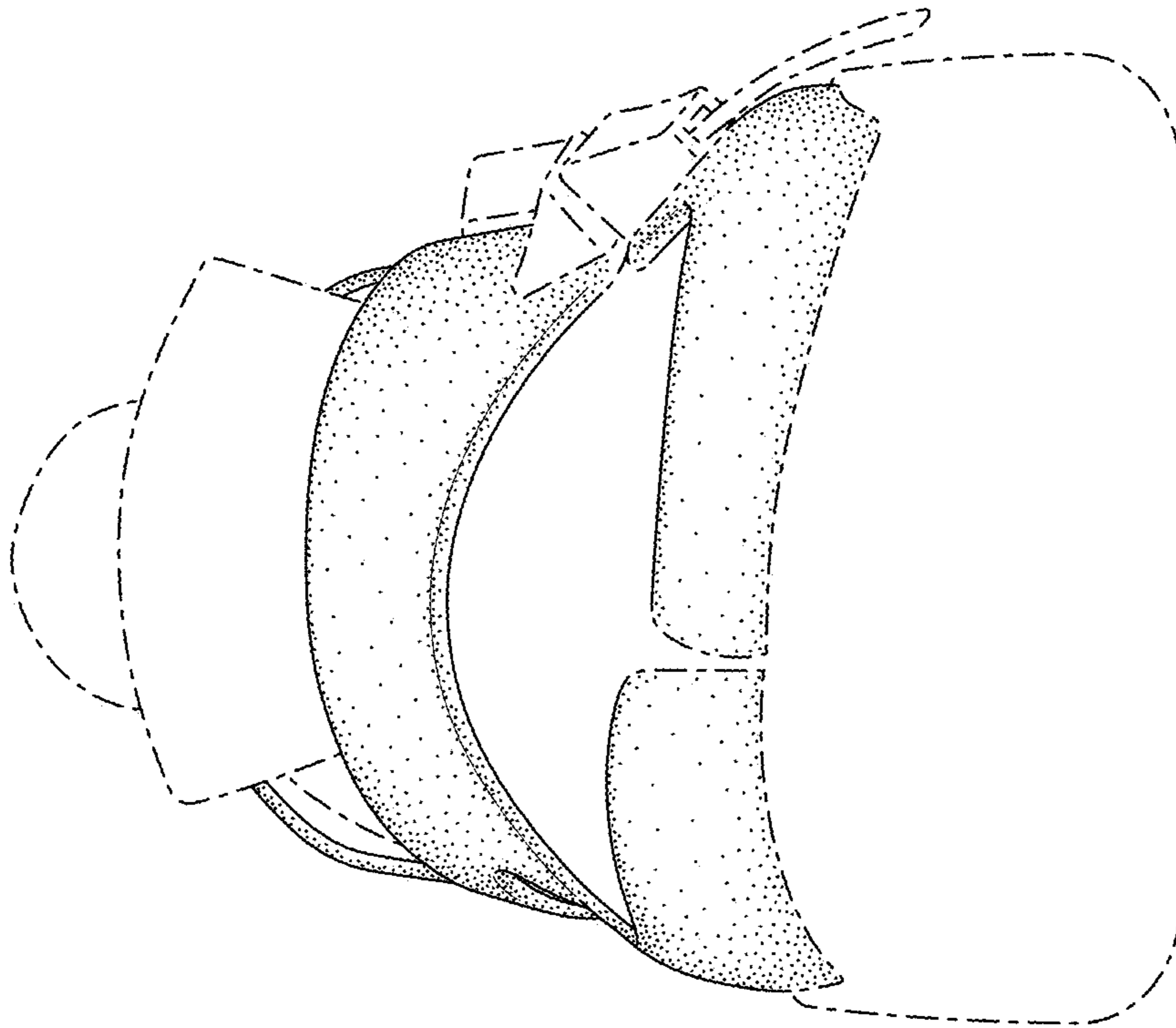


FIG. 3

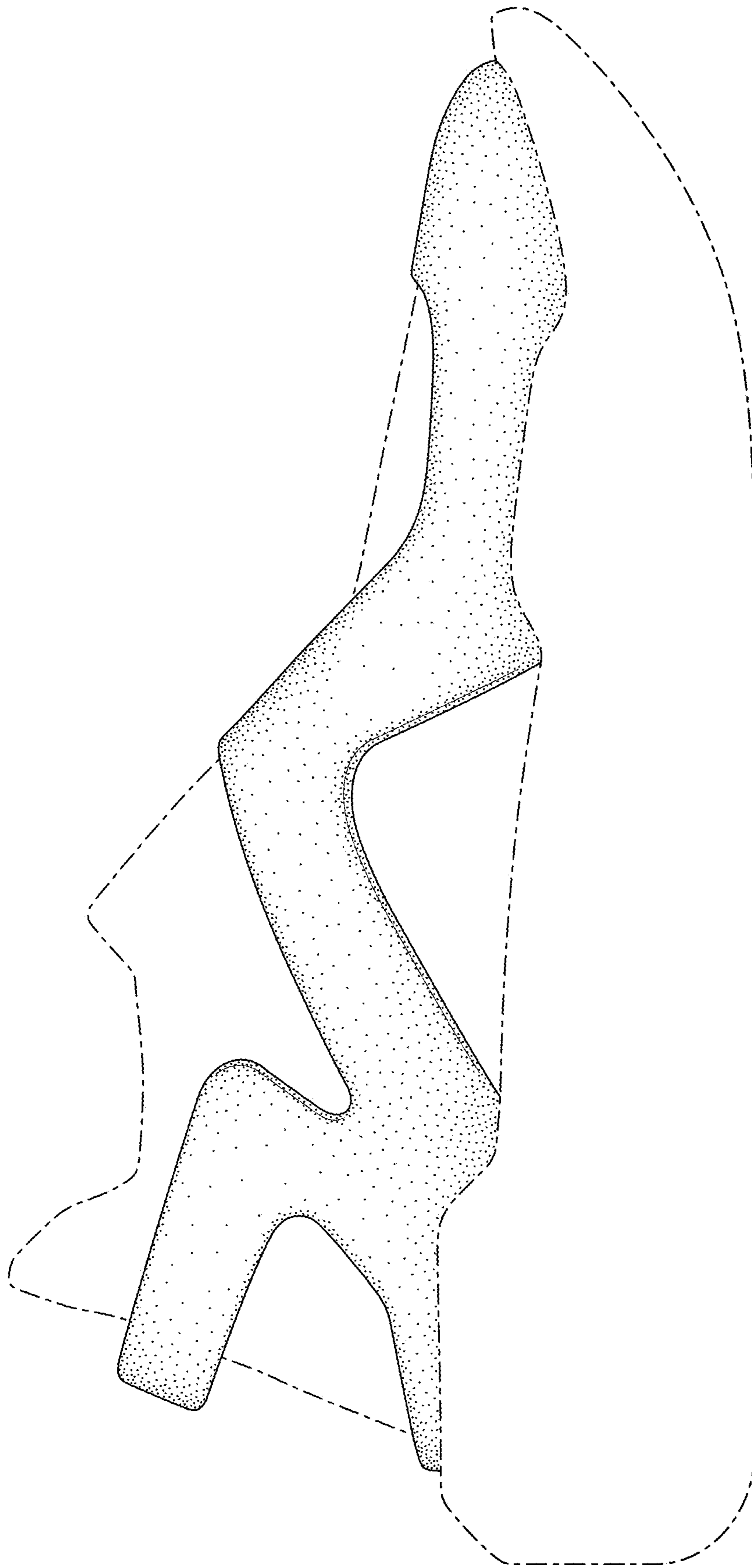


FIG. 4

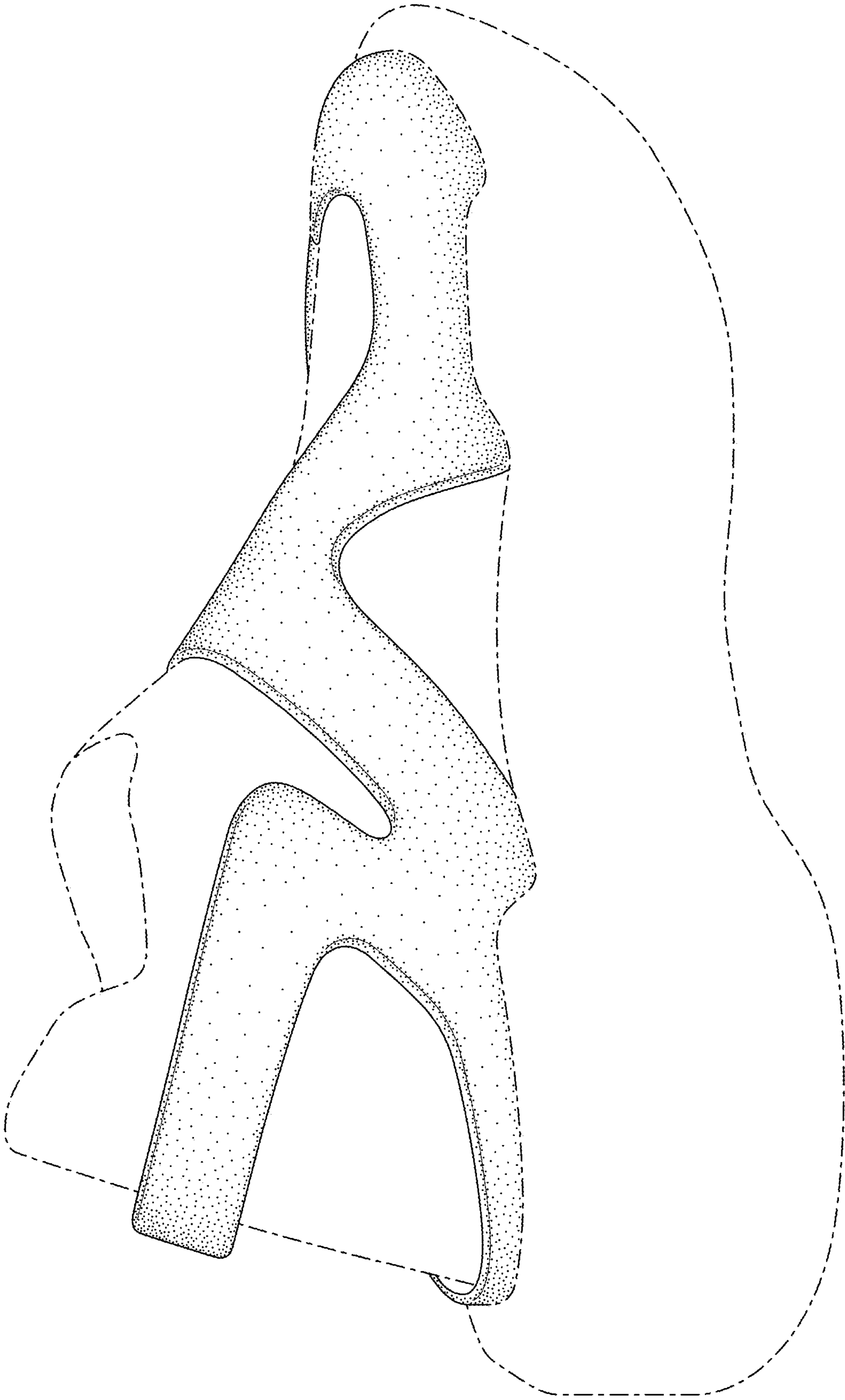


FIG. 5

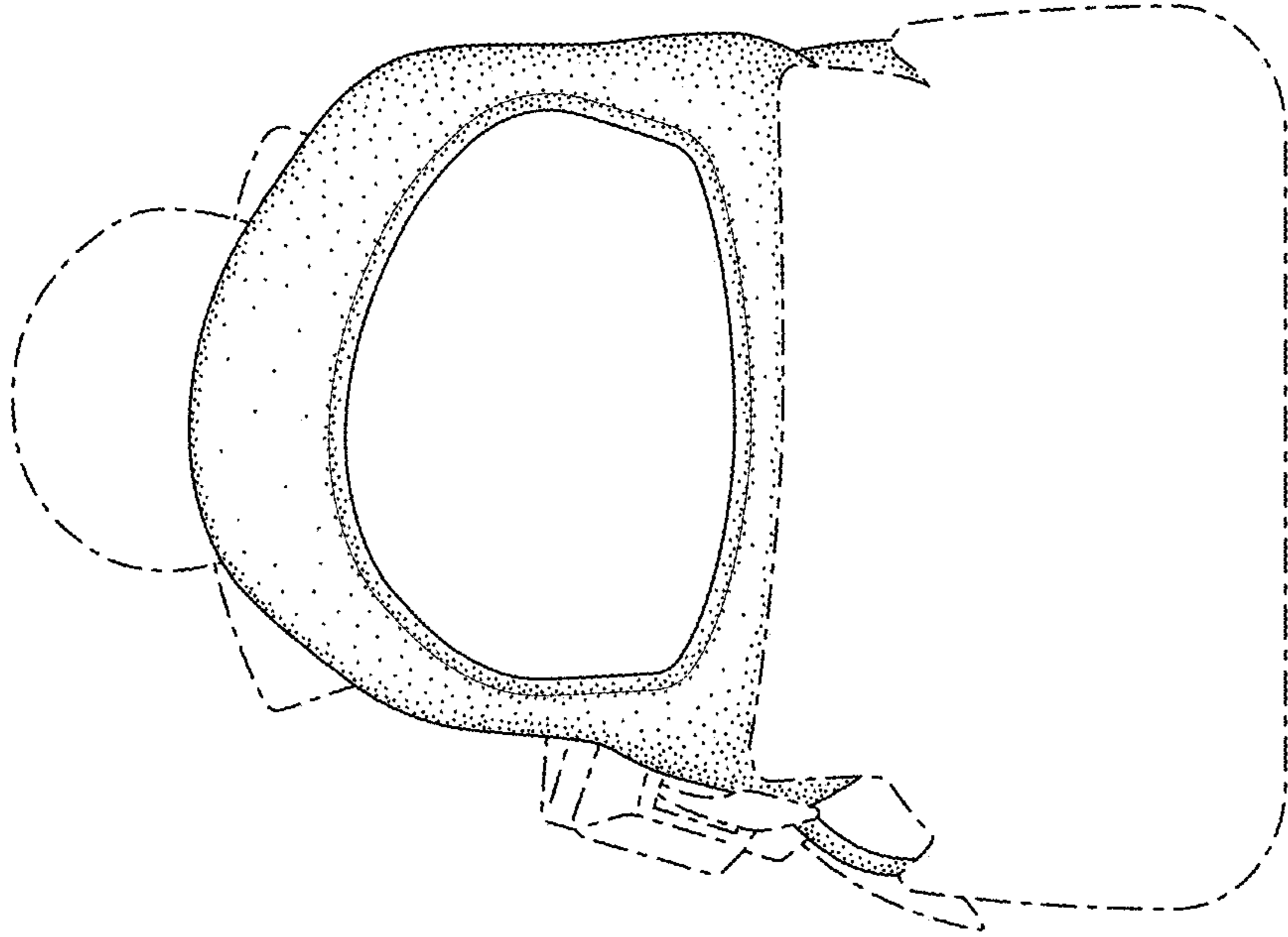


FIG. 6

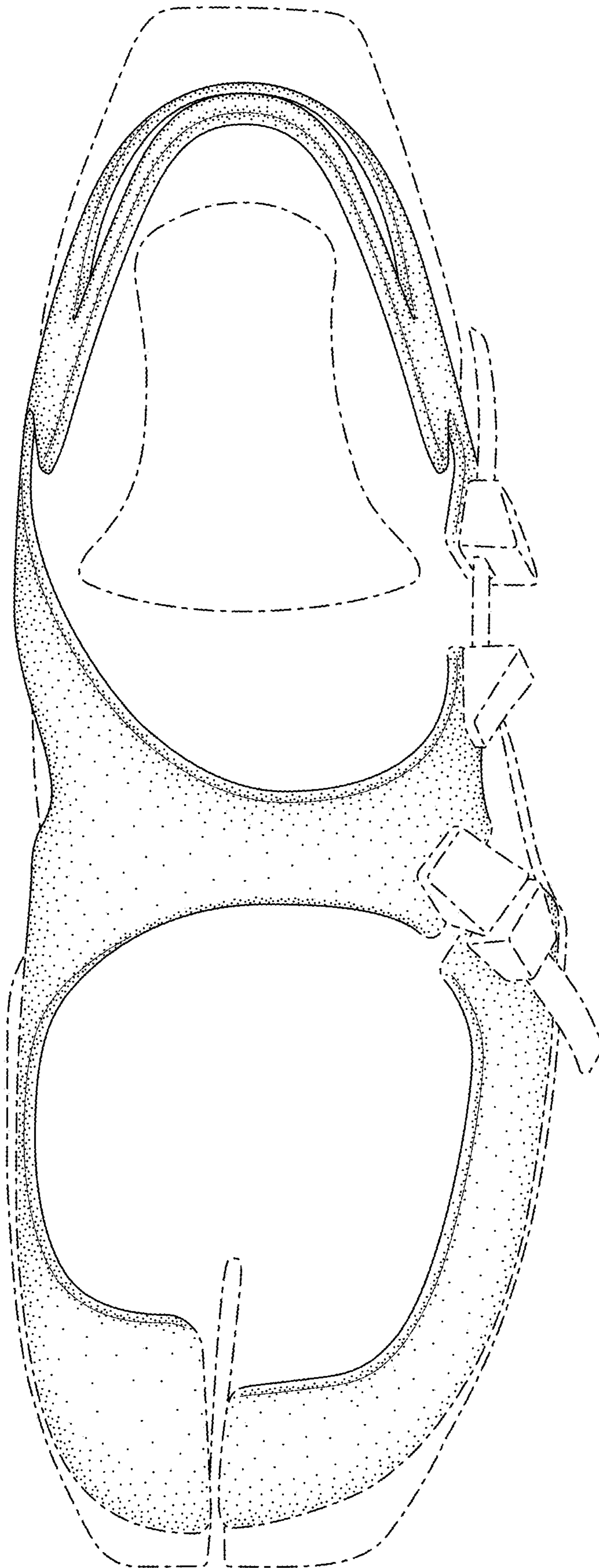


FIG. 7