



US00D908324S

(12) **United States Design Patent**
Kim

(10) **Patent No.:** **US D908,324 S**

(45) **Date of Patent:** **** Jan. 26, 2021**

(54) **COVER FOR SHOE PROTECTION**

(71) Applicant: **Bum Suk Kim**, Bucheon-si (KR)

(72) Inventor: **Bum Suk Kim**, Bucheon-si (KR)

(**) Term: **15 Years**

(21) Appl. No.: **29/690,880**

(22) Filed: **May 13, 2019**

(30) **Foreign Application Priority Data**

Nov. 13, 2018 (KR) 30-2018-0052390

(51) **LOC (13) Cl.** **02-02**

(52) **U.S. Cl.**
USPC **D2/946**

(58) **Field of Classification Search**
USPC D2/896, 902, 906-909, 914, 943-945,
D2/961, 962, 969, 970, 972-974, 976,
D2/977
CPC A43B 5/06; A43B 5/10; A43B 5/12; A43B
5/185; A43B 23/081; A43B 23/087; A43B
23/22; A43B 23/227
See application file for complete search history.

(56) **References Cited**

U.S. PATENT DOCUMENTS

D336,972 S * 7/1993 Diaz D2/901
5,421,106 A * 6/1995 Emrick A43B 3/0031
36/136
D378,470 S * 3/1997 McDaniel D2/909
D388,244 S * 12/1997 Serna D2/972

5,855,078 A * 1/1999 Starker A43B 5/145
36/131
D442,772 S * 5/2001 Dietrich A43B 5/145
D2/972
D522,217 S * 6/2006 Williams D2/901
D611,684 S * 3/2010 Bell A43B 3/0031
D2/901
D641,962 S * 7/2011 Daniels D2/909

* cited by examiner

Primary Examiner — Kevin K Rudzinski

Assistant Examiner — Clare Ann Gannon

(74) *Attorney, Agent, or Firm* — Revolution IP, PLLC

(57) **CLAIM**

The ornamental design for a cover for shoe protection, as shown and described.

DESCRIPTION

FIG. 1 is a front perspective view of a cover for shoe protection showing the claimed design;
FIG. 2 is a front view thereof;
FIG. 3 is a rear view thereof;
FIG. 4 is a left side view thereof;
FIG. 5 is a right side view thereof;
FIG. 6 is a top view thereof;
FIG. 7 is a bottom view thereof; and,
FIG. 8 is a bottom perspective view thereof.
The break lines shown in FIGS. 1 and 4-8 symbolize breaks in the length of the article in which the claimed design is embodied. The appearance of any portion of the cover for shoe protection between the break lines forms no part of the claimed design.

1 Claim, 6 Drawing Sheets

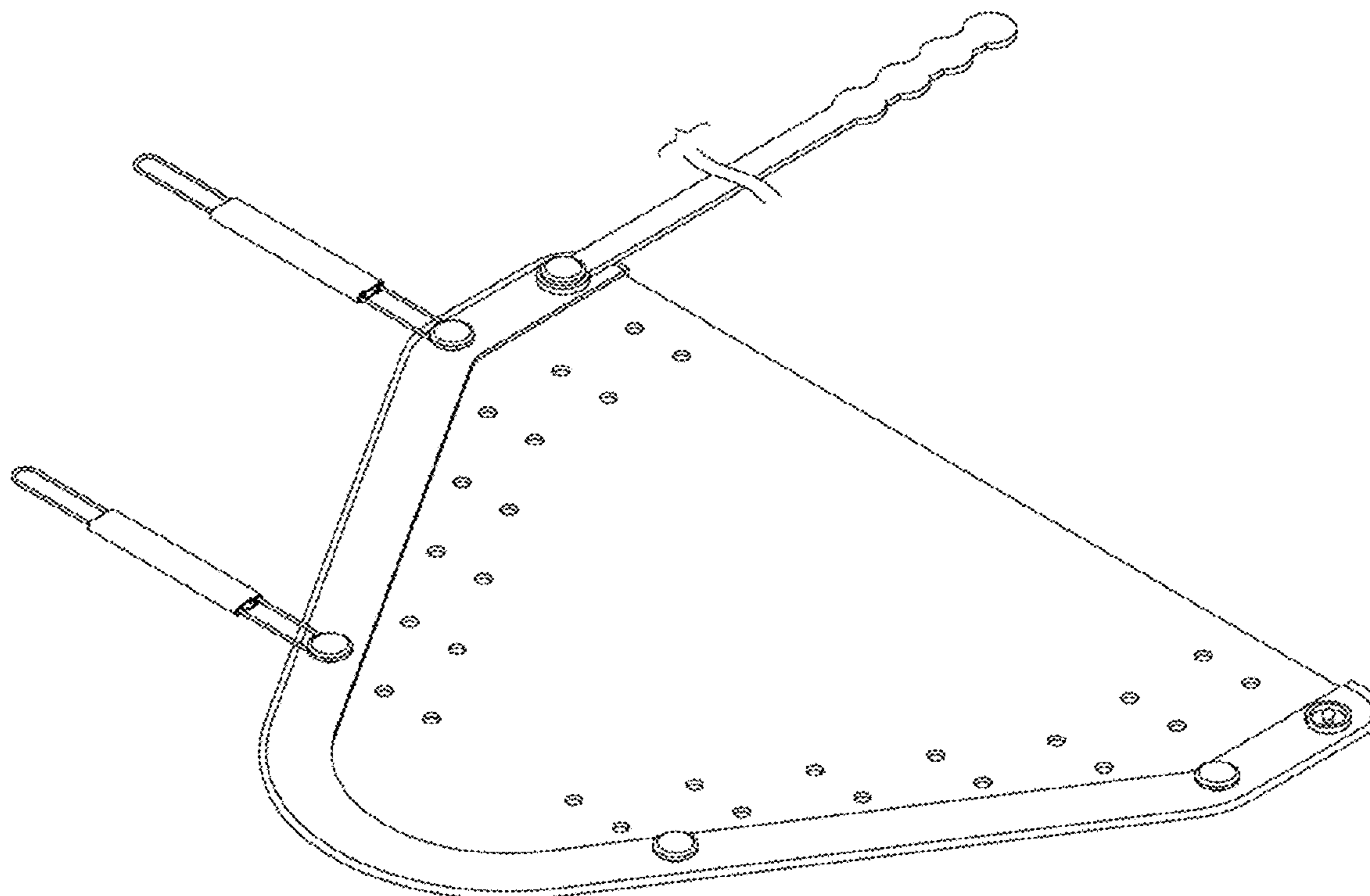


FIG. 1

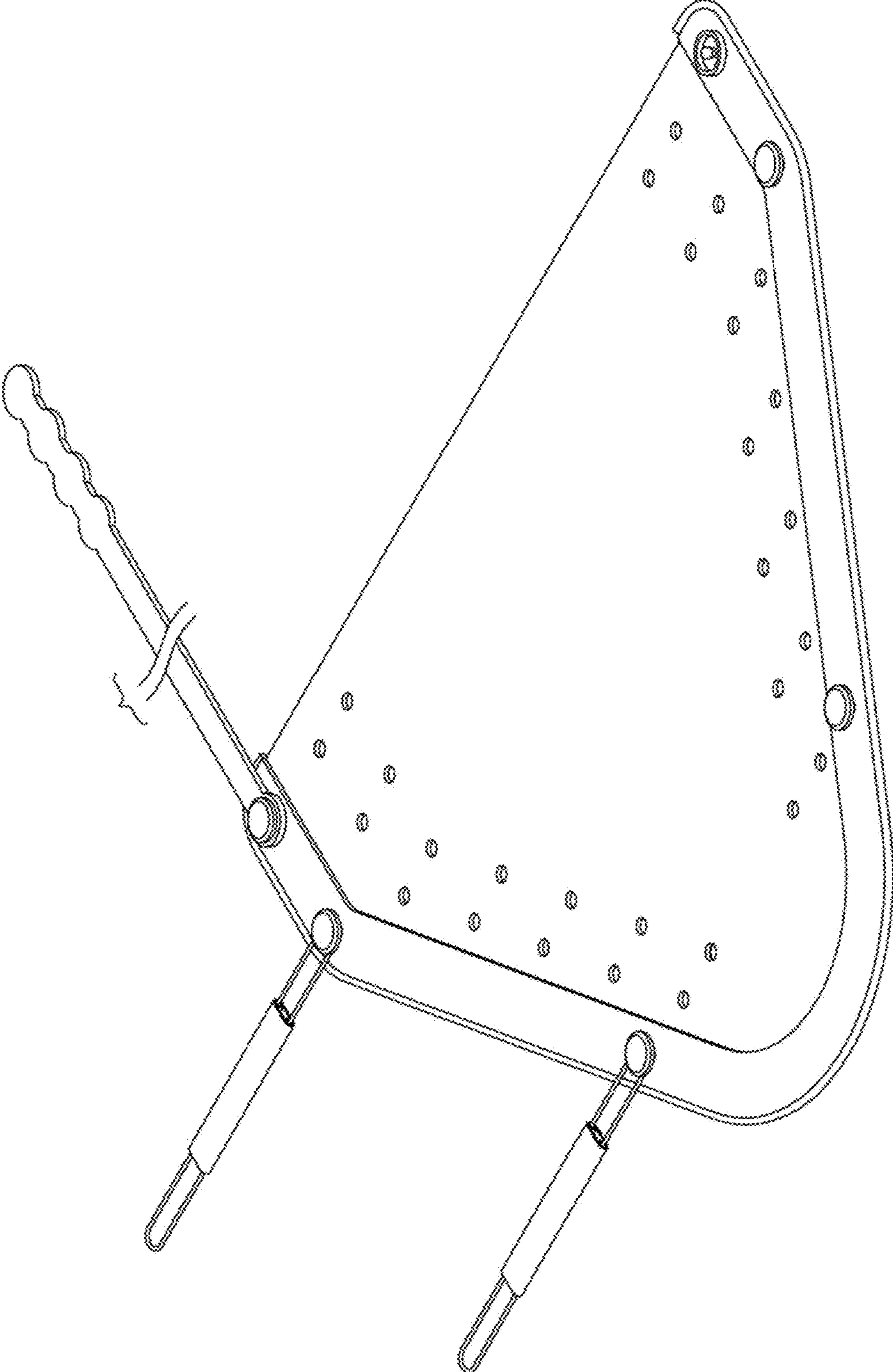


FIG. 2

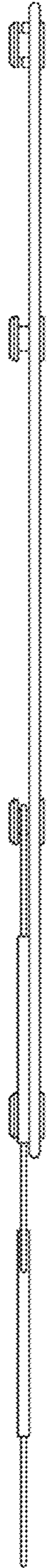


FIG. 3



FIG. 4

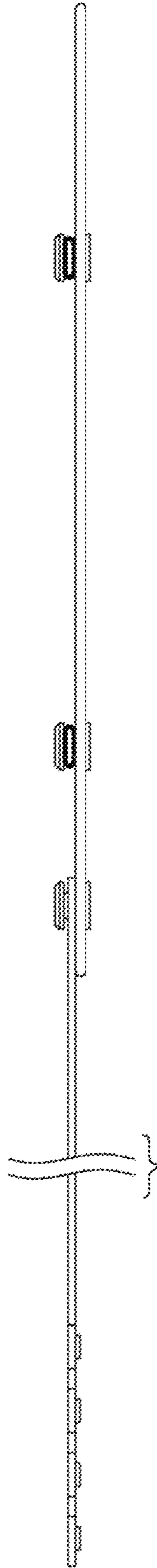


FIG. 5

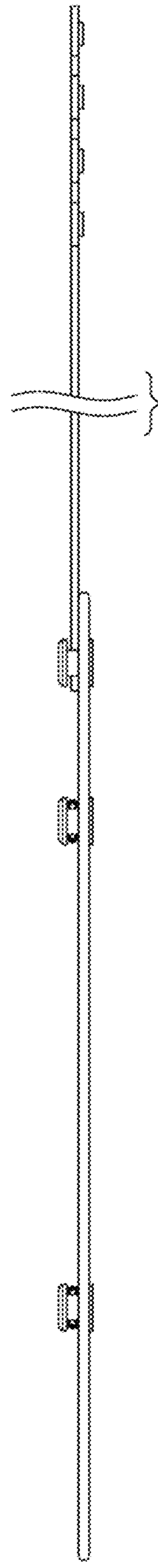


FIG. 6

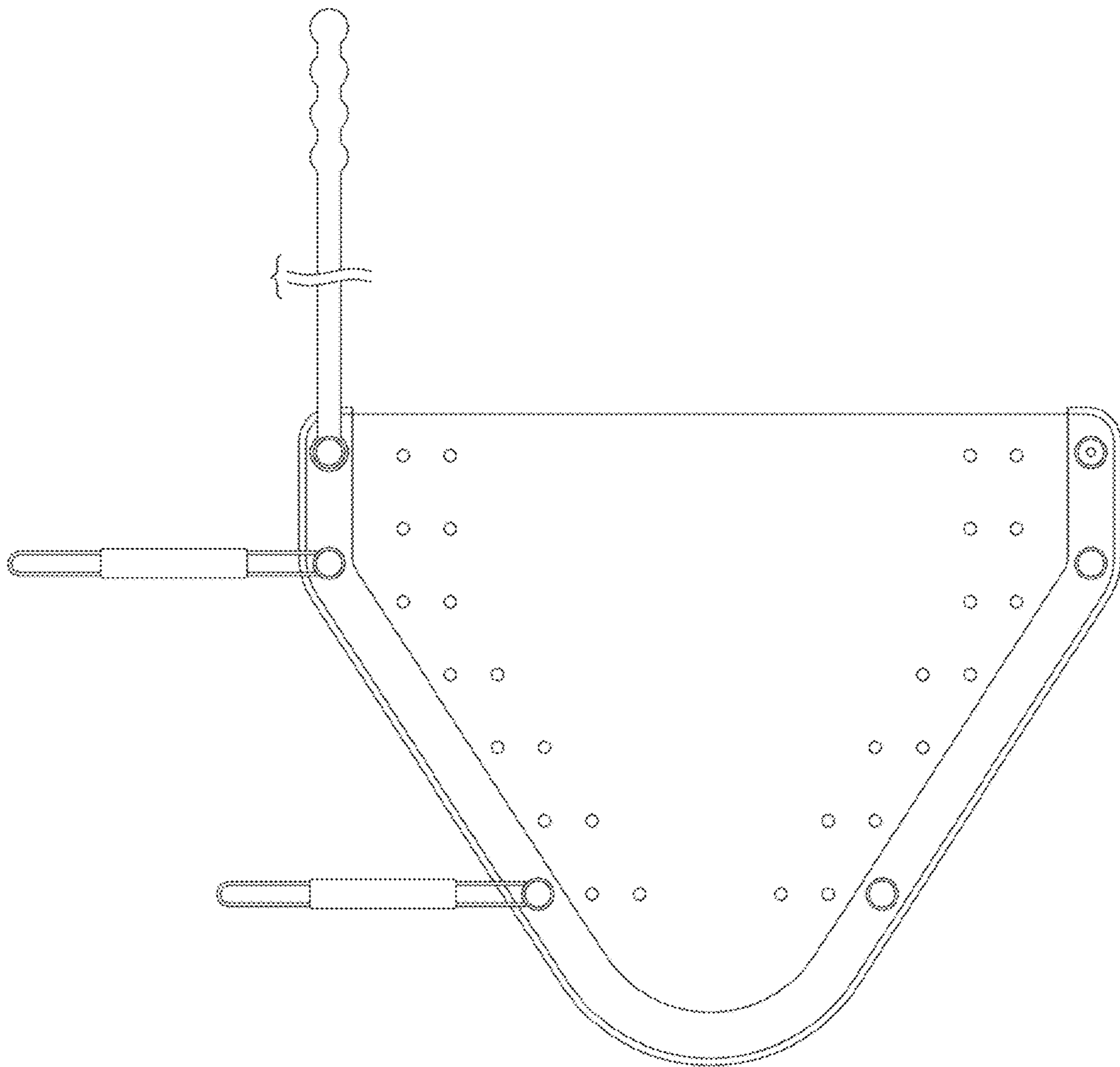


FIG. 7

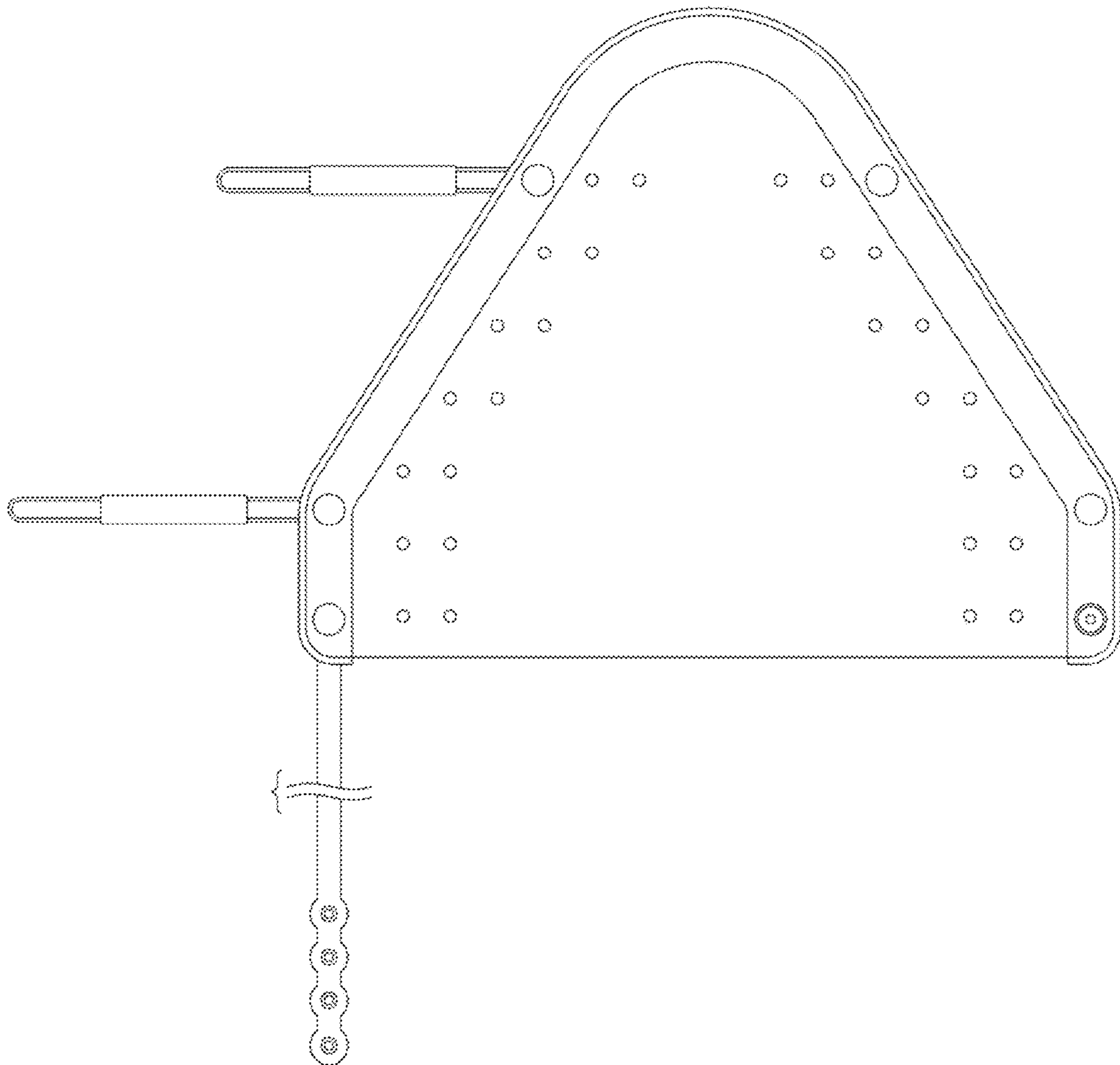


FIG. 8

