



US00D908320S

(12) **United States Design Patent**
Sonntag

(10) **Patent No.:** **US D908,320 S**

(45) **Date of Patent:** **** Jan. 26, 2021**

(54) **HOODED GARMENT**

(71) Applicant: **PGI, Inc.**, Green Lake, WI (US)

(72) Inventor: **James A. Sonntag**, Green Lake, WI (US)

(73) Assignee: **PGI, Inc.**, Green Lake, WI (US)

(**) Term: **15 Years**

(21) Appl. No.: **29/704,149**

(22) Filed: **Sep. 3, 2019**

(51) **LOC (13) Cl.** **02-03**

(52) **U.S. Cl.**
USPC **D2/878**

(58) **Field of Classification Search**
USPC D2/728, 823, 824, 825, 828, 831, 865,
D2/866, 867, 870, 874, 877, 878, 880,
D2/881, 883, 884, 889; D29/106, 107,
D29/108
CPC A41D 2200/20; A41D 2300/30; A41D
27/12; A41D 3/00; A41D 3/005; A41D
3/02; A41D 3/04; A41D 3/08; A42B 1/00;
A42B 1/02; A42B 1/04; A42B 1/041;
A42B 1/043; A42B 1/046; A42B 1/066;
A42B 1/061; A42B 1/201; A42B 1/22;
A42B 3/00; A42B 3/18; A42B 5/00;
A42B 7/00; A42B 17/003; A42B 17/005;
A42B 17/006; A42B 17/04

See application file for complete search history.

(56) **References Cited**

U.S. PATENT DOCUMENTS

D140,461 S * 2/1945 Butler D2/865
6,532,596 B1 * 3/2003 Fosmo A41B 13/10
2/202
6,766,534 B2 * 7/2004 Lewis A42B 1/048
2/84
D689,670 S * 9/2013 Lorenc D2/878
D762,348 S * 8/2016 Harris D2/854

D770,731 S * 11/2016 Norman D2/831
D843,689 S * 3/2019 Kinnear D2/828
D843,692 S * 3/2019 Greenblat D2/865
10,478,644 B2 * 11/2019 Leggett A42B 1/041
10,555,576 B2 * 2/2020 Brust A42B 1/045
D892,453 S * 8/2020 Glover D2/878
2013/0074244 A1 * 3/2013 Cole A42B 1/067
2/172

(Continued)

OTHER PUBLICATIONS

Cobra Elite Sure Fit Hood, [online]; [Wayback Machine crawl-back date internet publication date found for Feb. 22, 2013]; [retrieved on Sep. 8, 2020]; URL: https://web.archive.org/web/20130222054523/http://www.cobrahoods.com/index.php/hoods/cobra_elite_sure_fit_hood_3802093_SF/. (3 pages). (Year: 2013).*

Primary Examiner — Jasmine Mlinarcik
(74) *Attorney, Agent, or Firm* — Burr & Forman LLP;
Douglas L. Lineberry

(57) **CLAIM**

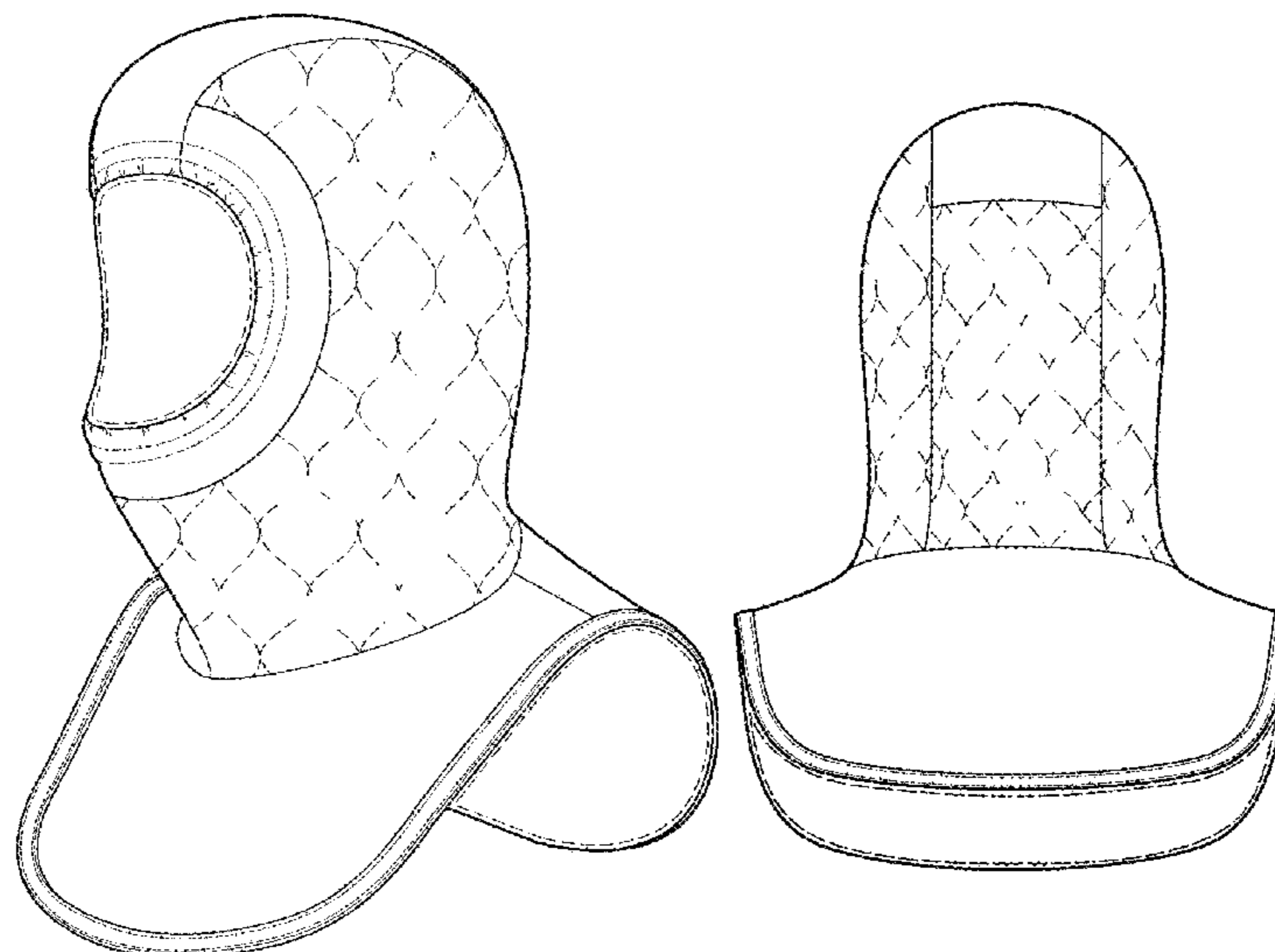
The ornamental design for a hooded garment, as shown and described.

DESCRIPTION

FIG. 1 is a front perspective of the hooded garment;
FIG. 2 is a front view of the hooded garment;
FIG. 3 is a back view of the hooded garment;
FIG. 4 is a left side view of the hooded garment, the right side being a mirror image to the left side view; and,
FIG. 5 is a top view of the hooded garment.

The short dashed broken lines around the bottom edge and opening for the face of the hooded garment depict claimed stitching. The larger dashed broken lines along the interior openings of the hooded garment define the extent of the claimed design and form no part of the claimed design. The shade lines that resemble a quilted pattern defined by broken lines applied to the surfaces of the hooded garment represent a contrast in appearance.

1 Claim, 3 Drawing Sheets



(56)

References Cited

U.S. PATENT DOCUMENTS

2018/0207453 A1* 7/2018 Barbeau B32B 5/024

* cited by examiner

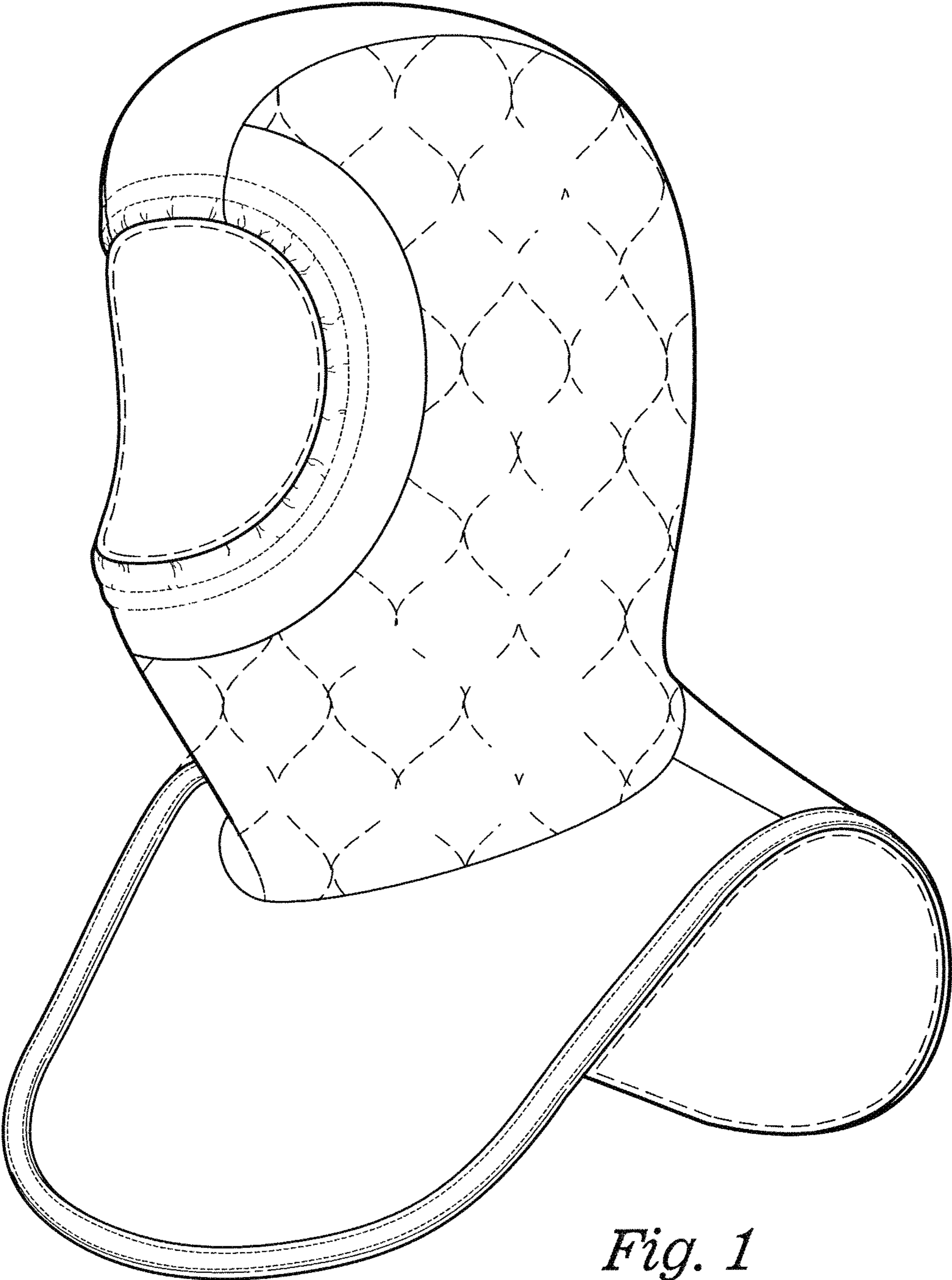


Fig. 1

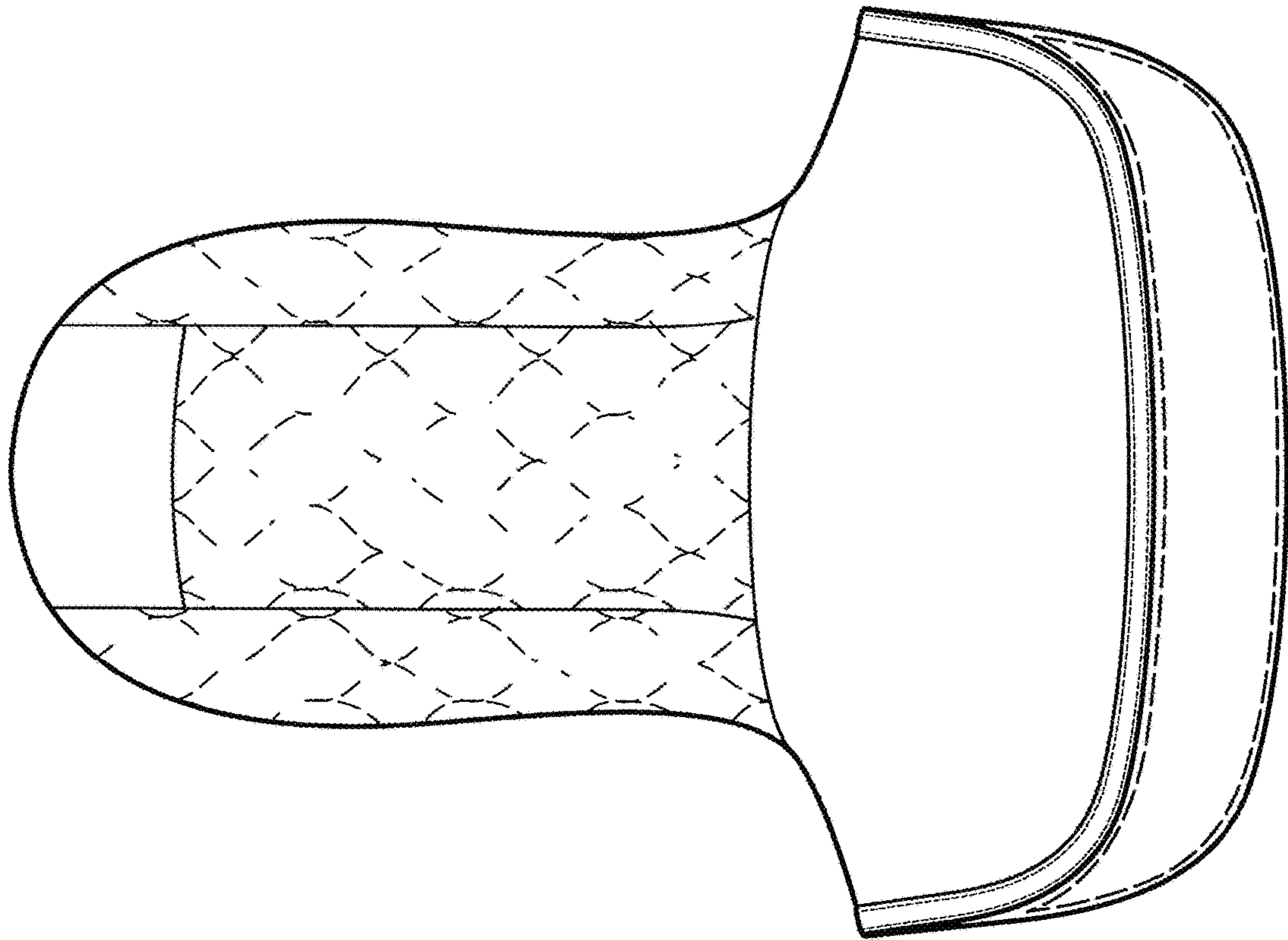


Fig. 3

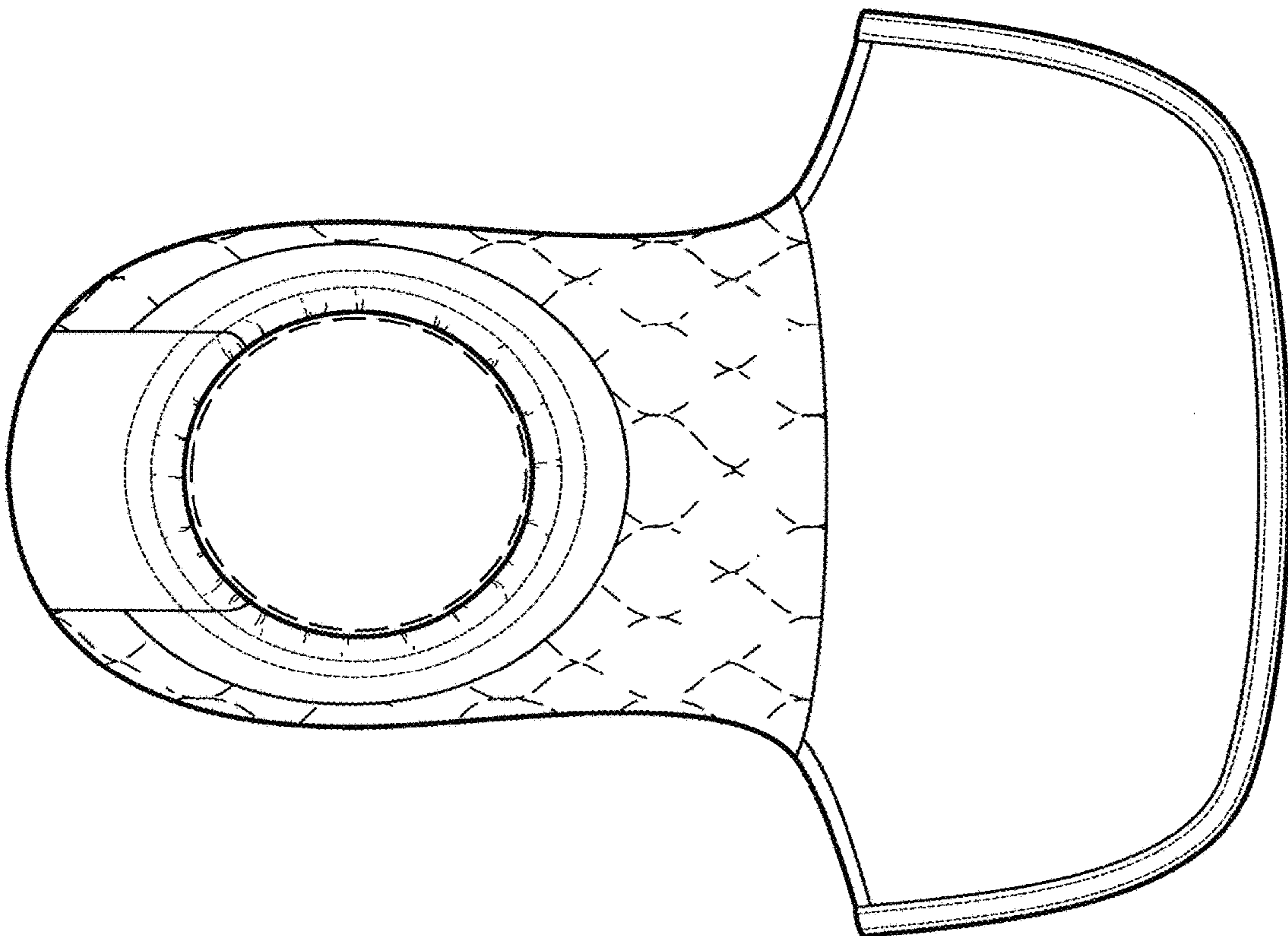


Fig. 2

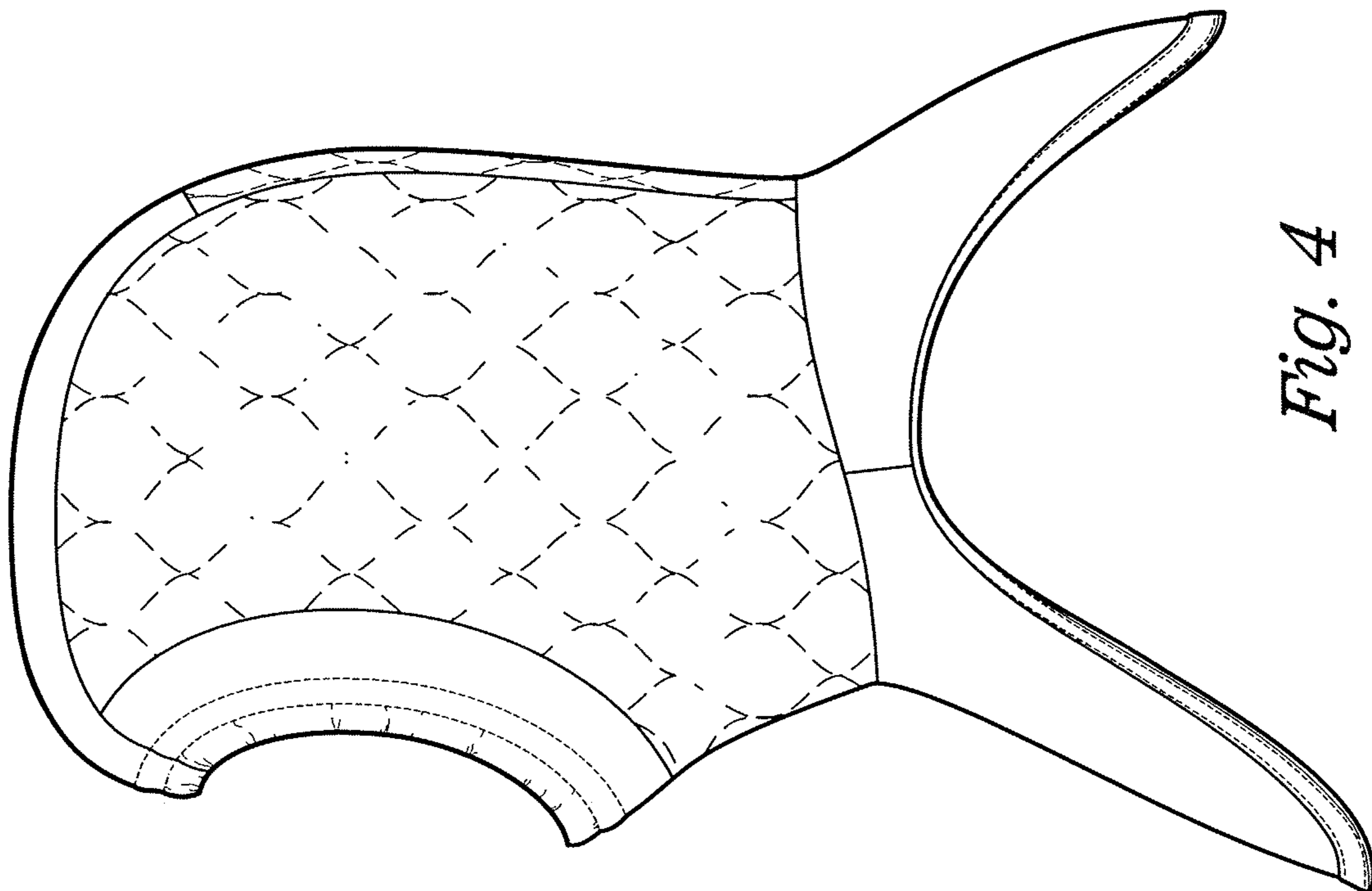


Fig. 4

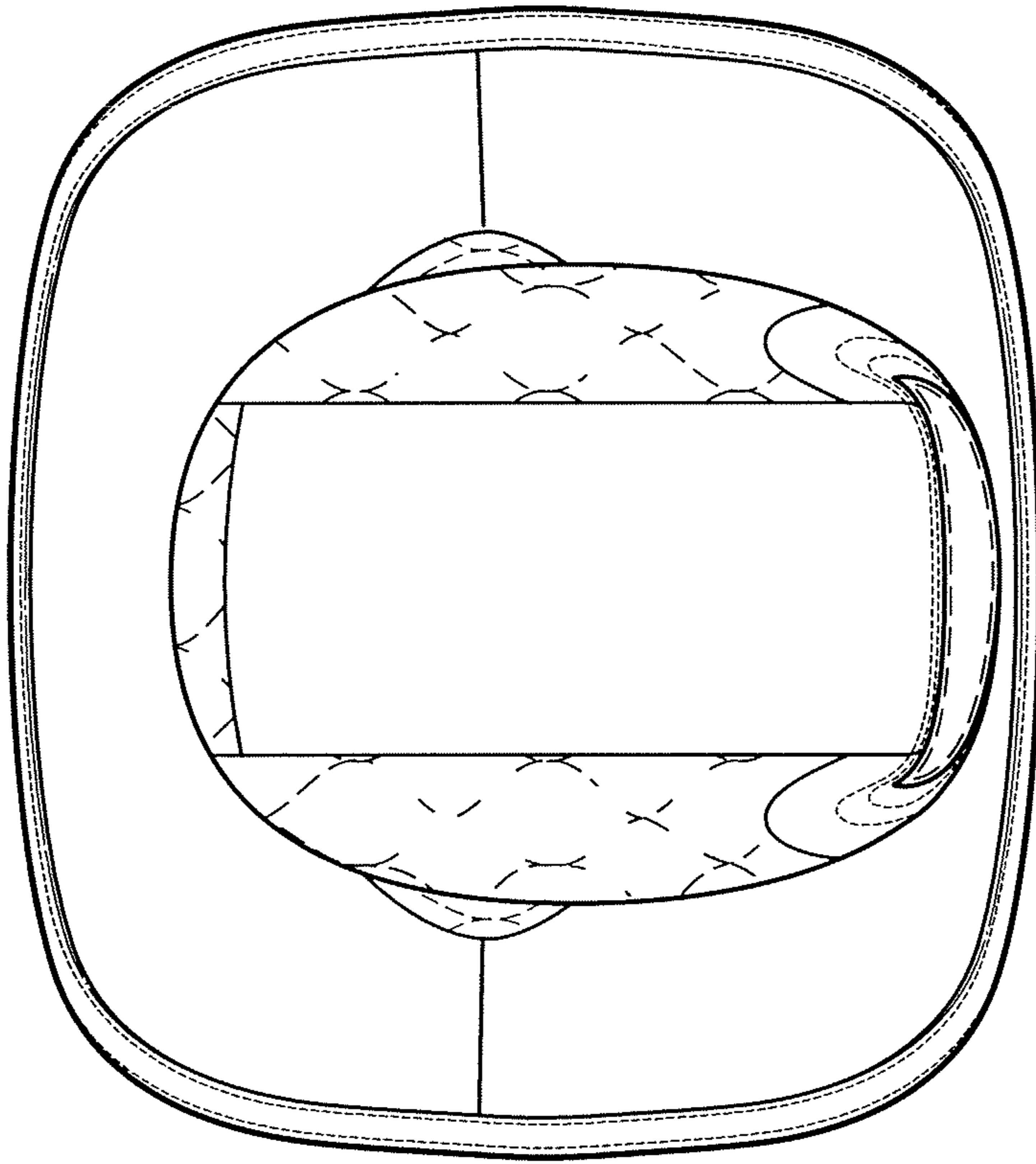


Fig. 5